



US00D905221S

(12) **United States Design Patent** (10) **Patent No.:** **US D905,221 S**  
**Gobber et al.** (45) **Date of Patent:** **\*\* Dec. 15, 2020**

- (54) **AIR FRESHENERS**
- (71) Applicant: **ZOBELE HOLDING SPA**, Trento (IT)
- (72) Inventors: **Cedric Gobber**, Barcelona (ES);  
**Joaquim Llorente Alonso**, Barcelona (ES)
- (73) Assignee: **ZOBELE HOLDING S.P.A.**, Trento (IT)
- (\*\*) Term: **15 Years**
- (21) Appl. No.: **29/654,740**
- (22) Filed: **Jun. 27, 2018**

D518,730 S *	4/2006	Caserta	.....	D23/366
D537,351 S *	2/2007	Caserta	.....	D9/522
D537,354 S *	2/2007	Caserta	.....	A61L 9/127
				D9/522
D542,662 S *	5/2007	Caserta	.....	A01M 1/2077
				D9/453
7,357,561 B2 *	4/2008	Hidalgo	.....	A01M 1/2077
				362/101
D579,777 S *	11/2008	Weggelaar	.....	D9/454
7,854,393 B2 *	12/2010	DiBello	.....	A61L 9/127
				239/34
D634,209 S *	3/2011	Myojin	.....	D9/453
D799,979 S *	10/2017	King	.....	D9/571
D806,218 S *	12/2017	Wynalda, Jr.	.....	D23/366
2005/0001053 A1 *	1/2005	Zobeles	.....	A61L 9/12
				239/44

\* cited by examiner

**Related U.S. Application Data**

- (62) Division of application No. 35/502,834, filed on Oct. 20, 2016 (U.S. filing date under 35 U.S.C. 384), and having an international filing date of Oct. 20, 2016, now Pat. No. Des. 834,169.

*Primary Examiner* — Sheryl Lane

*Assistant Examiner* — Calvin E Vansant

(74) *Attorney, Agent, or Firm* — Ostrolenk Faber LLP

**Foreign Application Priority Data**

- (30) Apr. 21, 2016 (ES) ..... 0523174
- (51) **LOC (12) Cl.** ..... **23-04**
- (52) **U.S. Cl.**  
USPC ..... **D23/366**
- (58) **Field of Classification Search**  
USPC ..... D23/208, 355–369, 386; D9/416, 424, D9/425  
CPC ..... A61L 9/02; A61L 9/03; A61L 9/12; A61L 9/035; A61L 9/125  
See application file for complete search history.

(57) **CLAIM**

The ornamental design for air fresheners, as shown and described.

**DESCRIPTION**

FIG. 1 is a top, front and left side perspective view illustration of an air freshener, according to an aspect of our new design.

FIG. 2 is a left side view illustration thereof.

FIG. 3 is a front view illustration thereof.

FIG. 4 is a right side view illustration thereof.

FIG. 5 is a top view illustration thereof; and,

FIG. 6 is a bottom view illustration thereof.

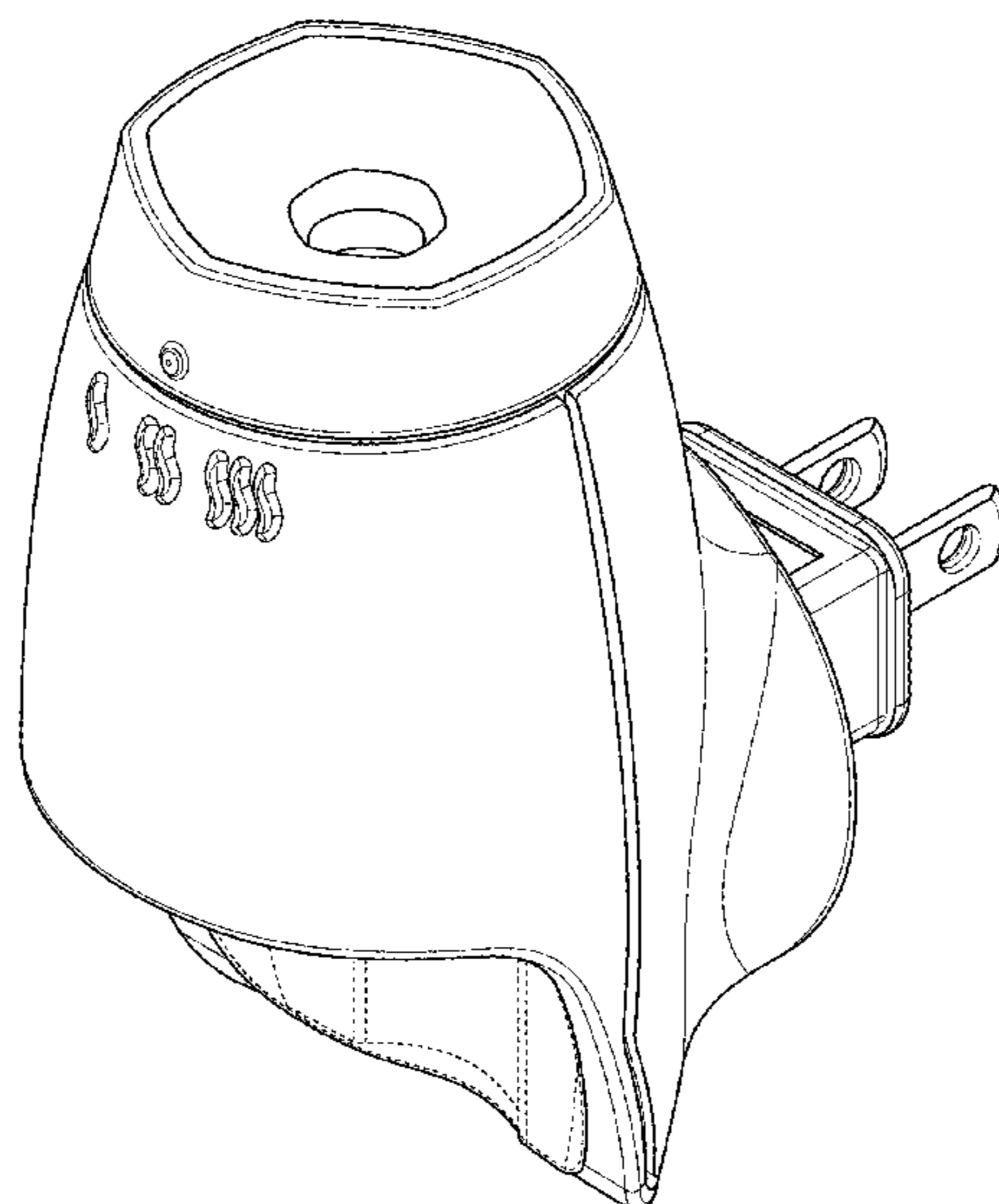
The broken lines depict portions of the air freshener that form no part of the claimed design.

(56) **References Cited**

**U.S. PATENT DOCUMENTS**

- D492,021 S \* 6/2004 Basaganas Millan .... A61L 9/12  
D23/366
- D505,330 S \* 5/2005 Wolpert ..... D23/366

**1 Claim, 6 Drawing Sheets**



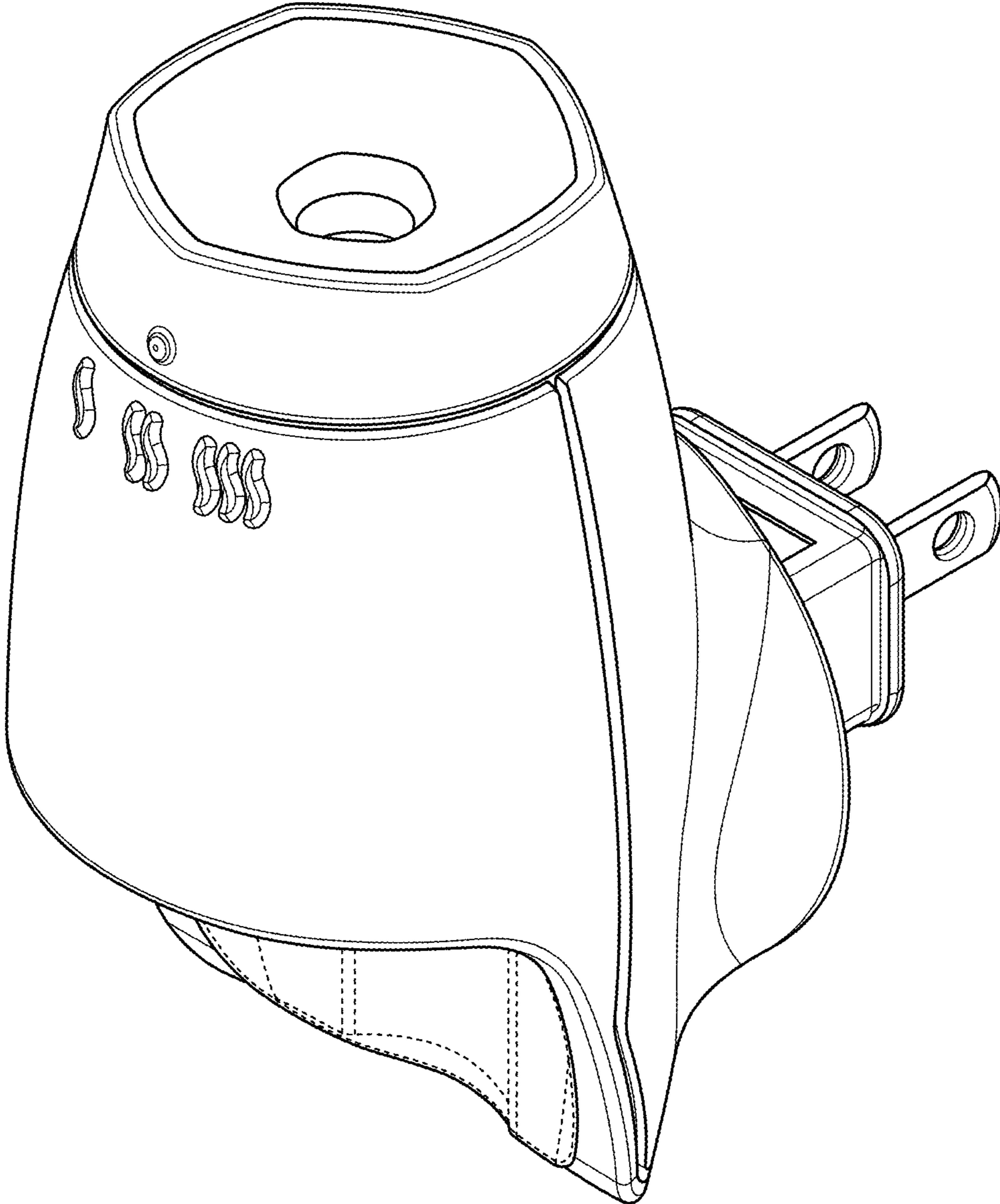


FIG. 1

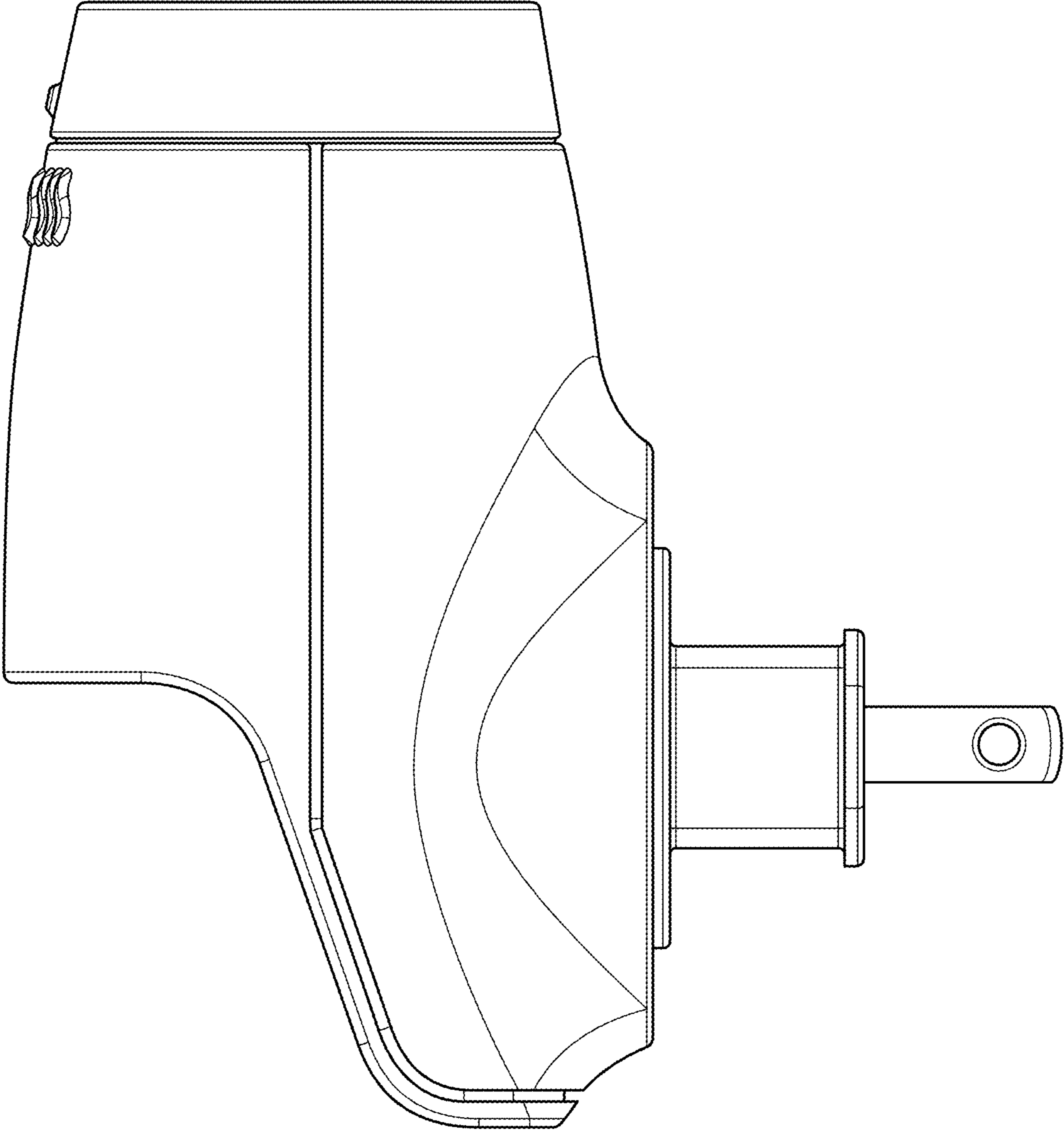


FIG. 2

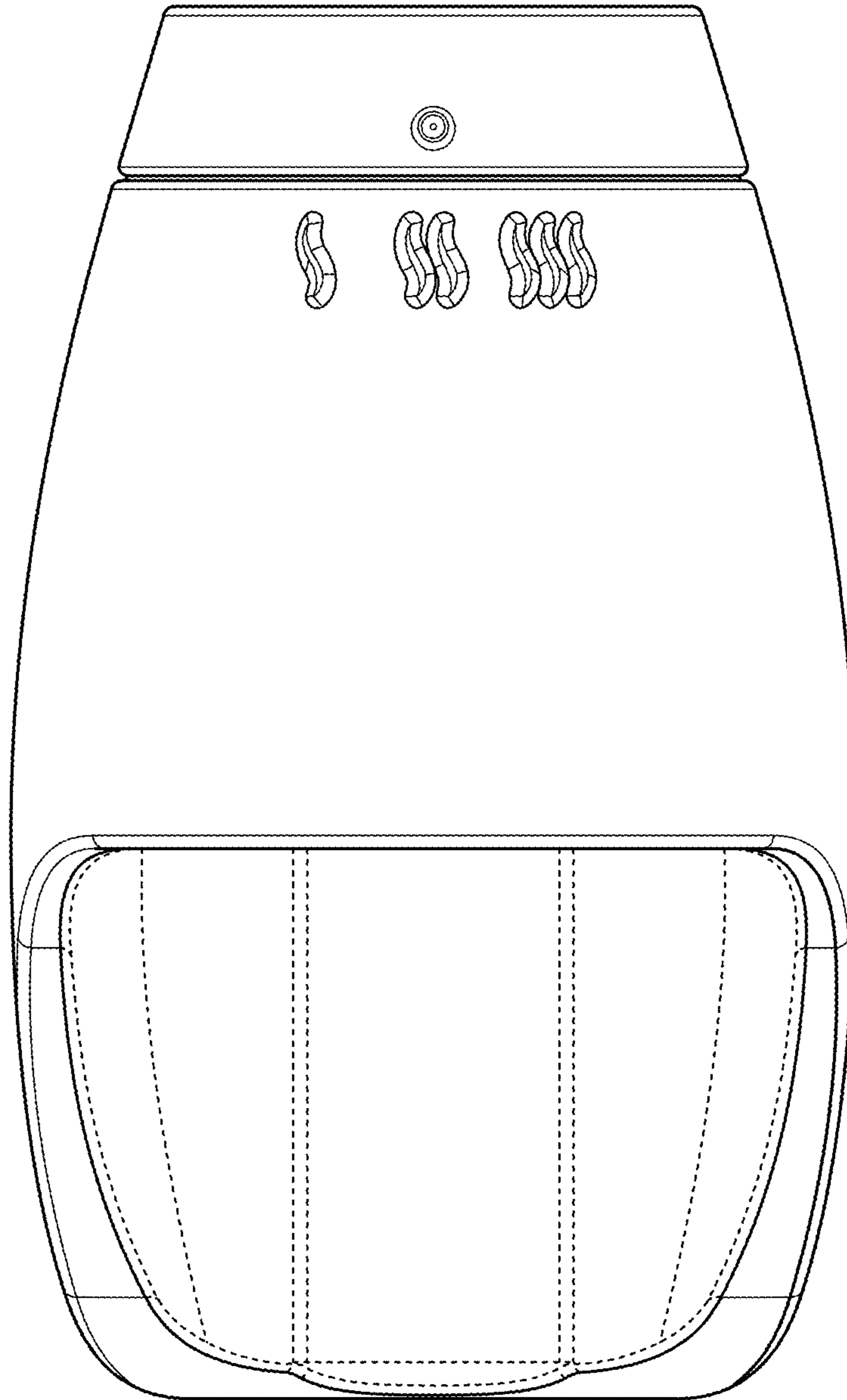


FIG. 3

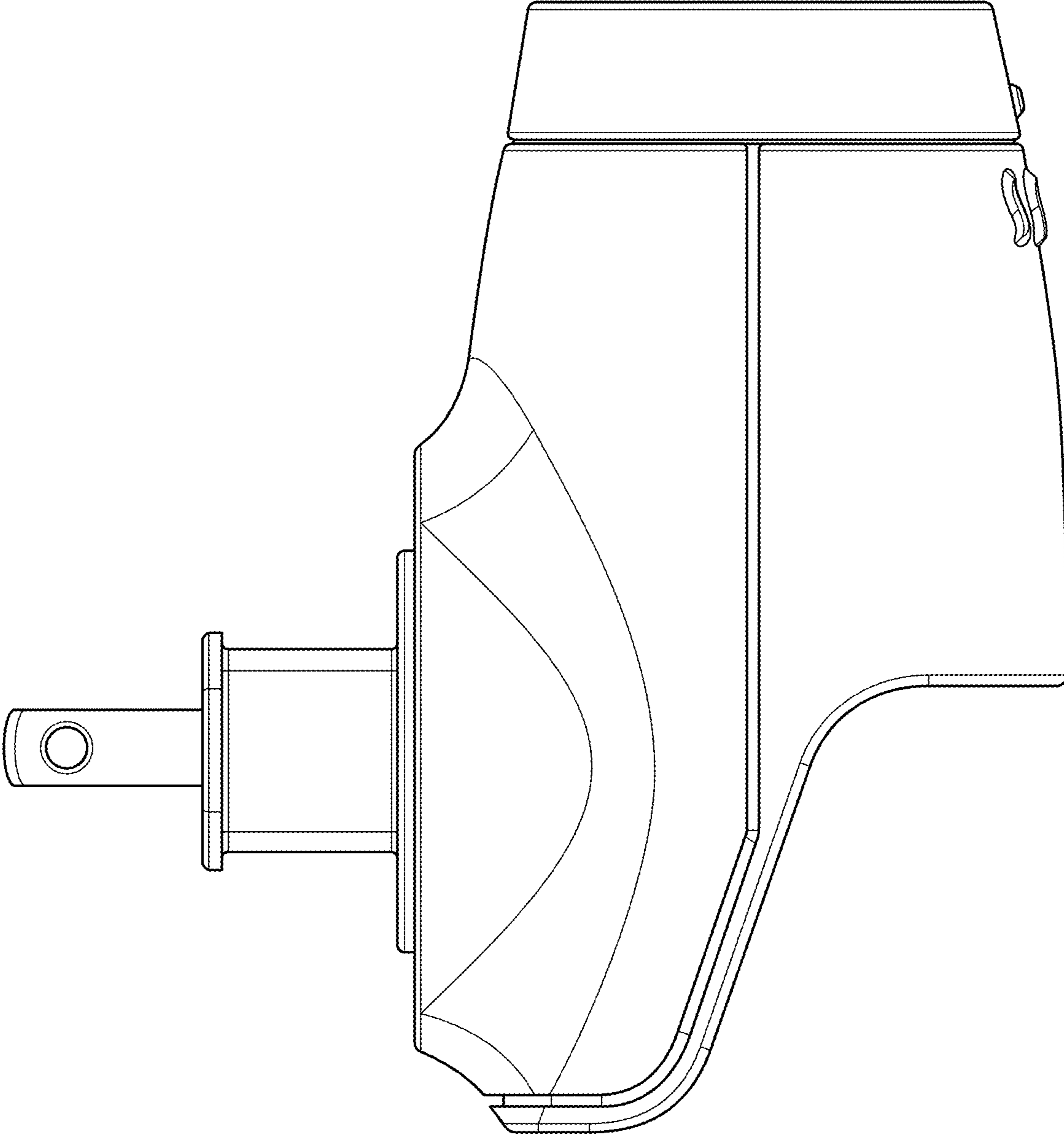


FIG. 4

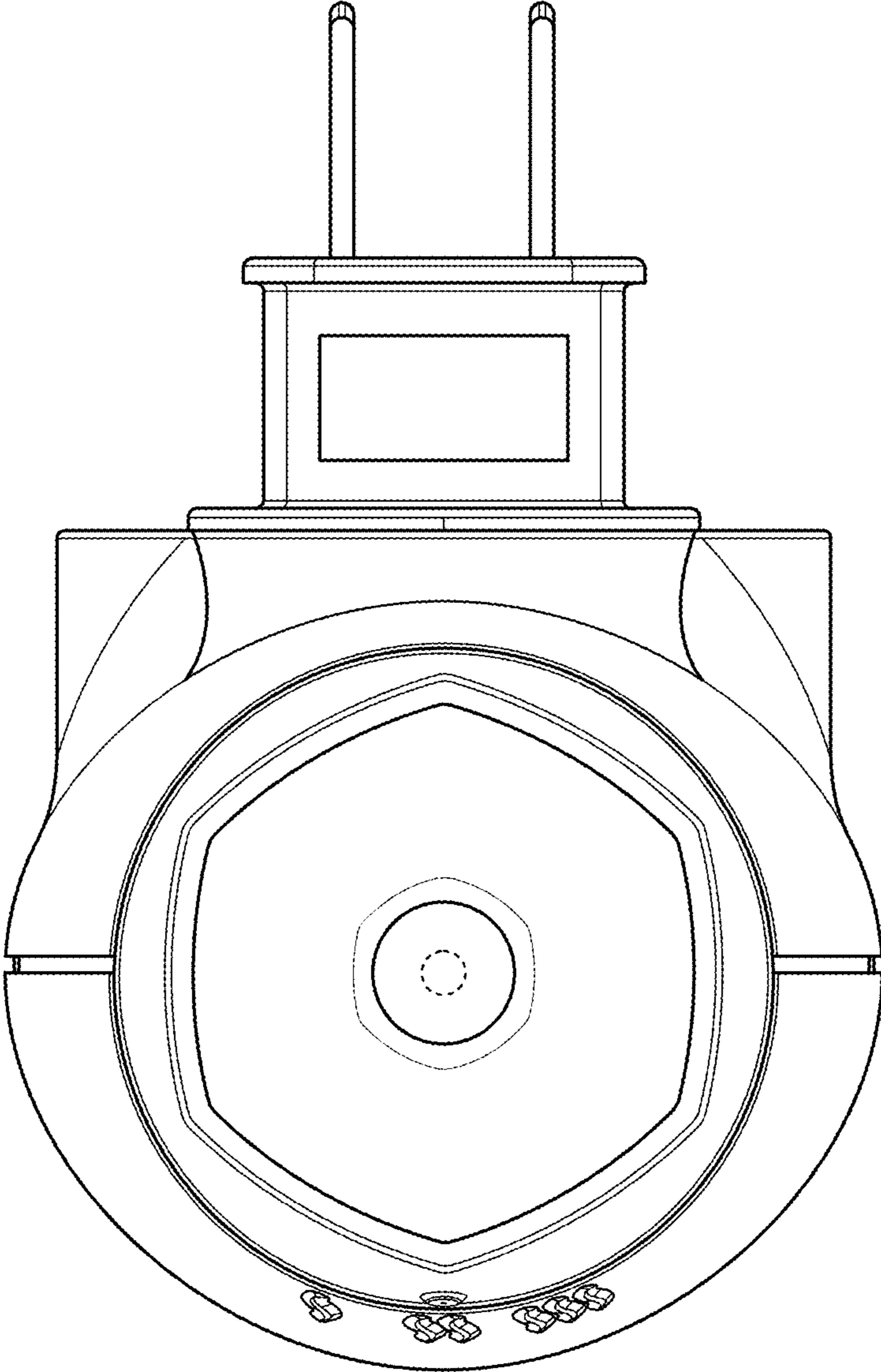


FIG. 5

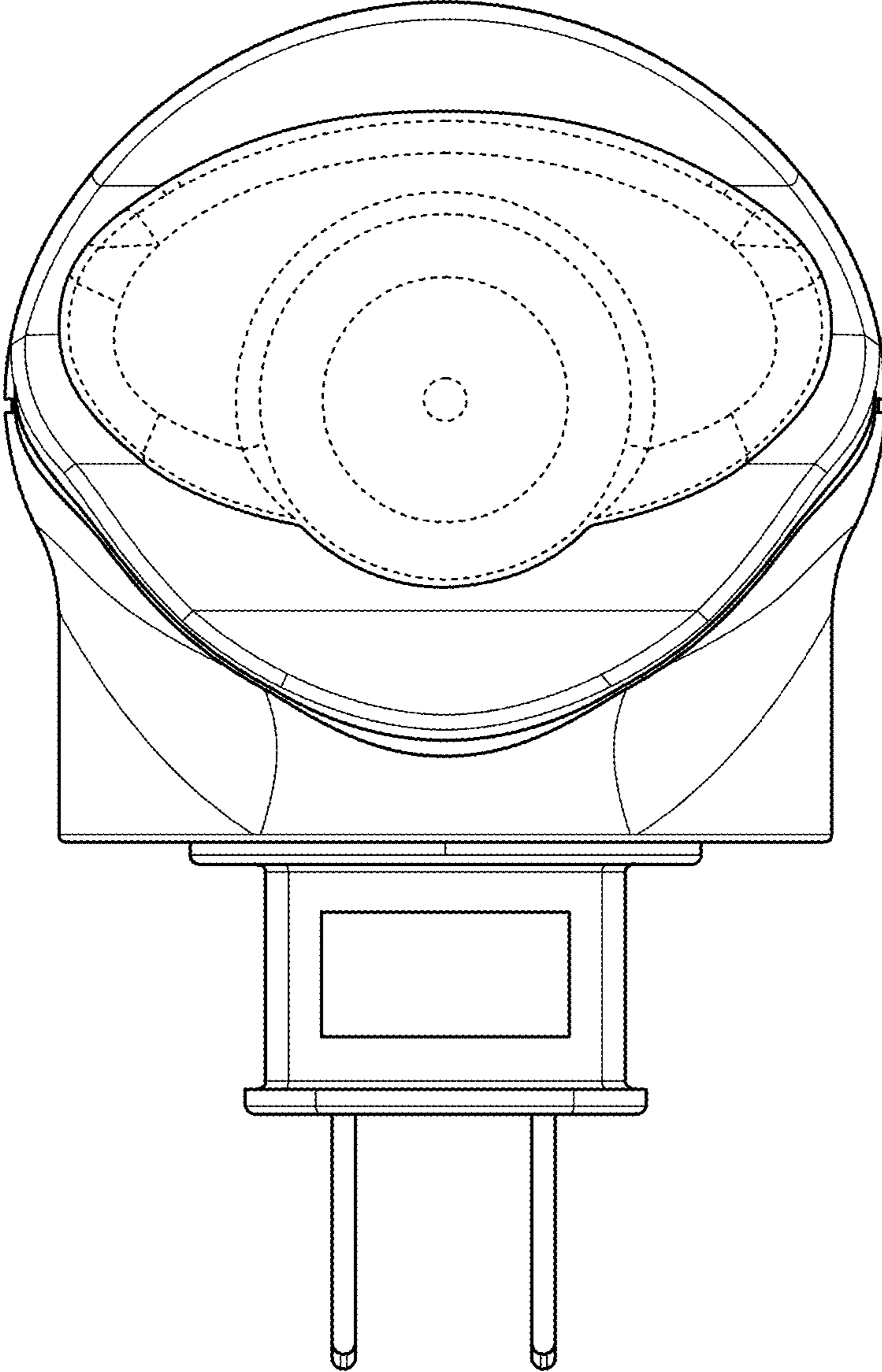


FIG. 6