



US00D905220S

(12) **United States Design Patent** (10) **Patent No.:** **US D905,220 S**
Farone et al. (45) **Date of Patent:** **** Dec. 15, 2020**

(54) **AIR PURIFIER**
(71) Applicant: **Guardian Technologies LLC**, Euclid, OH (US)
(72) Inventors: **Richard C. Farone**, Willoughby, OH (US); **Cynthia Caffoe**, Aurora, OH (US)
(73) Assignee: **Guardian Technologies LLC**, Euclid, OH (US)
(**) Term: **15 Years**
(21) Appl. No.: **29/681,838**
(22) Filed: **Feb. 28, 2019**
(51) **LOC (12) Cl.** **23-04**
(52) **U.S. Cl.**
USPC **D23/364**
(58) **Field of Classification Search**
USPC D23/355-366, 352, 369, 332, 333, 335, D23/336, 342, 351; 422/120, 122; 55/356, 473, 504; 96/97; D14/188, 170, D14/172; 261/DIG. 17, DIG. 65, 261/DIG. 88, DIG. 31; D18/34.6
CPC .. A61L 9/16; A61L 9/22; B01D 47/00; B01D 47/027; B01D 2221/02; B01D 2259/4508; B03C 3/155; B03C 3/368; F24F 3/16; F24F 13/20; F24F 13/28; F24F 3/1405; F24F 3/1603; F24F 13/222
See application file for complete search history.

5,753,000 A * 5/1998 Chiu B01D 46/24 55/357
D493,874 S * 8/2004 Woods D23/364
D505,999 S * 6/2005 Song D23/364
D539,882 S * 4/2007 Li D23/352
(Continued)

OTHER PUBLICATIONS

Guardian technologies.com, GermGuardian AC4700BDLX 15" Air Purifier with HEPA & UVC 150 sq ft., Mar. 16, 2020, <https://www.guardiantechnologies.com/air-purifiers-with-uv-hepa-filters/ac4700bdlx-4-in-1-air-cleaning-system-with-hepa-uv-c-sanitizer-by-germguardian.html> (Year: 2020).*

Primary Examiner — Nathan M Johnston
(74) *Attorney, Agent, or Firm* — Calfee, Halter & Griswold LLP

(57) **CLAIM**

The ornamental design for an air purifier, as shown and described.

DESCRIPTION

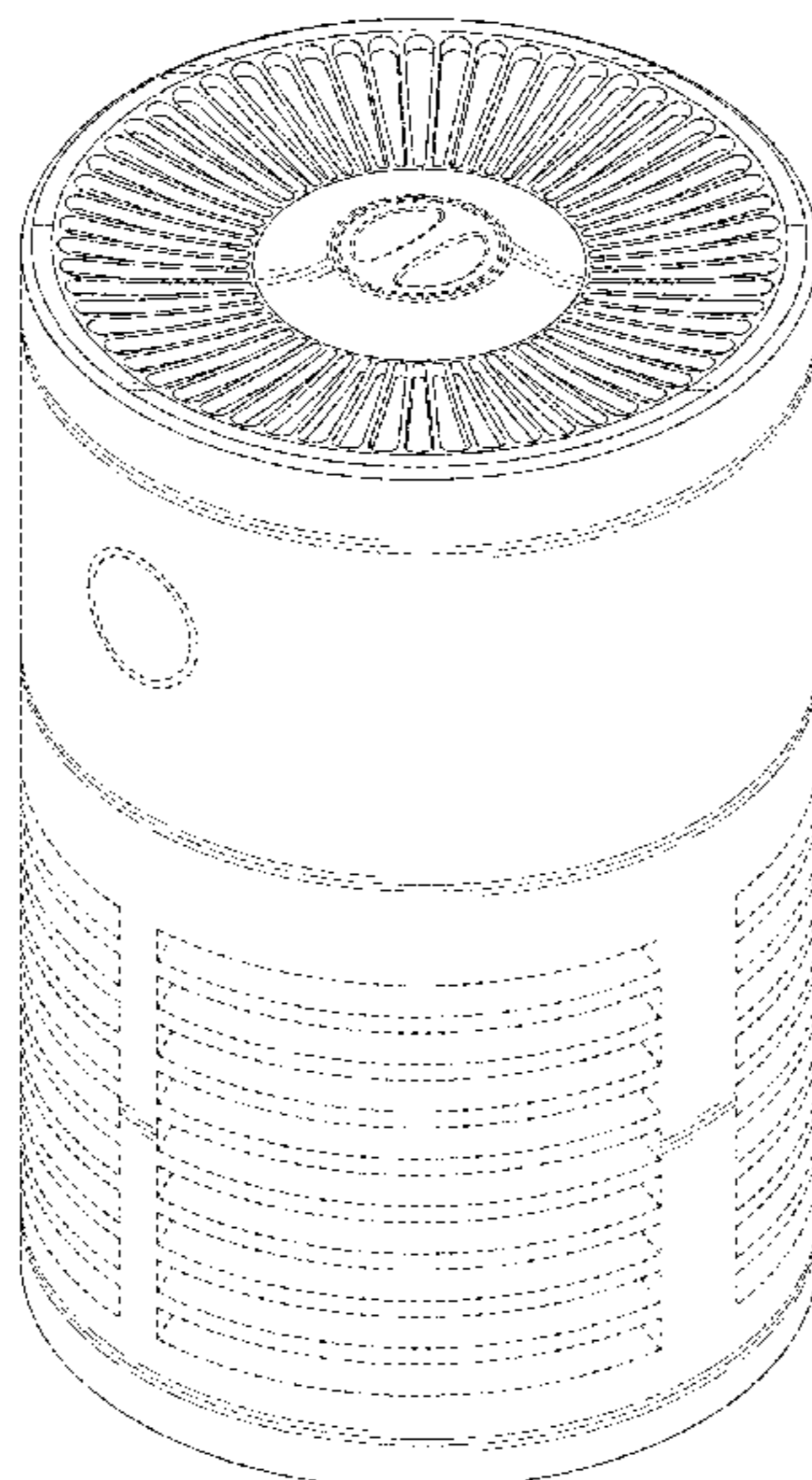
FIG. 1 is a perspective view of an air purifier of the new design;
FIG. 2 is a front elevational view of the air purifier of FIG. 1;
FIG. 3 is a right side elevational view of the air purifier of FIG. 1;
FIG. 4 is back elevational view of the air purifier of FIG. 1;
FIG. 5 is a left side elevational view of the air purifier of FIG. 1;
FIG. 6 is a top plan view of the air purifier of FIG. 1; and, FIG. 7 is bottom view of the air purifier of FIG. 1.
The broken lines in the drawings are for the purpose of illustration elements of the humidifier that form no part of the claimed design.
In addition, the recessed surfaces within the grill of the air purifier form no part of the claimed design.

1 Claim, 4 Drawing Sheets

(56) **References Cited**

U.S. PATENT DOCUMENTS

3,972,473 A * 8/1976 Harrison B65D 83/285 239/34
D274,353 S * 6/1984 Hoyle D23/352
D281,618 S * 12/1985 Grube D23/364
D288,714 S * 3/1987 Wilson D23/366
D346,017 S * 4/1994 Lim D23/332
D355,962 S * 2/1995 Chiu D23/364



(56)

References Cited

U.S. PATENT DOCUMENTS

D552,724	S	*	10/2007	Chen	D23/366
D563,391	S	*	3/2008	Skurdal	D14/172
D574,072	S	*	7/2008	Carlson	D23/364
D653,744	S	*	2/2012	Li	D23/366
D716,427	S	*	10/2014	Lim	D23/364
D787,657	S		5/2017	Farone et al.		
D805,622	S	*	12/2017	Lee	D23/364
D810,905	S	*	2/2018	Yoon	D23/364
D818,097	S	*	5/2018	Cho	D23/364
D829,312	S	*	9/2018	Riering-Czekalla	D23/364
D831,810	S	*	10/2018	Cho	D23/364
D831,811	S	*	10/2018	Cho	D23/364
D834,694	S	*	11/2018	Walter	D23/366
D835,766	S	*	12/2018	Chen	D23/364
D836,760	S	*	12/2018	Fredang	D23/364
D844,767	S	*	4/2019	Chen	D23/364
D847,323	S	*	4/2019	Gan	D23/356
D849,218	S	*	5/2019	Liang	D23/356
D855,785	S	*	8/2019	Kim	D23/364
D855,787	S	*	8/2019	Sakamoto	D23/370
D865,149	S	*	10/2019	Lin	D23/364
D873,401	S	*	1/2020	Chen	D23/364
2010/0024652	A1	*	2/2010	Fox	A61L 9/22 96/58
2017/0348455	A1	*	12/2017	Kim	B01D 53/86
2018/0147523	A1	*	5/2018	Oh	B01D 47/06
2018/0256770	A1	*	9/2018	Jang	A61L 9/12
2019/0022266	A1	*	1/2019	Hsiao	A61L 9/03
2019/0203960	A1	*	7/2019	Hoyda	B01D 53/78
2019/0353362	A1	*	11/2019	Montagnino	F24F 6/043
2020/0003440	A1	*	1/2020	Kim	B01D 46/0047

* cited by examiner

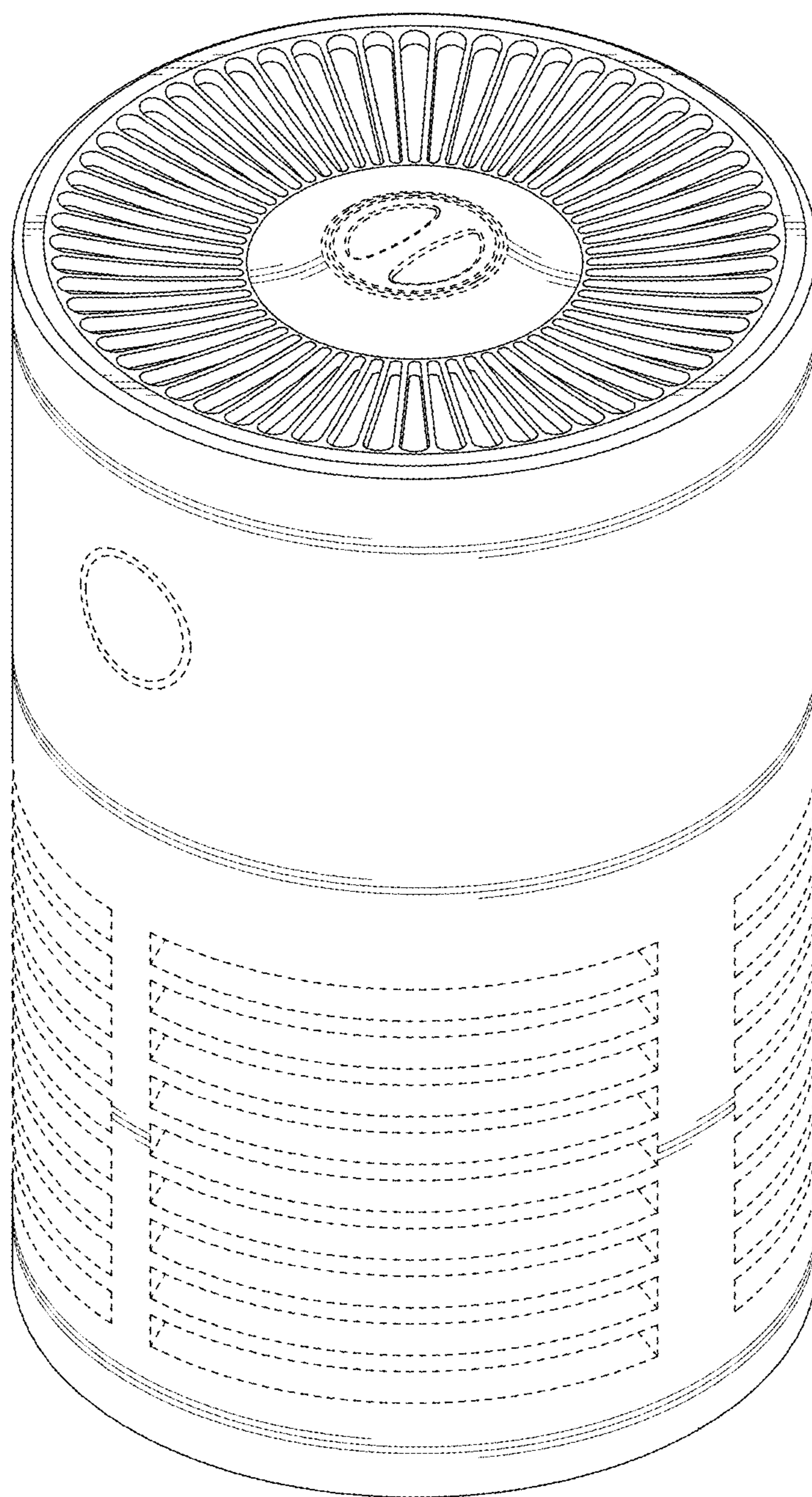


FIG. 1

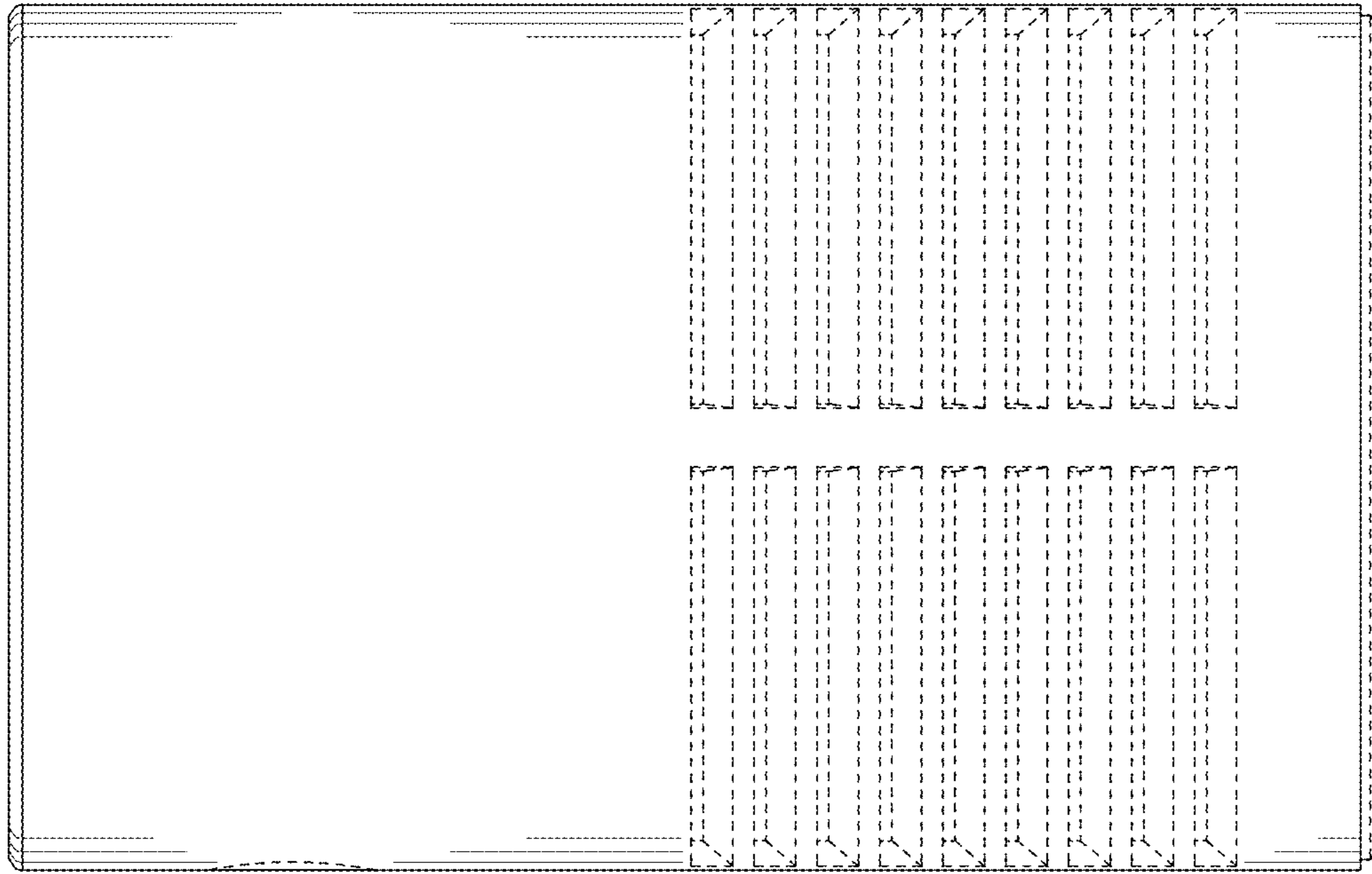


FIG. 3

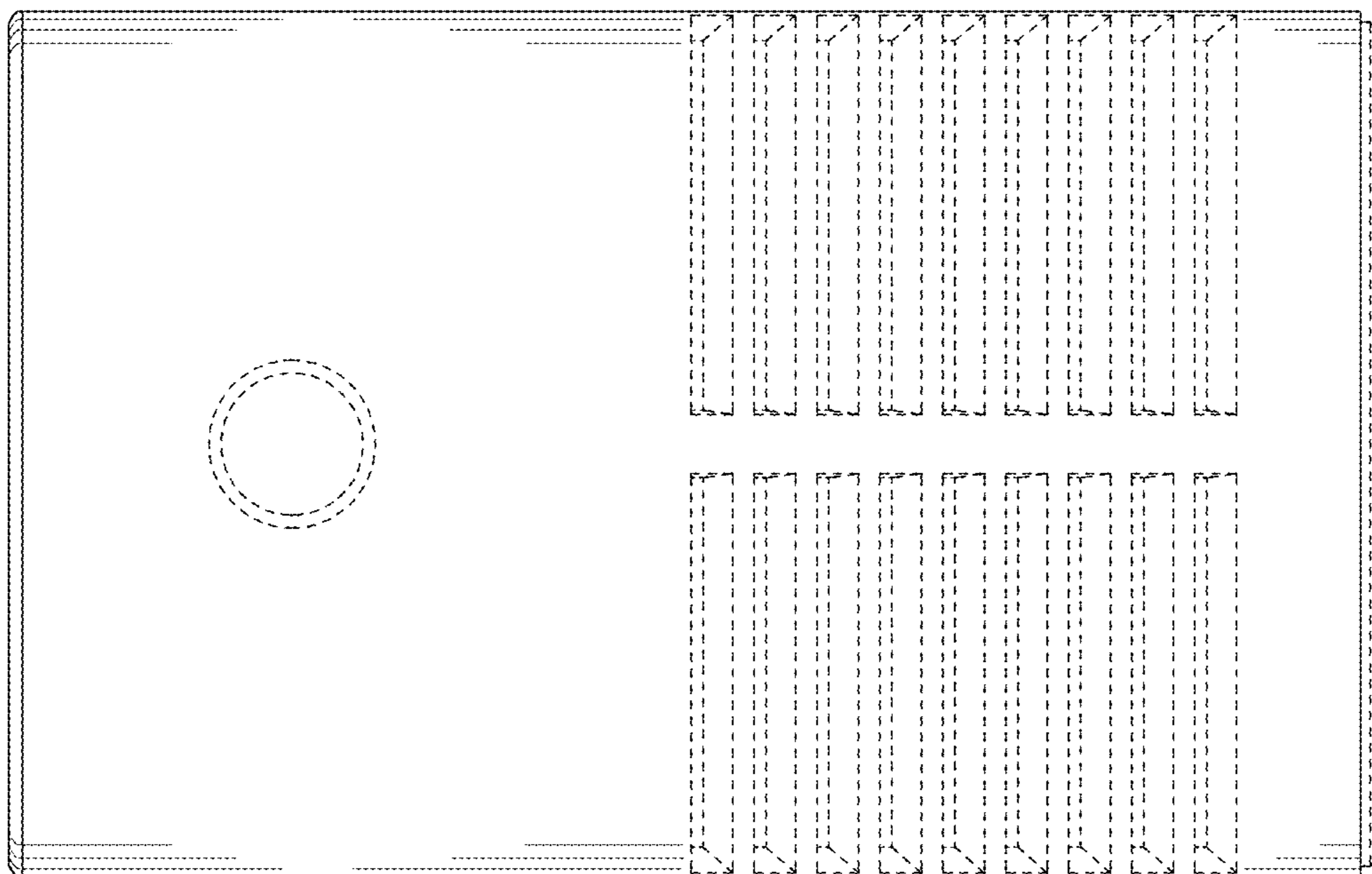


FIG. 2

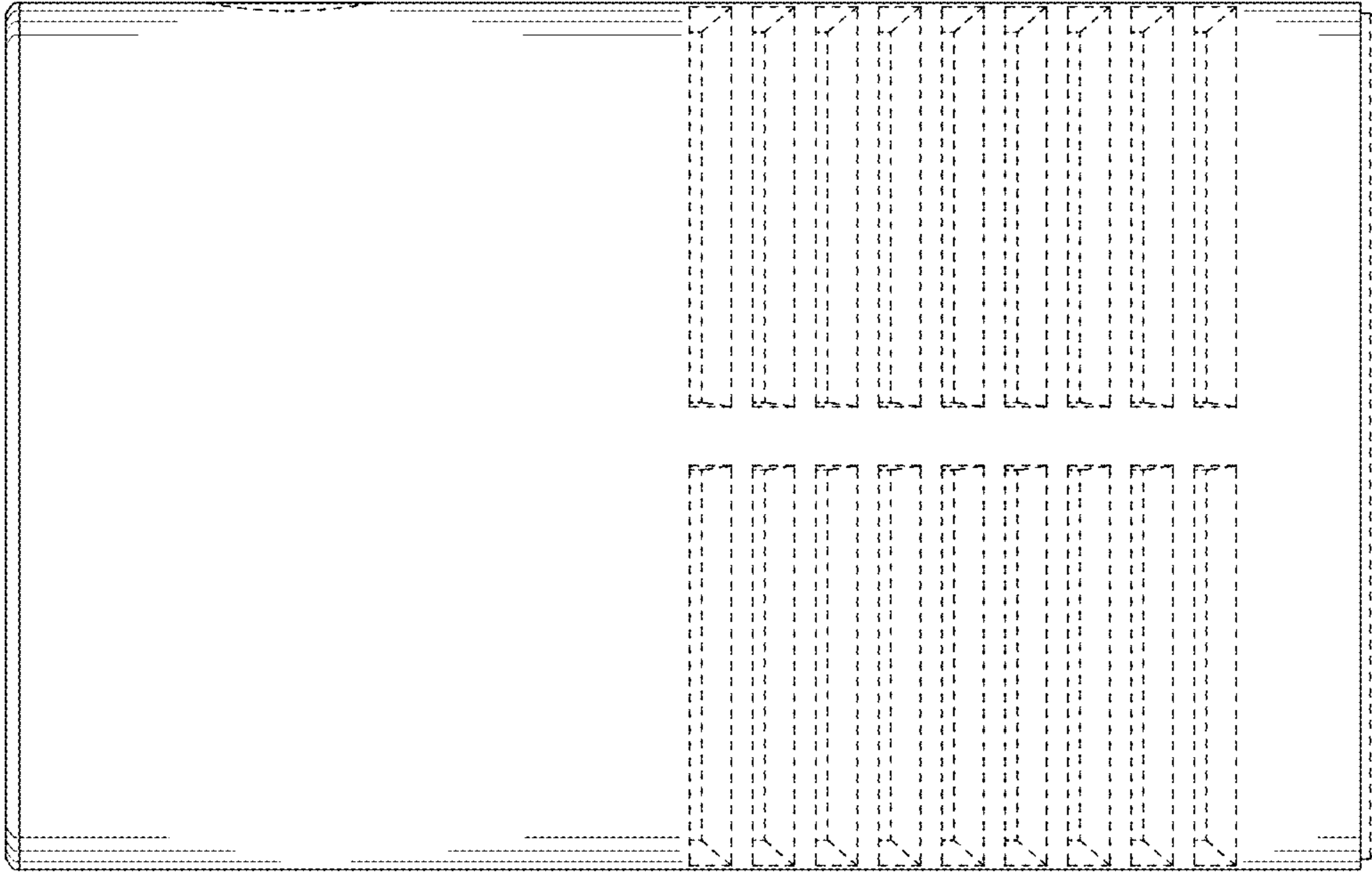


FIG. 5

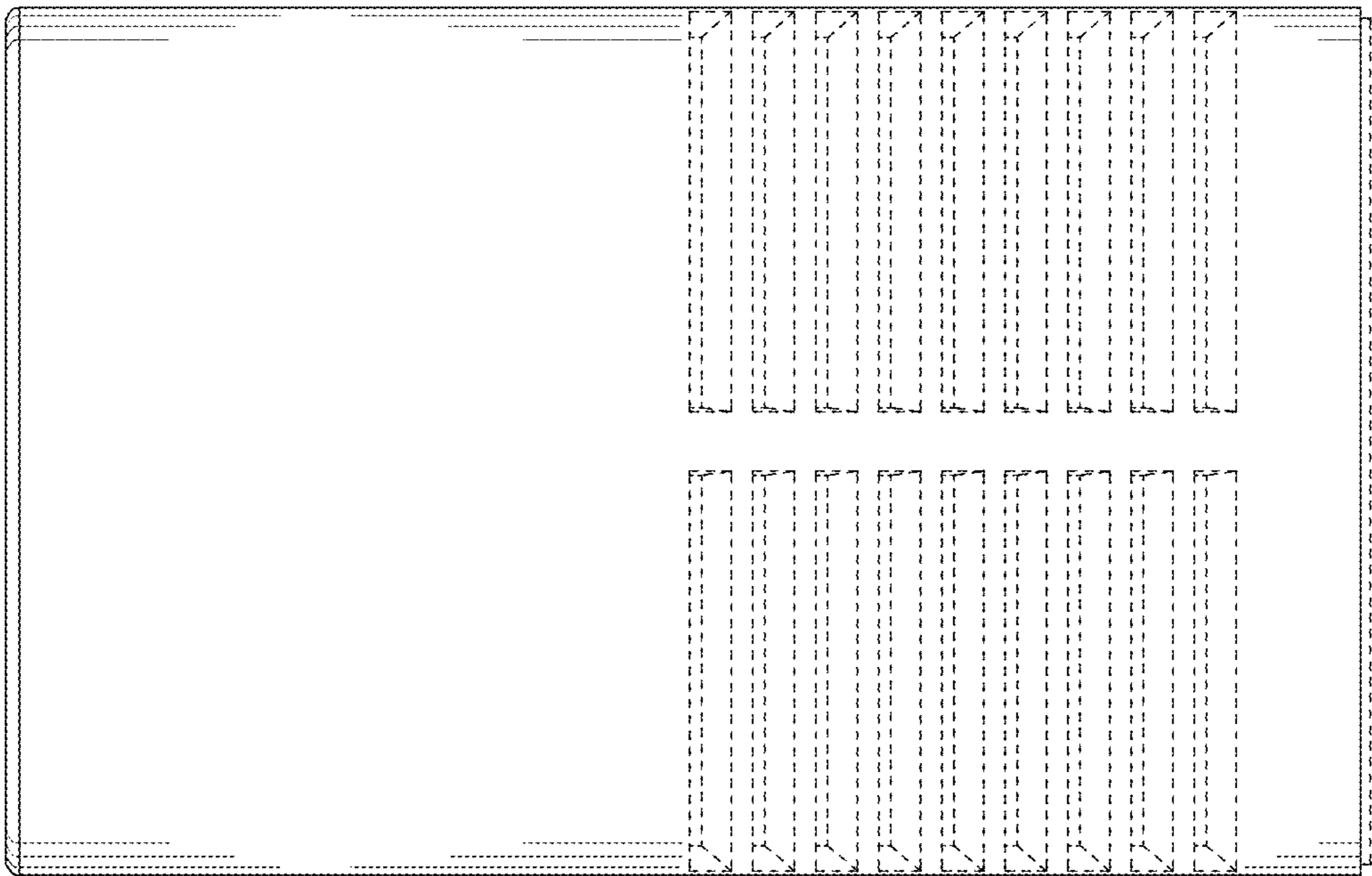


FIG. 4

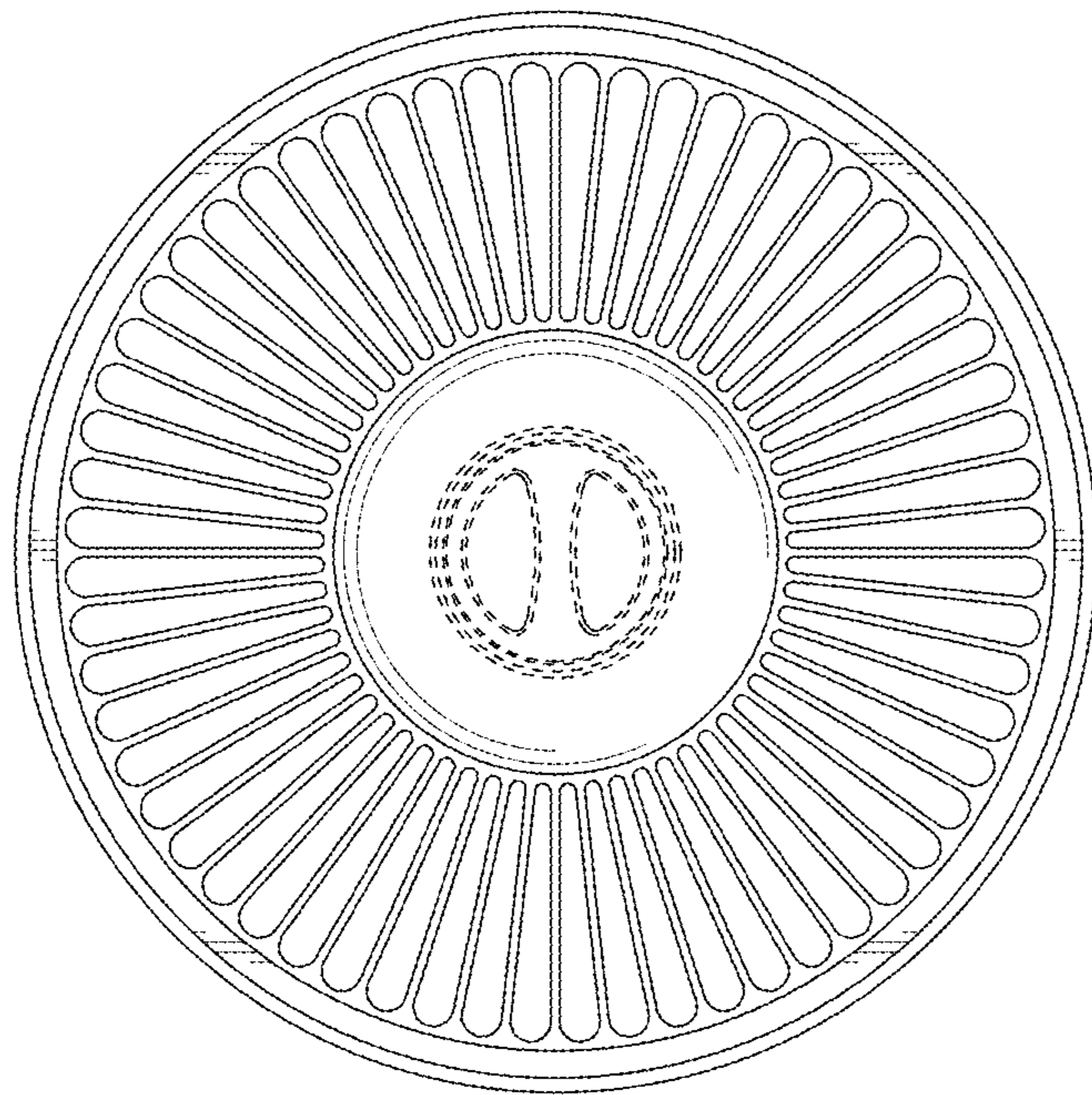


FIG. 6

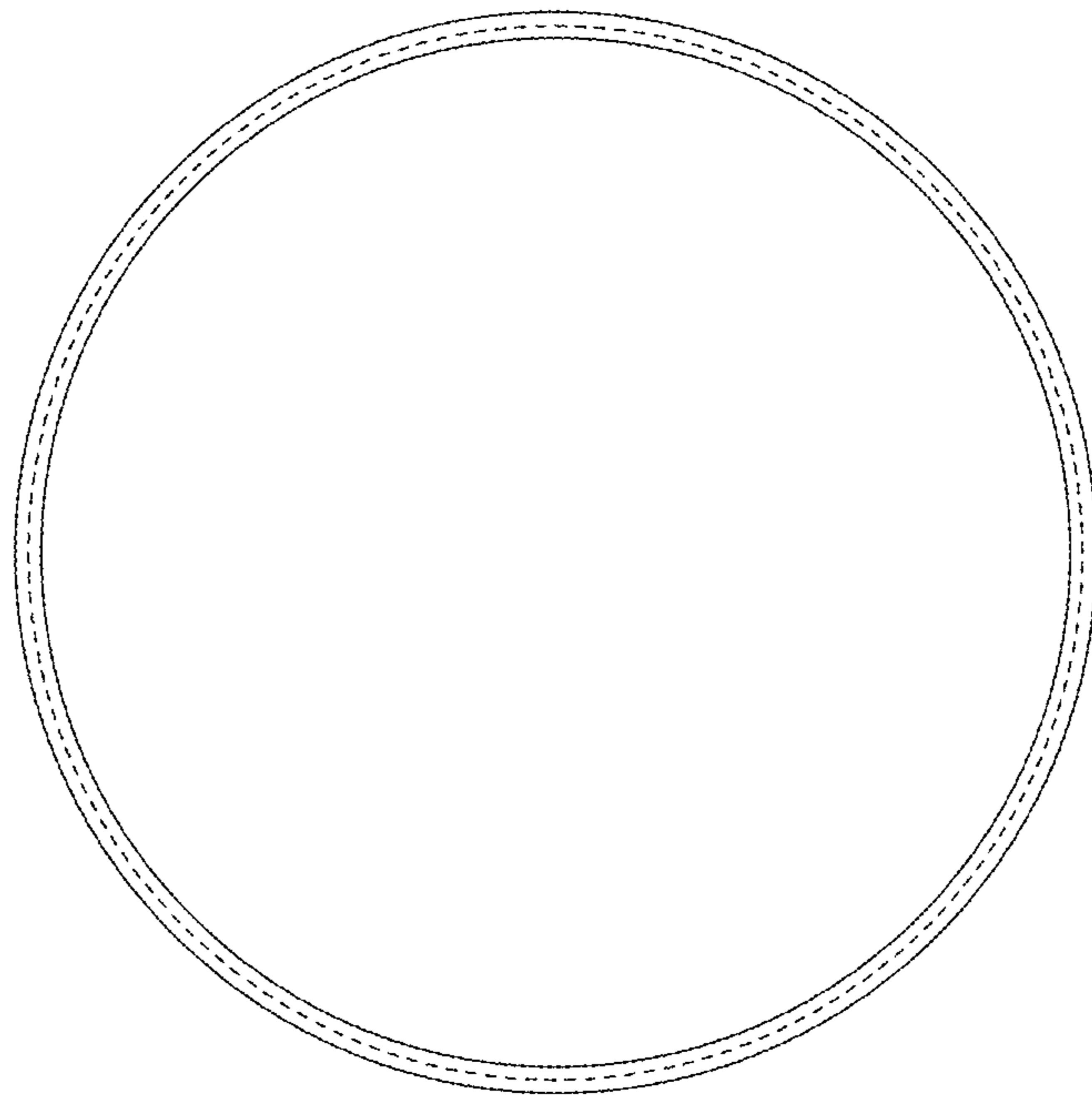


FIG. 7