



US00D905219S

(12) **United States Design Patent** (10) **Patent No.:** **US D905,219 S**  
**Zeng** (45) **Date of Patent:** **\*\* Dec. 15, 2020**

(54) **HUMIDIFIER**

(71) Applicant: **Shenzhen jingyang technology Co., Ltd, Shenzhen (CN)**

(72) Inventor: **Lixia Zeng, Ganzhou (CN)**

(\*\*) Term: **15 Years**

(21) Appl. No.: **29/738,929**

(22) Filed: **Jun. 21, 2020**

(51) **LOC (12) Cl.** ..... **23-04**

(52) **U.S. Cl.**  
USPC ..... **D23/356**

(58) **Field of Classification Search**  
USPC ..... D23/355-366, 352, 369, 332, 333, 335, D23/336, 342, 351; 422/120, 122; 55/356, 473, 504; 96/97; 261/DIG. 17, 261/DIG. 65, DIG. 88, DIG. 31  
CPC .. A61L 9/16; A61L 9/22; B01D 47/00; B01D 47/027; B01D 2221/02; B01D 2259/4508; B03C 3/155; B03C 3/368; F24F 3/16; F24F 13/20; F24F 13/28; F24F 2001/0096  
See application file for complete search history.

(56) **References Cited**

**U.S. PATENT DOCUMENTS**

D522,119 S \* 5/2006 Baraky ..... D23/366  
7,534,406 B2 \* 5/2009 Takemura ..... A01M 1/2077  
239/34  
D646,370 S \* 10/2011 Kuo ..... D23/366

D720,446 S \* 12/2014 Ellis ..... D23/355  
D733,280 S \* 6/2015 Bourne ..... D23/366  
D754,314 S \* 4/2016 Ellis ..... D23/364  
D817,467 S \* 5/2018 Shin ..... D23/364  
D855,167 S \* 7/2019 Li ..... D23/356  
D866,741 S \* 11/2019 Tran ..... D23/366  
D866,742 S \* 11/2019 Garcia ..... D23/366  
D876,598 S \* 2/2020 Liu et al.  
D881,368 S \* 4/2020 Yu ..... D23/366  
D884,142 S \* 5/2020 Nanda ..... D23/366  
2014/0109608 A1 \* 4/2014 Hsu ..... B01D 53/0438  
62/271

\* cited by examiner

*Primary Examiner* — David G Muller  
(74) *Attorney, Agent, or Firm* — ZANIP

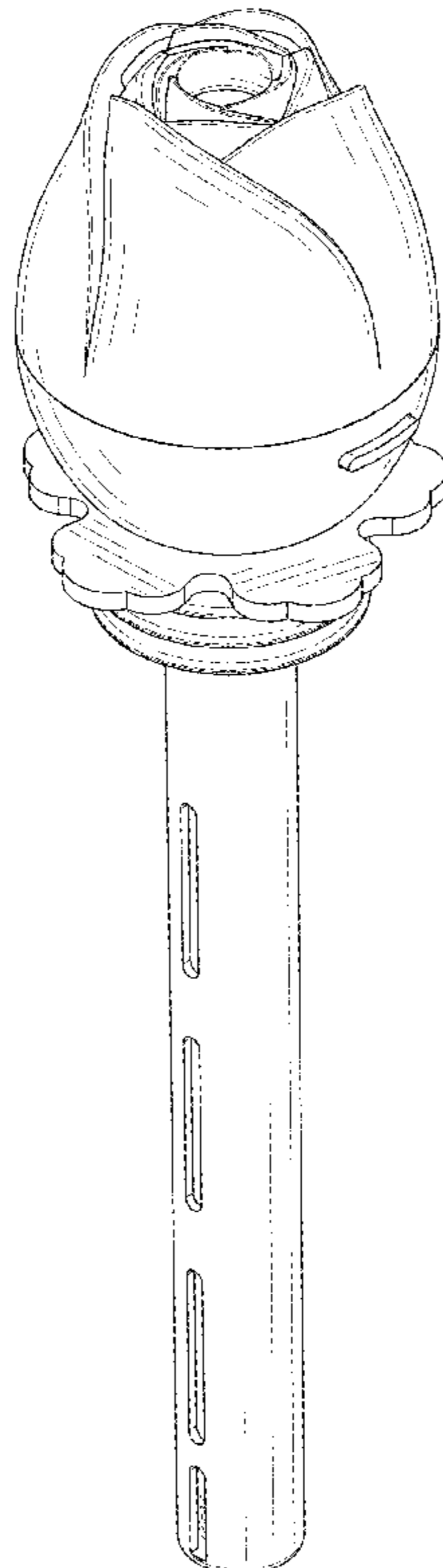
(57) **CLAIM**

The ornamental design for a humidifier, as shown and described.

**DESCRIPTION**

FIG. 1 is a front and top perspective view of a humidifier, showing my new design;  
FIG. 2 is a rear and bottom perspective view thereof;  
FIG. 3 is a front elevational view thereof;  
FIG. 4 is a rear elevational view thereof;  
FIG. 5 is a left side elevational view thereof;  
FIG. 6 is a right side elevational view thereof;  
FIG. 7 is a top plan view thereof; and,  
FIG. 8 is a bottom plan view thereof.  
The broken lines in the figures illustrate portions of the article that form no part of the claimed design.

**1 Claim, 8 Drawing Sheets**



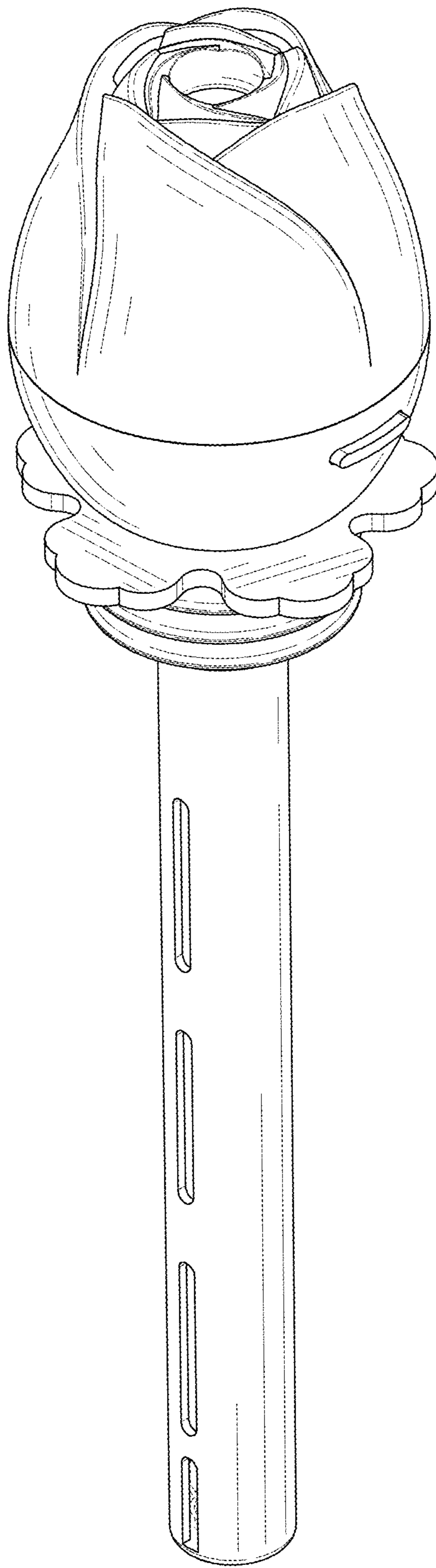


FIG. 1

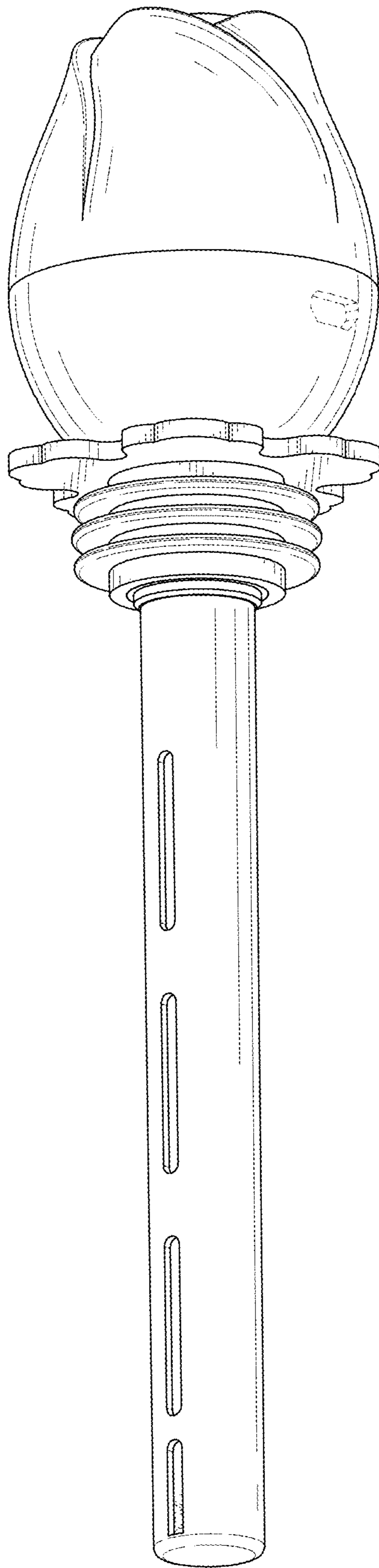


FIG. 2

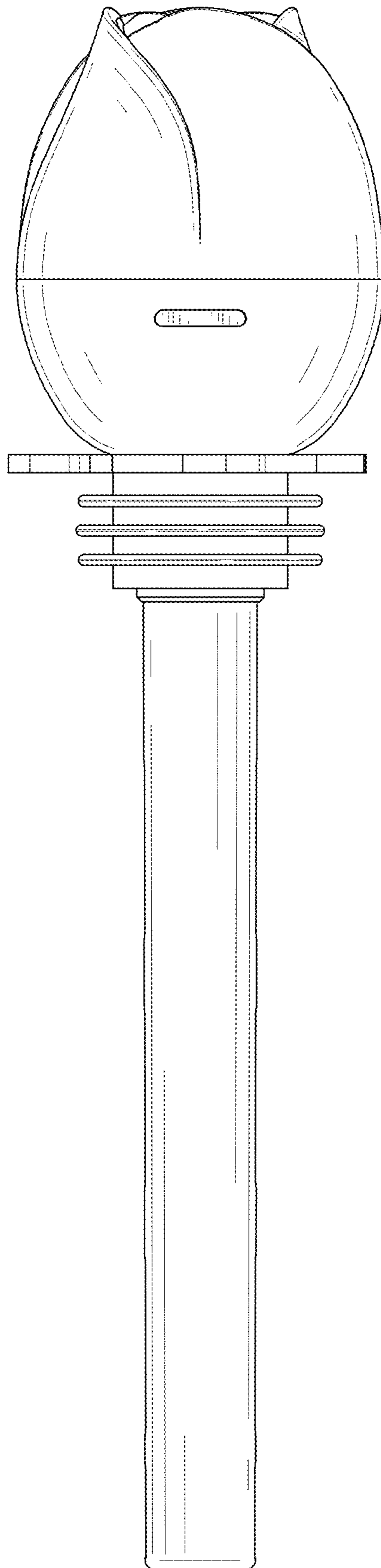


FIG. 3

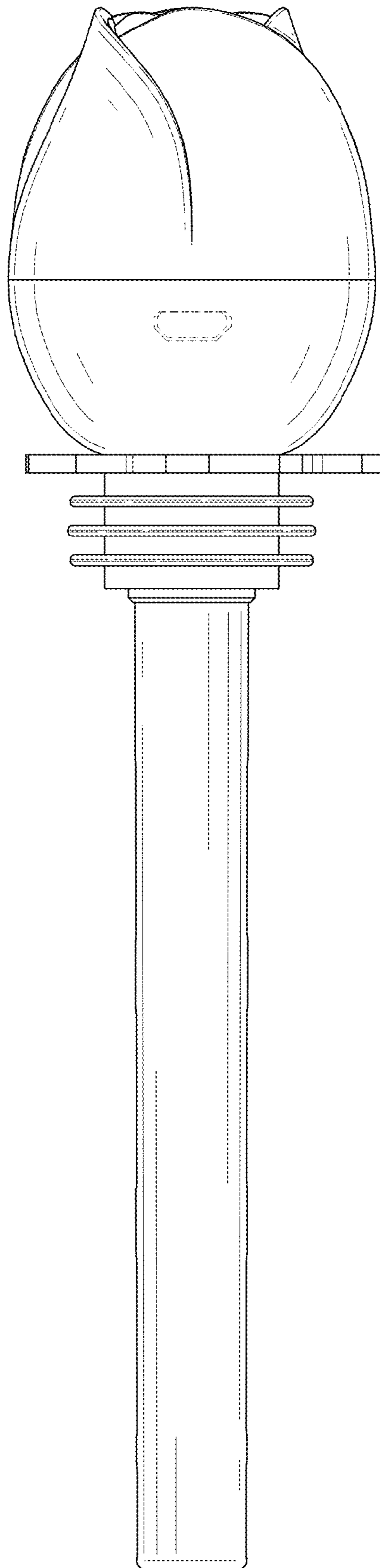


FIG. 4

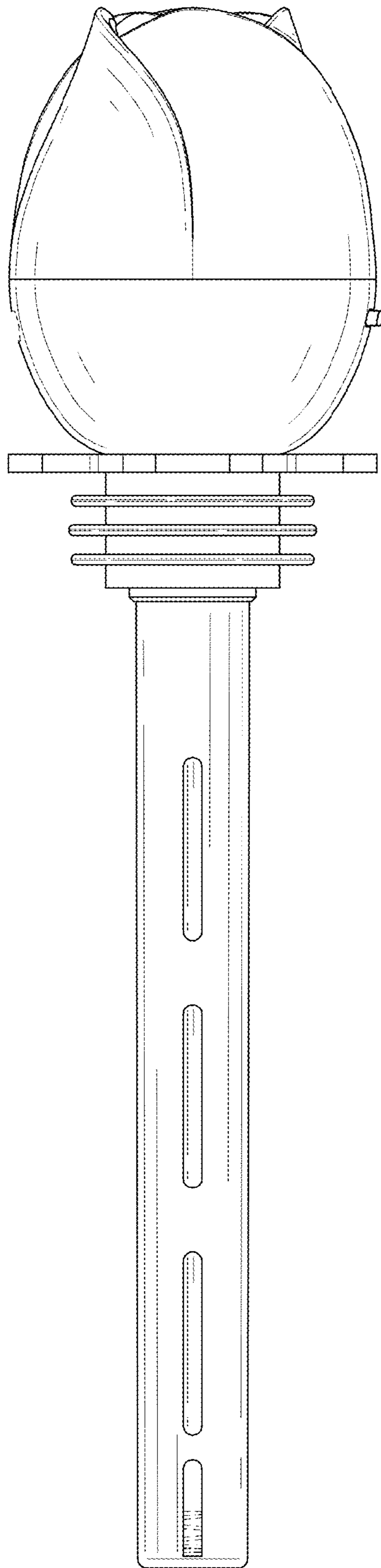


FIG. 5

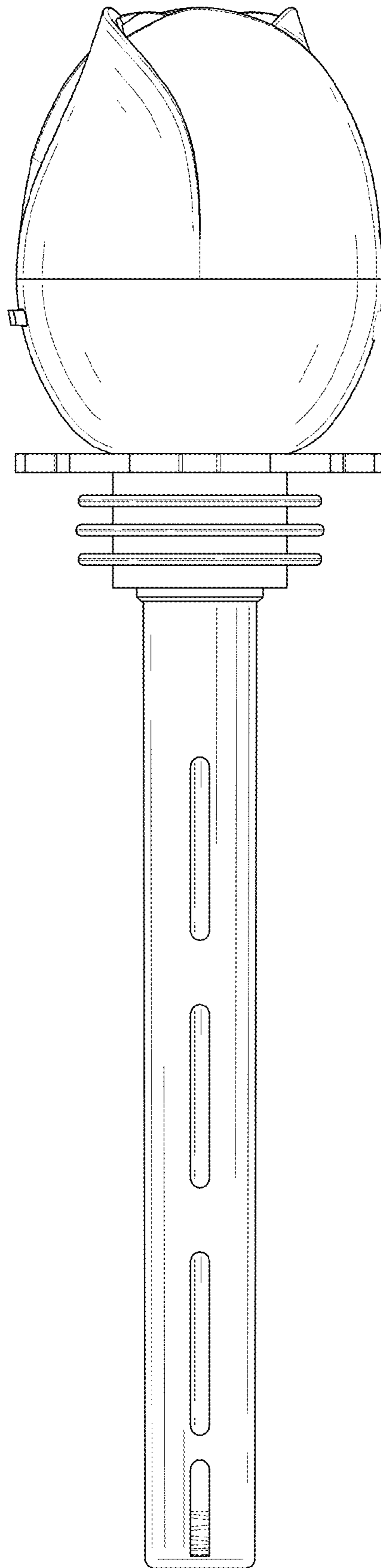


FIG. 6

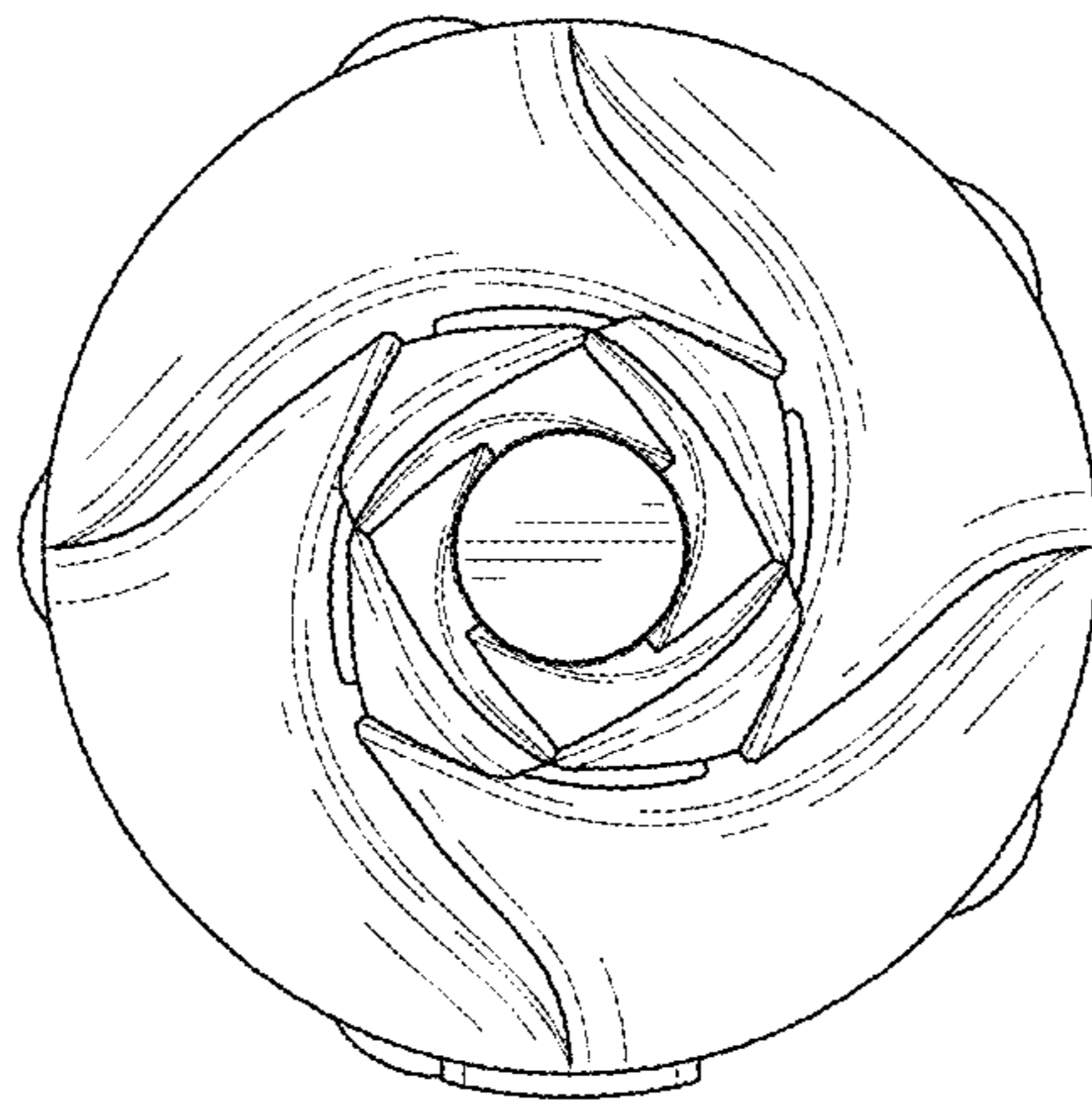


FIG. 7



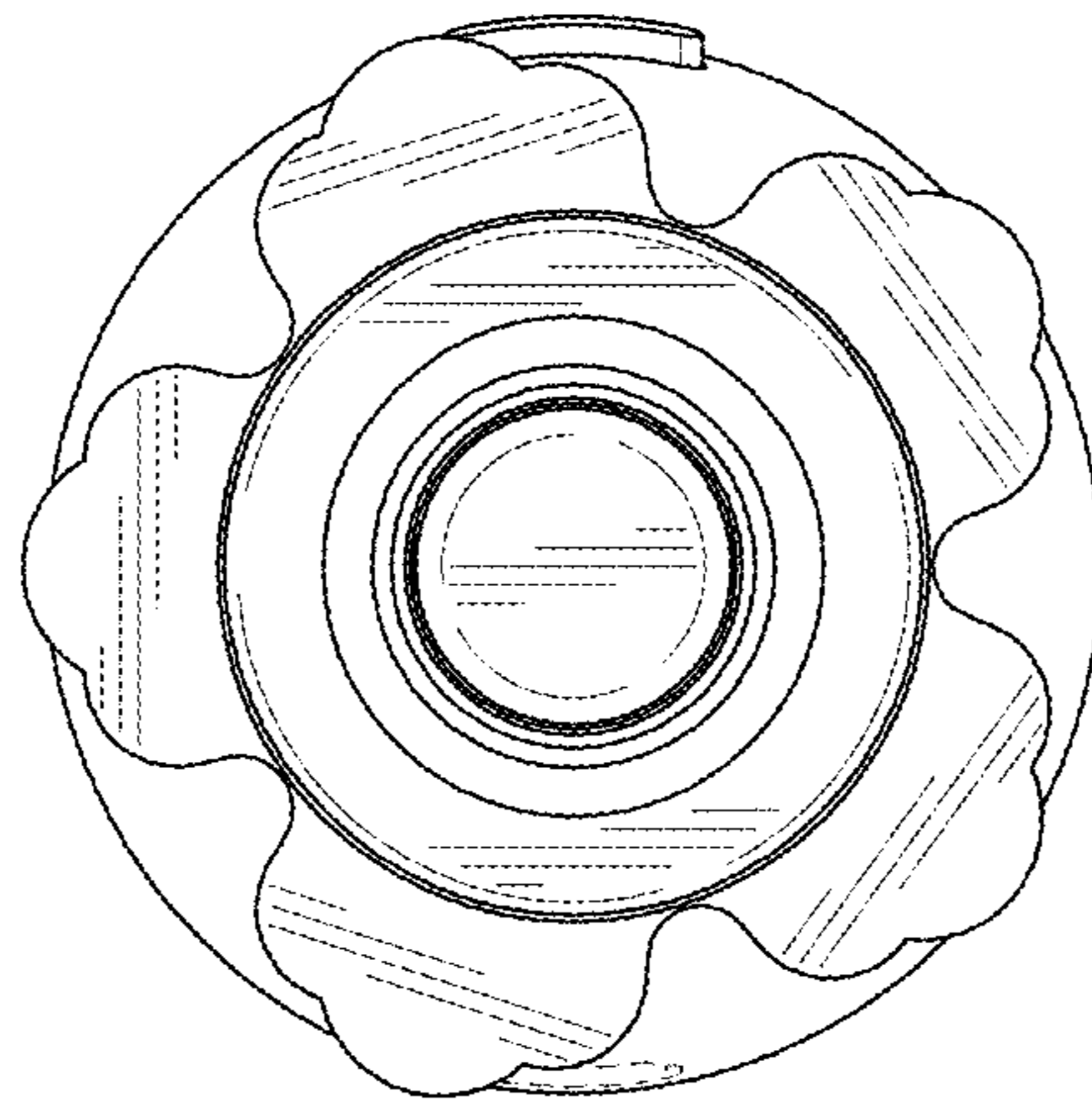


FIG. 8