



US00D905216S

(12) **United States Design Patent**
He et al.

(10) **Patent No.:** **US D905,216 S**

(45) **Date of Patent:** **** Dec. 15, 2020**

(54) **HEATER**

(71) Applicant: **JIANGMEN KEYE ELECTRIC APPLIANCES MANUFACTURING CO., LTD**, Jiangmen (CN)

(72) Inventors: **Xiangming He**, Jiangmen (CN);
Guanglian Lin, Jiangmen (CN)

(73) Assignee: **JIANGMEN KEYE ELECTRIC APPLIANCES MANUFACTURING CO., LTD**, Jiangmen (CN)

(**) Term: **15 Years**

(21) Appl. No.: **29/646,973**

(22) Filed: **May 8, 2018**

(51) **LOC (12) Cl.** **23-03**

(52) **U.S. Cl.**
USPC **D23/337**

(58) **Field of Classification Search**
USPC D23/333, 335-337, 351-354, 388
CPC F24F 1/00; F24F 1/0007; F24F 1/02; F24F 1/08; F24F 1/42; F24F 1/56; F24F 1/60; F24F 3/044; F24F 3/048; F24F 3/16; G05D 23/1905; G05D 23/1932; G05D 23/1902; G05D 23/1931; G05B 19/0426; G05B 19/409; G05B 15/02
See application file for complete search history.

(56) **References Cited**

U.S. PATENT DOCUMENTS

D152,397 S * 1/1949 Damond D23/337
3,193,265 A * 7/1965 Cowan F24H 3/0488
432/222

D340,765 S * 10/1993 Joss D23/336
D341,417 S * 11/1993 Wortham D23/337
D597,639 S * 8/2009 Chen Lee D23/328
D606,637 S * 12/2009 Wakabayashi D23/317
D616,080 S * 5/2010 Ching D23/332
D686,713 S * 7/2013 Kimpara D23/332
D717,416 S * 11/2014 Wakabayashi D23/332
D844,129 S * 3/2019 Lingenfelter D23/370
D847,960 S * 5/2019 He D23/332
D885,550 S * 5/2020 Avedon D23/370

* cited by examiner

Primary Examiner — Natasha Vujcic

(74) *Attorney, Agent, or Firm* — Innovation Capital Law Group, LLP; Vic Lin

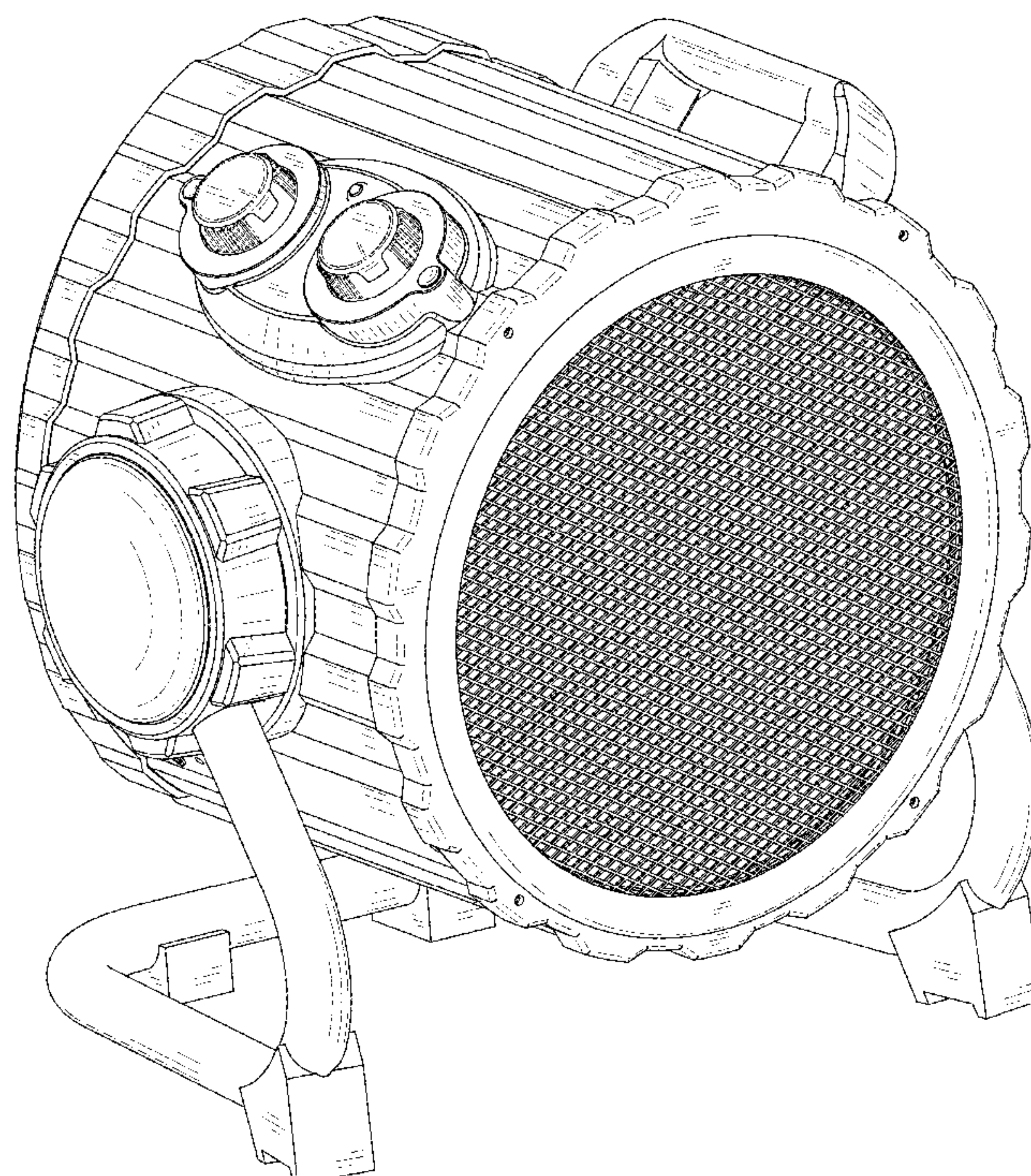
(57) **CLAIM**

The ornamental design for a heater, as shown and described.

DESCRIPTION

FIG. 1 is a front elevation view of a heater;
FIG. 2 is a rear elevation view thereof;
FIG. 3 is a right elevation view thereof;
FIG. 4 is a left elevation view thereof;
FIG. 5 is a top plan view thereof;
FIG. 6 is a bottom plan view thereof; and,
FIG. 7 is a perspective view thereof.

1 Claim, 7 Drawing Sheets



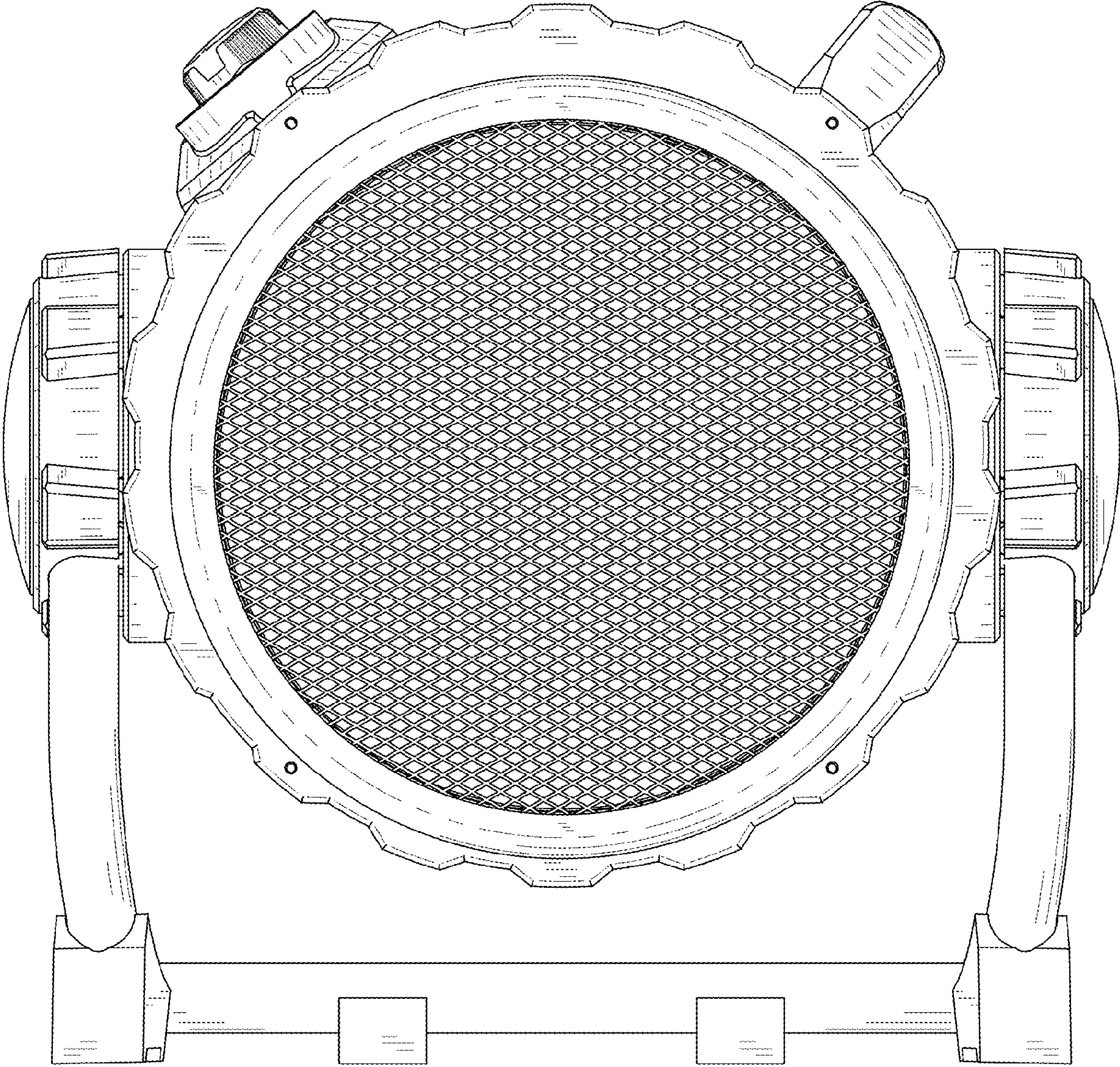


FIG. 1

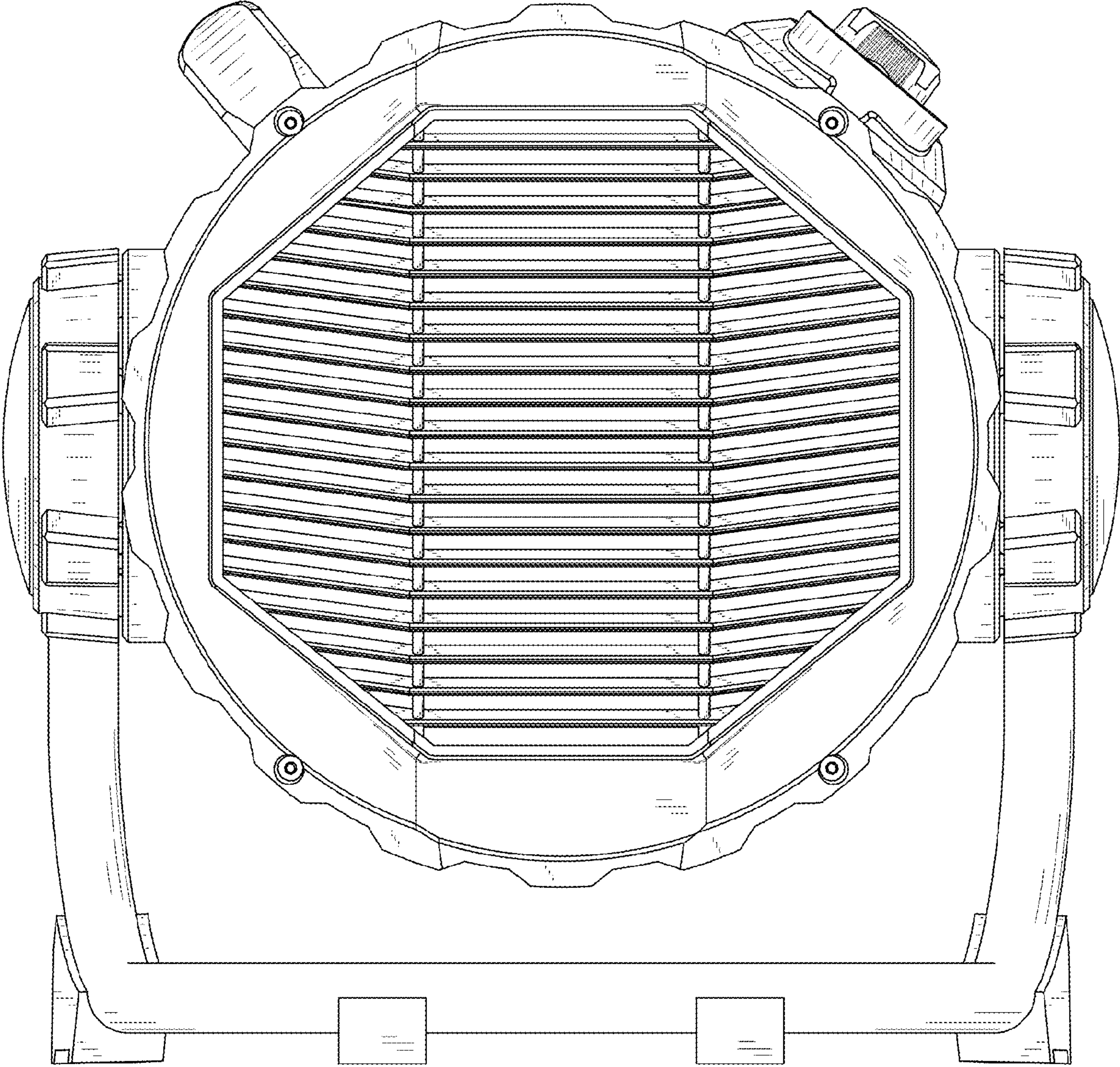


FIG. 2

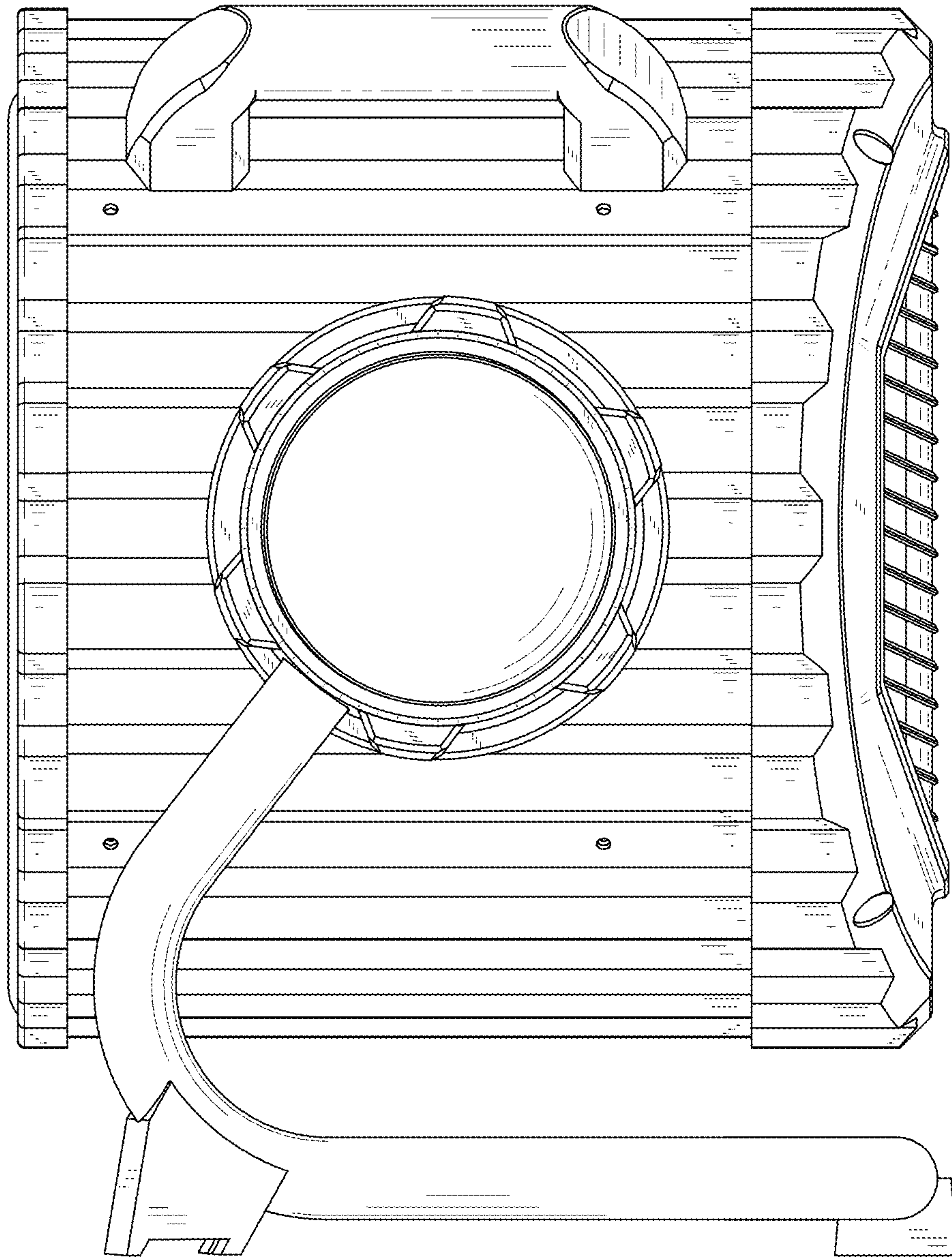


FIG. 3

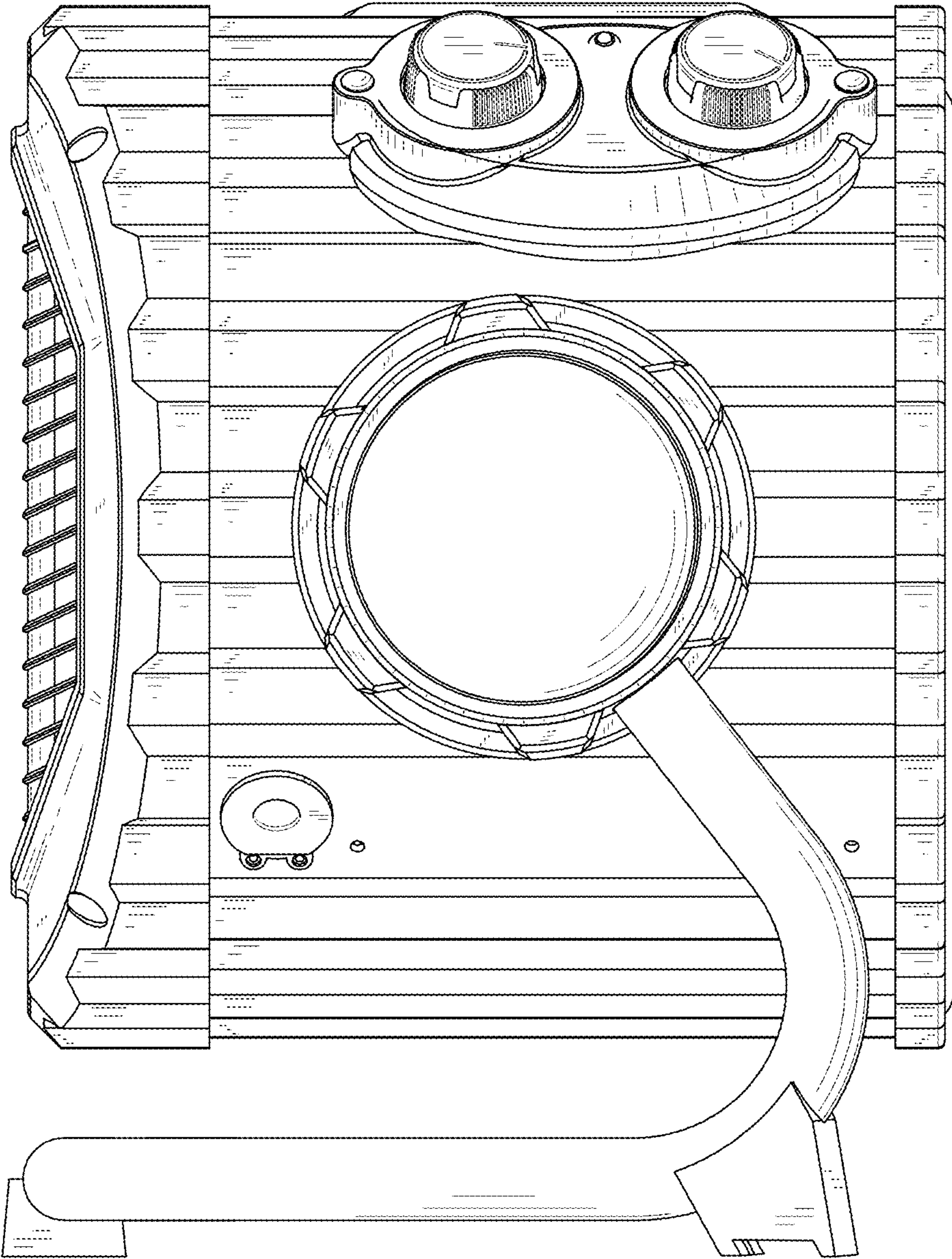


FIG. 4

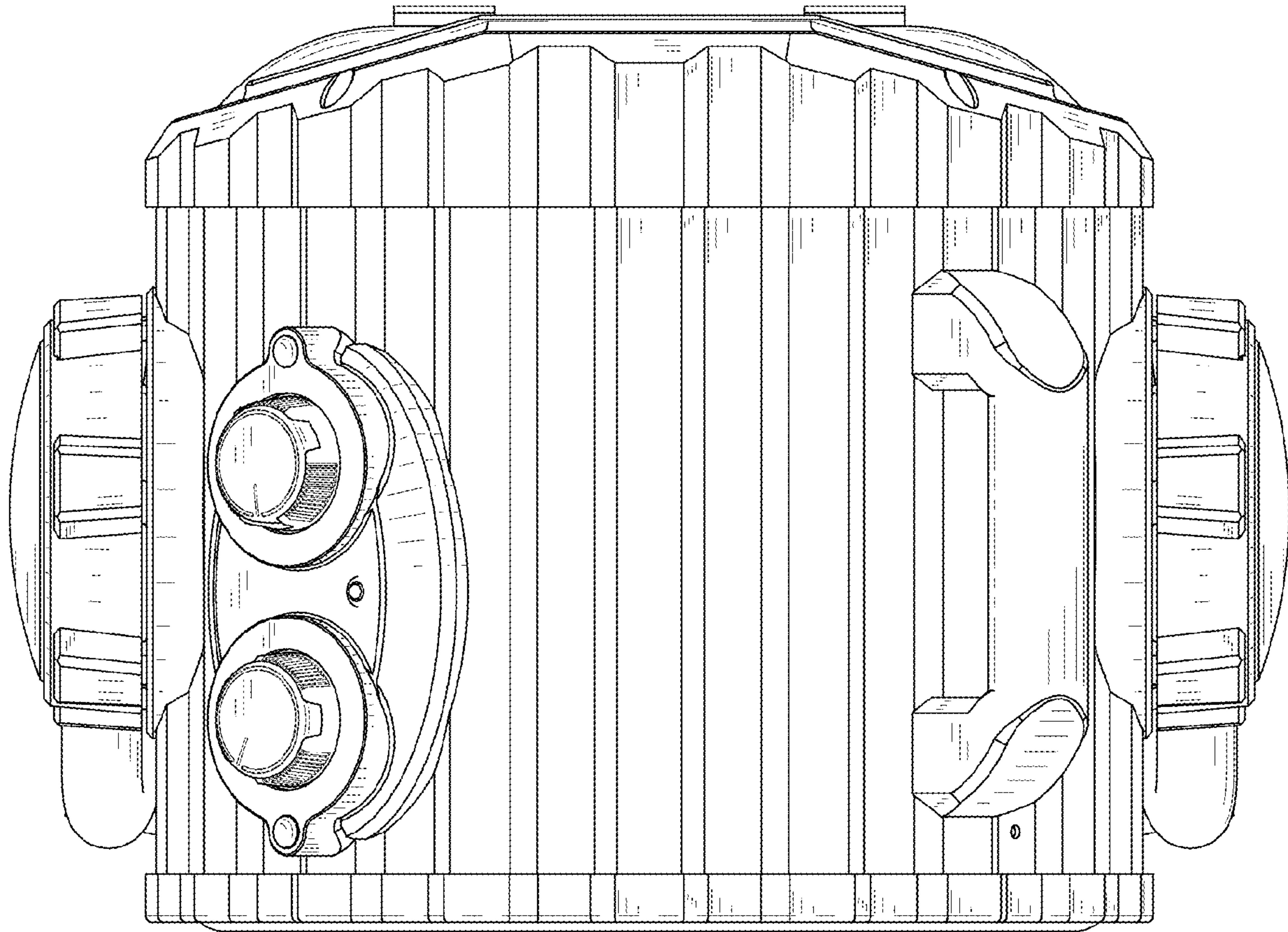


FIG. 5

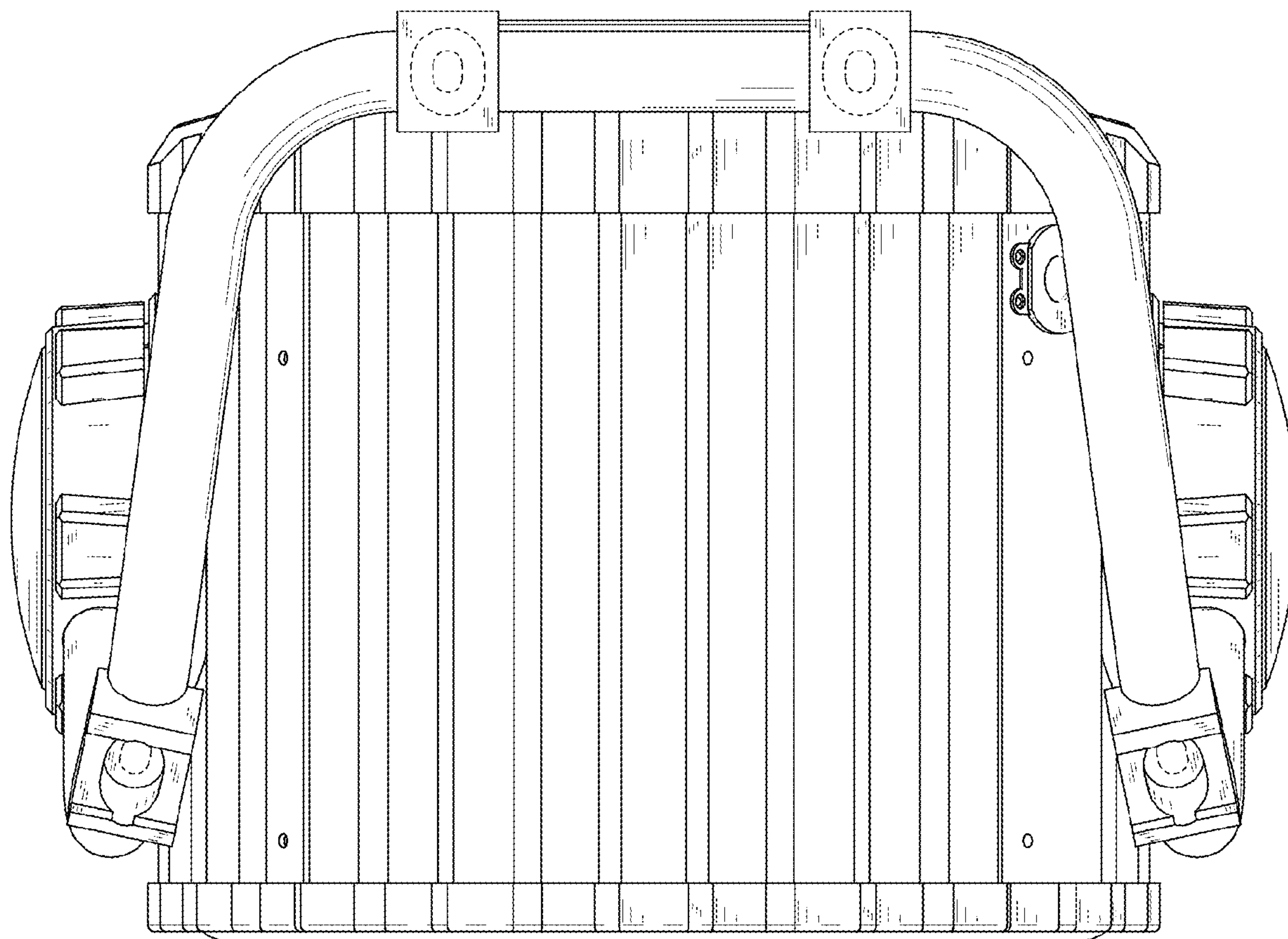


FIG. 6

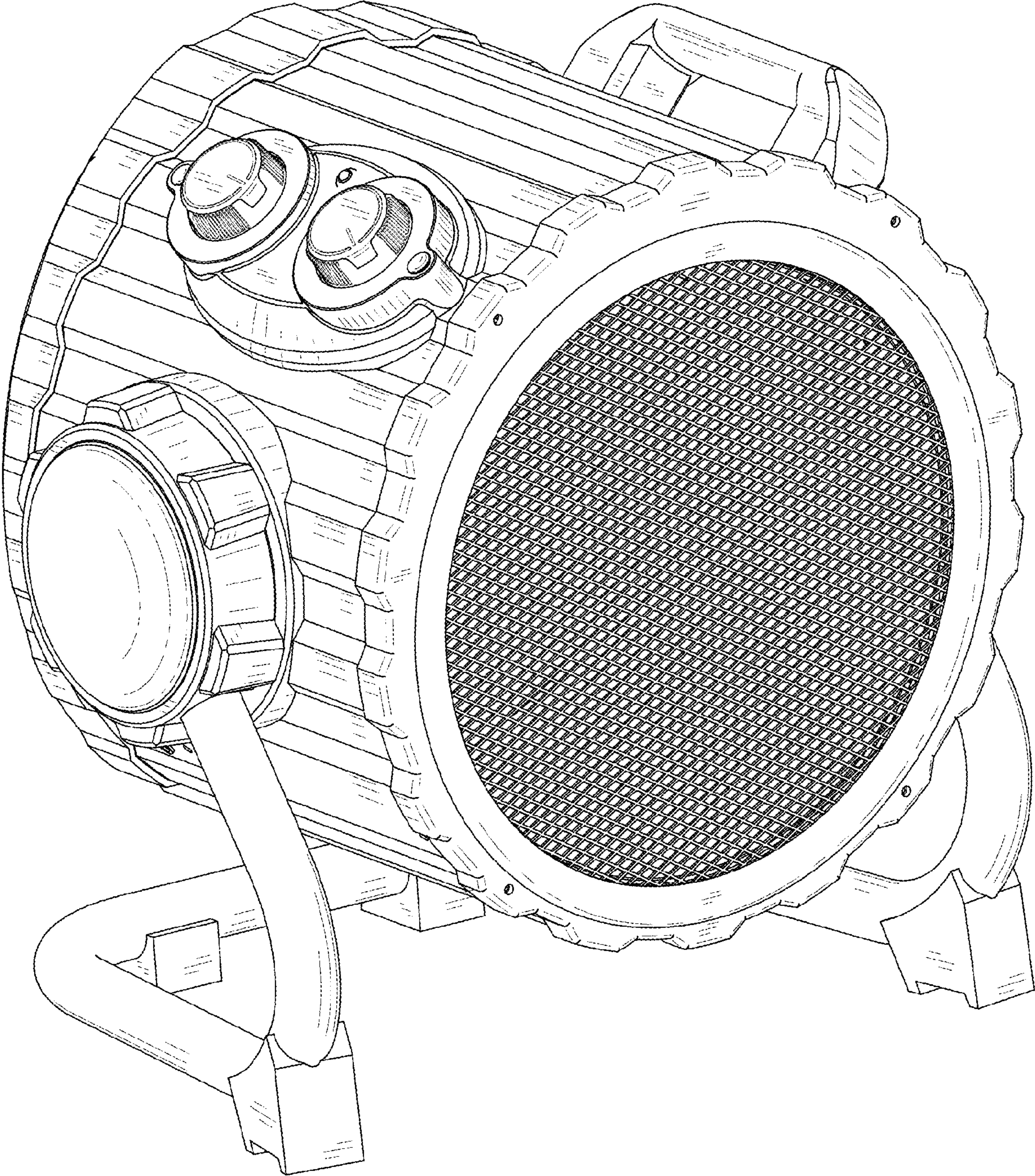


FIG. 7