



US00D905215S

(12) **United States Design Patent** (10) **Patent No.:** **US D905,215 S**
Herweck et al. (45) **Date of Patent:** **** Dec. 15, 2020**

(54) **PERSONAL HEATING OR COOLING
DEVICE LID**

- (71) Applicant: **Airwirl, LLC**, North Palm Beach, FL (US)
- (72) Inventors: **Steve A. Herweck**, Wellesley Hills, MA (US); **Dana Herweck**, Wellesley Hills, MA (US); **Michael McCarthy**, Palm Beach Gardens, FL (US)
- (73) Assignee: **Airwirl, LLC**, North Palm Beach, FL (US)
- (**) Term: **15 Years**
- (21) Appl. No.: **29/713,910**
- (22) Filed: **Nov. 19, 2019**
- (51) **LOC (12) Cl.** **23-03**
- (52) **U.S. Cl.**
USPC **D23/332**
- (58) **Field of Classification Search**
USPC D23/370-385, 411-414, 365, 364, 332,
D23/328, 333, 314, 355, 335
CPC .. F04D 25/084; F04D 25/0673; F04D 25/086;
F04D 27/009; F24F 6/02
See application file for complete search history.

(56) **References Cited**

U.S. PATENT DOCUMENTS

D244,692 S	6/1977	Schimanski	
D364,676 S	11/1995	Chiu et al.	
D440,288 S *	4/2001	Schaefer	D23/328
D443,053 S *	5/2001	Schaefer	D23/328
D464,130 S	10/2002	Denham et al.	
D628,285 S	11/2010	Febregas	
D631,954 S	2/2011	Bertassi	
D659,814 S	5/2012	Yamase	
D659,815 S	5/2012	Yamase	
D663,018 S	7/2012	Sordo	

(Continued)

OTHER PUBLICATIONS

Amazon.com, Airwirl Personal Cooling & Heating System—Portable Aircon—with Air Tube (Greystone), Apr. 11 2019, <https://www.amazon.com/Airwirl-Personal-Cooling-Portable-Greystone/dp/>(Year: 2019).

(Continued)

Primary Examiner — Ania Aman

(74) *Attorney, Agent, or Firm* — Morse, Barnes-Brown & Pendleton, P.C.; Sean D. Detweiler, Esq.

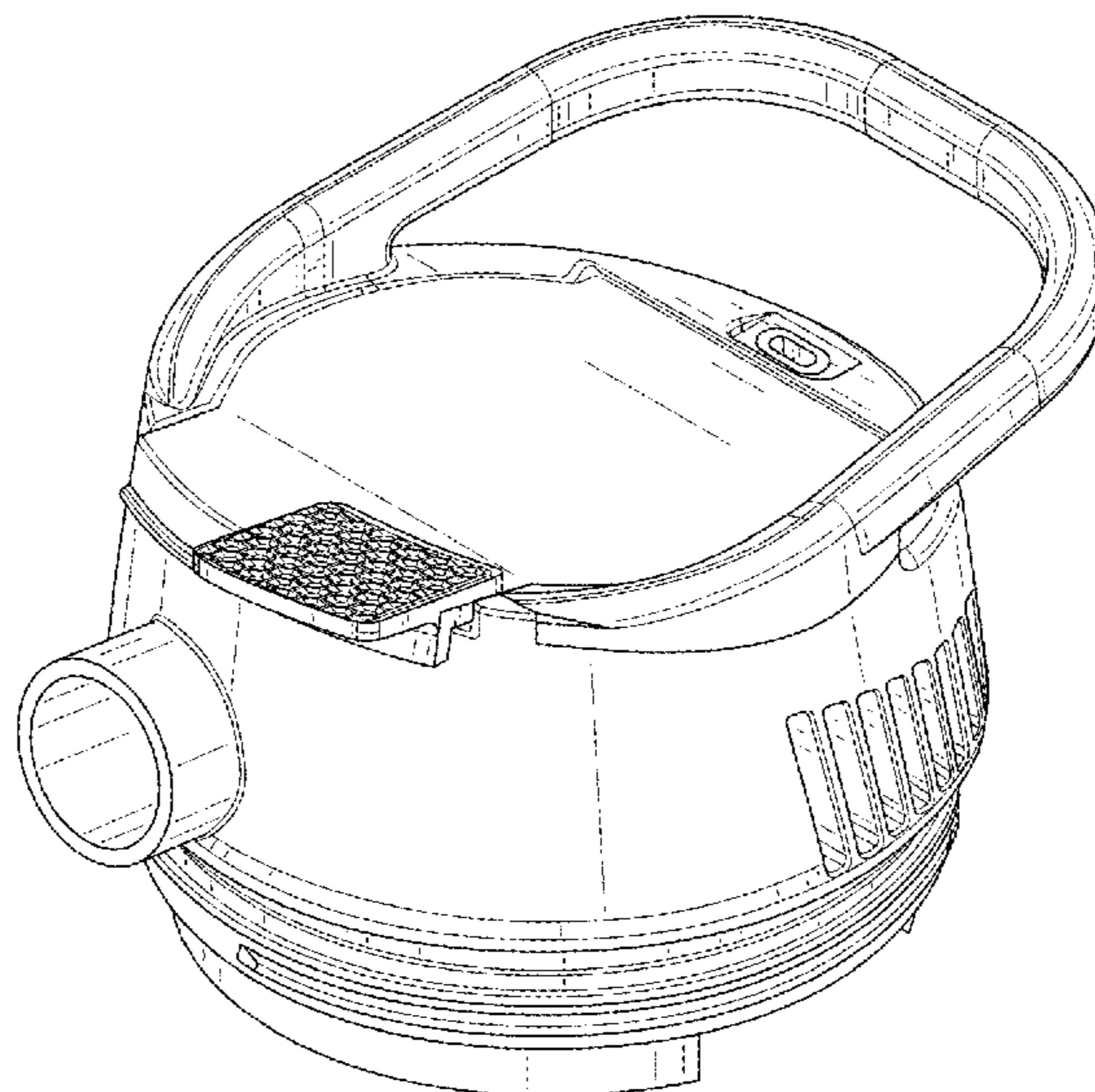
(57) **CLAIM**

The ornamental design for a personal heating or cooling device lid, as shown and described.

DESCRIPTION

FIG. 1 is a front elevation view of the personal heating or cooling device lid showing our new design;
 FIG. 2 is a right side elevation view of the personal heating or cooling device lid;
 FIG. 3 is a rear elevation view of the personal heating or cooling device lid;
 FIG. 4 is a left side elevation view of the personal heating or cooling device lid;
 FIG. 5 is a top plan view of the personal heating or cooling device lid;
 FIG. 6 is a bottom plan view of the personal heating or cooling device lid;
 FIG. 7 is a top front left side isometric view of the personal heating or cooling device lid;
 FIG. 8 is a top front right side isometric view of the personal heating or cooling device lid;
 FIG. 9 is a bottom front left side isometric view of the personal heating or cooling device lid; and,
 FIG. 10 is a bottom front right side isometric view of the personal heating or cooling device lid.
 In the drawings, the broken lines depict unclaimed subject matter only and form no part of the claimed design.

1 Claim, 5 Drawing Sheets



(56)

References Cited

U.S. PATENT DOCUMENTS

D700,694 S 3/2014 Sordo
D712,532 S 9/2014 Adair
D724,714 S 3/2015 Benson et al.
D731,635 S 6/2015 Venisti
D752,730 S 3/2016 Loubiere
D756,497 S 5/2016 Norman et al.
D757,239 S 5/2016 Kim et al.
D763,430 S 8/2016 Shin
D777,311 S * 1/2017 Chen D23/332
D782,638 S 3/2017 Rossi
D790,679 S 6/2017 Miller et al.
D797,999 S * 9/2017 Seymour A63C 13/00
D29/126
D810,260 S 2/2018 Sevy
D810,263 S 2/2018 Lu
D810,265 S 2/2018 Chen
D813,366 S 3/2018 Tang

D816,823 S 5/2018 Gobber
D822,817 S * 7/2018 Maeckelberghe D23/358
D855,167 S 7/2019 Li
D859,622 S 9/2019 Herweck et al.
D874,623 S * 2/2020 Lupi D23/333

OTHER PUBLICATIONS

Notice of Allowance from U.S. Appl. No. 29/616,829, dated Jun. 4, 2019.
Office Action from U.S. Appl. No. 29/616,829, dated Dec. 6, 2018.
Office Action from U.S. Appl. No. 29/616,829, dated Jun. 15, 2018.
Office Action from U.S. Appl. No. 29/638,930, dated Sep. 6, 2019.
Non-Final Office Action from U.S. Appl. No. 29/672,323, dated Jul. 1, 2020.
Non-Final Office Action from U.S. Appl. No. 29/638,930, dated Aug. 4, 2020.

* cited by examiner

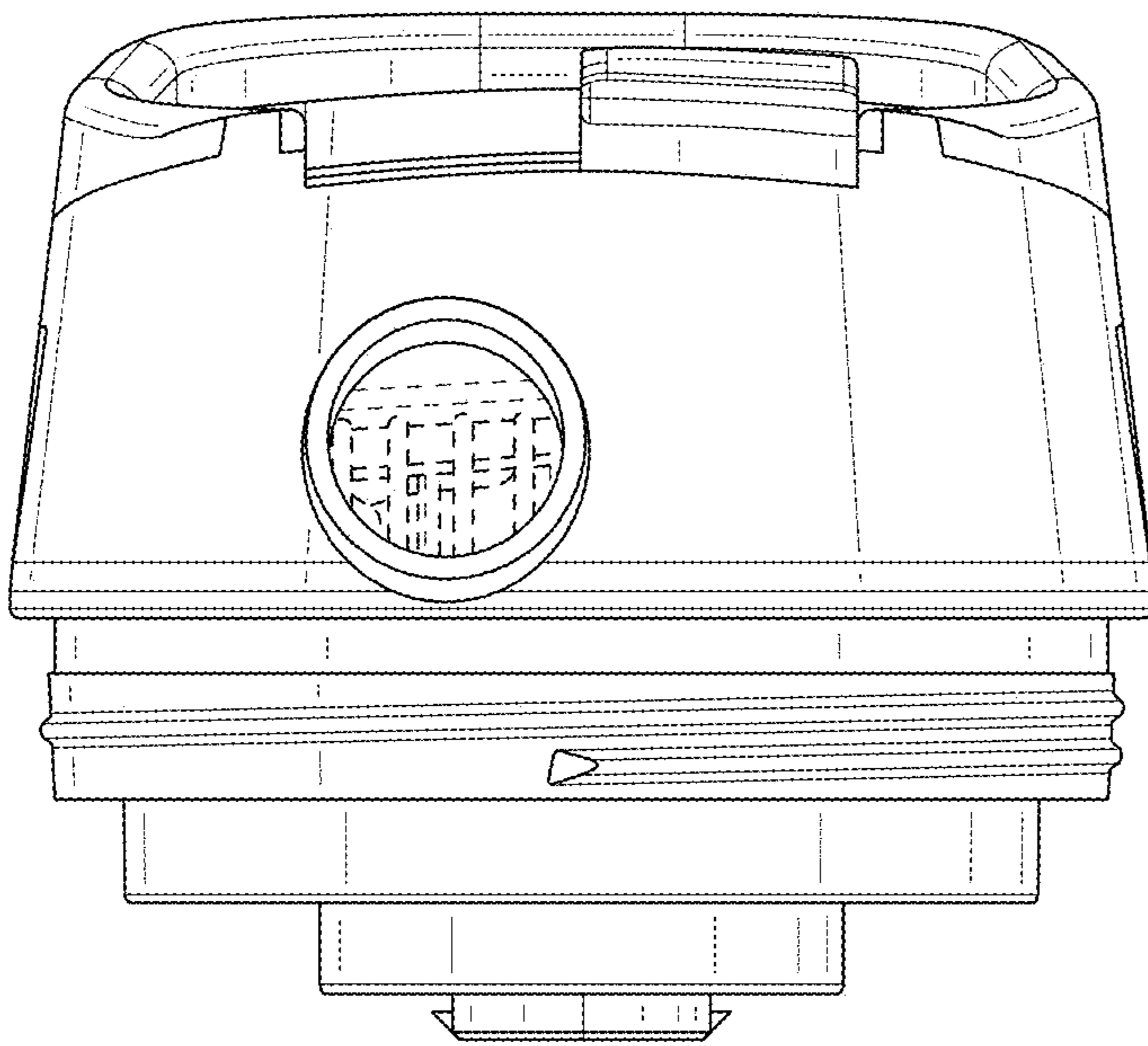


FIG. 1

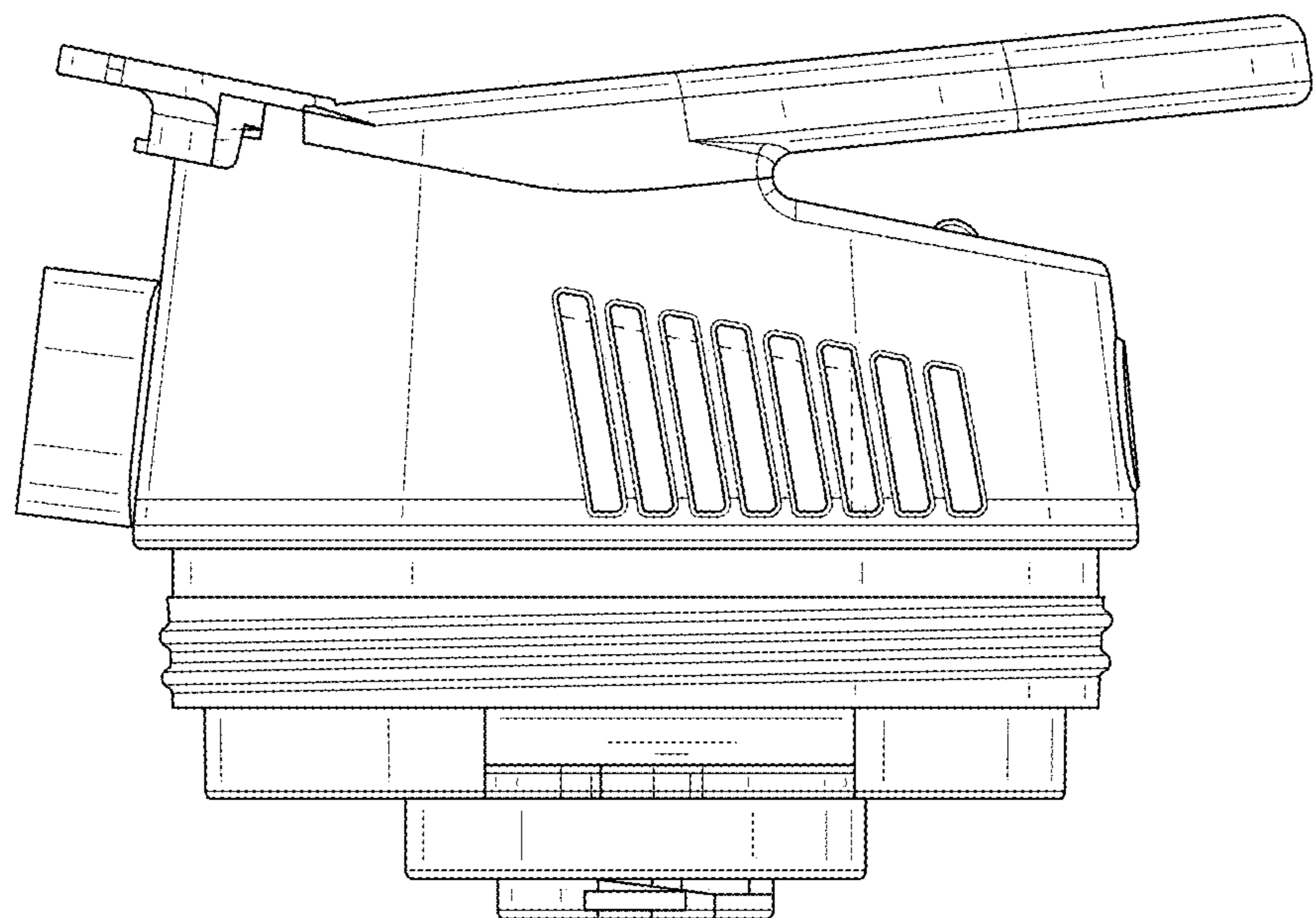


FIG. 2

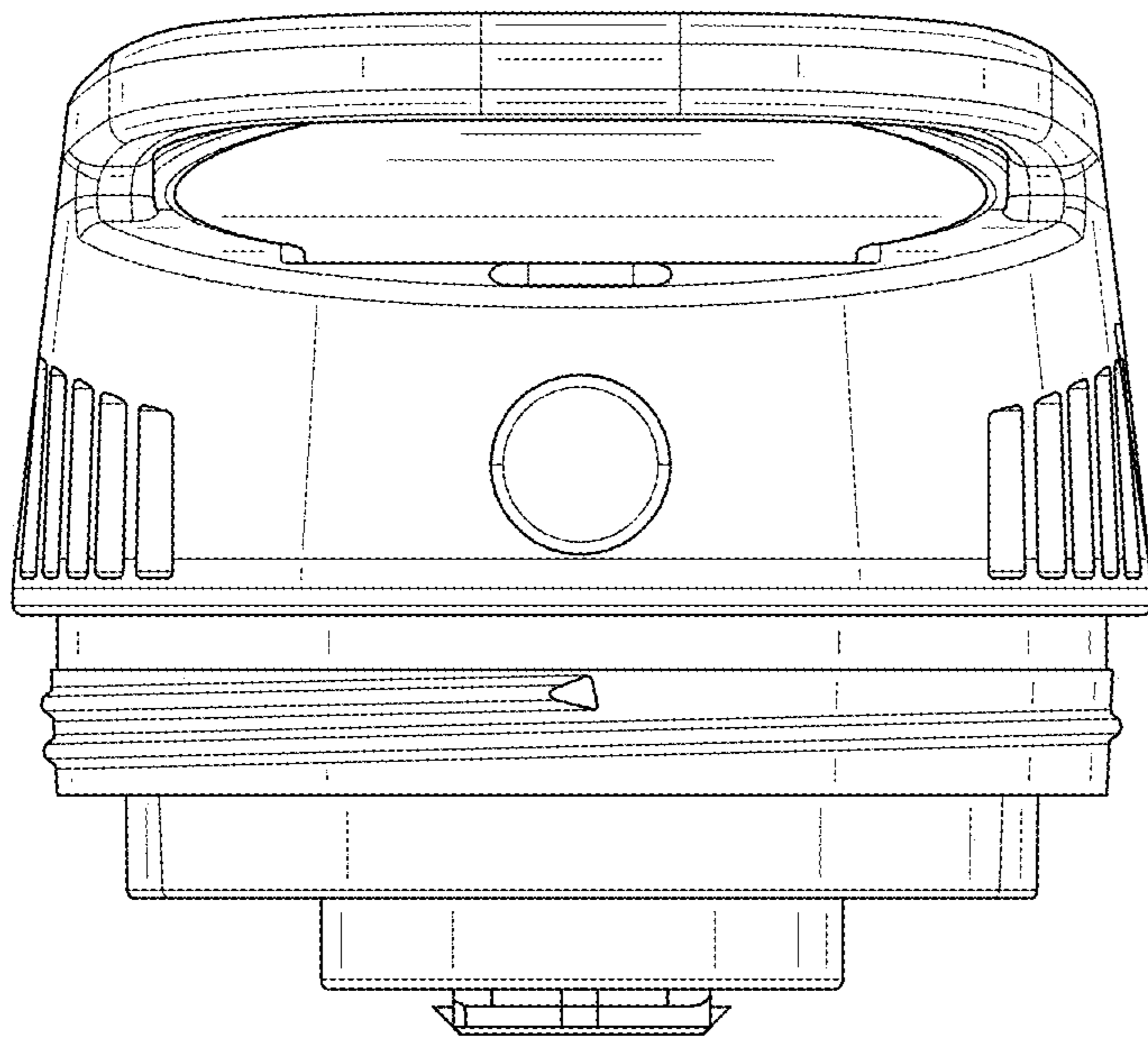


FIG. 3

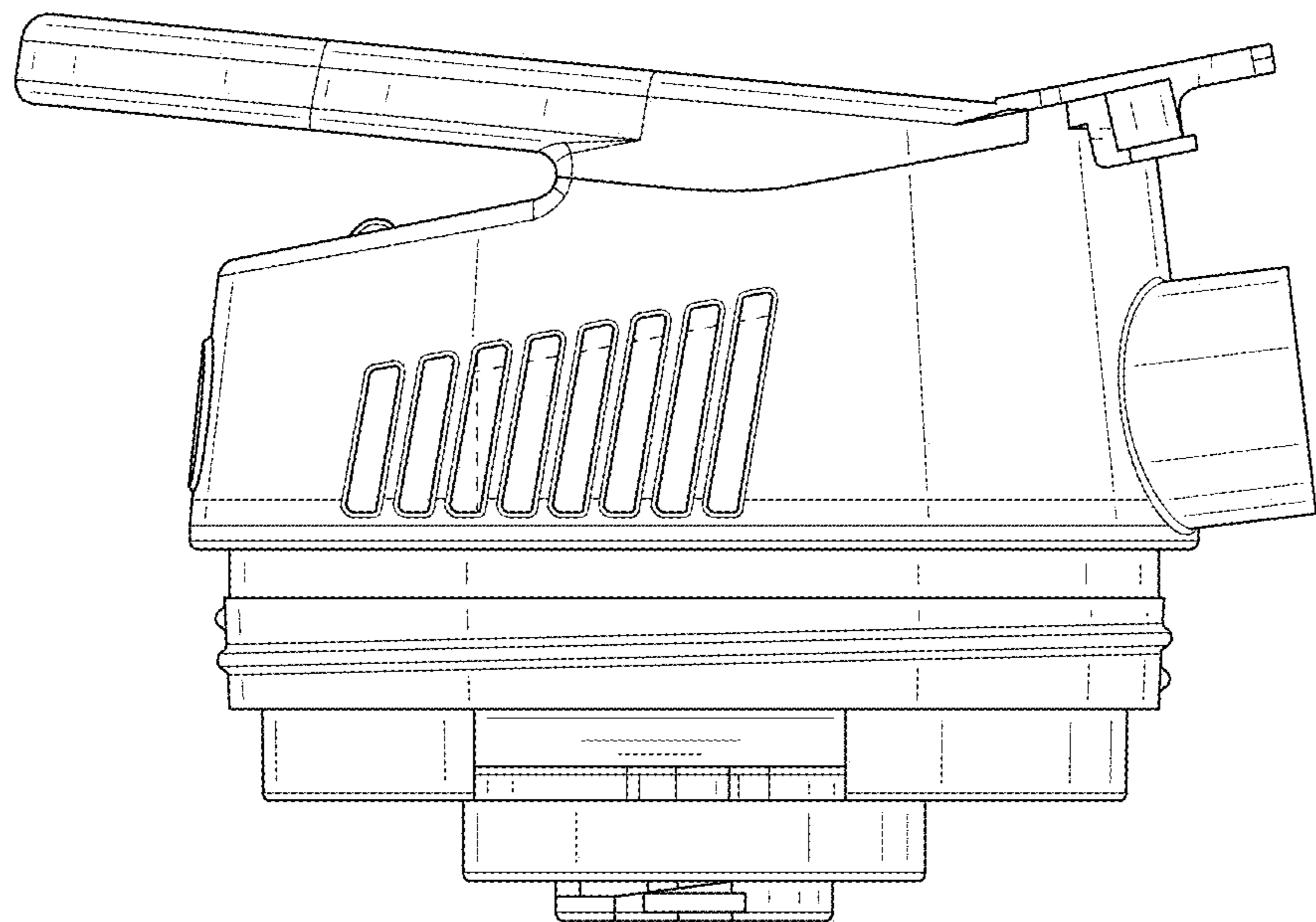


FIG. 4

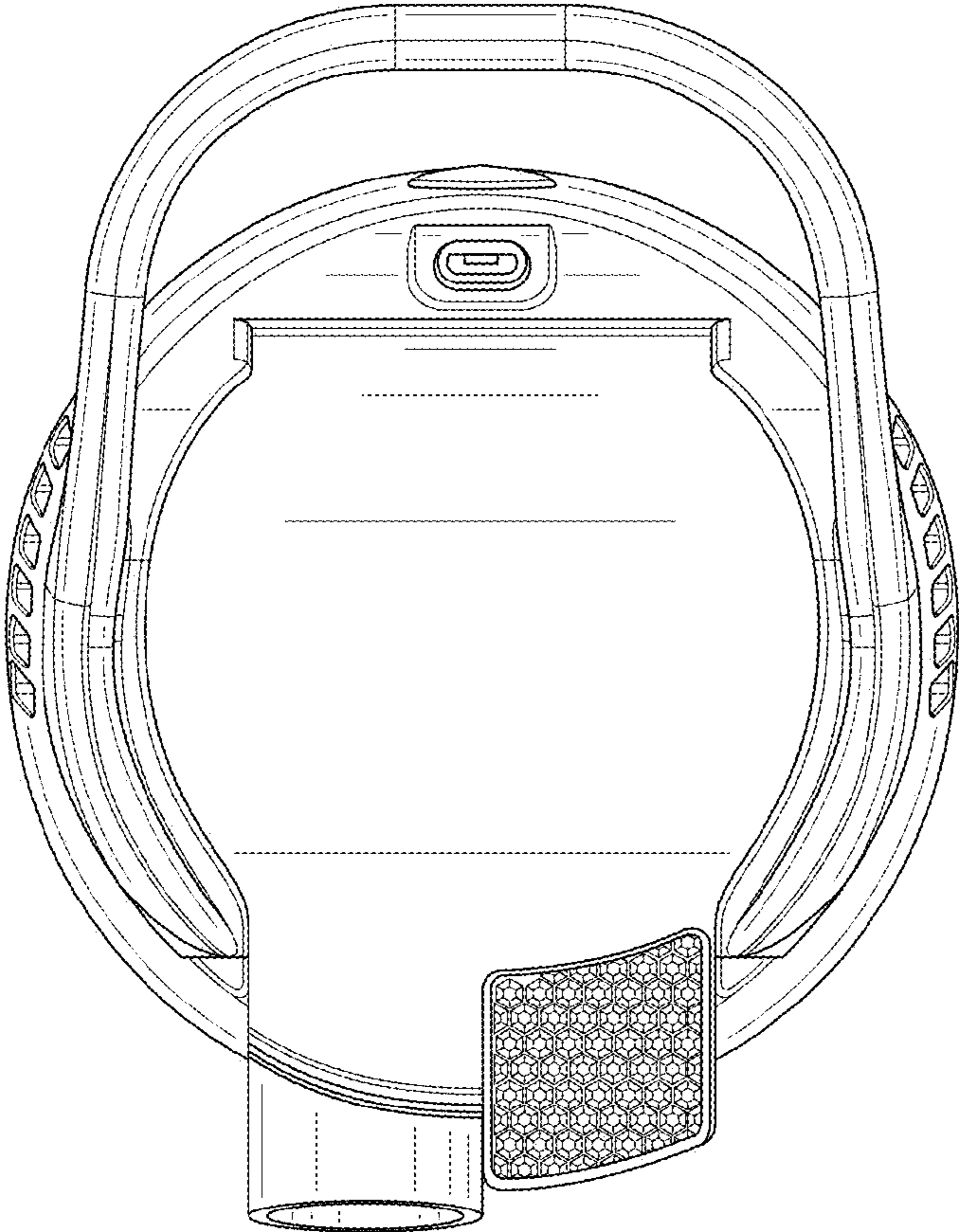


FIG. 5

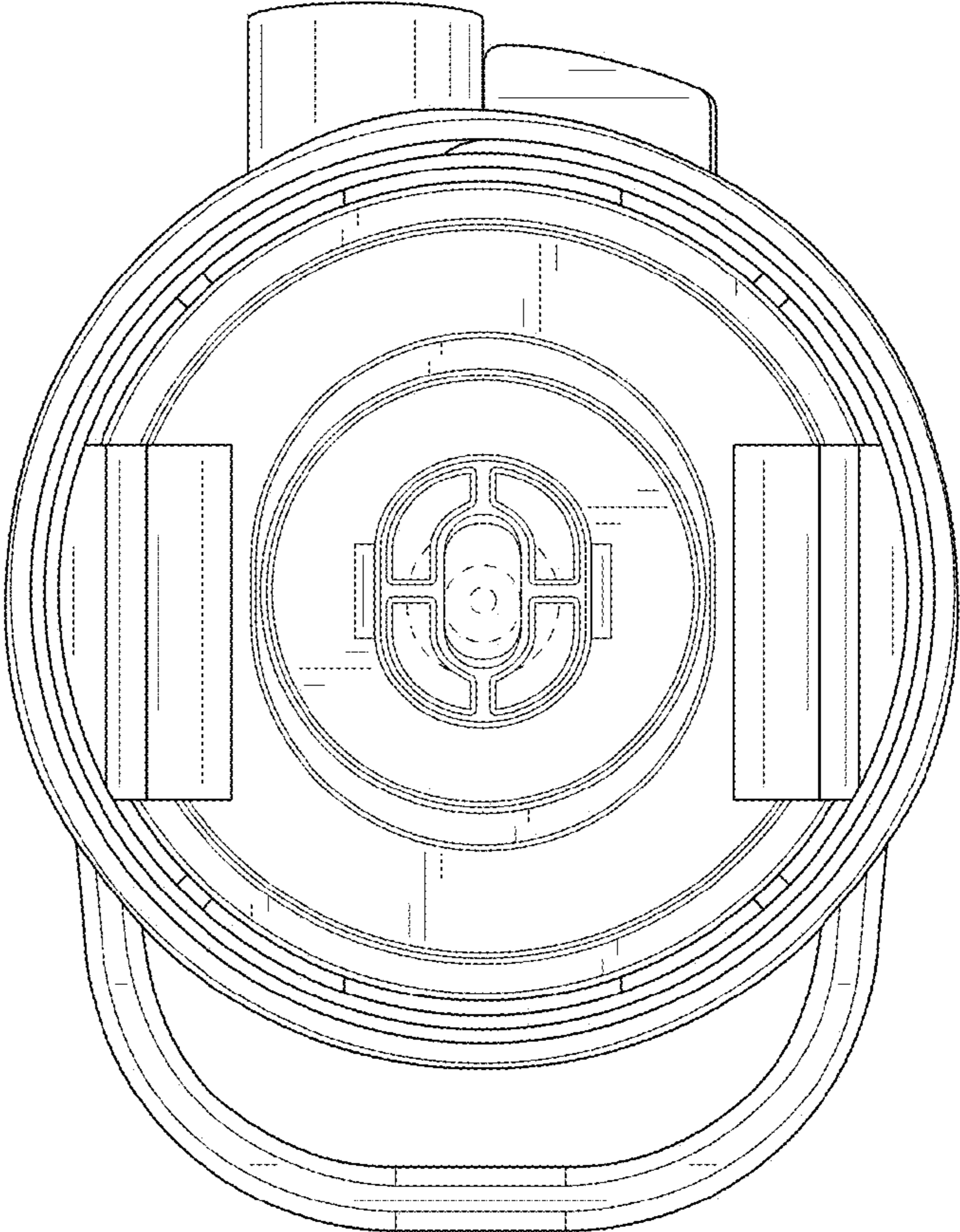


FIG. 6

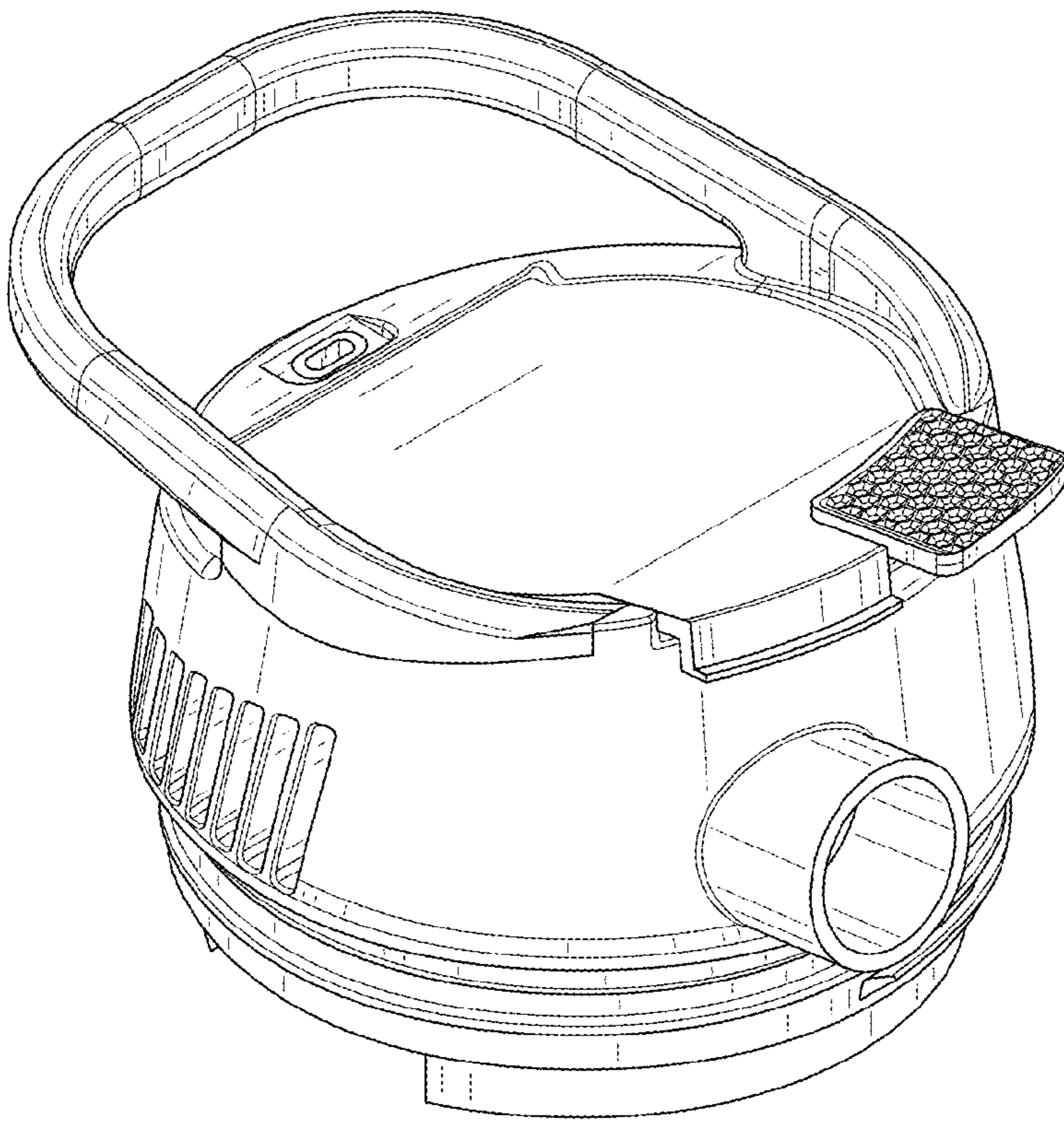


FIG. 7

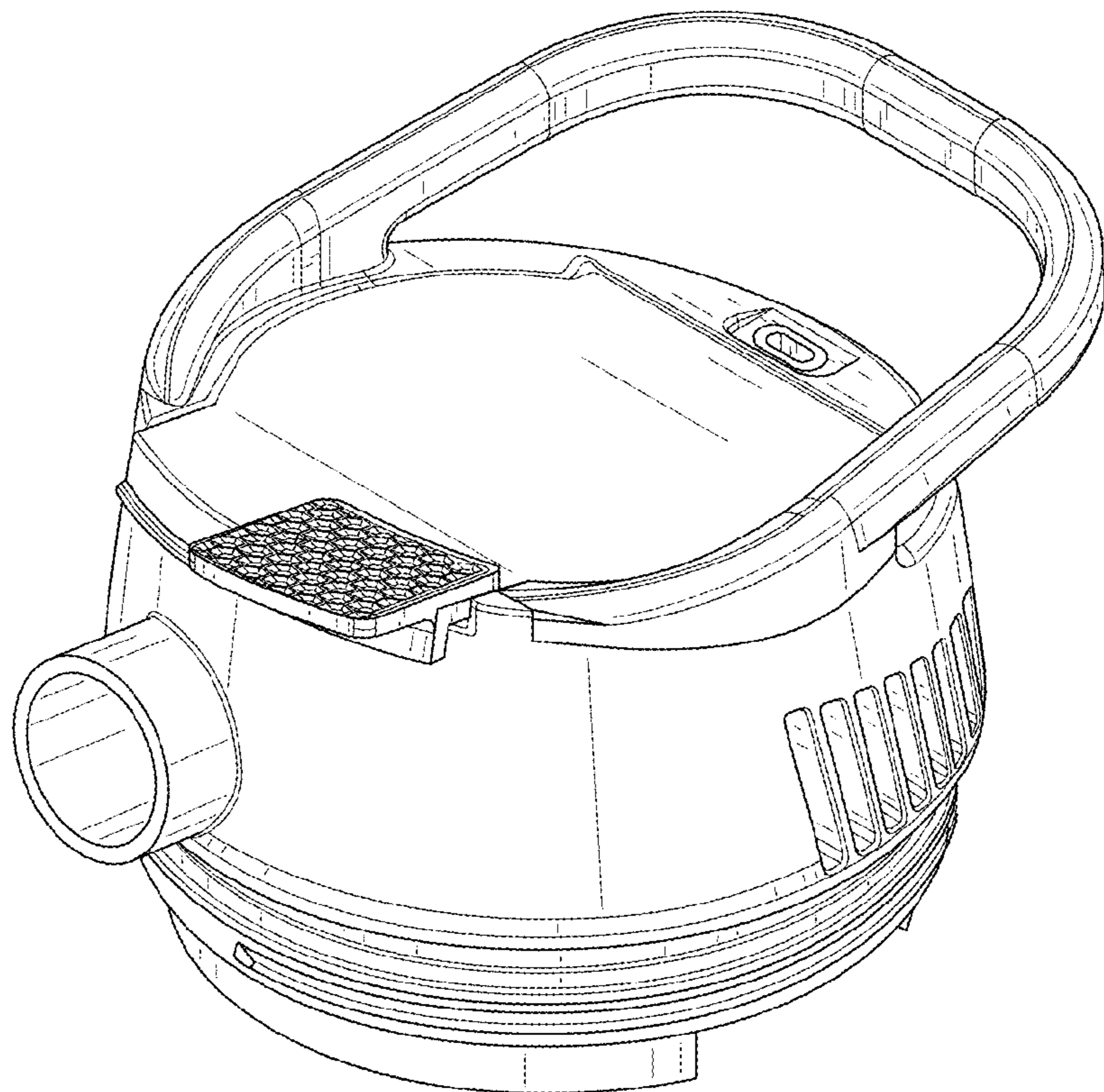


FIG. 8

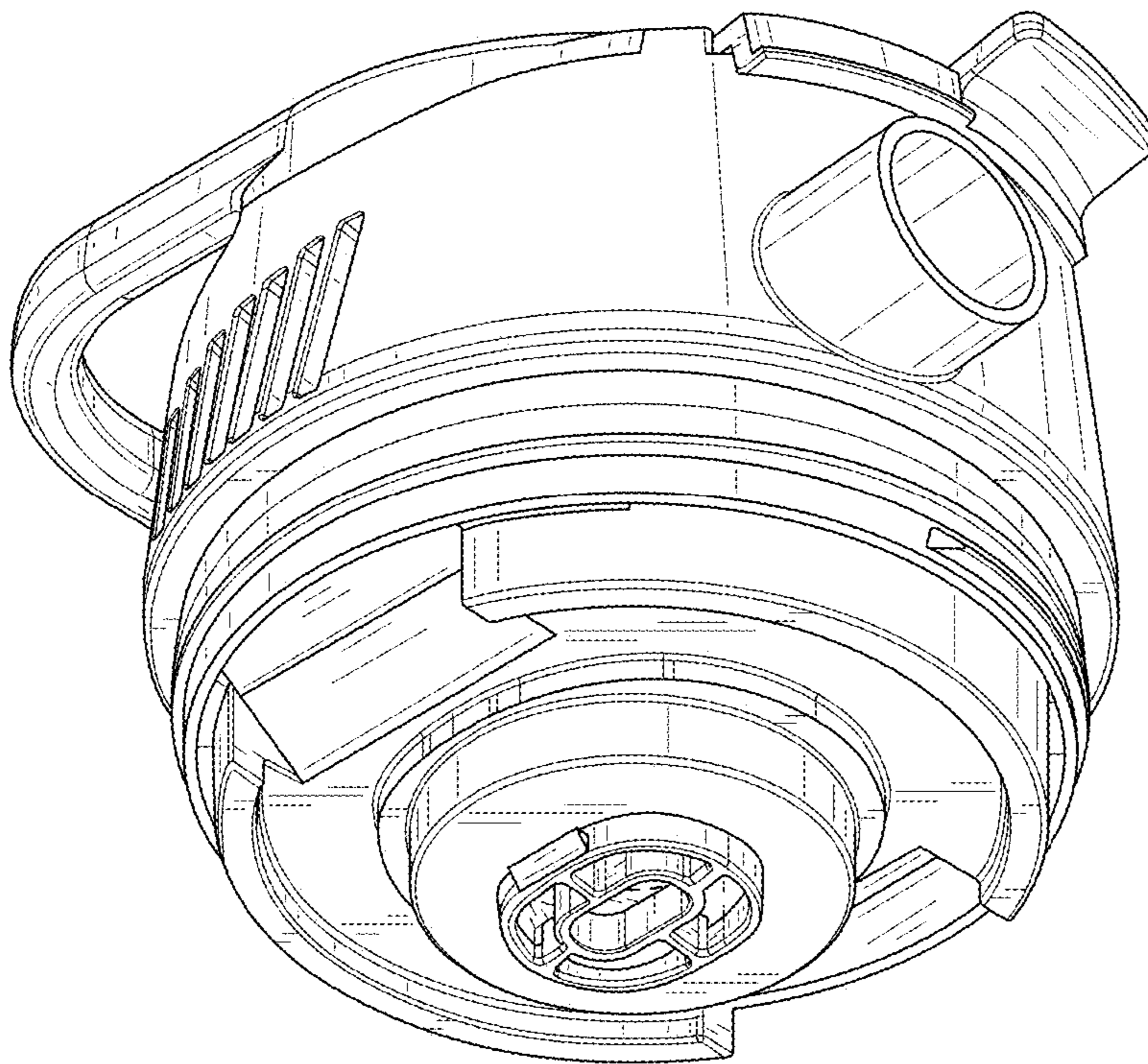


FIG. 9

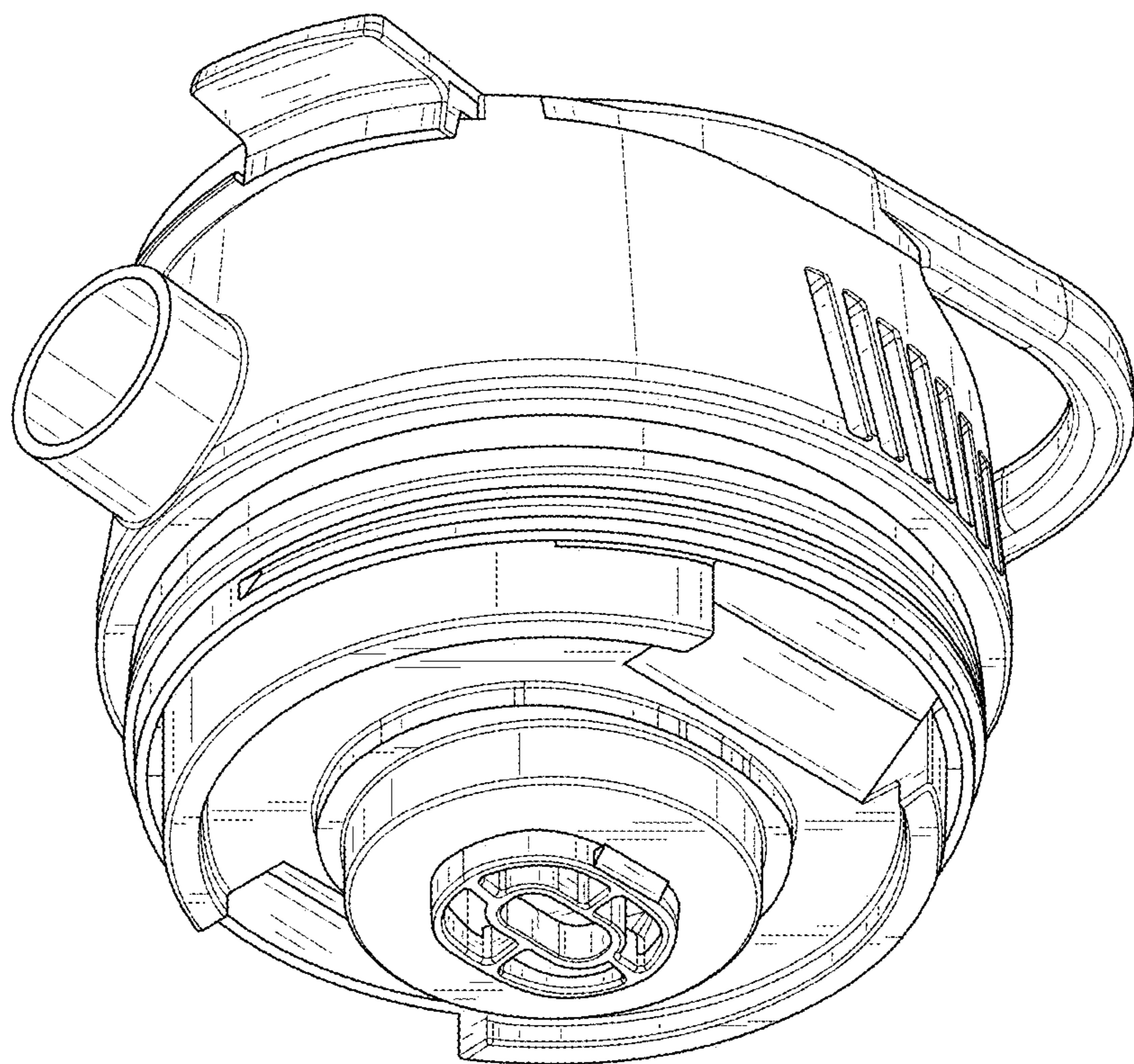


FIG. 10