



US00D905214S

(12) **United States Design Patent** (10) **Patent No.:** **US D905,214 S**
Wegener et al. (45) **Date of Patent:** **** *Dec. 15, 2020**

(54) **HEATER**

(71) Applicant: **Webasto SE**, Stockdorf (DE)

(72) Inventors: **Fritz Wegener**, Stockdorf (DE); **Andi Liebig**, Stockdorf (DE); **Andreas Janker**, Stockdorf (DE); **Stephan Buckl**, Stockdorf (DE); **Carsten Siebold**, Stockdorf (DE); **Markus Beier**, Stockdorf (DE)

(73) Assignee: **WEBASTO SE**, Stockdorf (DE)

(*) Notice: This patent is subject to a terminal disclaimer.

(**) Term: **15 Years**

(21) Appl. No.: **29/686,940**

(22) Filed: **Apr. 9, 2019**

(30) **Foreign Application Priority Data**

Mar. 27, 2019 (EM) 006345575

(51) **LOC (12) Cl.** **12-16**

(52) **U.S. Cl.**
USPC **D23/324**

(58) **Field of Classification Search**
USPC D23/314, 324, 322, 323, 317
CPC .. B60H 1/2218; B60H 1/2221; B60H 1/2225;
H05B 1/0236; H05B 3/262; F24H 1/009;
F24H 1/142; F24H 9/0015; F24H 9/2028;
F28F 3/12; F28F 13/12

See application file for complete search history.

(56) **References Cited**

U.S. PATENT DOCUMENTS

5,841,634	A *	11/1998	Visser	F28F 3/12	361/699
D813,363	S *	3/2018	Wegener	D23/324	
D875,908	S *	2/2020	Wegener	D23/324	
2005/0019028	A1 *	1/2005	Kuebler	B60S 1/488	392/484
2012/0325447	A1 *	12/2012	You	F28F 3/048	165/170
2015/0110479	A1 *	4/2015	Wu	F24H 9/2028	392/490
2016/0360572	A1 *	12/2016	Bohlender	F24H 9/1872	
2018/0261526	A1 *	9/2018	Machler	F28F 3/12	

* cited by examiner

Primary Examiner — Ania Aman

(74) *Attorney, Agent, or Firm* — Quarles & Brady LLP

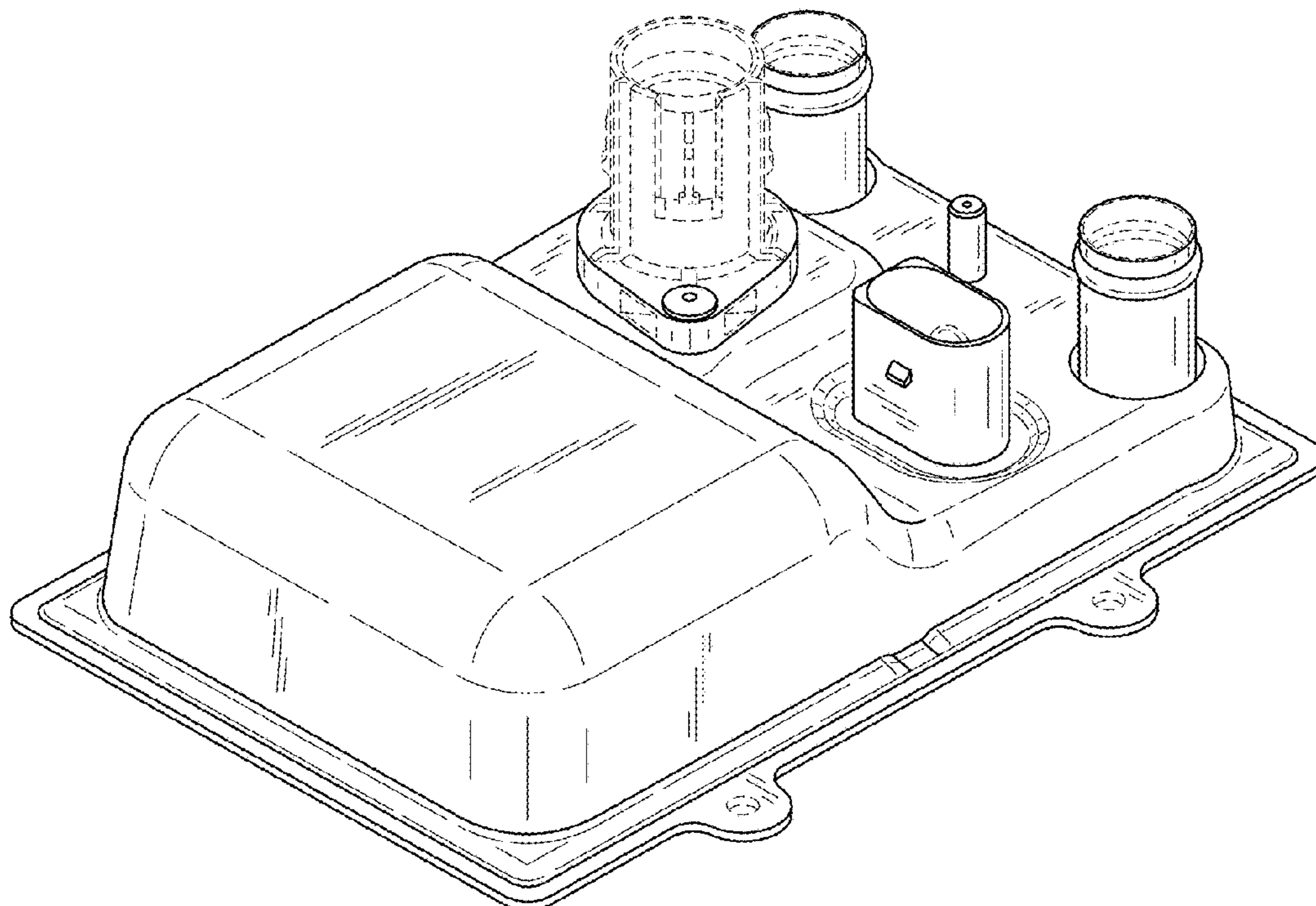
(57) **CLAIM**

An ornamental design for a heater, as shown and described.

DESCRIPTION

FIG. 1 is a top, front, right isometric view of a heater;
FIG. 2 is a front side view of FIG. 1;
FIG. 3 is a rear side view of FIG. 1;
FIG. 4 is a left view of FIG. 1;
FIG. 5 is a right side view of FIG. 1;
FIG. 6 is a top side view of FIG. 1; and,
FIG. 7 is a bottom view of FIG. 1.
In the drawings, the broken lines depict environmental subject matter only and form no part of the claimed design.

1 Claim, 6 Drawing Sheets



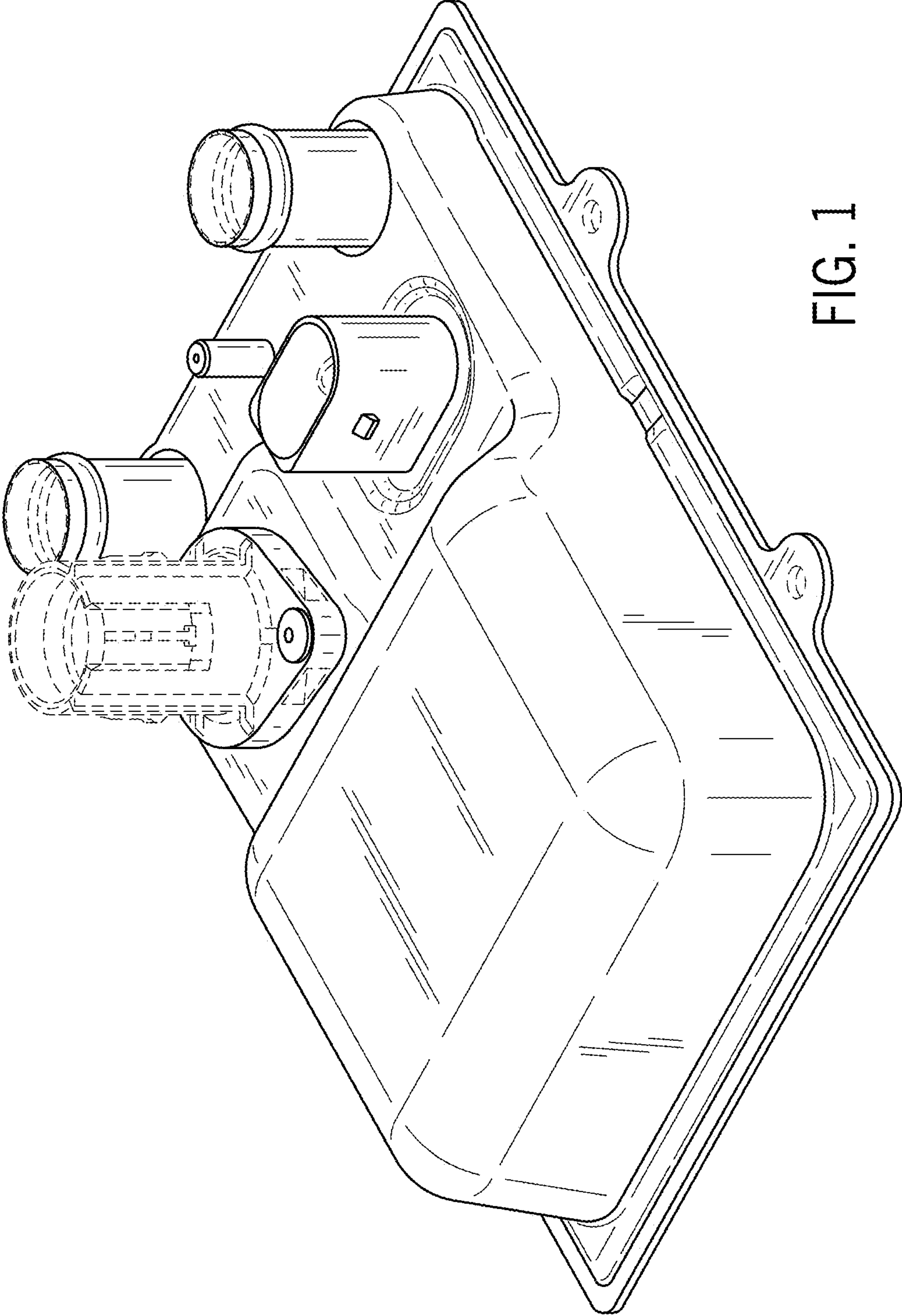


FIG. 1

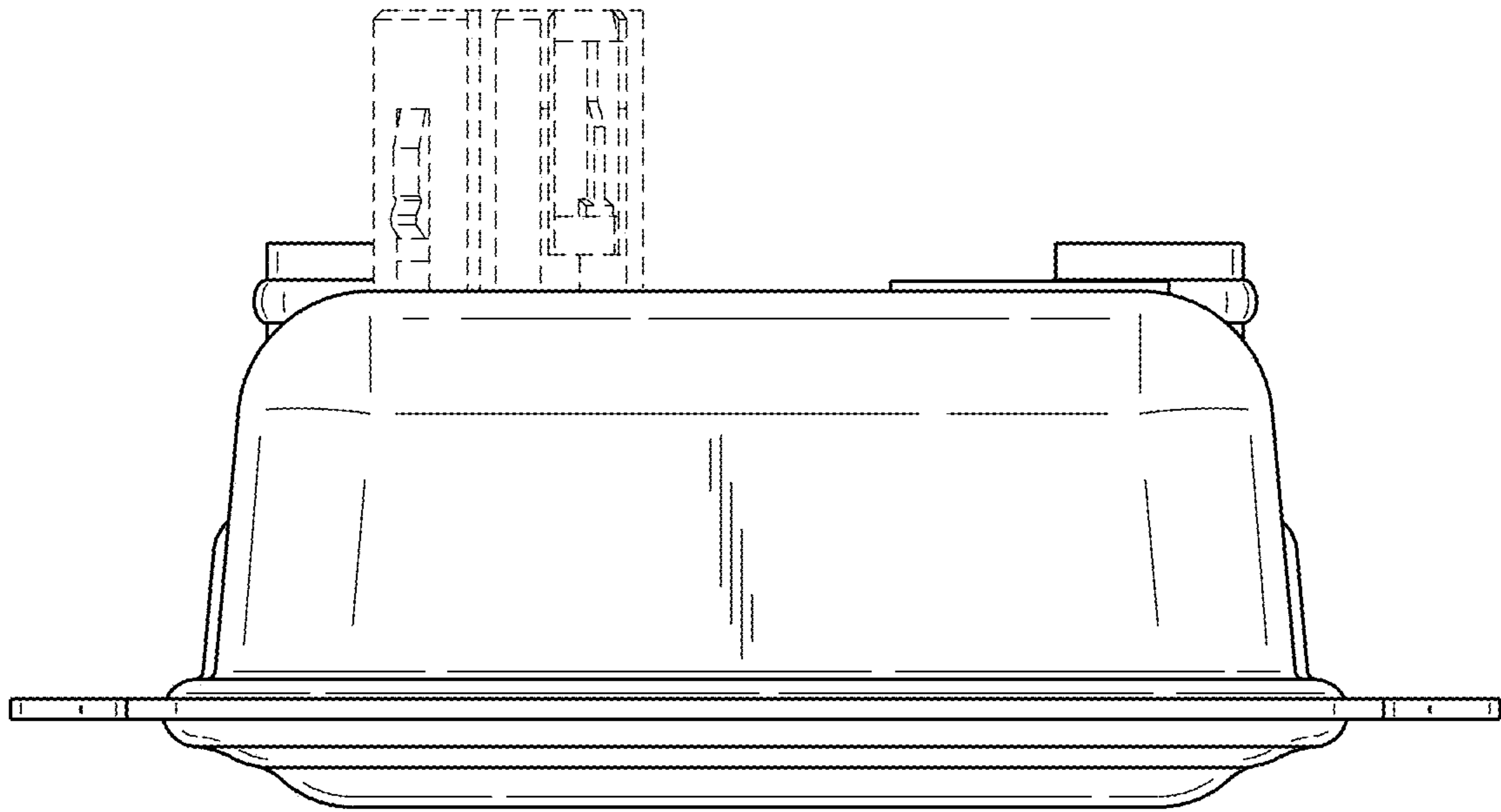


FIG. 2

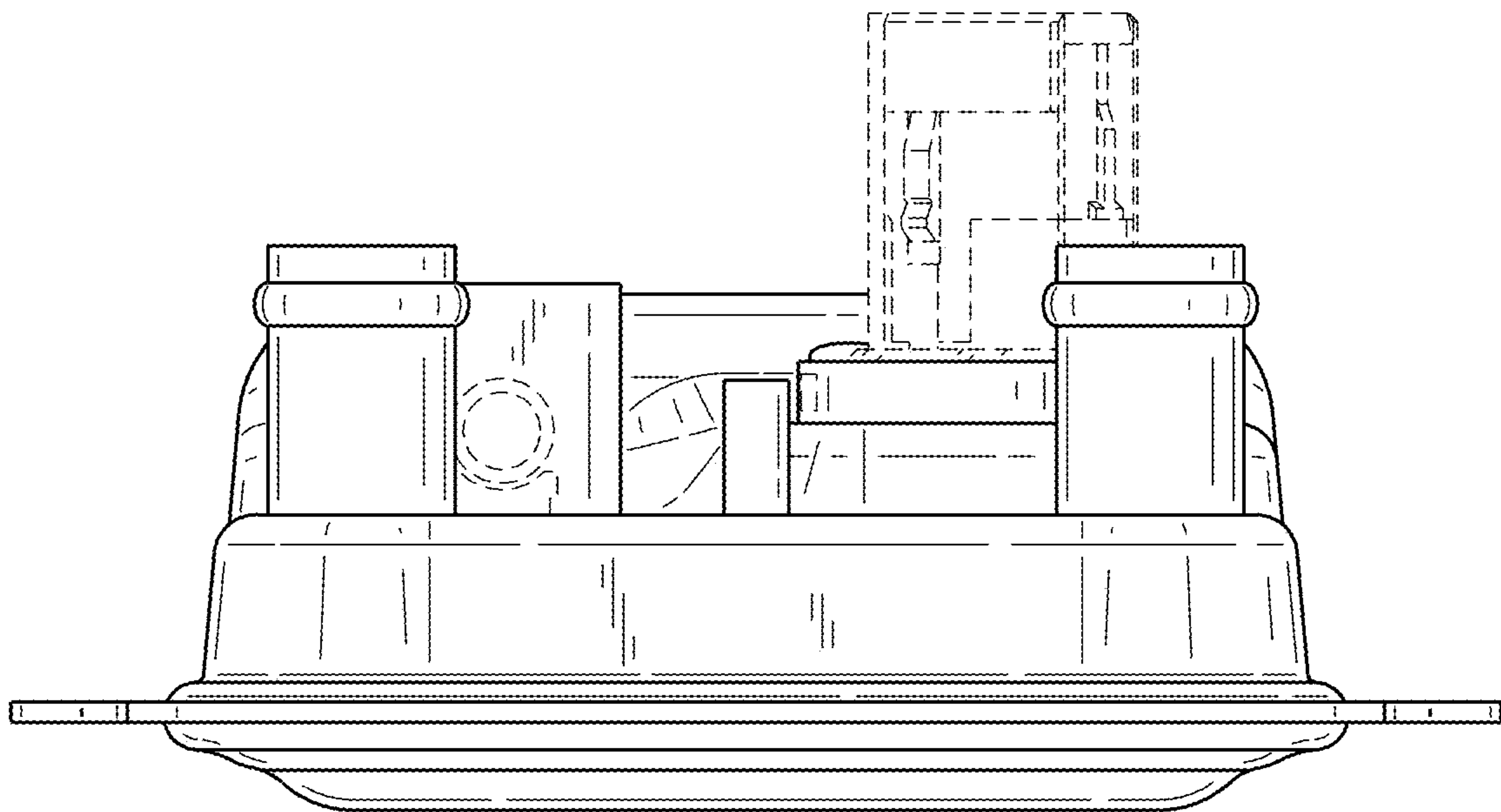


FIG. 3

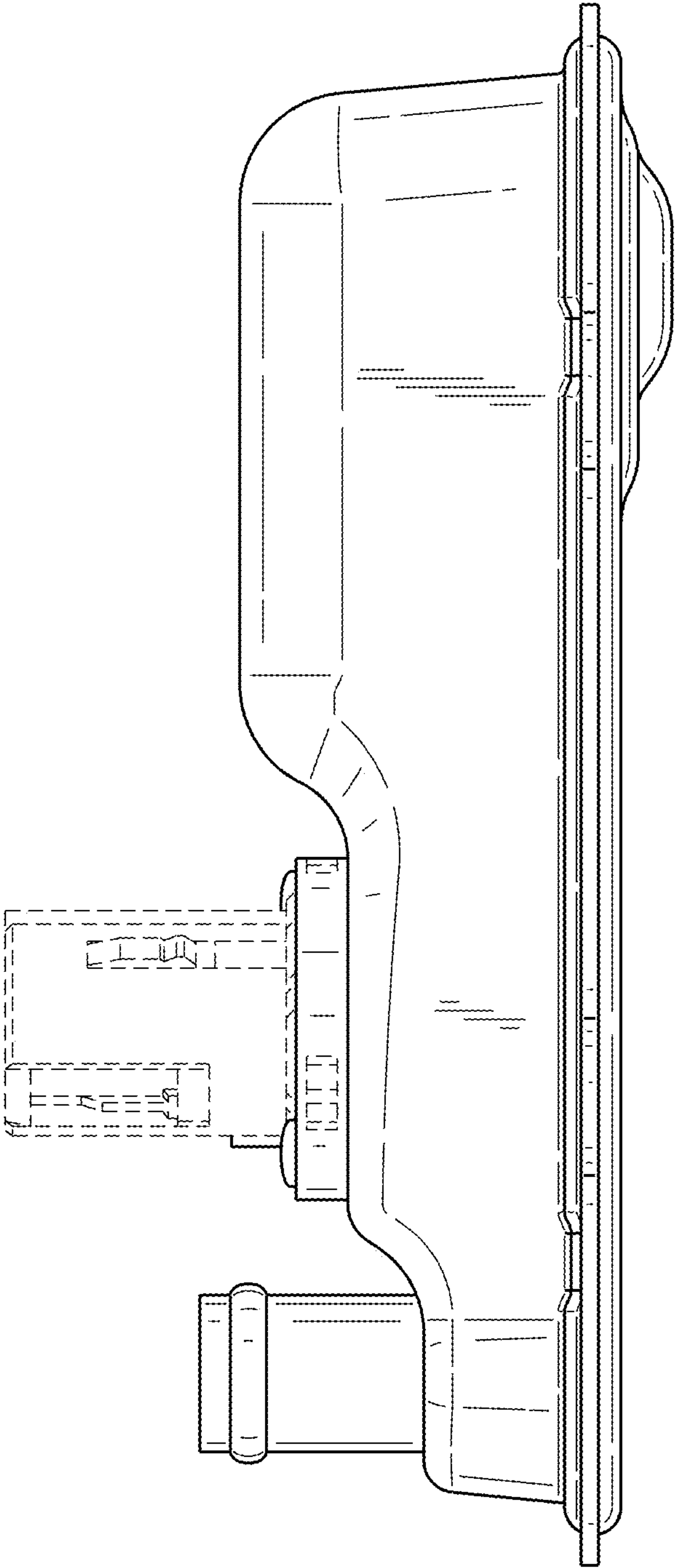


FIG. 4

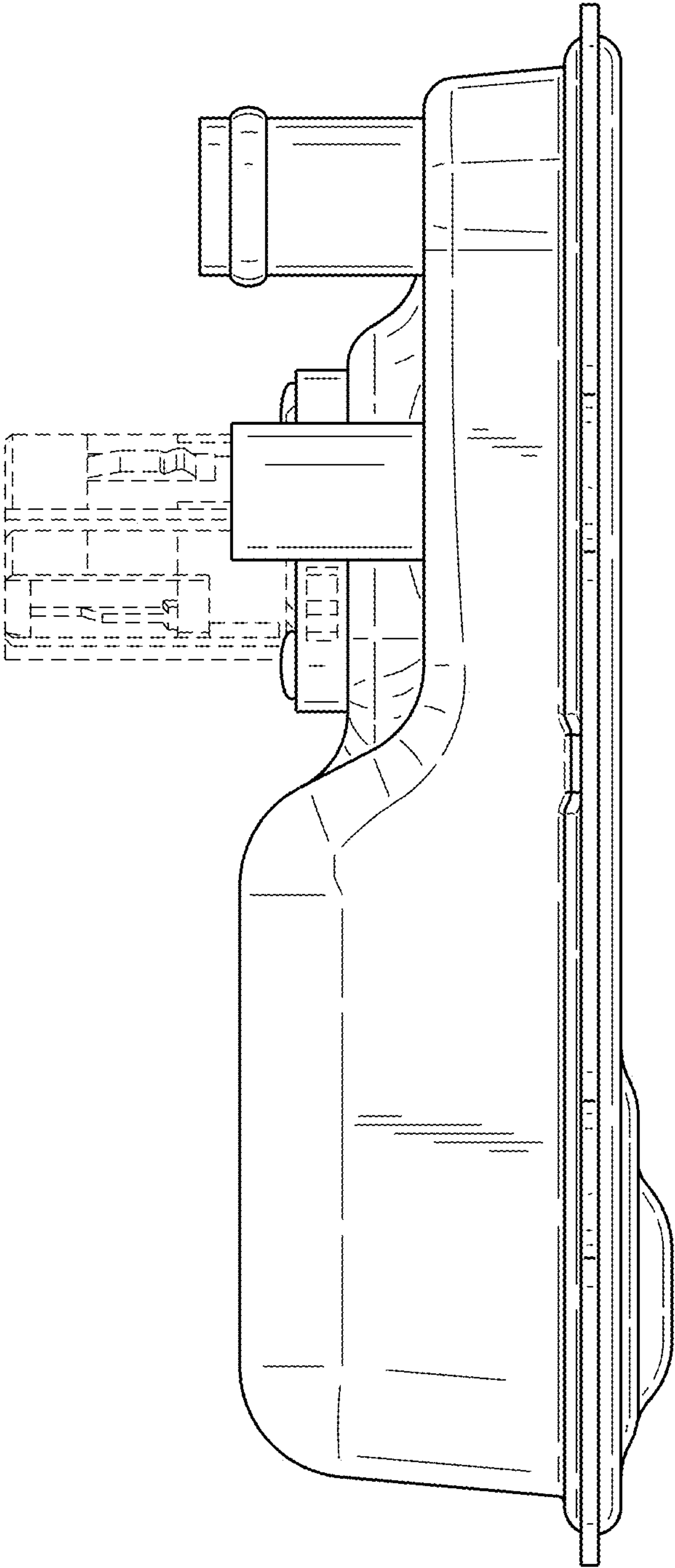


FIG. 5

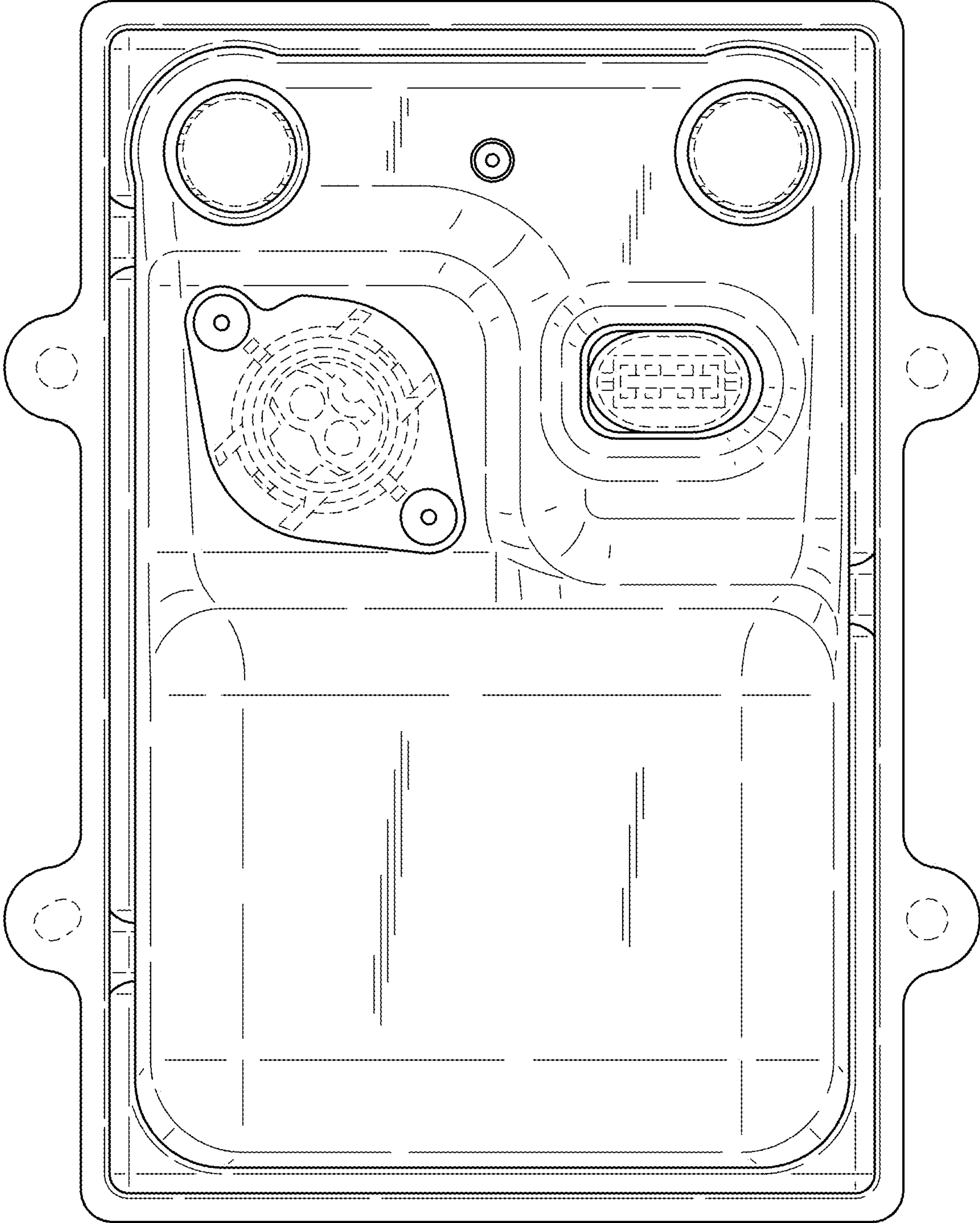


FIG. 6

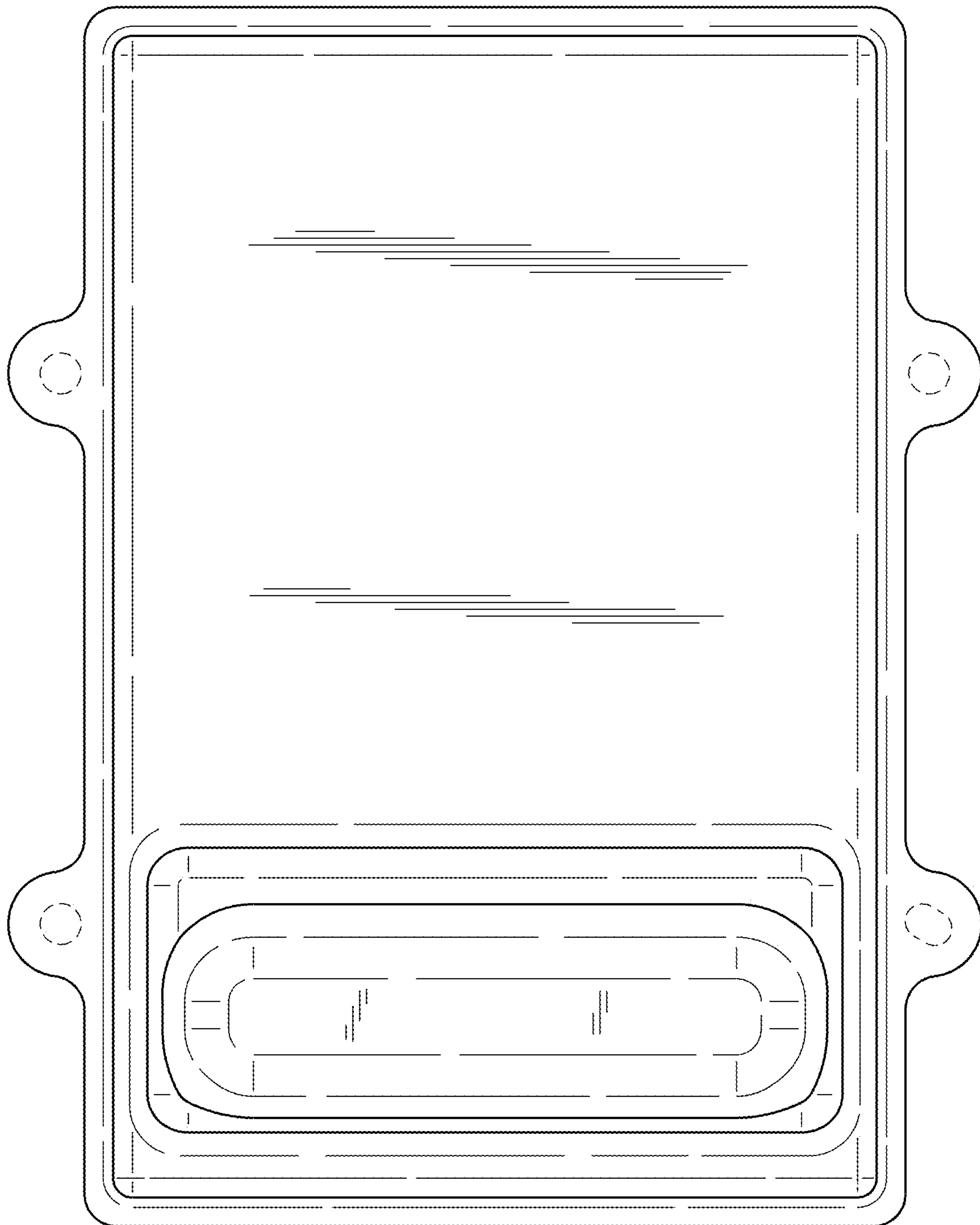


FIG. 7