



US00D905213S

(12) **United States Design Patent** (10) **Patent No.:** **US D905,213 S**  
**Wegener et al.** (45) **Date of Patent:** **\*\* \*Dec. 15, 2020**

(54) **HEATER**

(71) Applicant: **Webasto SE**, Stockdorf (DE)

(72) Inventors: **Fritz Wegener**, Stockdorf (DE); **Andi Liebig**, Stockdorf (DE); **Andreas Janker**, Stockdorf (DE); **Stephan Buckl**, Stockdorf (DE); **Carsten Siebold**, Stockdorf (DE); **Markus Beier**, Stockdorf (DE)

(73) Assignee: **WEBASTO SE**, Stockdorf (DE)

(\* ) Notice: This patent is subject to a terminal disclaimer.

(\*\*) Term: **15 Years**

(21) Appl. No.: **29/686,935**

(22) Filed: **Apr. 9, 2019**

(30) **Foreign Application Priority Data**

Mar. 27, 2019 (EM) ..... 006345575

(51) **LOC (12) Cl.** ..... **12-16**

(52) **U.S. Cl.**  
USPC ..... **D23/324**

(58) **Field of Classification Search**  
USPC ..... D23/314, 324, 322, 323, 317  
CPC .. B60H 1/2218; B60H 1/2221; B60H 1/2225;  
H05B 1/0236; H05B 3/262; F24H 1/009;  
F24H 1/142; F24H 9/0015; F24H 9/2028;  
F28F 3/12; F28F 13/12

See application file for complete search history.

(56) **References Cited**

U.S. PATENT DOCUMENTS

5,841,634	A *	11/1998	Visser	.....	F28F 3/12 361/699
D813,363	S *	3/2018	Wegener	.....	D23/324
D875,908	S *	2/2020	Wegener	.....	D23/324
2005/0019028	A1*	1/2005	Kuebler	.....	B60S 1/488 392/484
2012/0325447	A1*	12/2012	You	.....	F28F 3/048 165/170
2015/0110479	A1*	4/2015	Wu	.....	F24H 9/2028 392/490
2016/0360572	A1*	12/2016	Bohlender	.....	F24H 9/1872
2018/0261526	A1*	9/2018	Machler	.....	F28F 3/12

\* cited by examiner

*Primary Examiner* — Ania Aman

(74) *Attorney, Agent, or Firm* — Quarles & Brady LLP

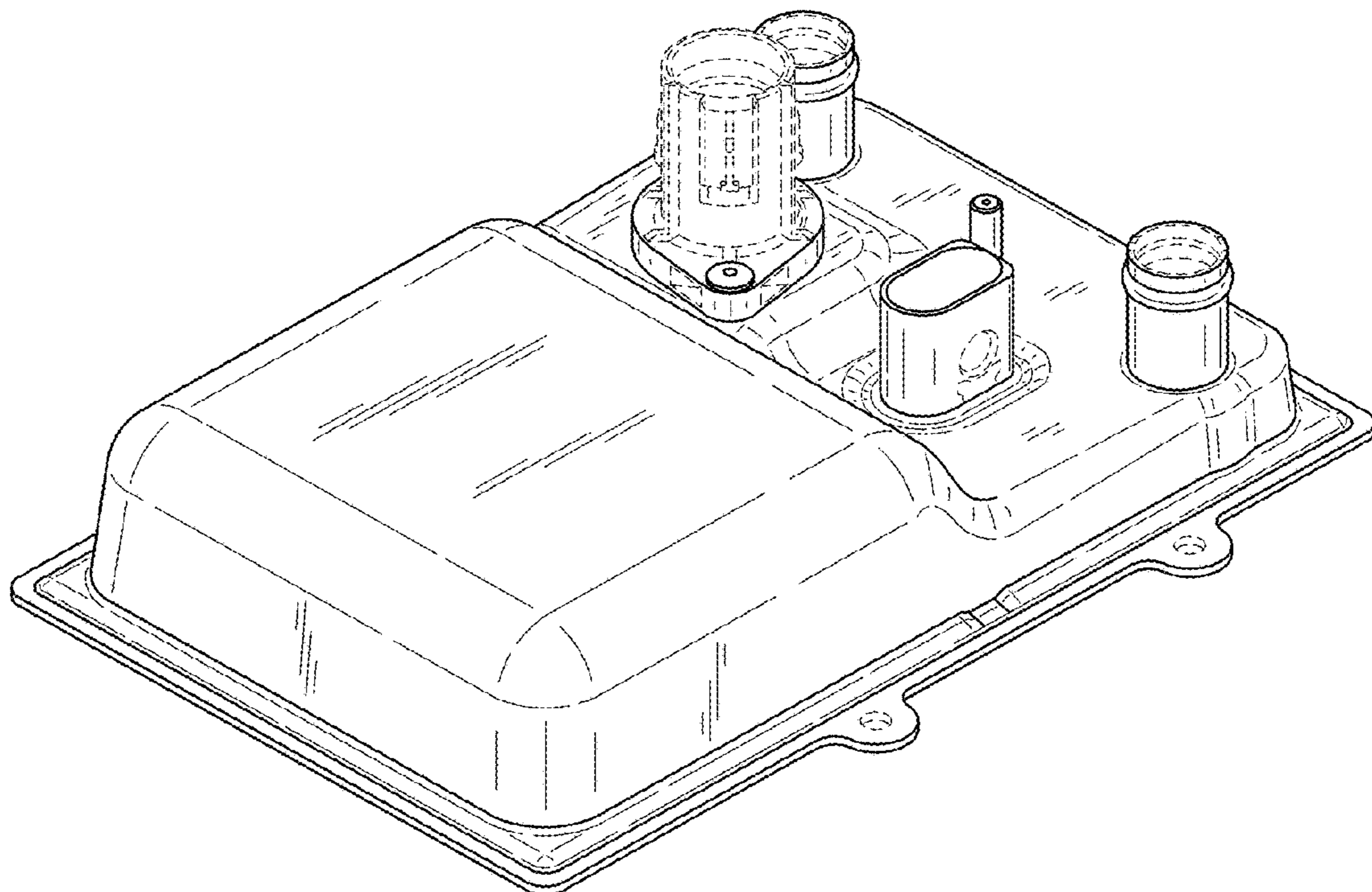
(57) **CLAIM**

An ornamental design for a heater, as shown and described.

**DESCRIPTION**

FIG. 1 is a top, front, right isometric view of a heater;  
FIG. 2 is a rear side view of FIG. 1;  
FIG. 3 is a front side view of FIG. 1;  
FIG. 4 is a left view of FIG. 1;  
FIG. 5 is a right side view of FIG. 1;  
FIG. 6 is a top side view of FIG. 1; and,  
FIG. 7 is a bottom view of FIG. 1.  
In the drawings, the broken lines depict environmental subject matter only and form no part of the claimed design.

**1 Claim, 6 Drawing Sheets**



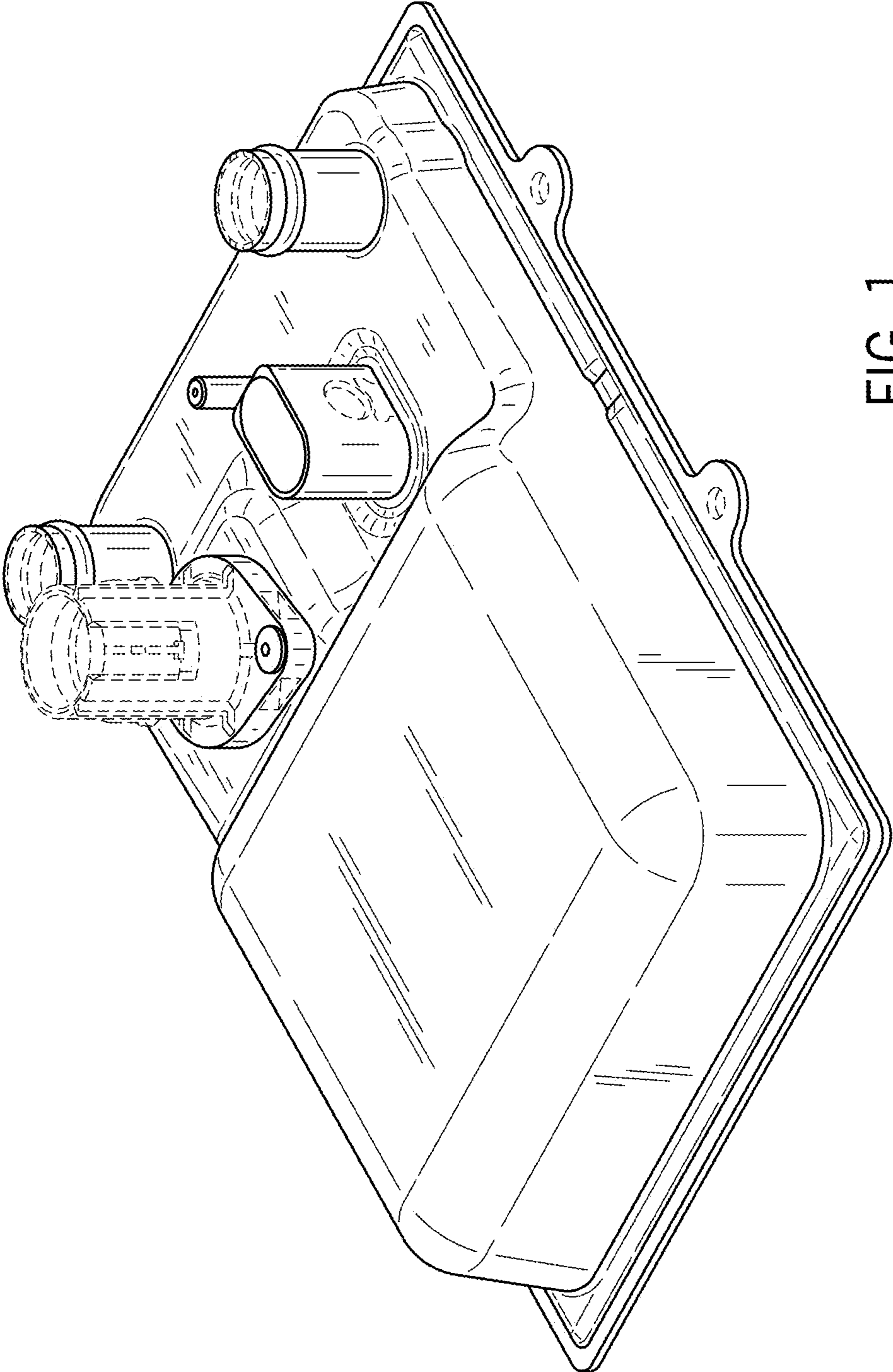


FIG. 1

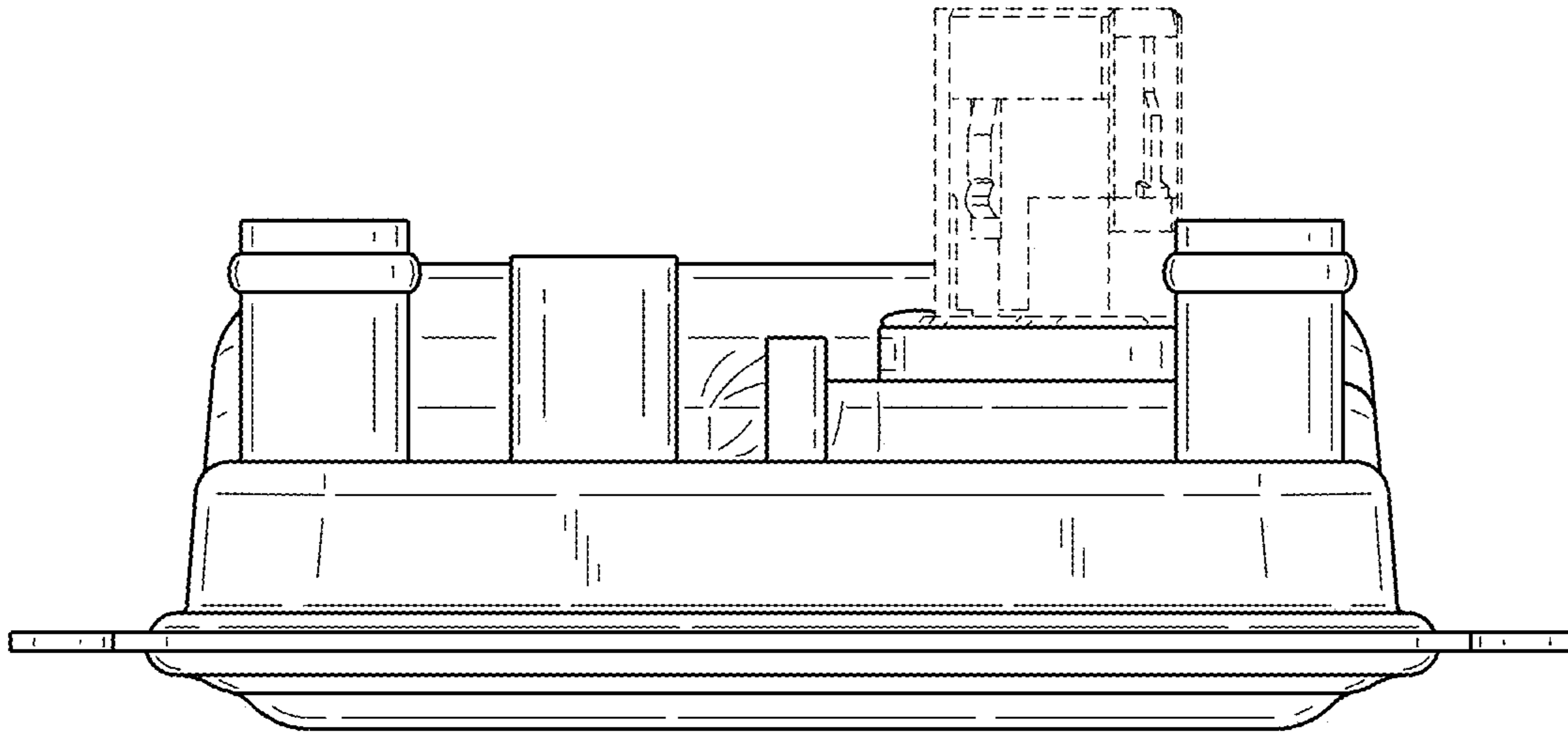


FIG. 2

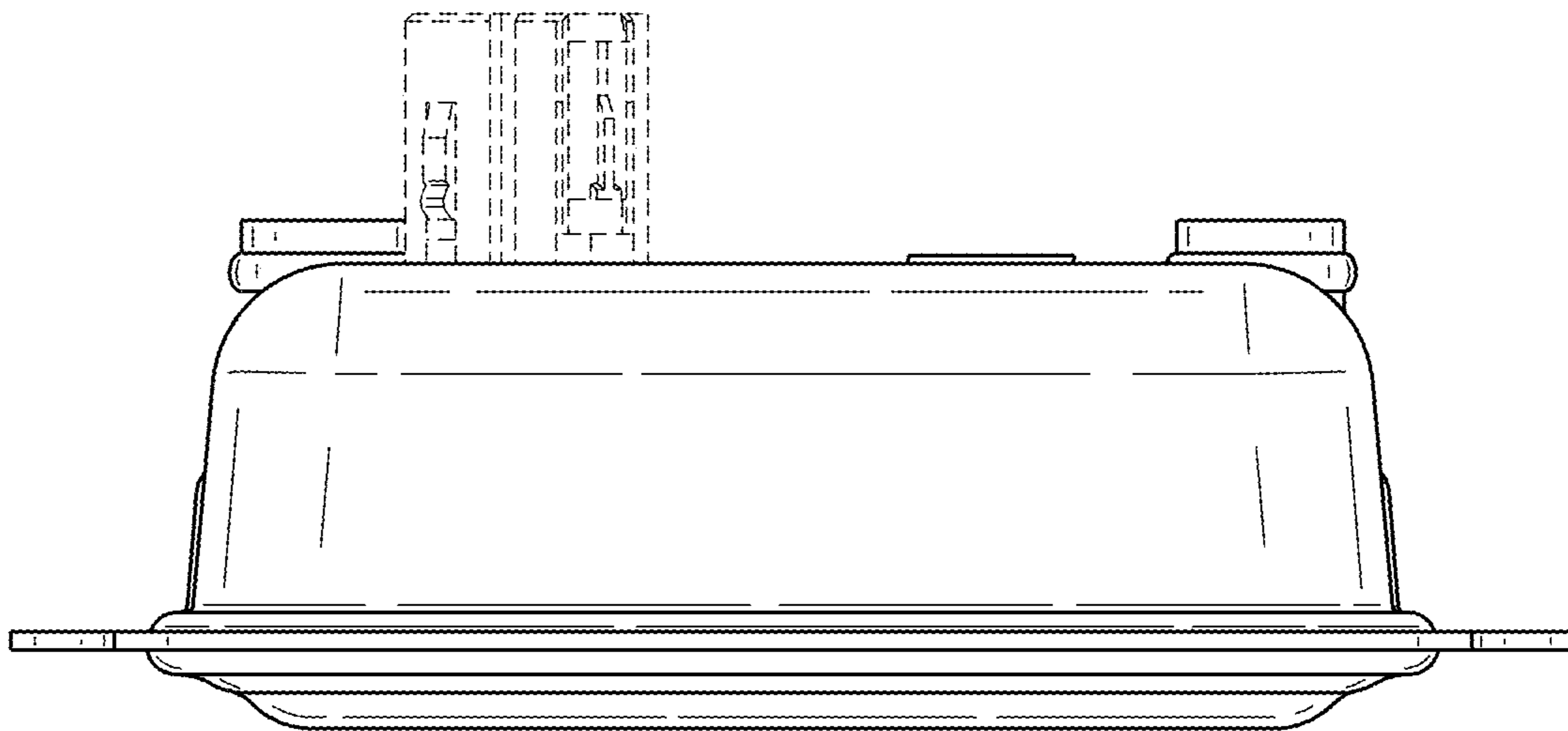


FIG. 3

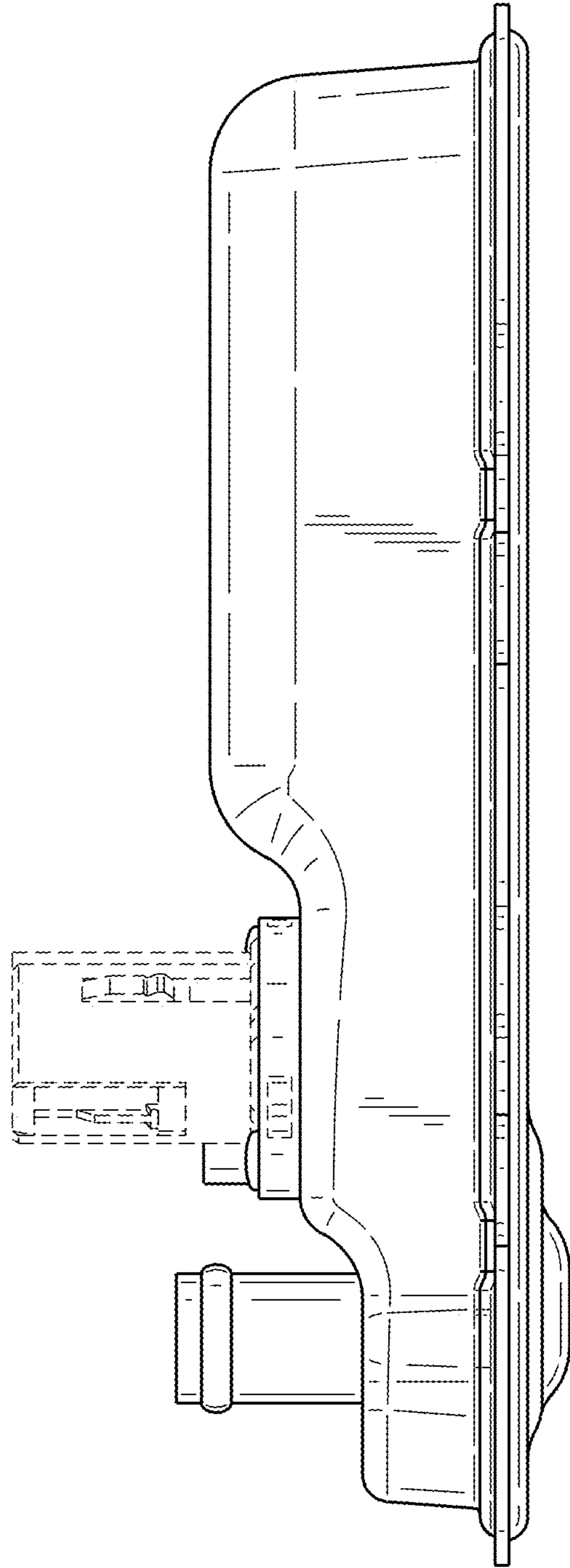


FIG. 4



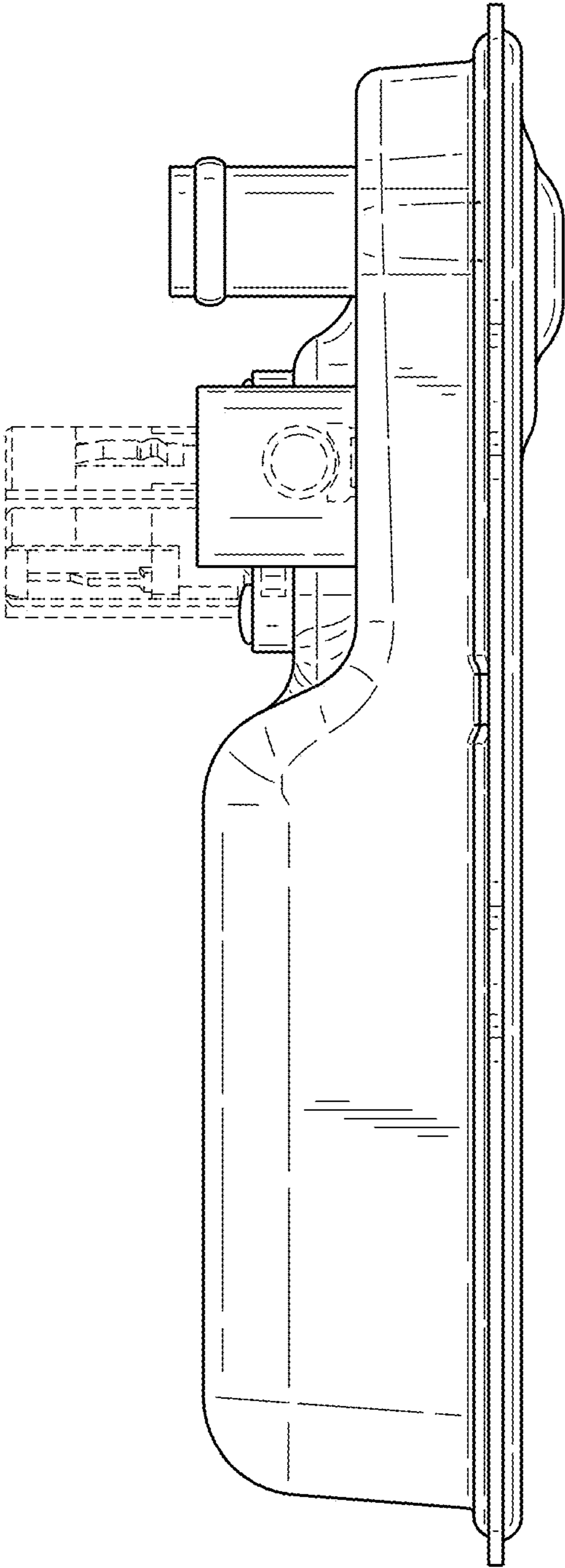


FIG. 5

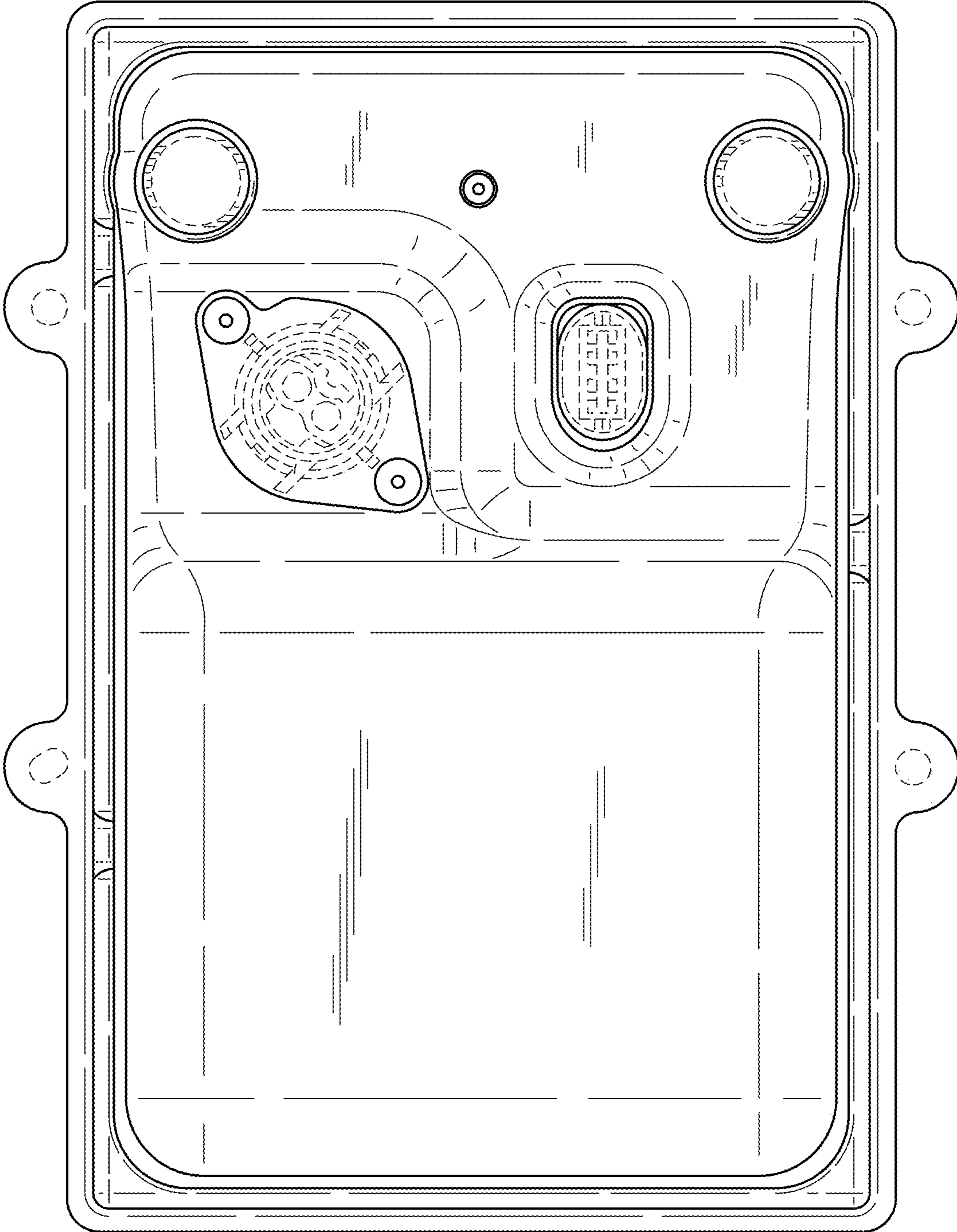


FIG. 6

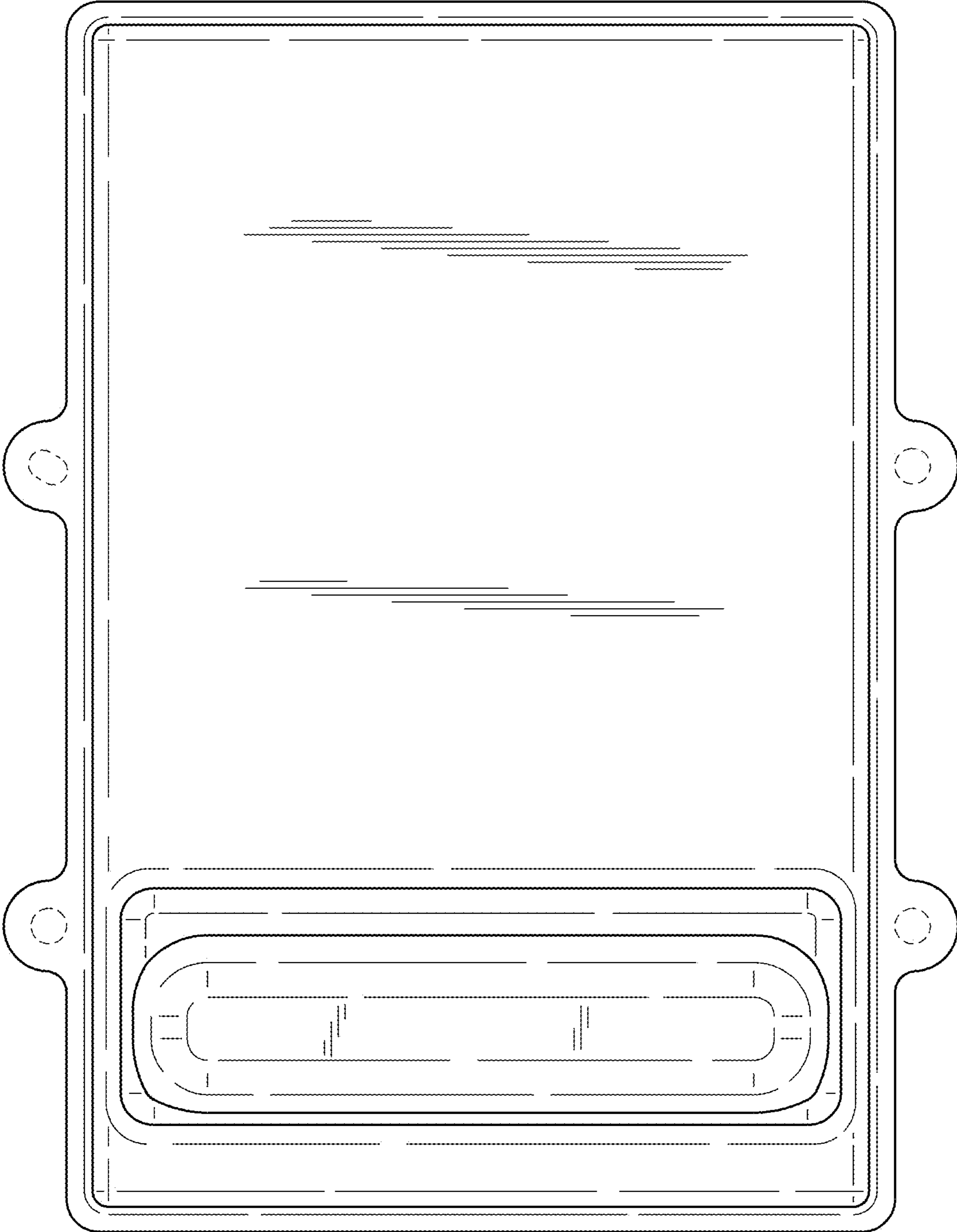


FIG. 7