



US00D905212S

(12) **United States Design Patent**
Sullivan

(10) **Patent No.:** **US D905,212 S**

(45) **Date of Patent:** **** Dec. 15, 2020**

(54) **PORTABLE TOILET**

(71) Applicant: **Efrat Sullivan**, Rutherford, NJ (US)

(72) Inventor: **Efrat Sullivan**, Rutherford, NJ (US)

(**) Term: **15 Years**

(21) Appl. No.: **29/696,372**

(22) Filed: **Jun. 27, 2019**

Related U.S. Application Data

(63) Continuation-in-part of application No. 16/055,880, filed on Aug. 6, 2018.

(51) **LOC (12) Cl.** **23-02**

(52) **U.S. Cl.**
USPC **D23/309**

(58) **Field of Classification Search**
USPC D23/299, 309, 311; D7/400
CPC Y02A 50/454; A61F 5/4556; A61F
2005/4402

See application file for complete search history.

(56) **References Cited**

U.S. PATENT DOCUMENTS

2,404,384 A	7/1946	Kurkjian	
2,796,865 A	6/1957	Reinhardt	
2,804,121 A *	8/1957	Singleton	A47K 11/04 4/483
2,875,451 A	3/1959	Stegeman	
3,095,578 A	7/1963	Stanford	
3,329,973 A *	7/1967	Bobbe	A47K 11/06 4/144.2
3,403,410 A	10/1968	Benzel et al.	
3,428,967 A *	2/1969	Hughes	A47K 11/06 4/484
3,432,865 A	3/1969	Schwartz	
3,597,770 A	8/1971	Jacuzzi et al.	
3,718,431 A	2/1973	Wild	
4,214,323 A *	7/1980	Thomas	A47K 13/005 297/253

4,807,308 A * 2/1989 Person A47K 11/06
4/483
5,161,263 A * 11/1992 Geneve A47K 11/06
4/239

5,243,712 A 9/1993 Cross
(Continued)

Primary Examiner — Robert A Delehanty

(74) *Attorney, Agent, or Firm* — Myers Wolin, LLC

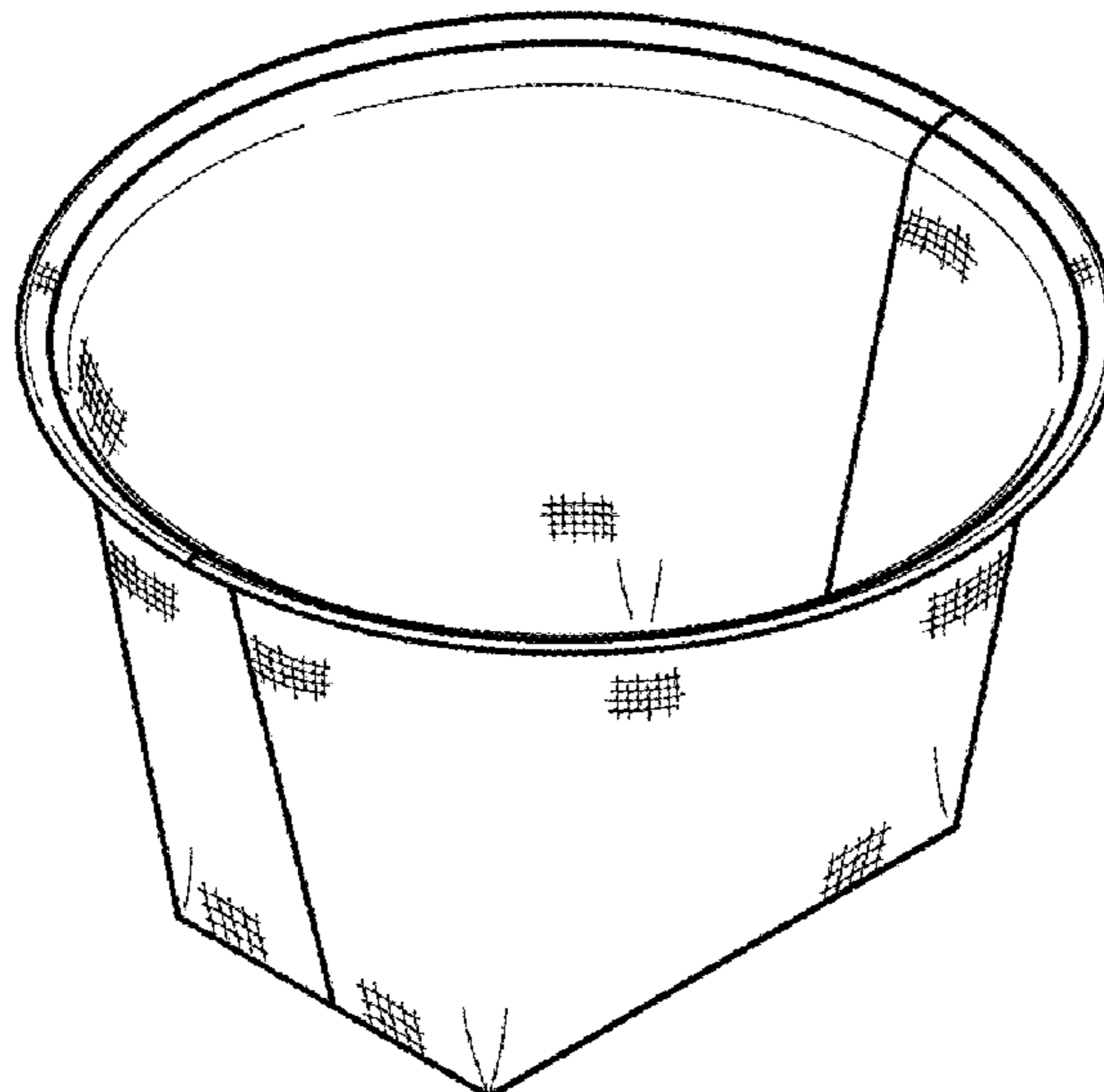
(57) **CLAIM**

The ornamental design for a portable toilet, as shown and described.

DESCRIPTION

FIG. 1 is an upper perspective view of one embodiment of a portable toilet showing my new design; FIG. 2 is a lower perspective view thereof; FIG. 3 is a perspective view thereof taken from a different orientation; FIG. 4 is a top plan view thereof; FIG. 5 is a front elevational view thereof, the rear elevation view being identical; FIG. 6 is a left side elevational view, the right side elevational view being identical; FIG. 7 is a bottom plan view thereof; FIG. 8 is an upper perspective view of a second embodiment of a portable toilet showing my new design; FIG. 9 is a lower perspective view thereof; FIG. 10 is a perspective view thereof taken from a different orientation; FIG. 11 is a top plan view thereof; FIG. 12 is a front elevational view thereof, the rear elevation view being identical; FIG. 13 is a left side elevational view, the right side elevational view being identical; and, FIG. 14 is a bottom plan view thereof. The broken lines show portions of the portable toilet that form no part of the claimed design.

1 Claim, 4 Drawing Sheets



(56)

References Cited

U.S. PATENT DOCUMENTS

D386,944 S * 12/1997 Demore D7/400
5,803,778 A * 9/1998 Hardy B63B 17/06
4/484
5,950,251 A * 9/1999 Cost A47K 11/00
141/314
5,978,976 A * 11/1999 Chai A47K 11/06
4/483
6,115,855 A * 9/2000 Lorenzo A47K 11/06
4/484
D452,633 S * 1/2002 Valkovich D7/400
6,779,204 B1 * 8/2004 Ciotic A47K 11/04
4/213
D793,805 S * 8/2017 D'Amico D7/400
D860,724 S * 9/2019 Kassin D7/400
2003/0221249 A1 * 12/2003 Shirkey A47K 11/06
4/484
2016/0206158 A1 * 7/2016 Boillat-Macon A47K 13/14
2018/0110646 A1 * 4/2018 Brooks A61F 5/4556

* cited by examiner

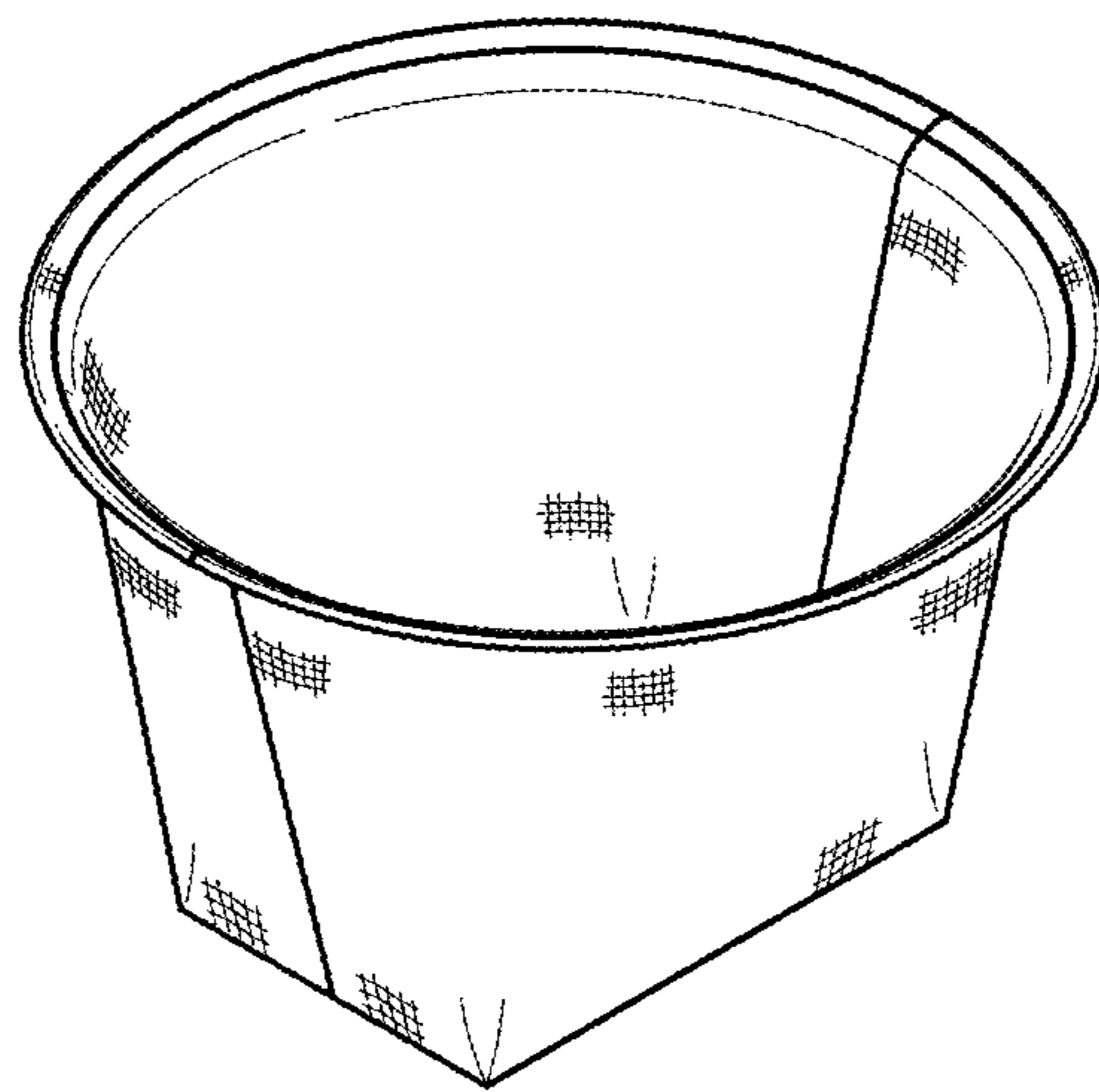


FIG. 1

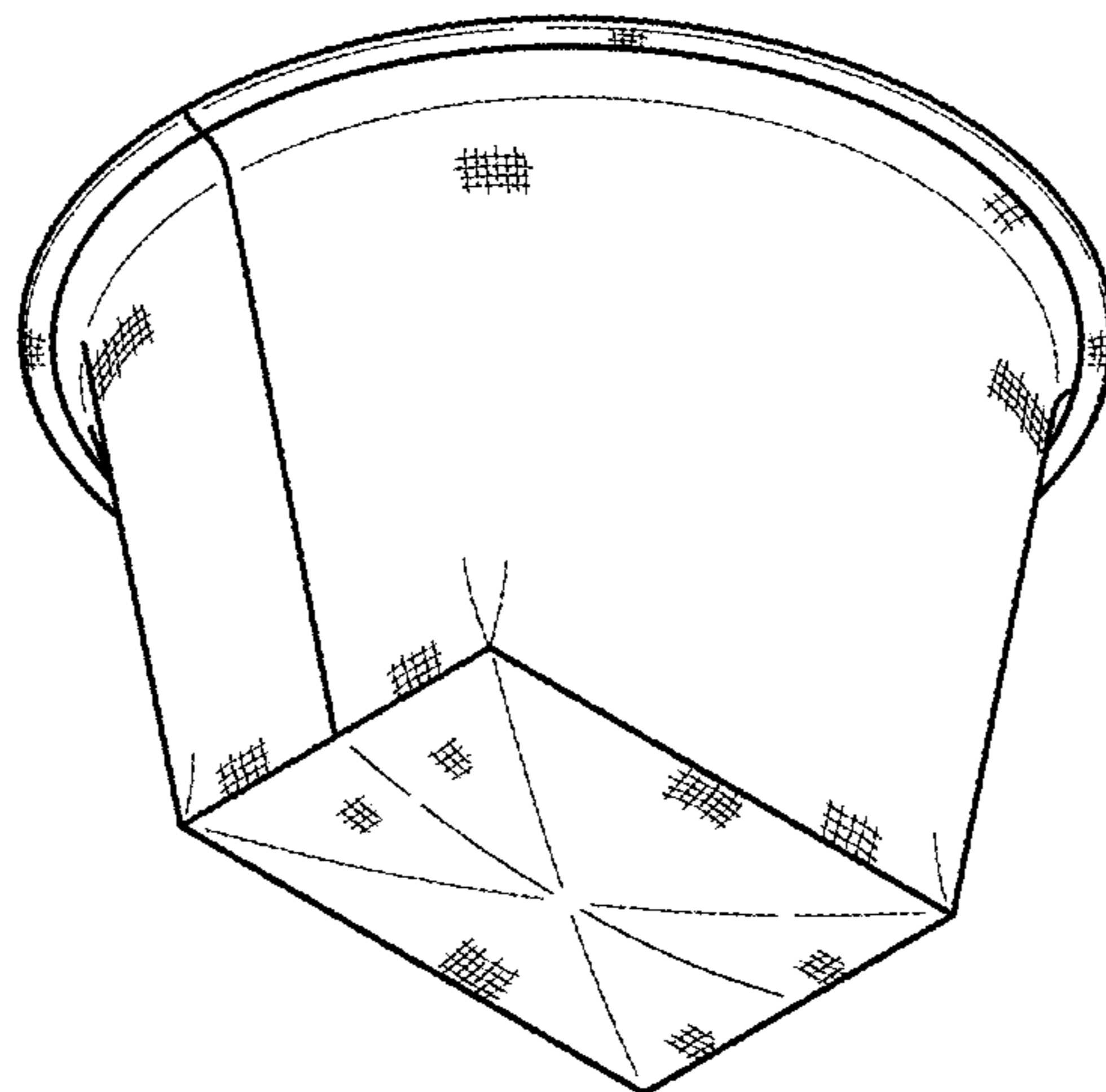


FIG. 2

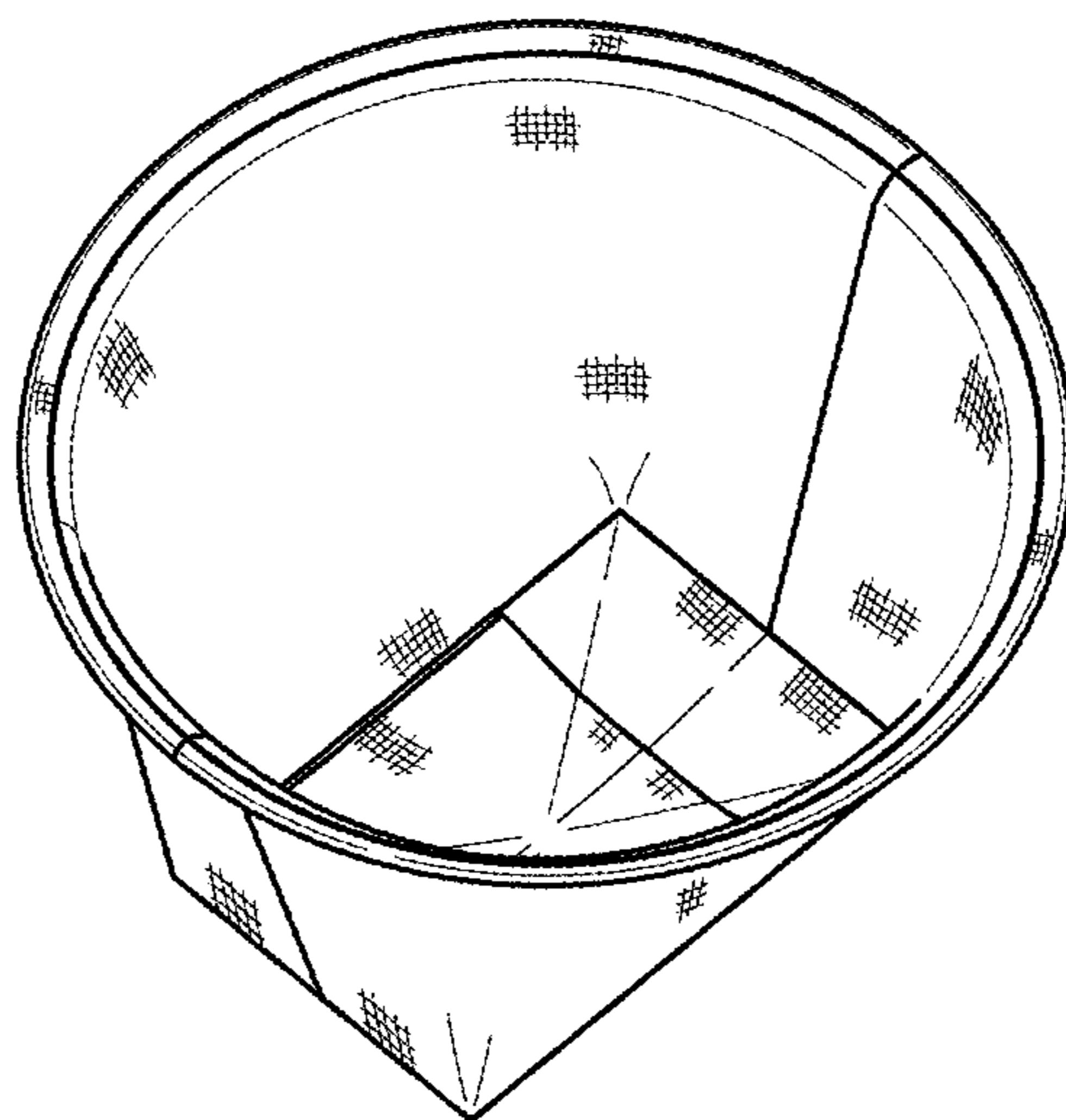


FIG. 3

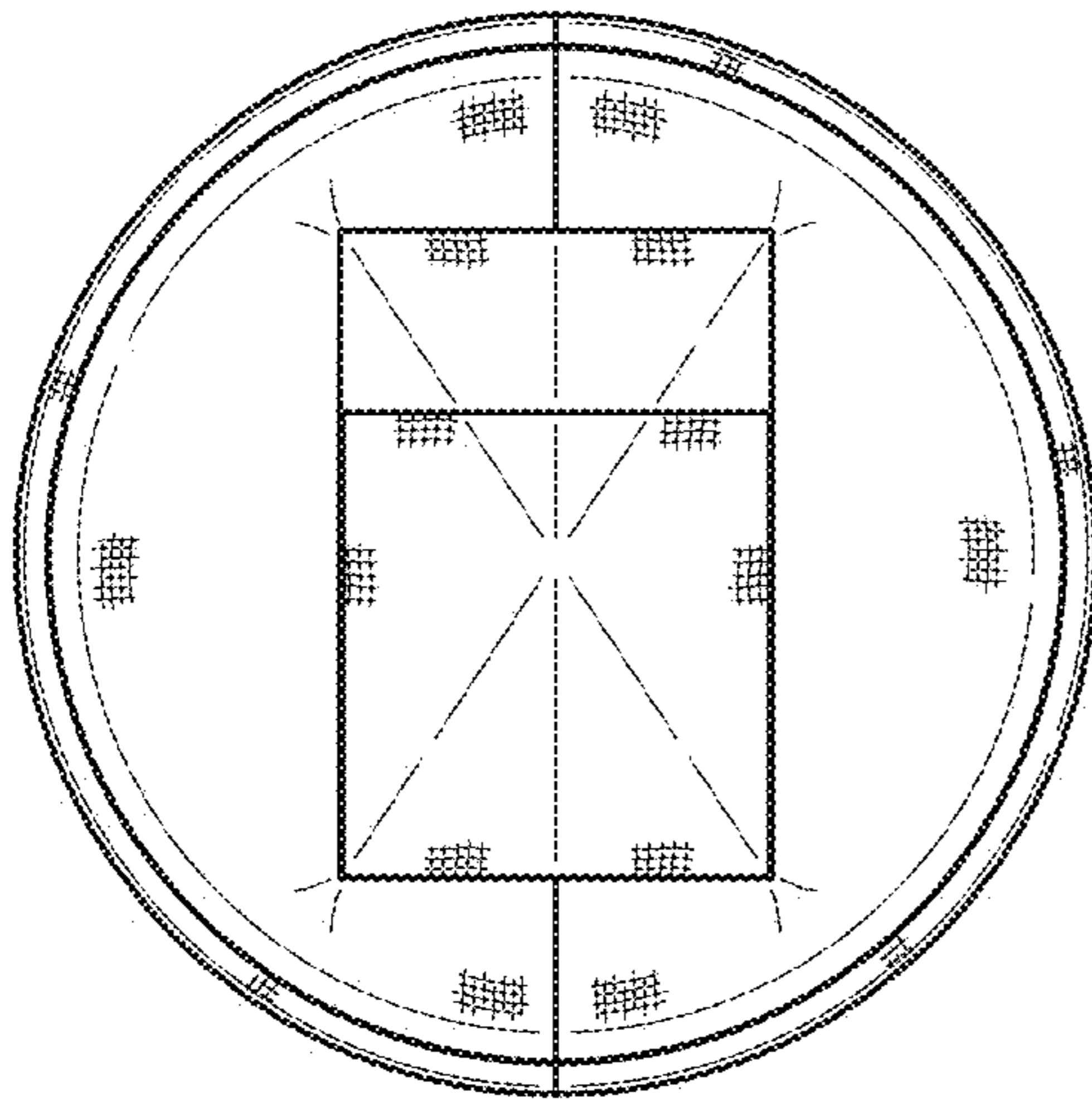


FIG. 6

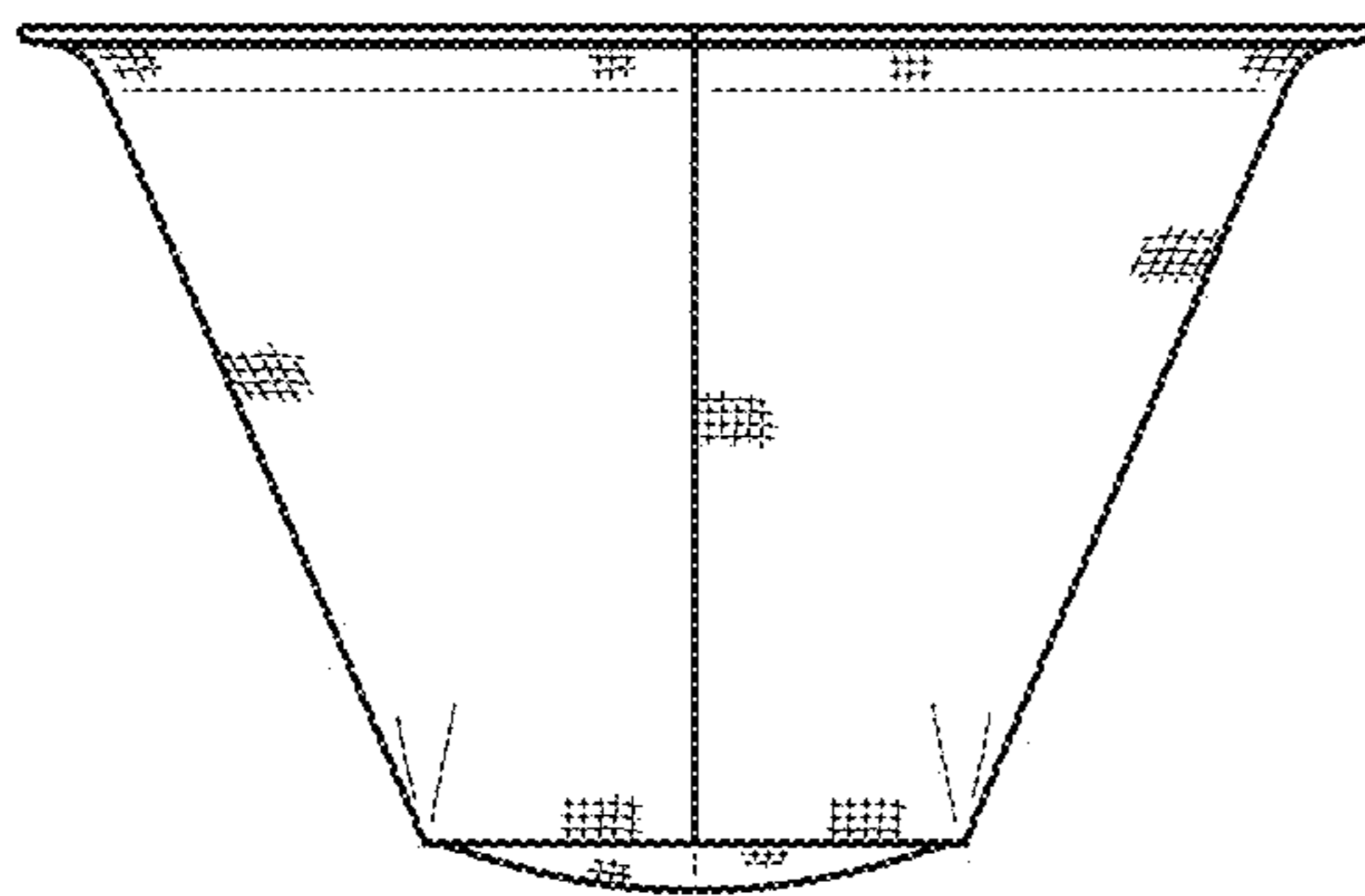


FIG. 4

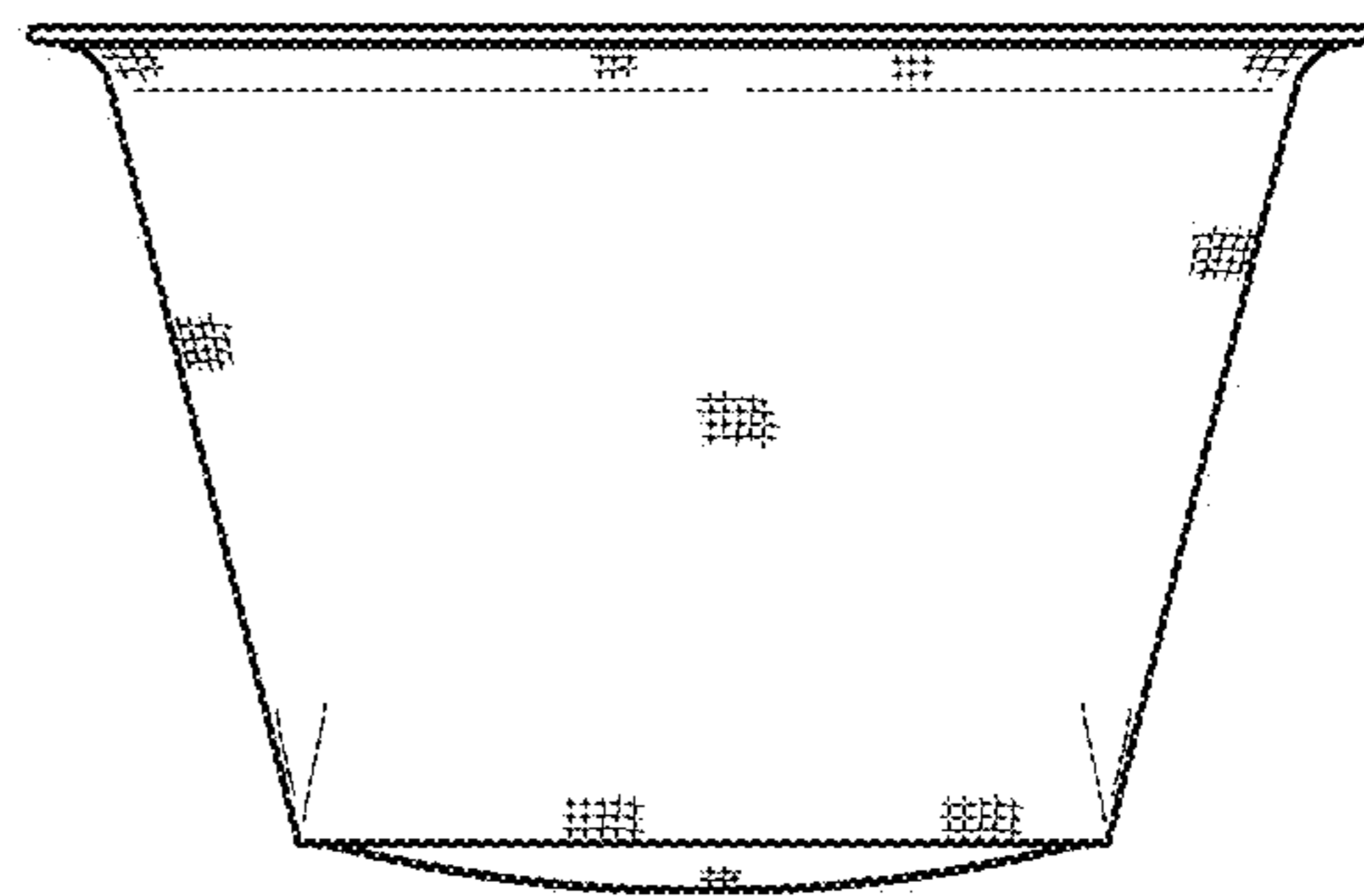


FIG. 5

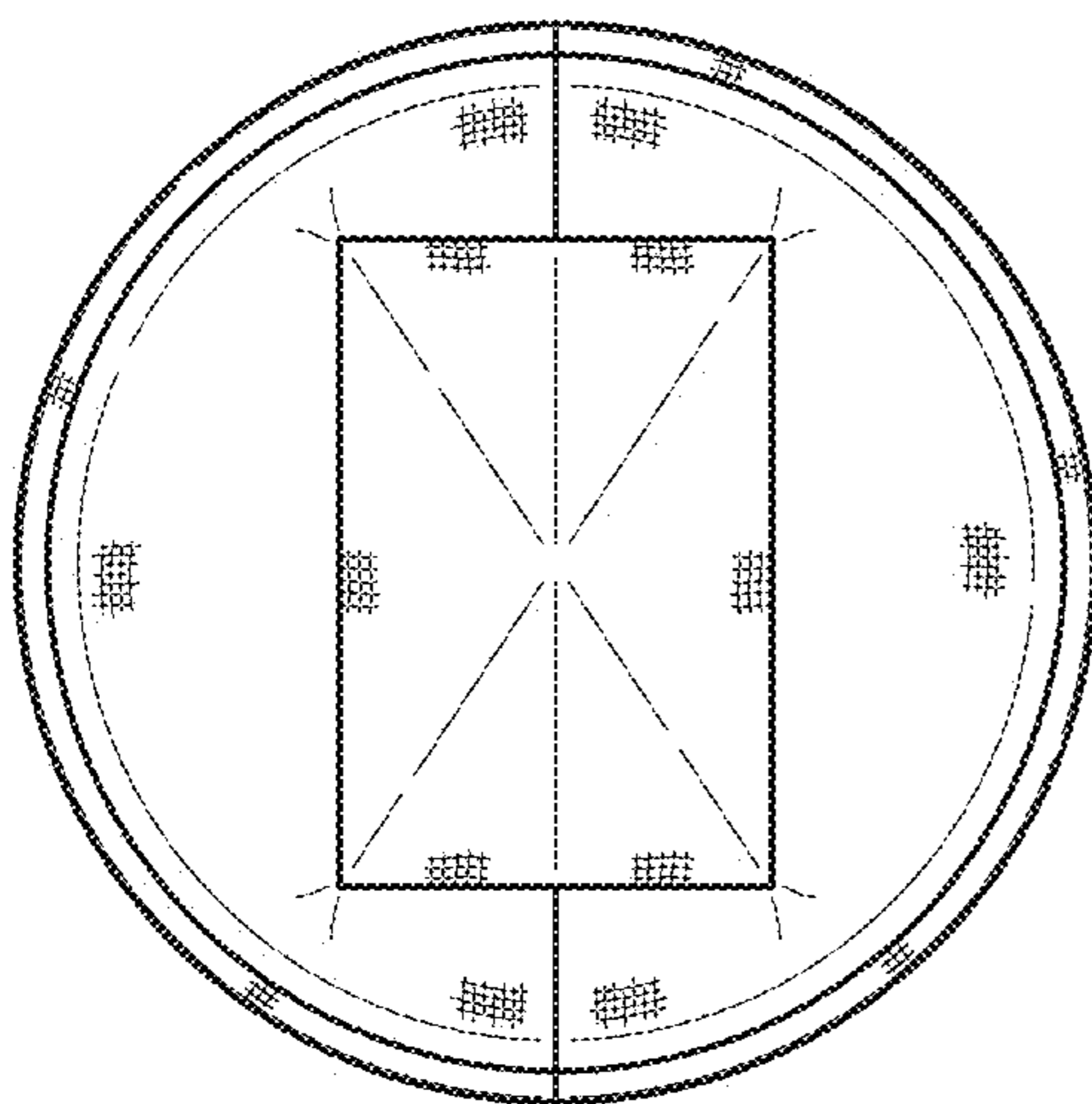


FIG. 7

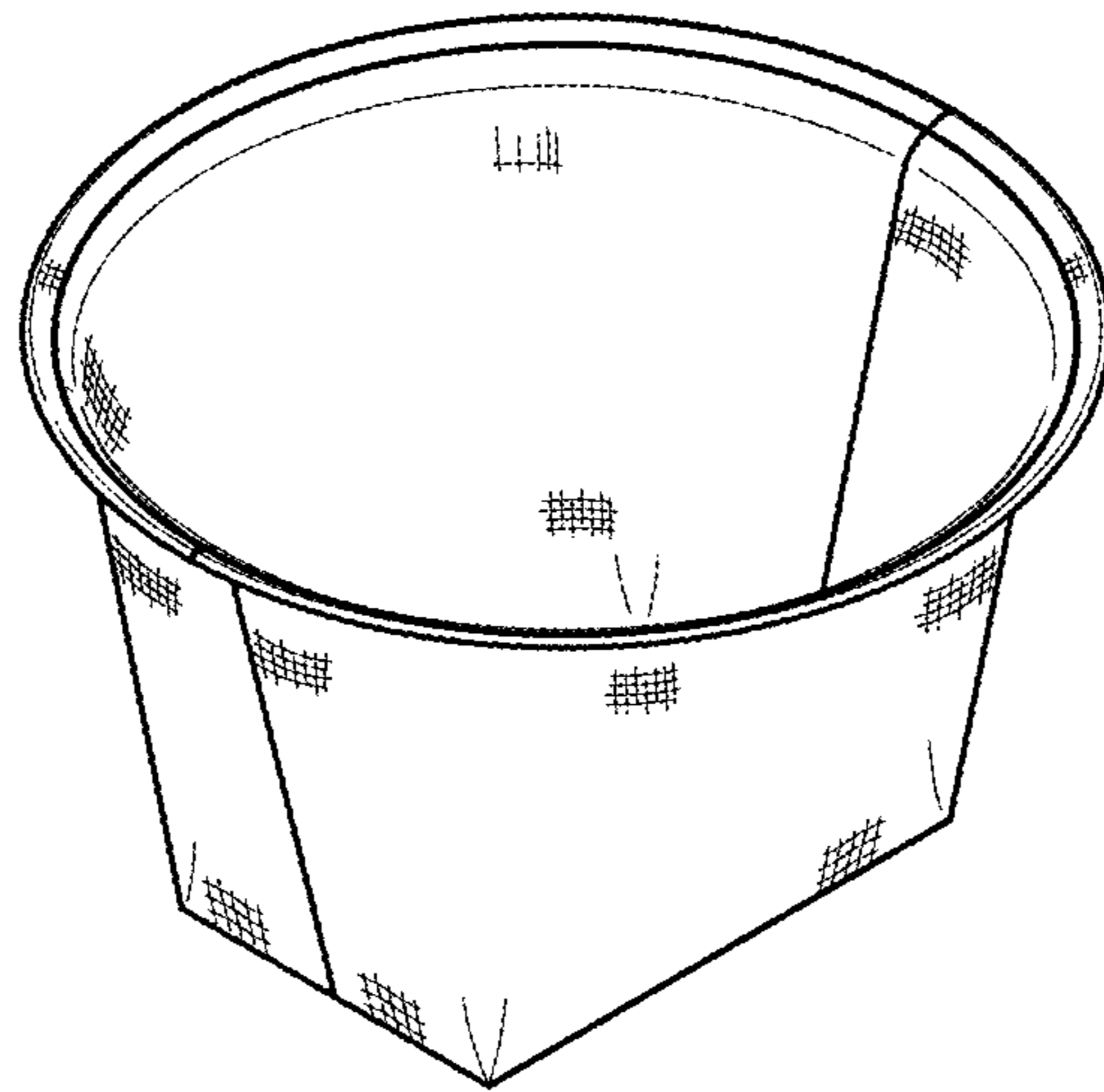


FIG. 8

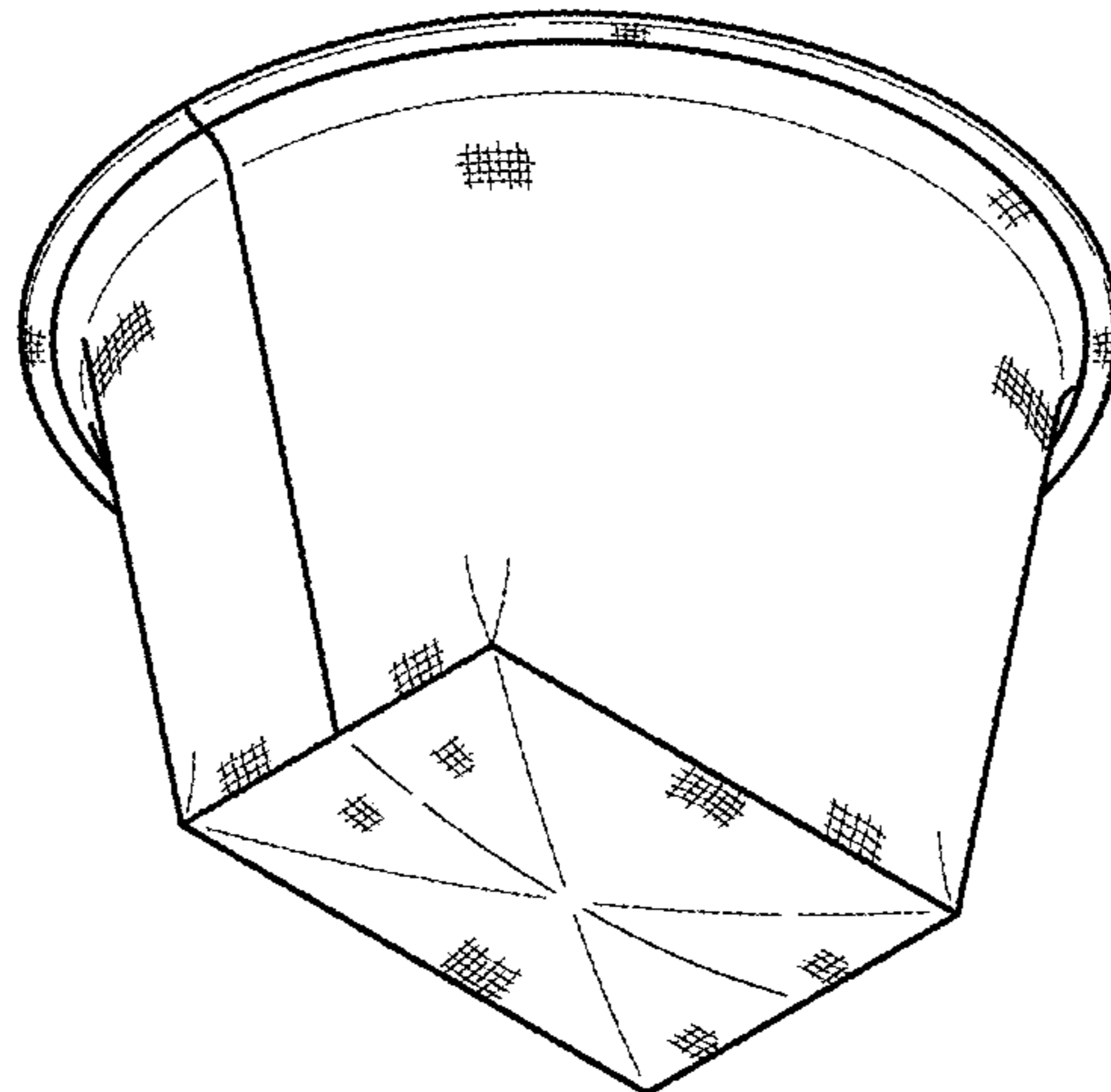


FIG. 9

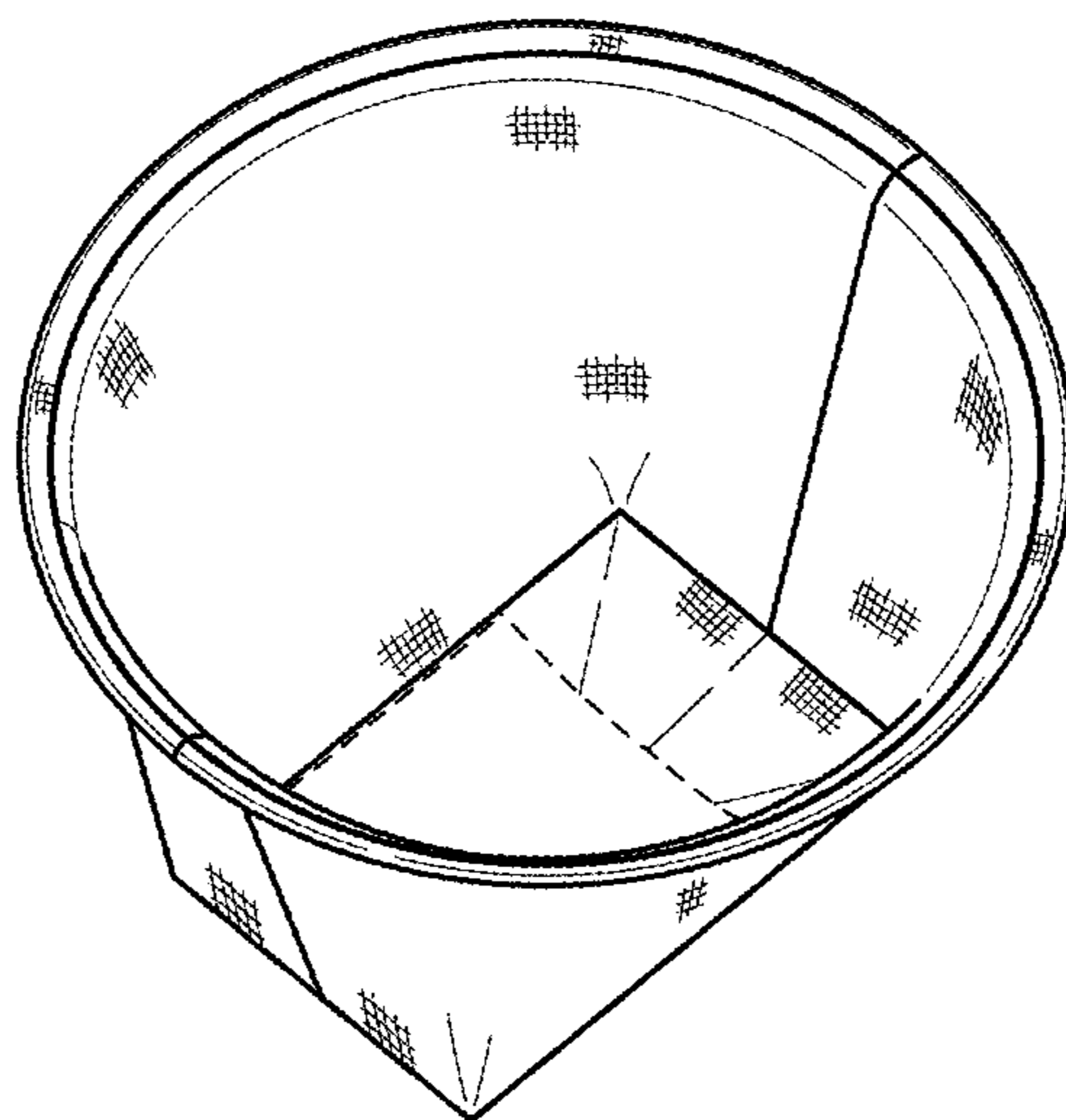


FIG. 10

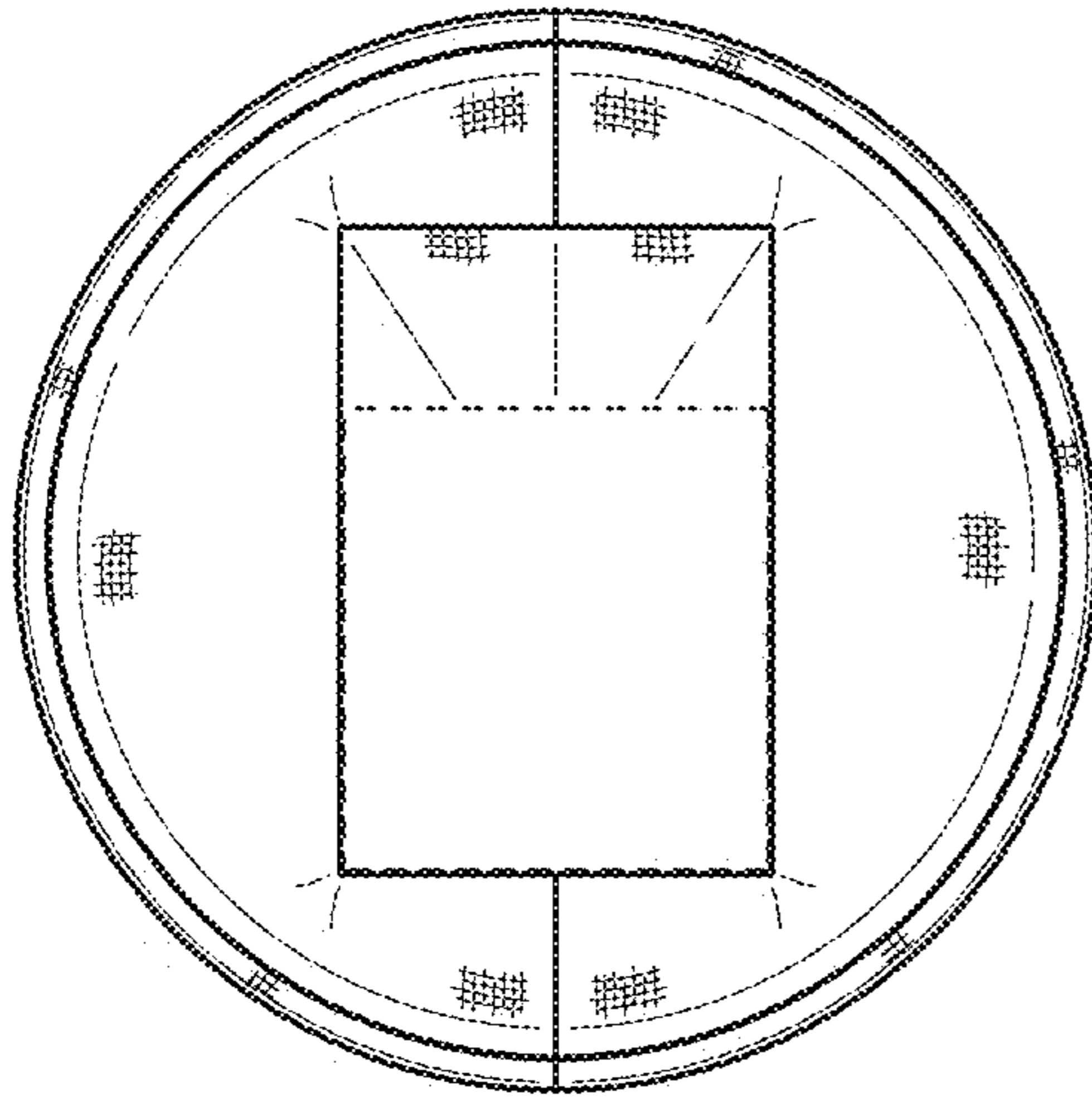


FIG. 13

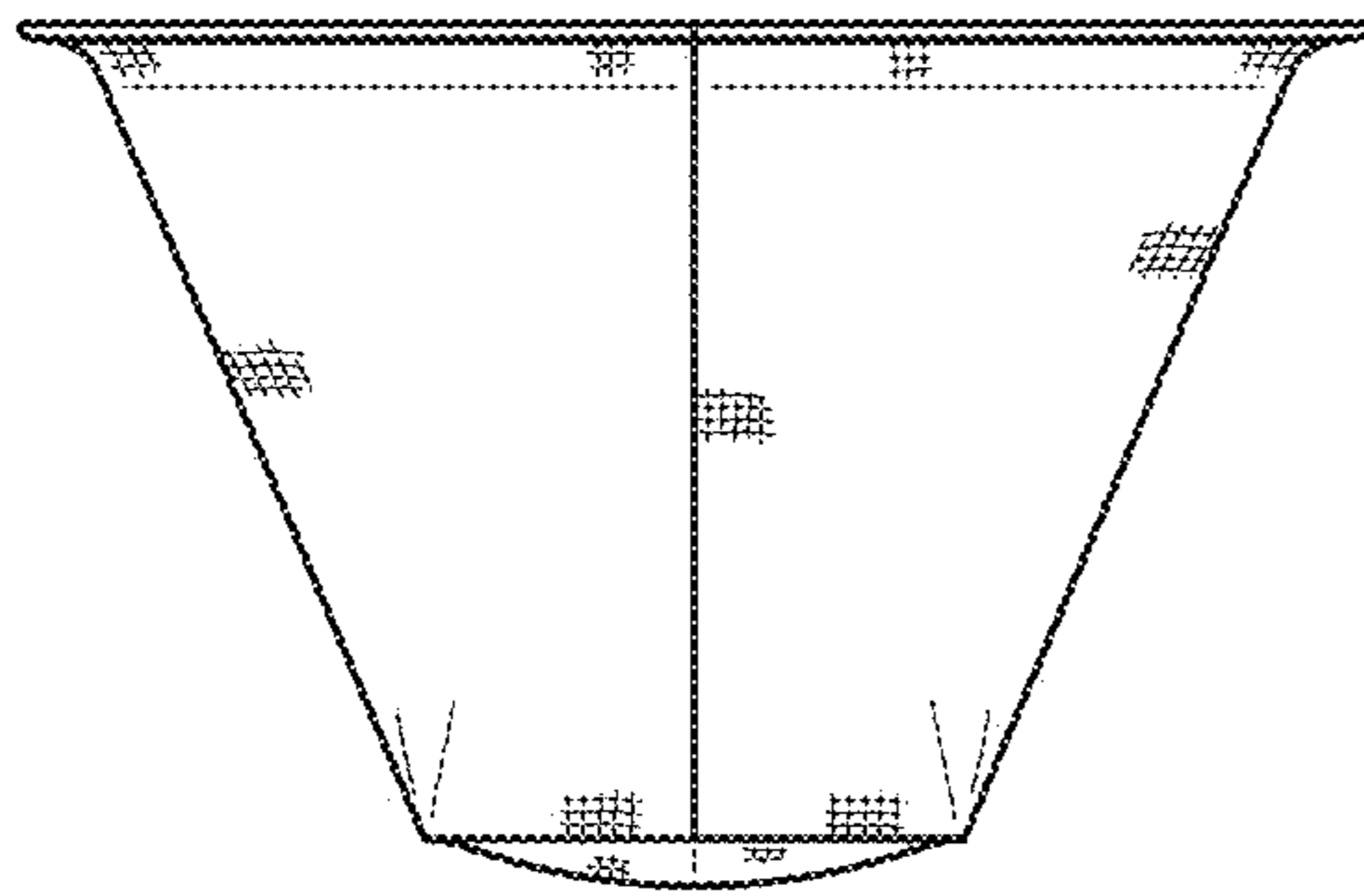


FIG. 11

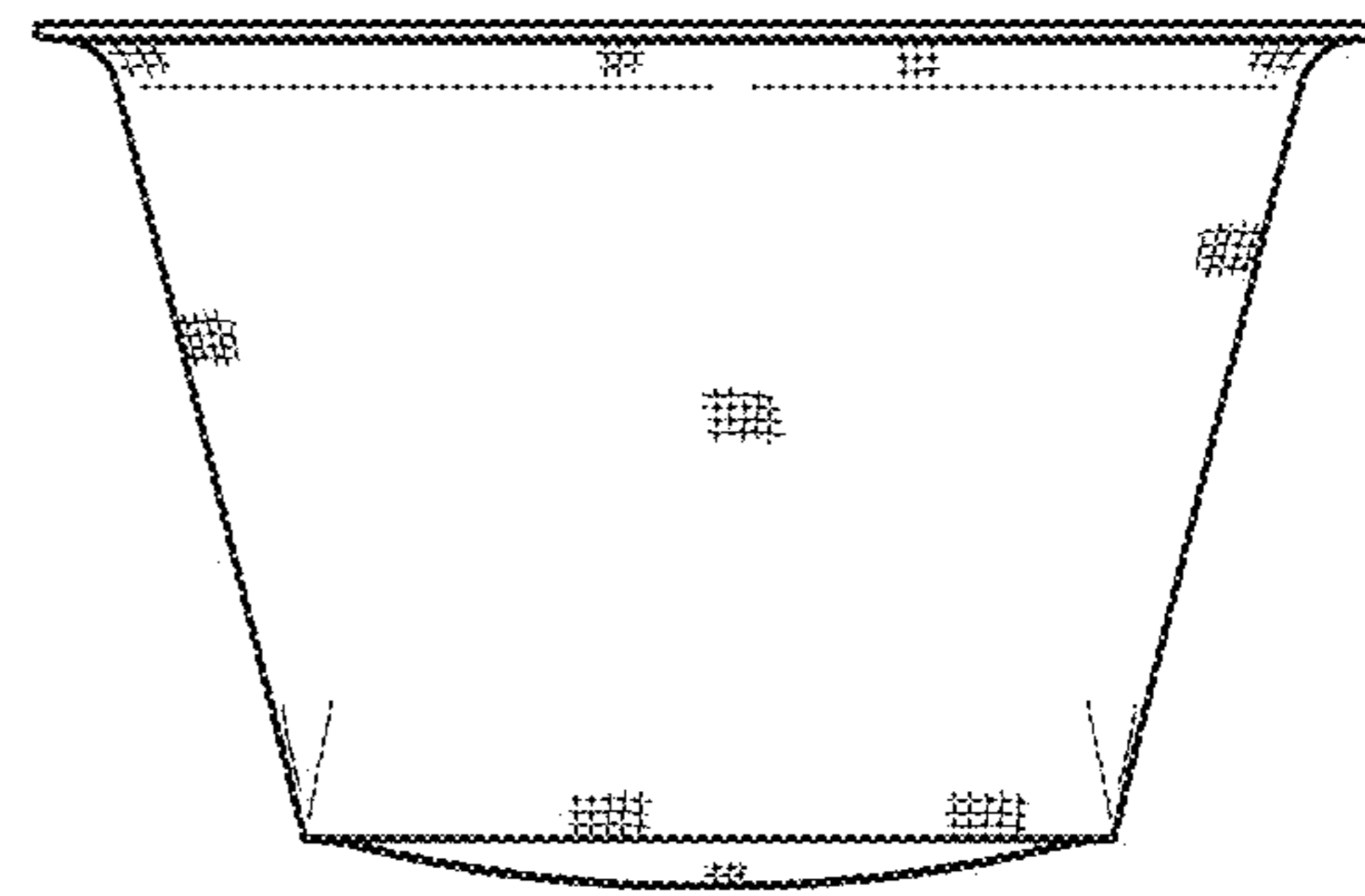


FIG. 12

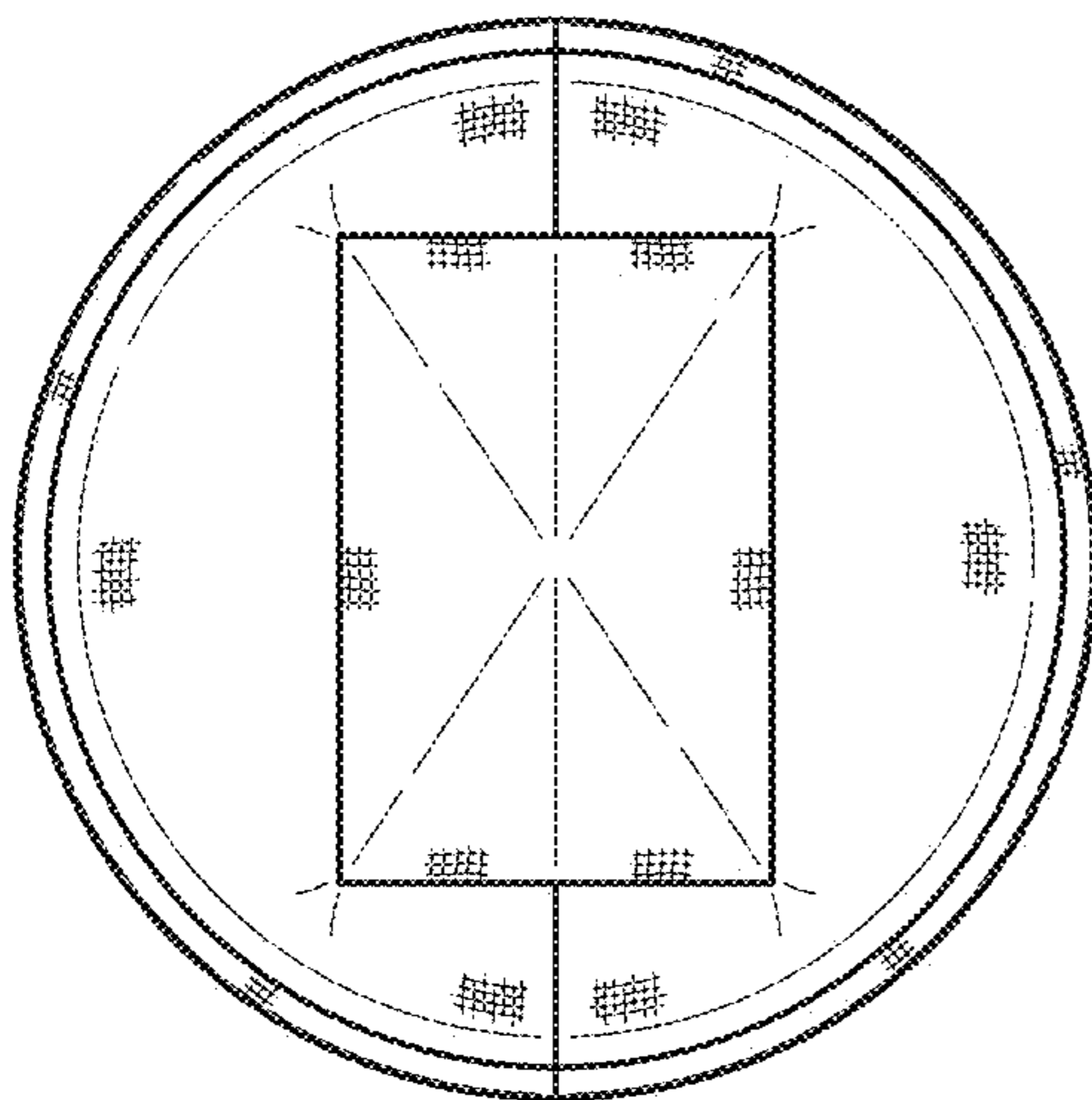


FIG. 14