



US00D905211S

(12) **United States Design Patent** (10) **Patent No.:** **US D905,211 S**
Mei (45) **Date of Patent:** **** Dec. 15, 2020**

(54) **STEP SINK**

Primary Examiner — Robert A Delehanty
(74) *Attorney, Agent, or Firm* — W&K IPX

(71) Applicant: **Ningbo Mengo Kitchen Equipment Co., Ltd.**, Ningbo (CN)

(72) Inventor: **Haibin Mei**, Ningbo (CN)

(57) **CLAIM**

(**) Term: **15 Years**

The ornamental design for a step sink, as shown and described.

(21) Appl. No.: **29/690,560**

(22) Filed: **May 9, 2019**

DESCRIPTION

(30) **Foreign Application Priority Data**

Nov. 9, 2018 (CN) 2018 3 0632559

(51) **LOC (12) Cl.** **23-02**

(52) **U.S. Cl.**
USPC **D23/284**

(58) **Field of Classification Search**
USPC D23/284, 286, 293.1, 308
CPC A47B 77/06
See application file for complete search history.

FIG. 1 is a perspective view of a first embodiment of a step sink;
FIG. 2 is a front elevational view thereof;
FIG. 3 is a rear elevational view thereof;
FIG. 4 is a left elevational view thereof;
FIG. 5 is a right elevational view thereof;
FIG. 6 is a top plan view thereof;
FIG. 7 is a bottom plan view thereof;
FIG. 8 is a perspective view of a first embodiment of a step sink in a position of use;
FIG. 9 is a perspective view of a second embodiment of a step sink;
FIG. 10 is a front elevational view thereof;
FIG. 11 is a rear elevational view thereof;
FIG. 12 is a left elevational view thereof;
FIG. 13 is a right elevational view thereof;
FIG. 14 is a top plan view thereof;
FIG. 15 is a bottom plan view thereof; and,
FIG. 16 is a perspective view of a second embodiment of a step sink in a position of use.
The broken lines where present illustrate portions of the step sink that form no part of the claimed design.

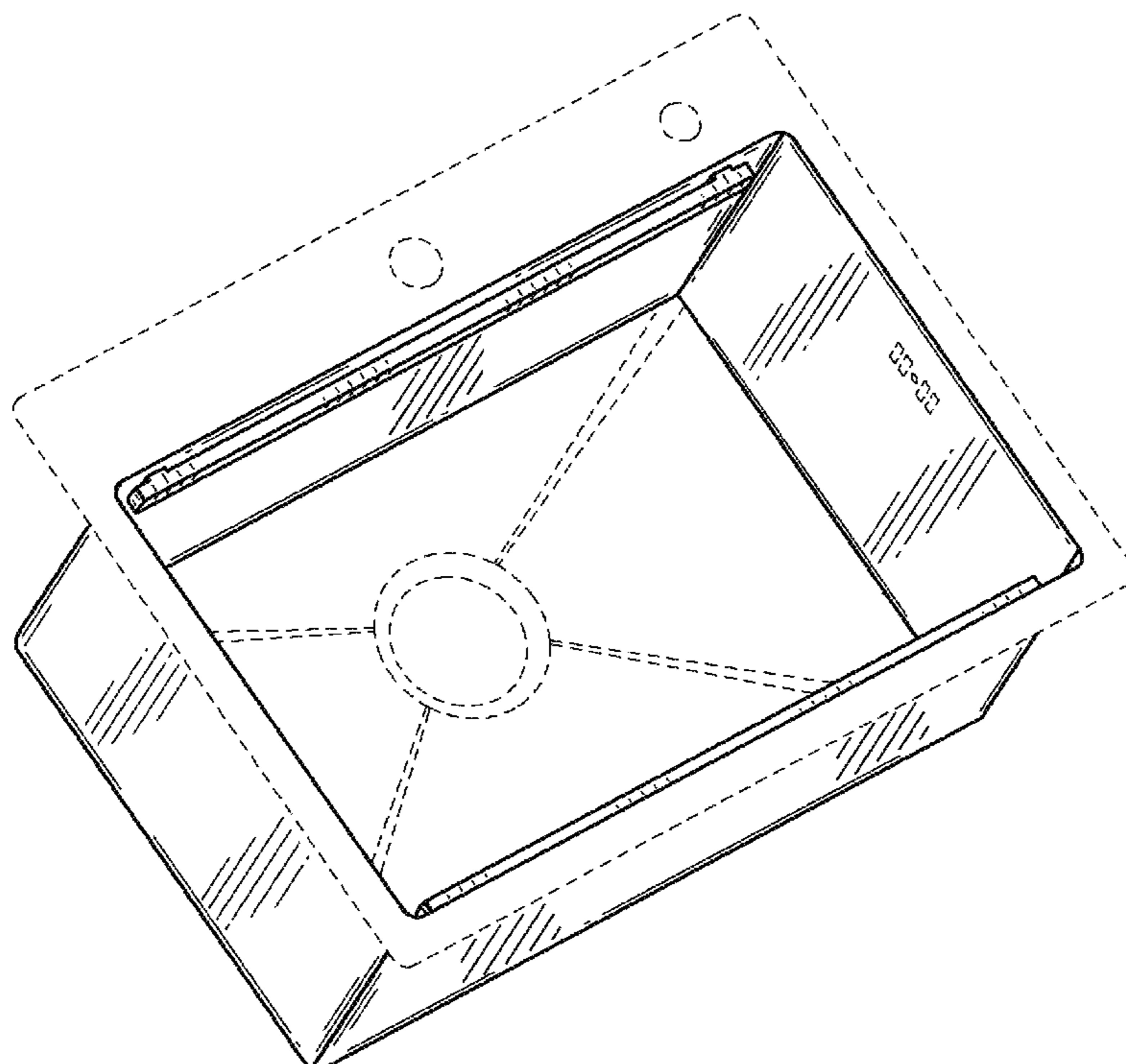
(56) **References Cited**

U.S. PATENT DOCUMENTS

- D585,126 S * 1/2009 Eilmus D23/290
- D588,246 S * 3/2009 Eilmus D23/293.1
- D700,301 S * 2/2014 Rachiele D23/284
- D721,167 S * 1/2015 O'Brien D23/308
- D854,130 S * 7/2019 Chen D23/293.1
- 2010/0275369 A1 * 11/2010 Eilmus A47J 47/20
- 2020/0015653 A1 * 1/2020 Mei E03C 1/18

* cited by examiner

1 Claim, 16 Drawing Sheets



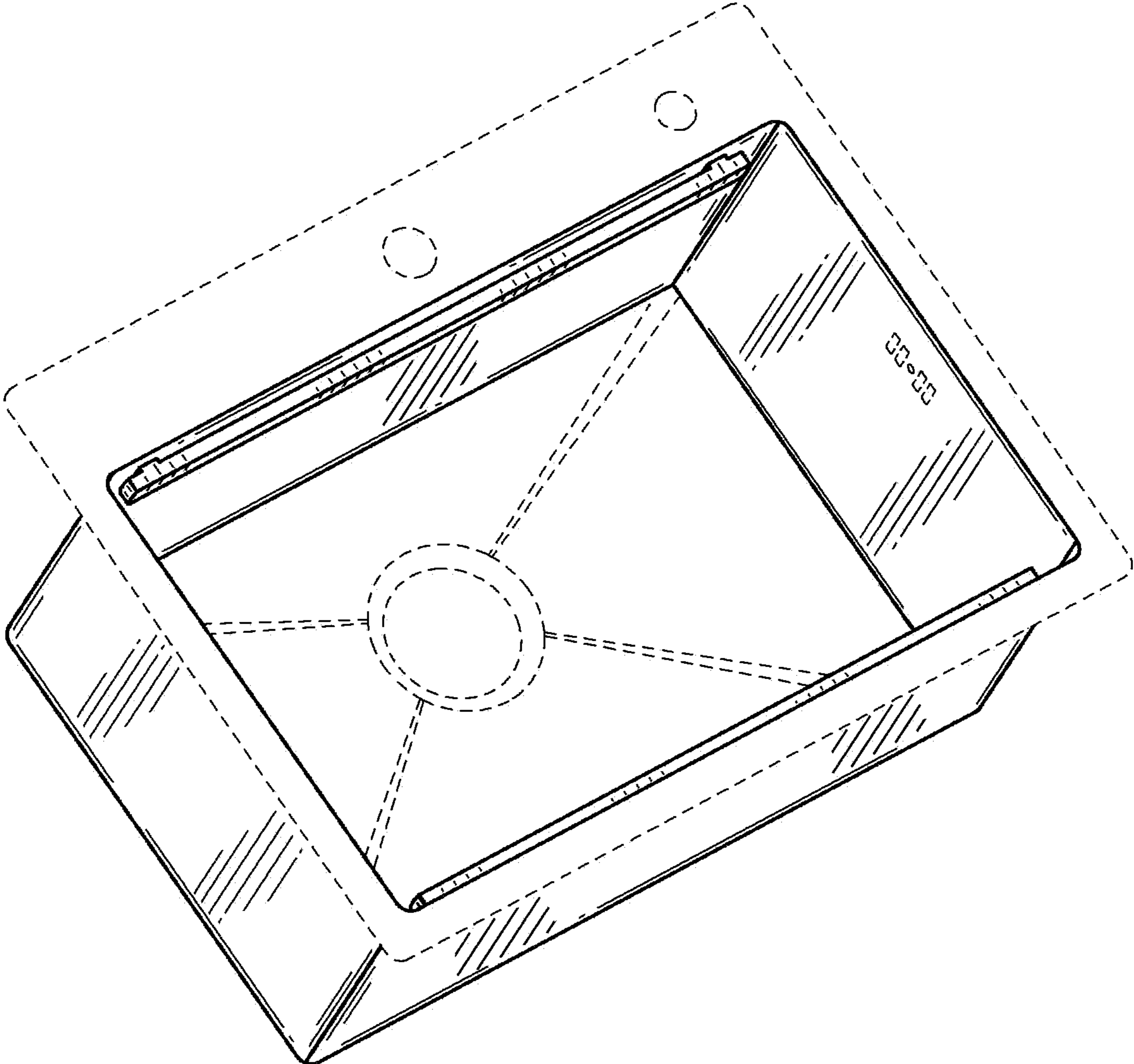


FIG. 1

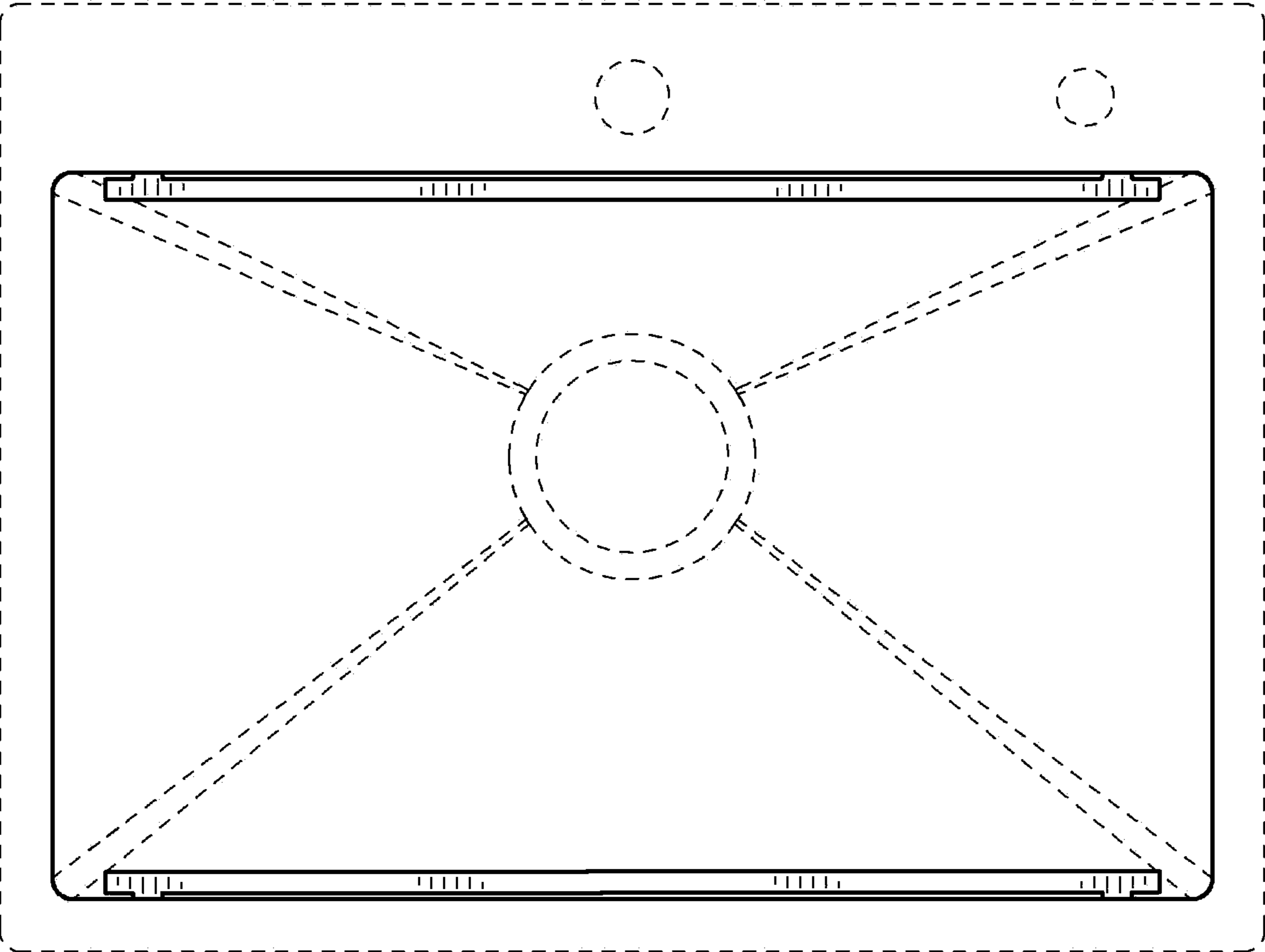


FIG. 2

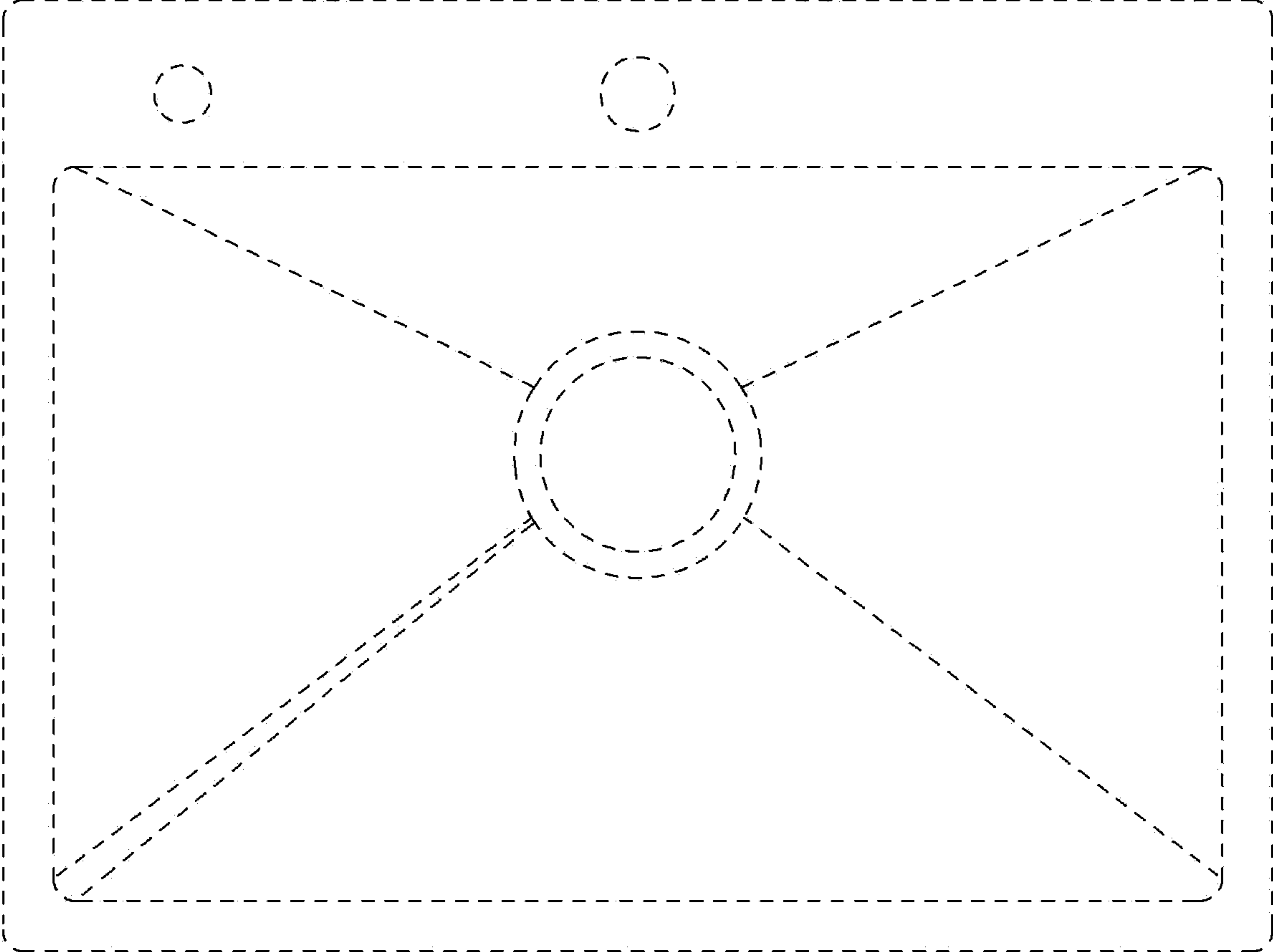


FIG. 3

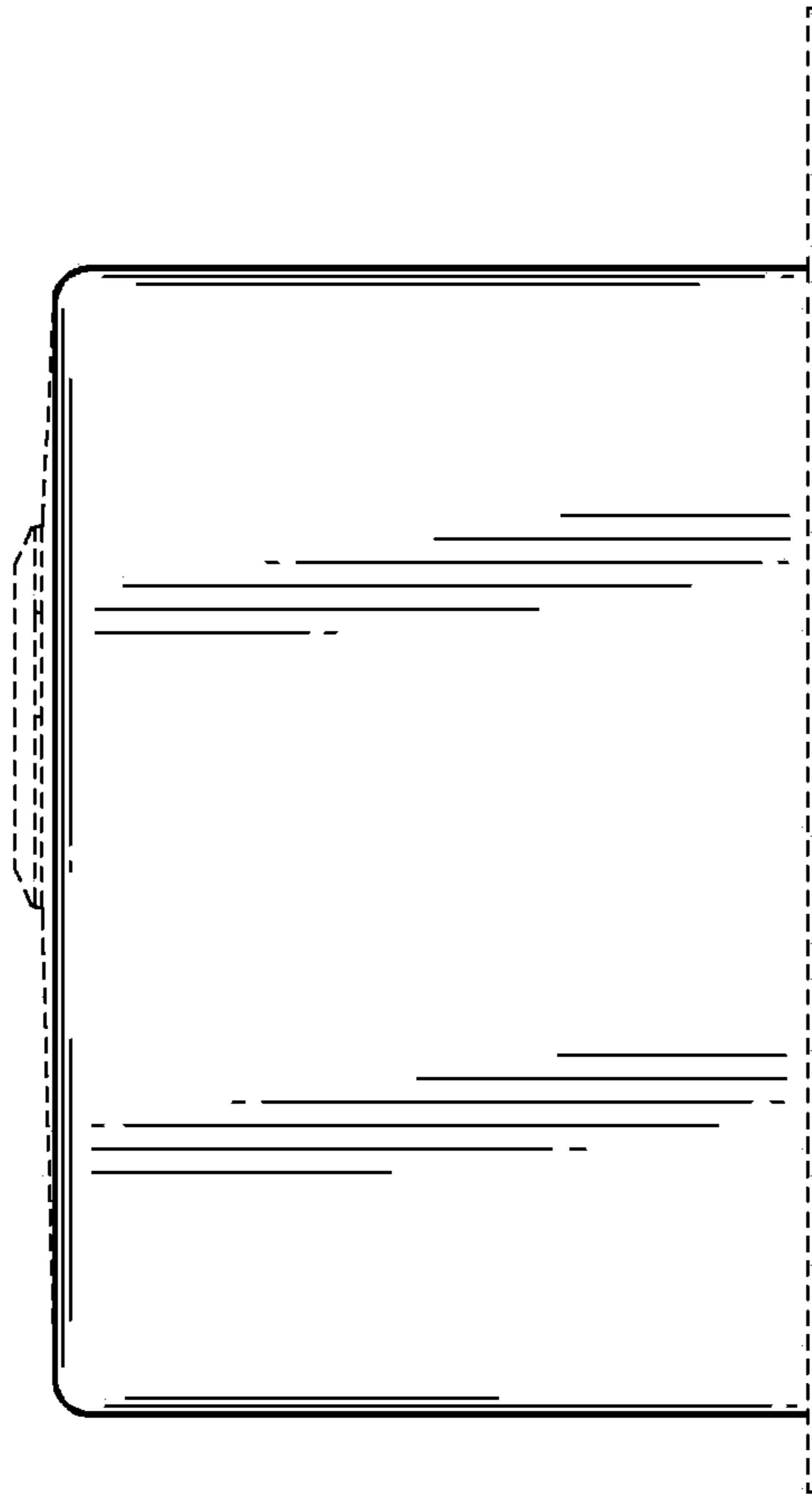


FIG. 4

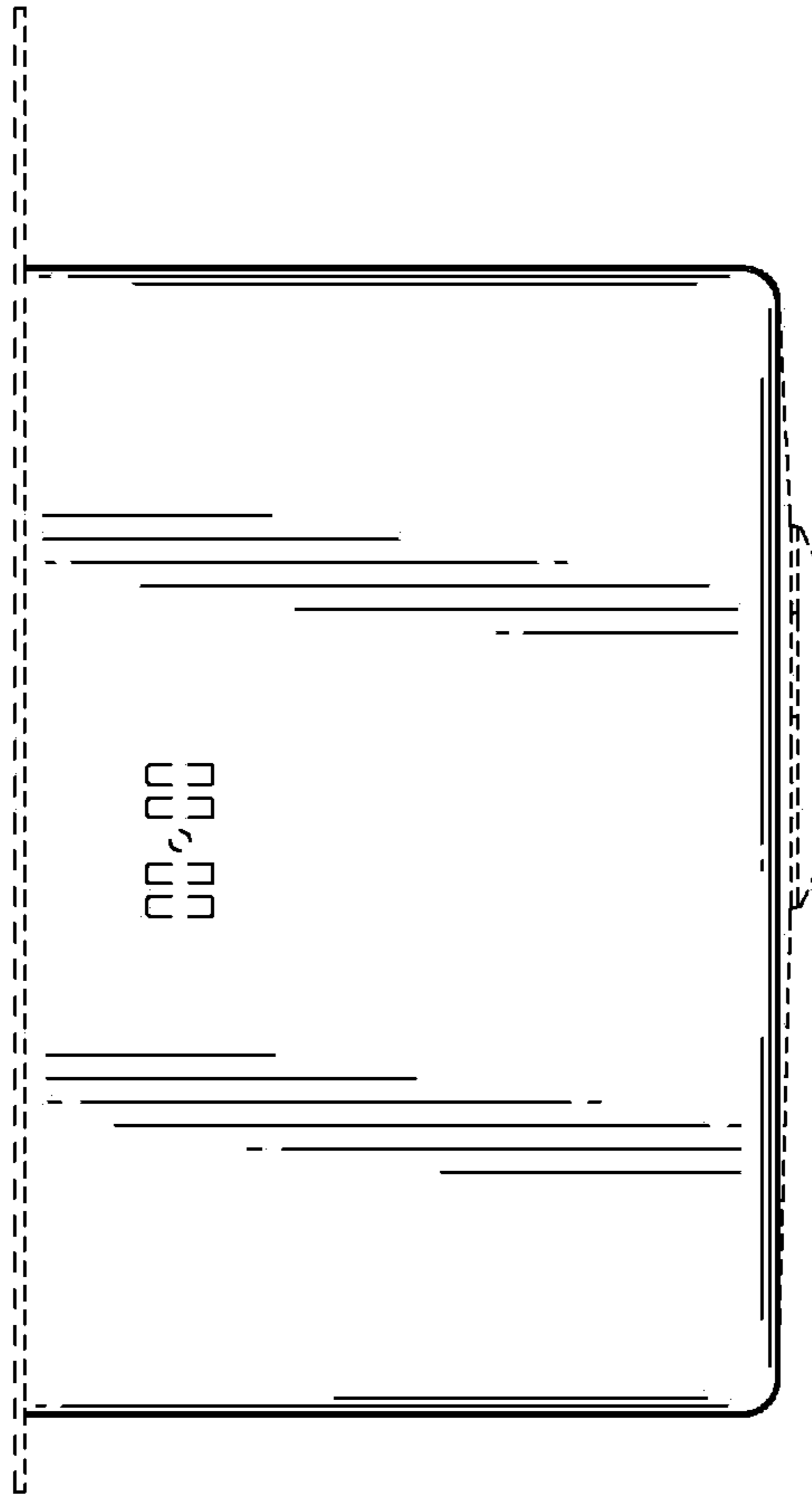


FIG. 5

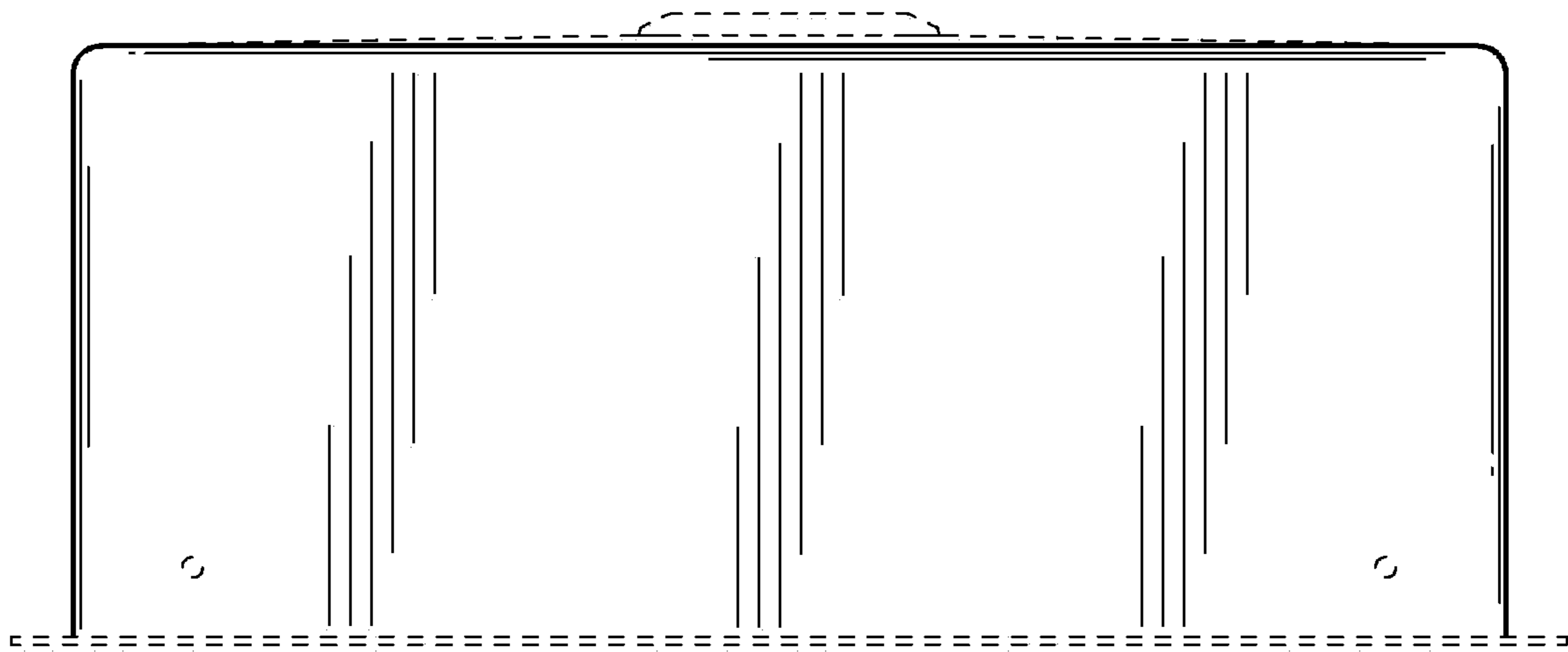


FIG. 6

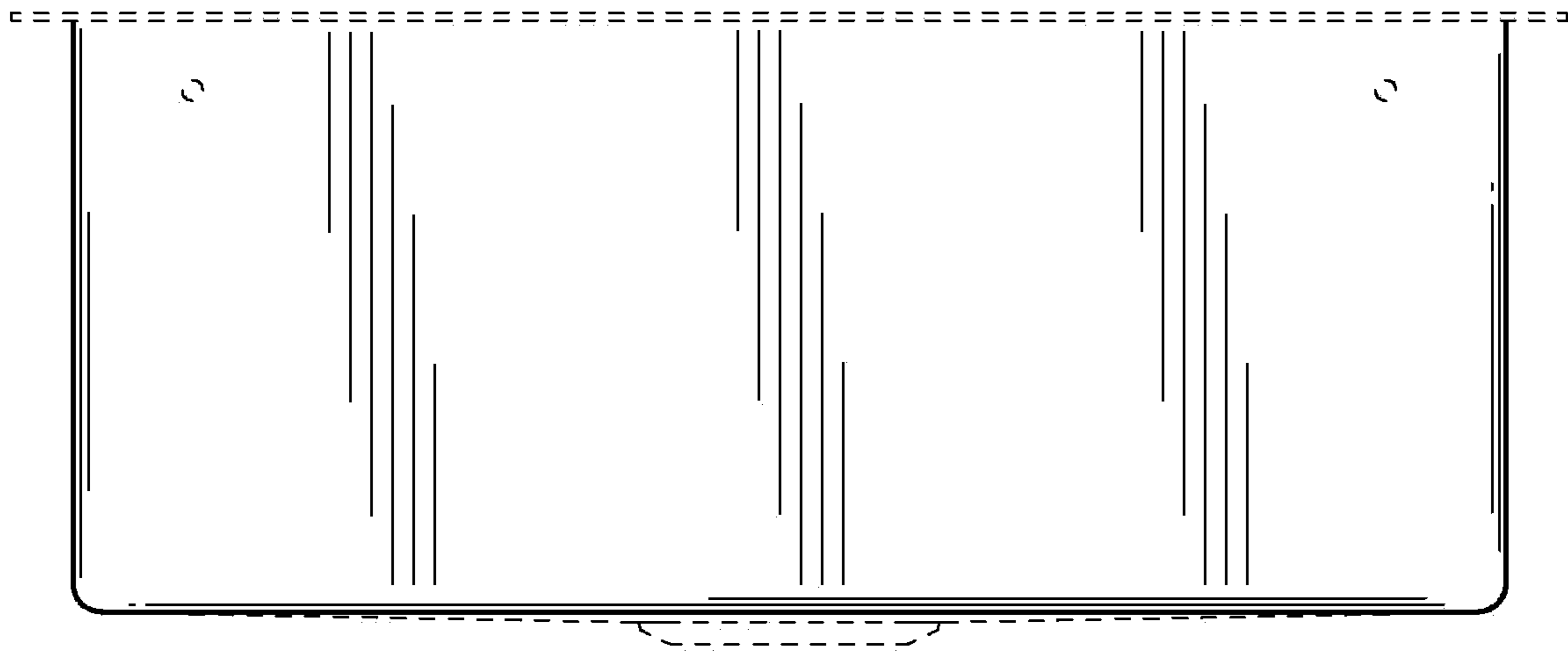


FIG. 7

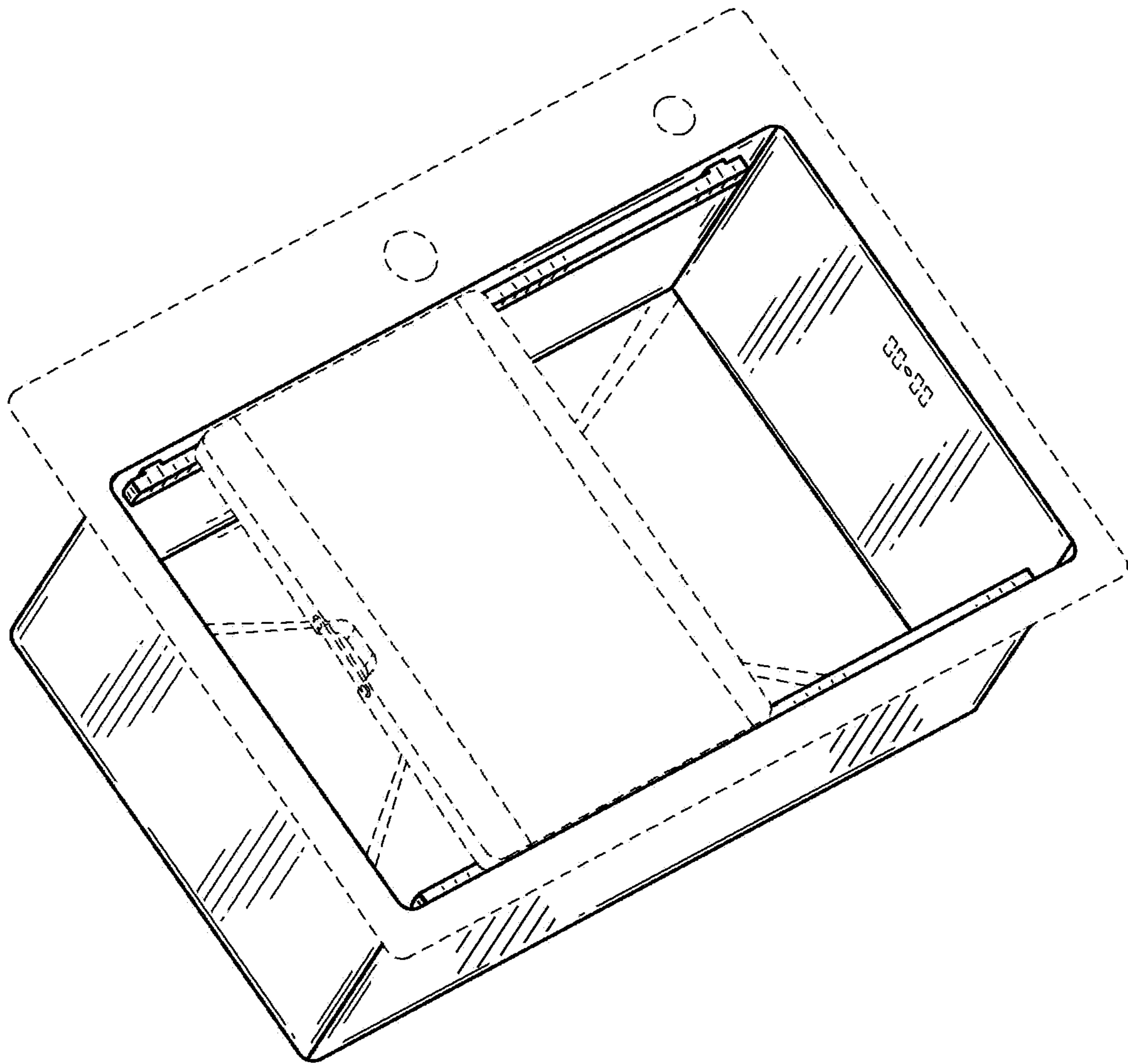


FIG. 8

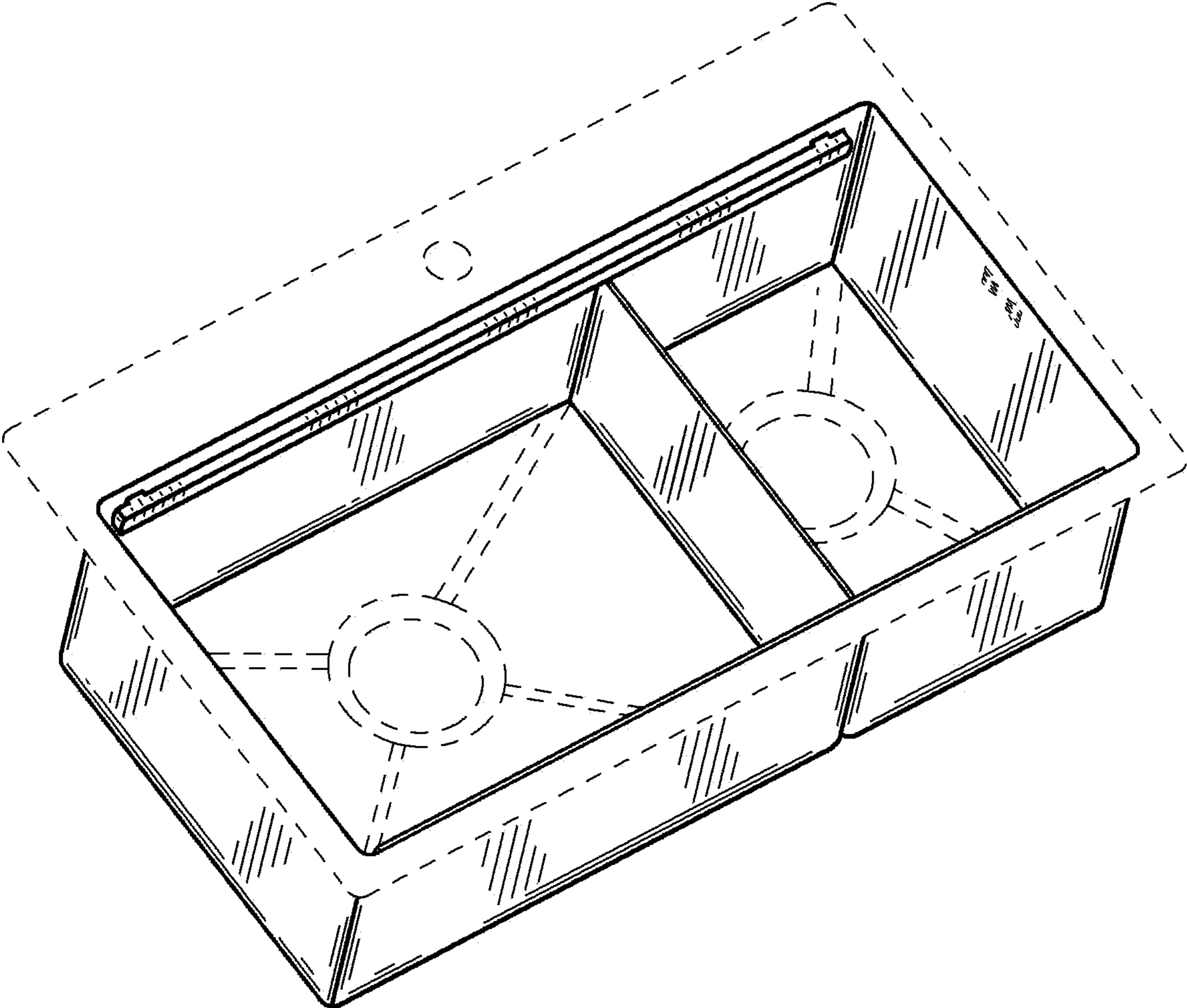


FIG. 9

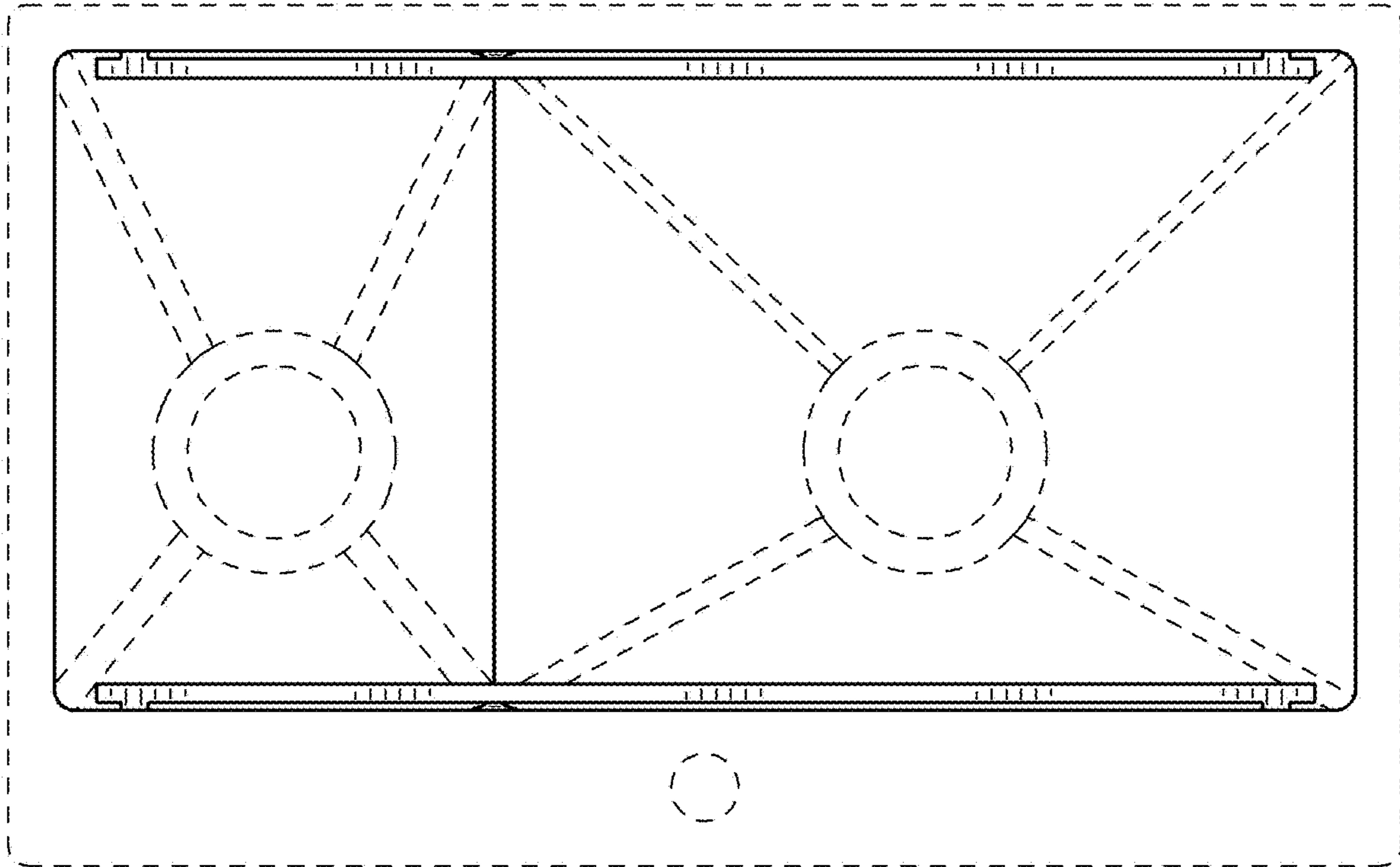


FIG. 10

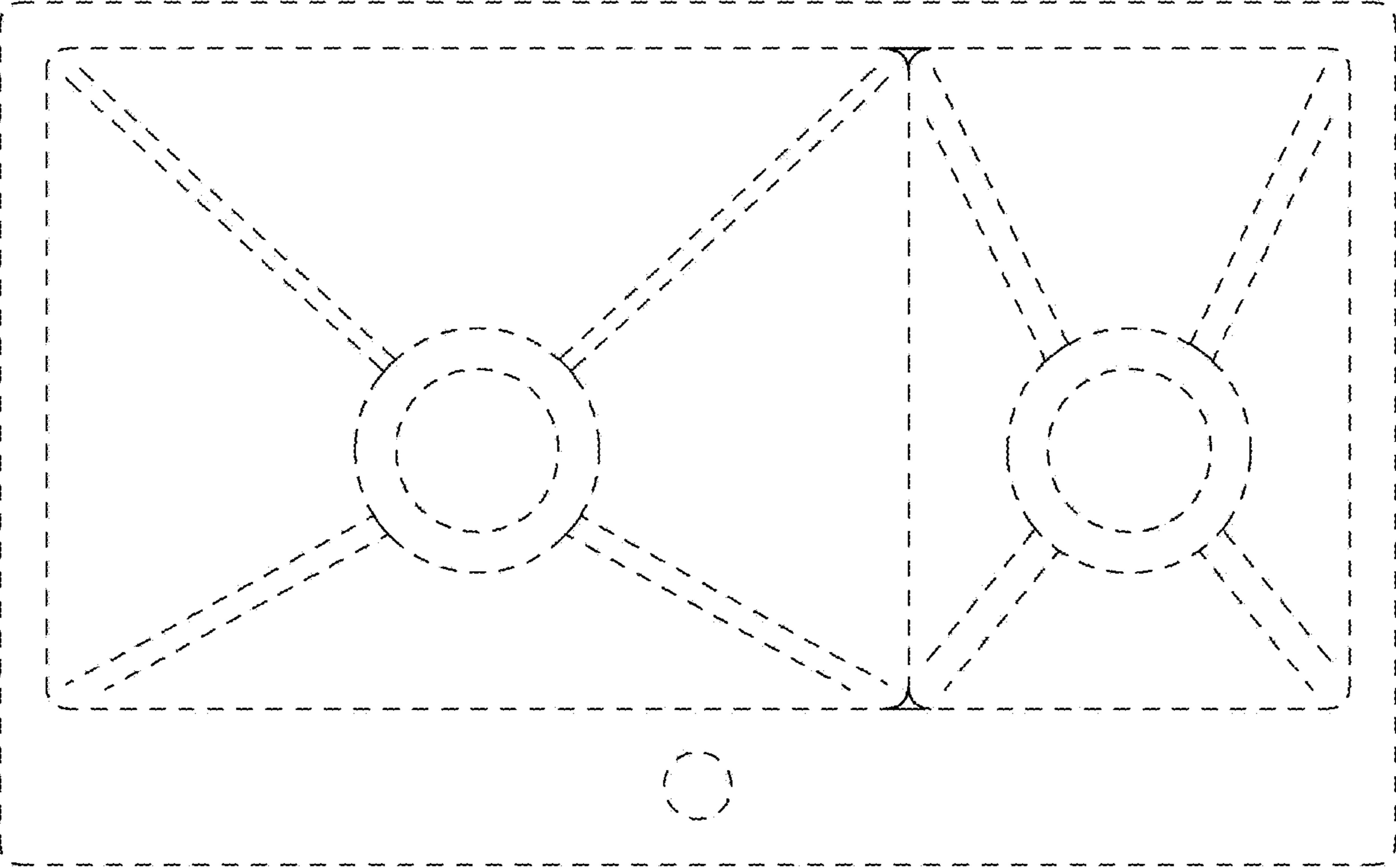


FIG. 11

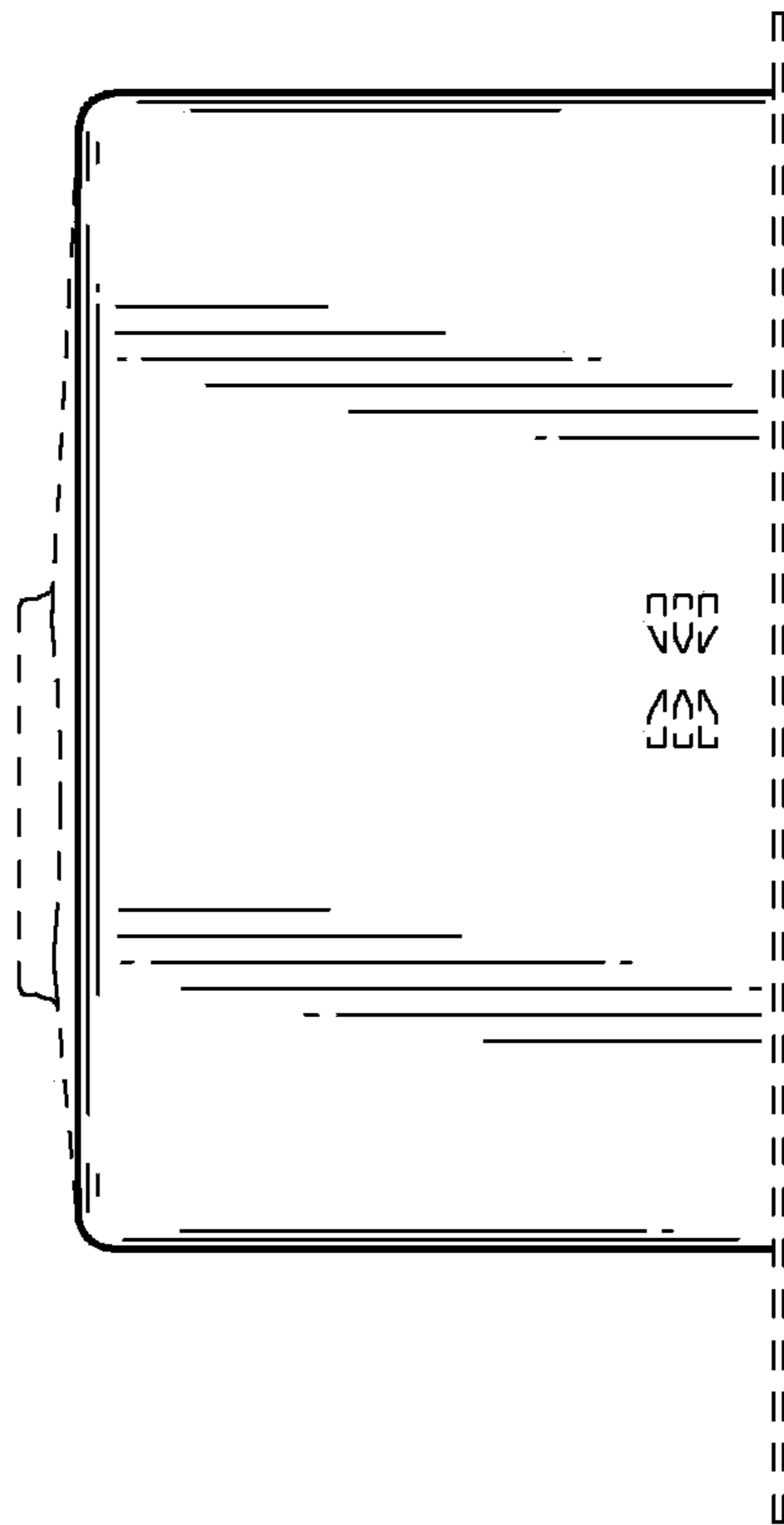


FIG. 12

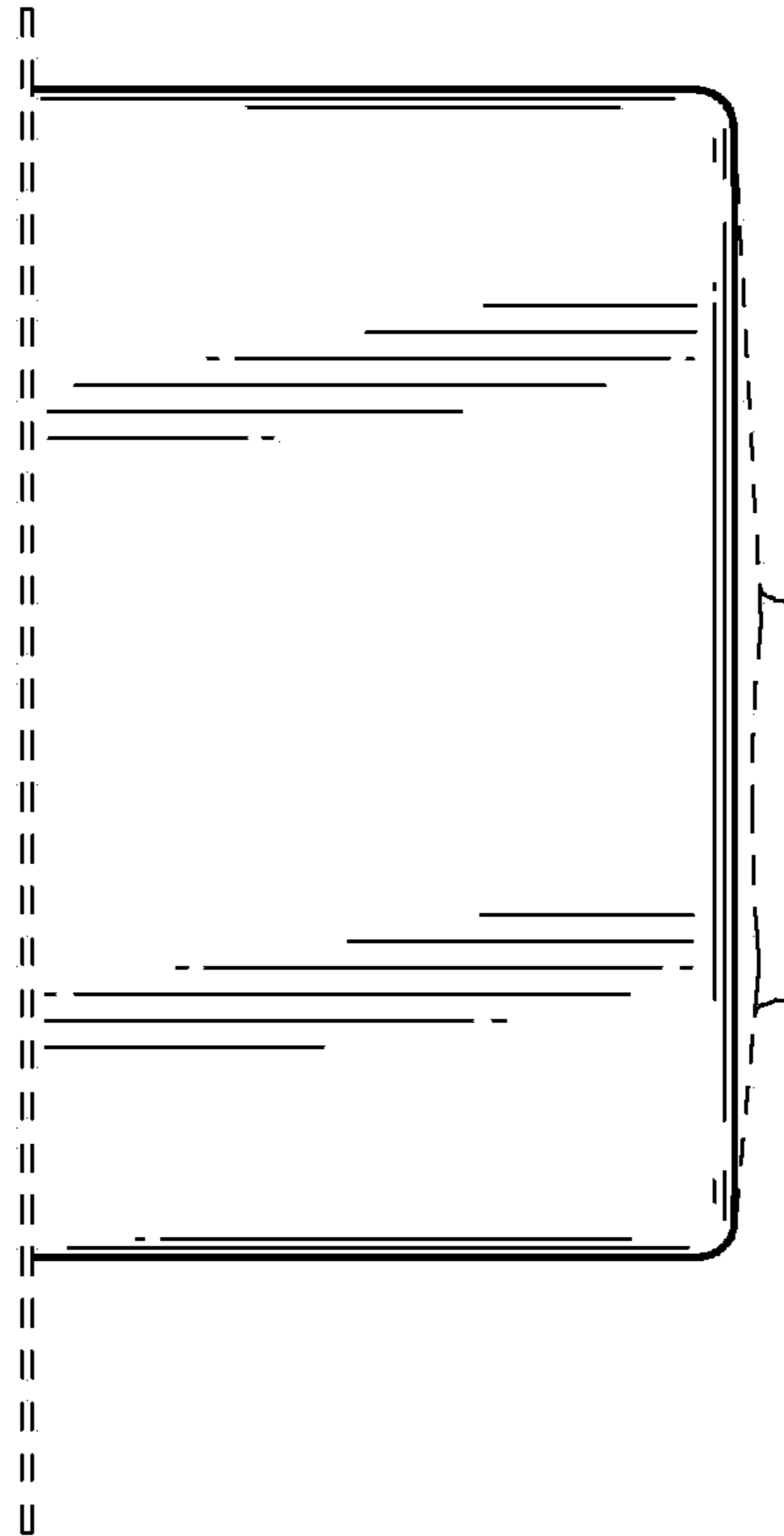


FIG. 13

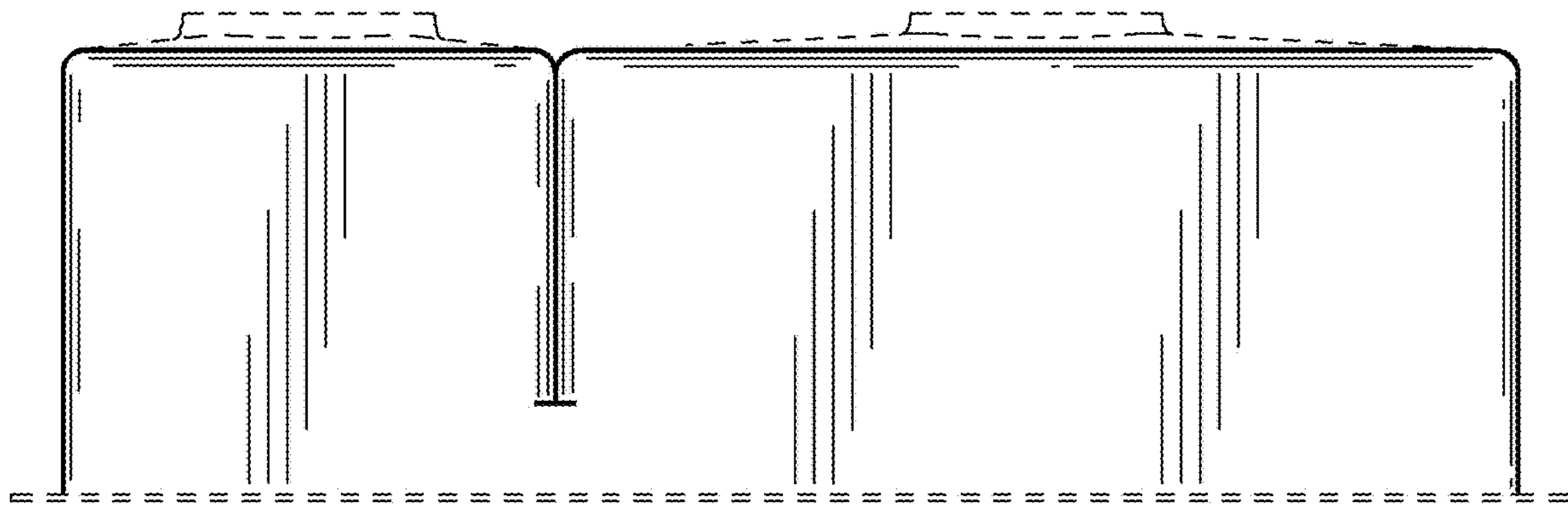


FIG. 14

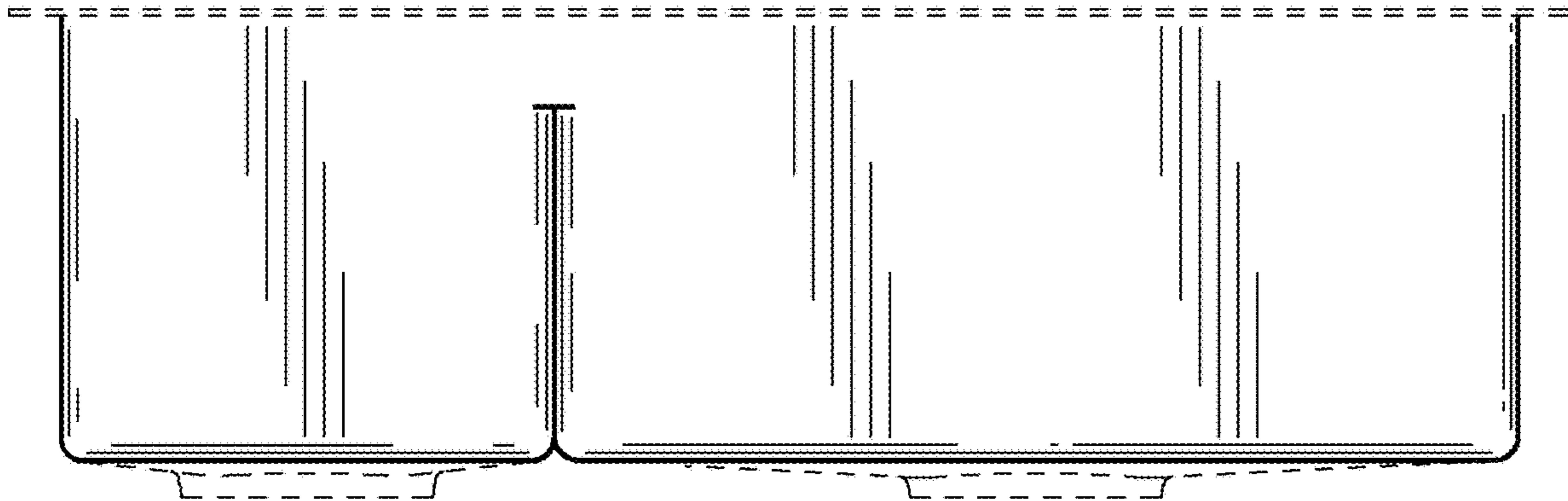


FIG. 15

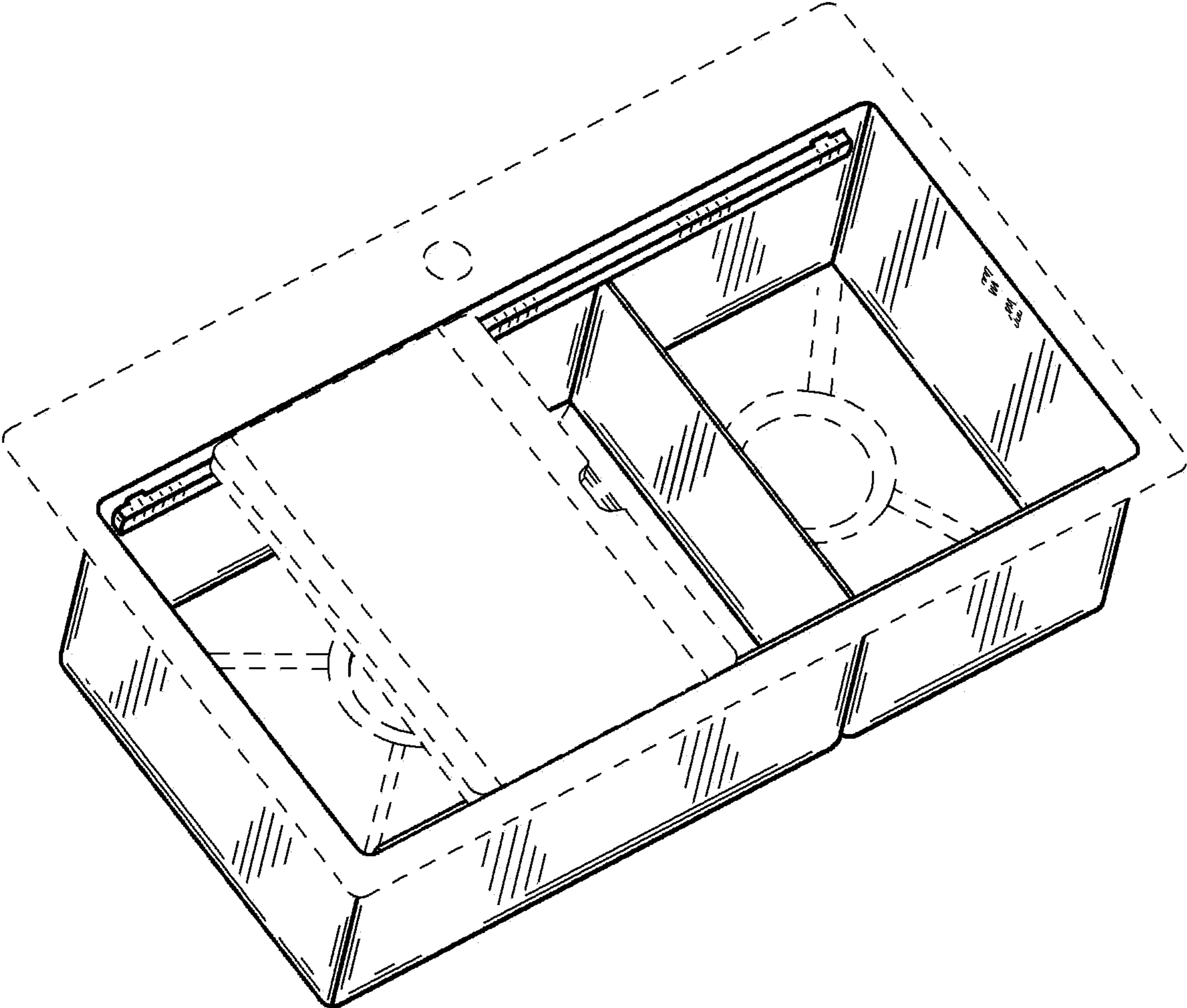


FIG. 16