



US00D905208S

(12) **United States Design Patent**  
**Loveridge**

(10) **Patent No.:** **US D905,208 S**

(45) **Date of Patent:** **\*\* Dec. 15, 2020**

(54) **MOUNT FOR AN OSCILLATING  
SPRINKLER**

(71) Applicant: **Alan D. Loveridge**, Marcellus, MI  
(US)

(72) Inventor: **Alan D. Loveridge**, Marcellus, MI  
(US)

(\*\*) Term: **15 Years**

(21) Appl. No.: **29/705,146**

(22) Filed: **Sep. 10, 2019**

(51) **LOC (12) Cl.** ..... **23-01**

(52) **U.S. Cl.**  
USPC ..... **D23/266; D23/214**

(58) **Field of Classification Search**  
USPC ..... D23/259, 262-266, 268, 214, 221;  
285/179, 179.1, 183, 124.1, 120.1,  
285/148.14, 148.19, 148.21, 345, 388,  
285/390, 377, 148.2, 328, 921, 131.1,  
285/132.1, 130.1, 133.11; 137/247.51  
CPC ... F16L 21/00; F16L 9/16; F16L 59/11; F16L  
43/002

See application file for complete search history.

(56) **References Cited**

**U.S. PATENT DOCUMENTS**

D249,276 S \* 9/1978 Levin ..... D23/263  
4,391,551 A \* 7/1983 Belcher ..... E03C 1/122  
138/37  
D302,458 S \* 7/1989 Locklair, Jr. .... D23/221

D321,746 S \* 11/1991 Cockman ..... D23/221  
D354,553 S \* 1/1995 Lange ..... D23/263  
D433,479 S \* 11/2000 Simon ..... D23/200  
D652,123 S \* 1/2012 Kleinsasser ..... D23/266  
D655,782 S \* 3/2012 Gill ..... D23/214  
D657,845 S \* 4/2012 Shafer ..... D23/214  
D675,298 S \* 1/2013 Gridley ..... G09B 19/00  
D23/266  
D727,470 S \* 4/2015 Agar ..... D23/262  
D760,875 S \* 7/2016 Adams ..... D23/266  
2010/0024121 A1 \* 2/2010 Dille ..... E03C 1/12  
4/679

\* cited by examiner

*Primary Examiner* — Amy C Wierenga

(74) *Attorney, Agent, or Firm* — Mitchell Law PLLC;  
Matthew W. Mitchell

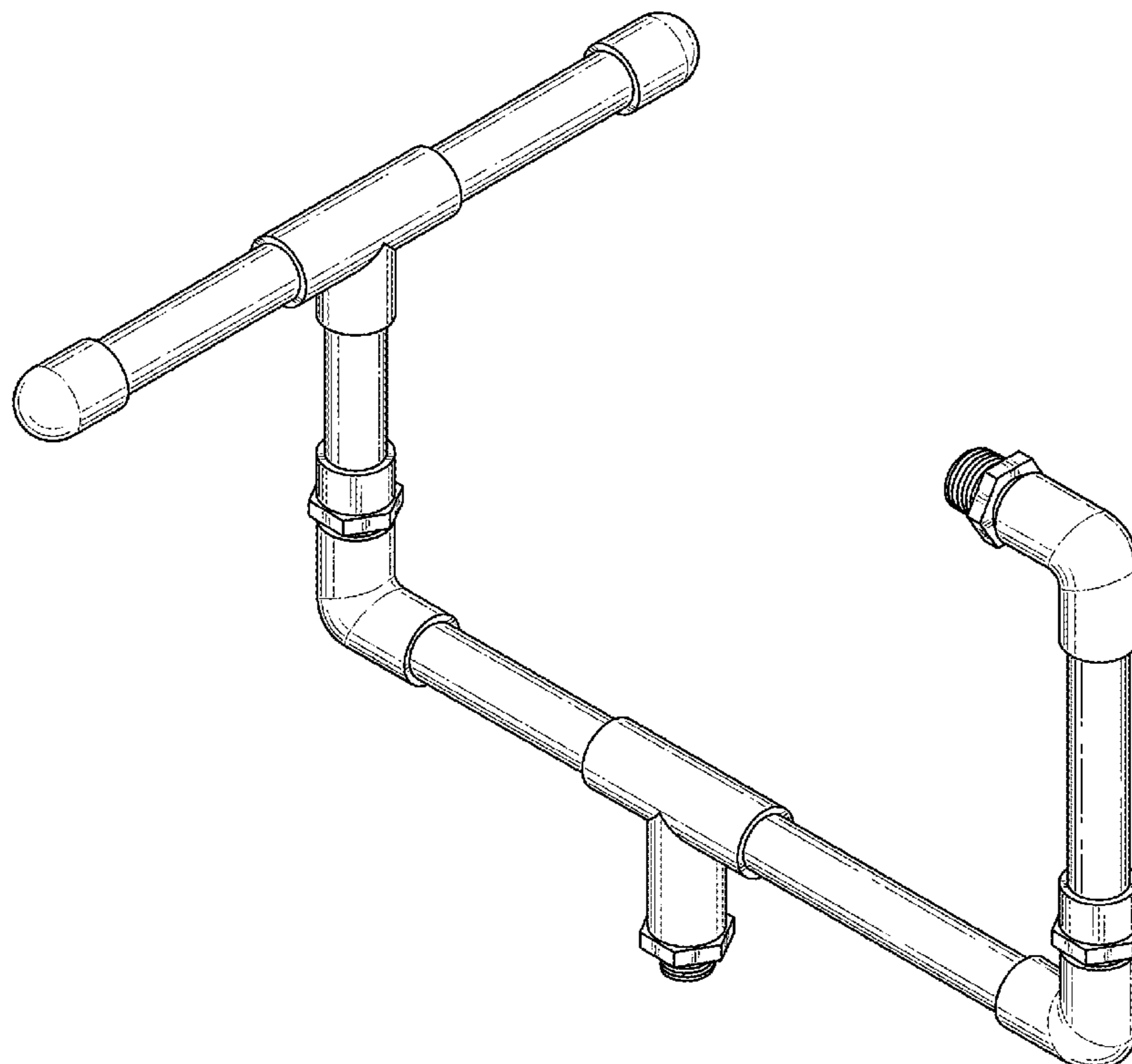
(57) **CLAIM**

The ornamental design for a mount for an oscillating sprin-  
kler, as shown and described.

**DESCRIPTION**

FIG. 1 is a front isometric view of the mount for an  
oscillating sprinkler of the present invention;  
FIG. 2 is a right-side view thereof;  
FIG. 3 is a left-side view thereof;  
FIG. 4 is a front view thereof;  
FIG. 5 is rear view thereof;  
FIG. 6 is a top plan view thereof; and,  
FIG. 7 is a bottom plan view thereof.  
The broken lines represent boundaries to disclaim the inte-  
rior of the mount for an oscillating sprinkler.

**1 Claim, 7 Drawing Sheets**



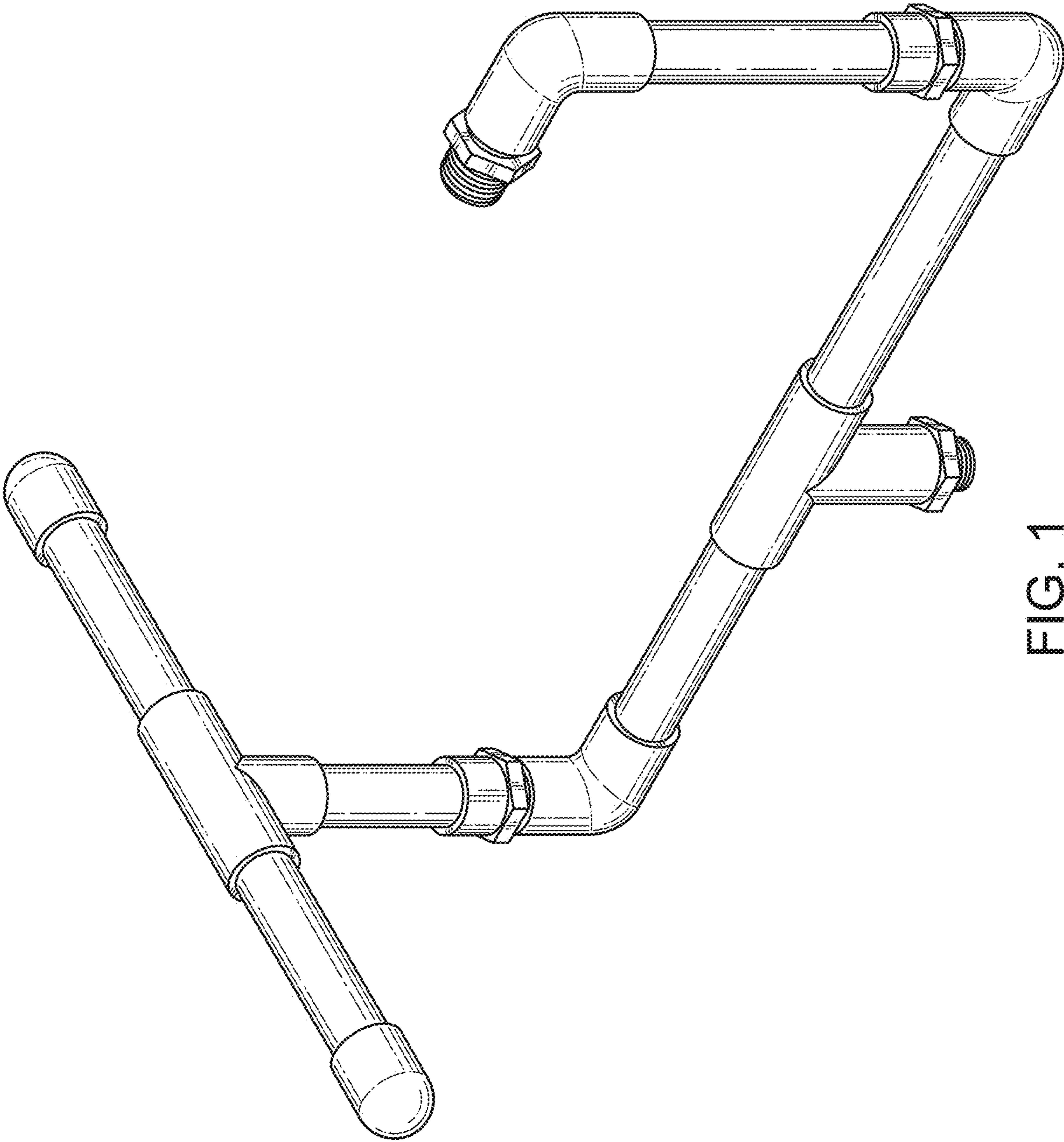


FIG. 1

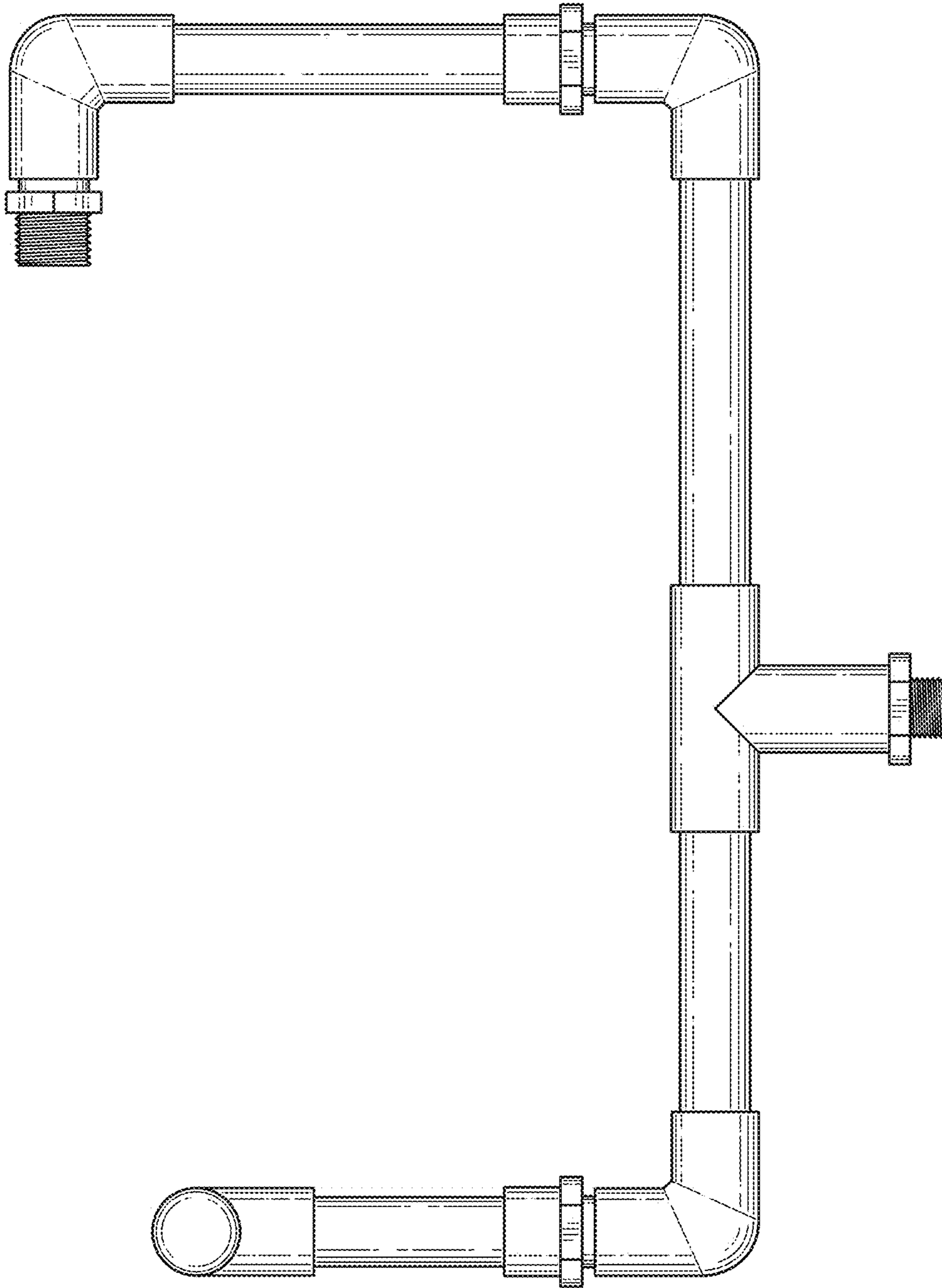


FIG. 2

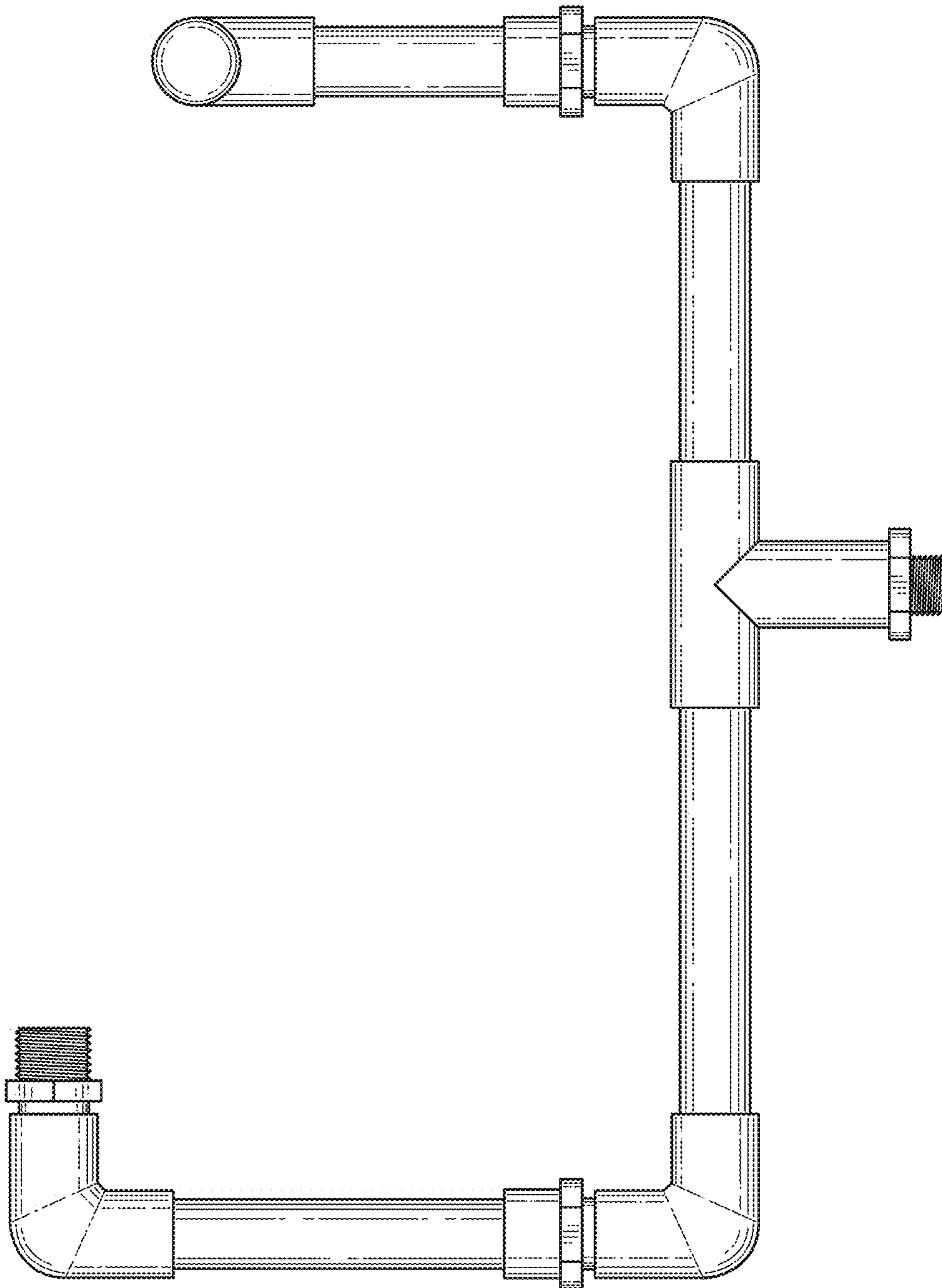


FIG. 3

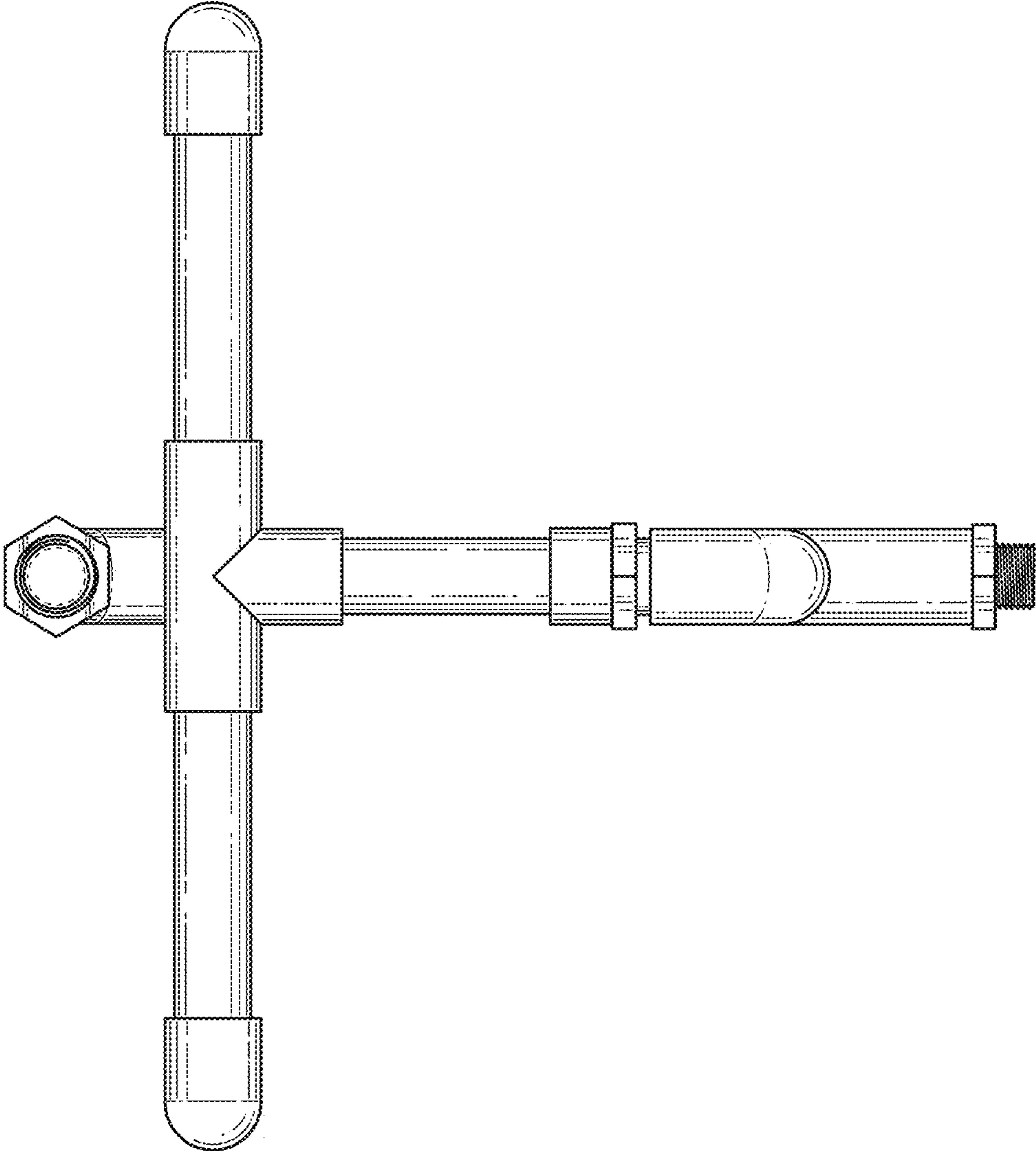


FIG. 4



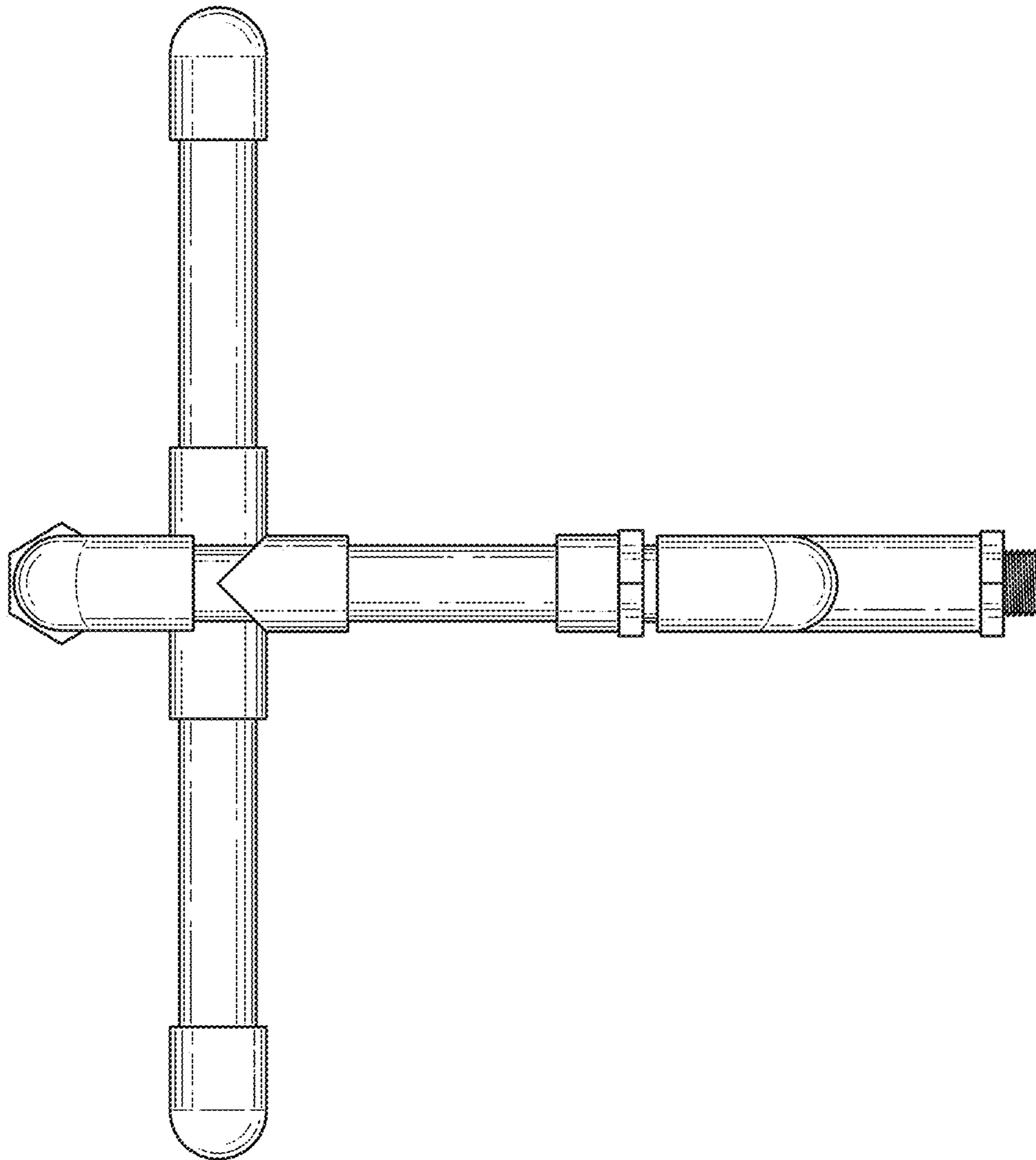


FIG. 5

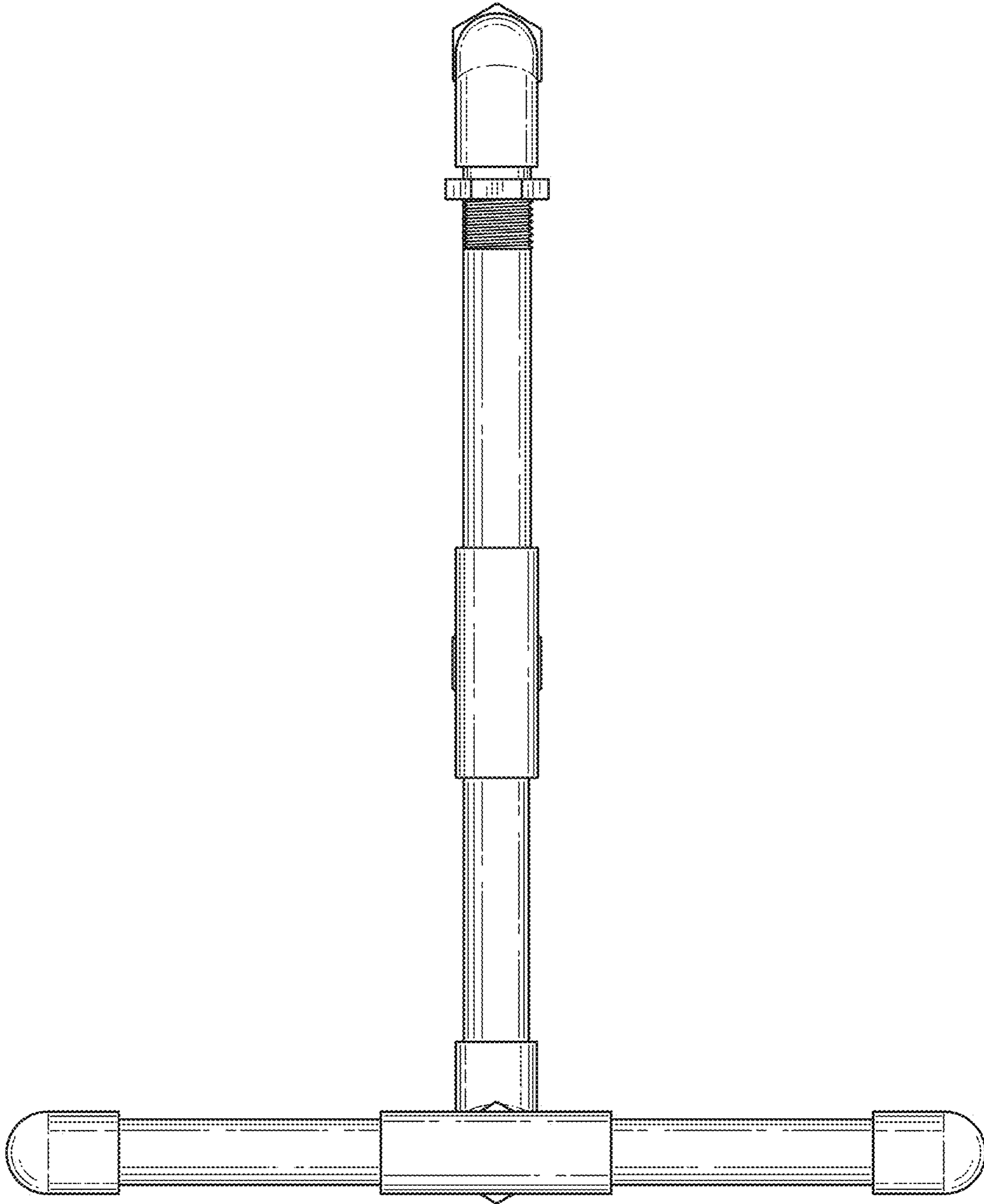


FIG. 6

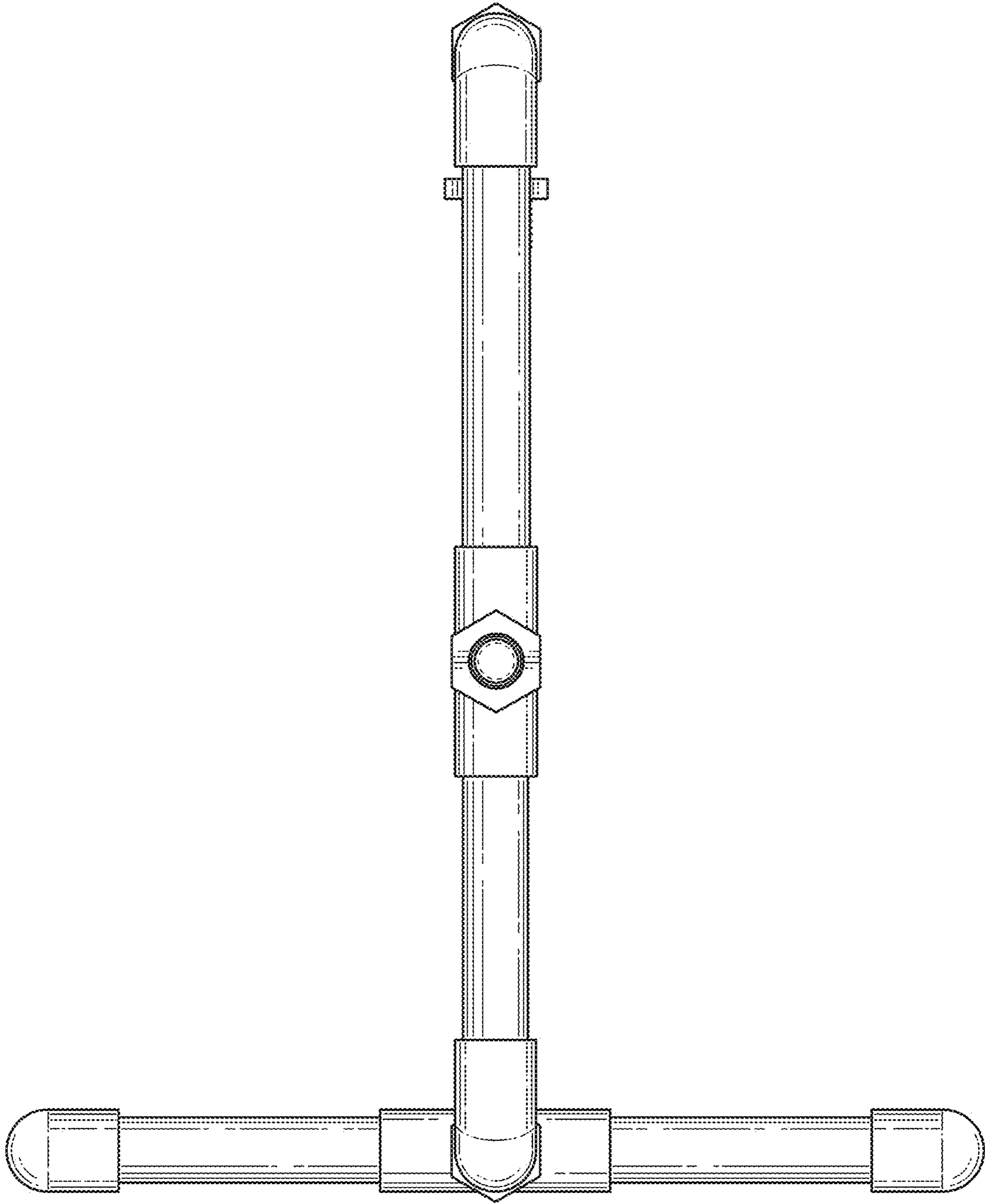


FIG. 7