



US00D905207S

(12) **United States Design Patent**
Keough et al.

(10) **Patent No.:** **US D905,207 S**

(45) **Date of Patent:** **** Dec. 15, 2020**

(54) **STRIPED HOSE**

(71) Applicant: **NORDSON CORPORATION**,
Westlake, OH (US)

(72) Inventors: **Jim Keough**, Cumming, GA (US);
Justin A. Clark, Suwanee, GA (US)

(73) Assignee: **Nordson Corporation**, Westlake, OH
(US)

(**) Term: **15 Years**

(21) Appl. No.: **29/580,454**

(22) Filed: **Oct. 10, 2016**

(51) **LOC (12) Cl.** **23-01**

(52) **U.S. Cl.**
USPC **D23/266**

(58) **Field of Classification Search**
USPC D23/259, 260, 262-267, 213, 223, 226,
D23/232-237, 264; D24/129; D8/382,
D8/396; 251/149.6-149.9, 149.1, 149;
285/245, 246, 249, 322, 248, 251, 253;
(Continued)

(56) **References Cited**

U.S. PATENT DOCUMENTS

D52,570 S * 10/1918 Hallgreen D23/266
1,361,206 A * 12/1920 Verhunce B29D 23/001
138/126

(Continued)

OTHER PUBLICATIONS

65" Silver Stripe Egyptian Hookah Hose, Hookah Company, Avail-
able Online May 31, 2015, [Visited Online via WayBack Machine
Website Jul. 23, 2018], [https://web.archive.org/web/20150531023937/
https://www.hookahcompany.com/silver_stripe_egyptian_hookah_
hose_2225_prd1.htm](https://web.archive.org/web/20150531023937/https://www.hookahcompany.com/silver_stripe_egyptian_hookah_hose_2225_prd1.htm).*

(Continued)

Primary Examiner — Amy C Wierenga

(74) *Attorney, Agent, or Firm* — Baker & Hostetler LLP

(57) **CLAIM**

The ornamental design for a striped hose, as shown and described.

DESCRIPTION

FIG. 1 is an isometric view of a first embodiment of a striped hose;

FIG. 2 is a right side view thereof;

FIG. 3 is an enlarged detail view of portion "3" of FIG. 2, showing a braided surface texture that is illustrative of a surface texture of an entirety of the claimed portion;

FIG. 4 is a left side view thereof;

FIG. 5 is a front view thereof;

FIG. 6 is a rear view thereof;

FIG. 7 is a top view thereof; and

FIG. 8 is a bottom view thereof.

FIG. 9 is an isometric view of a second embodiment of a striped hose;

FIG. 10 is a right side view thereof;

FIG. 11 is an enlarged detail view of portion "11" of FIG. 10, showing a braided surface texture that is illustrative of a surface texture of an entirety of the claimed portion;

FIG. 12 is a left side view thereof;

FIG. 13 is a front view thereof;

FIG. 14 is a rear view thereof;

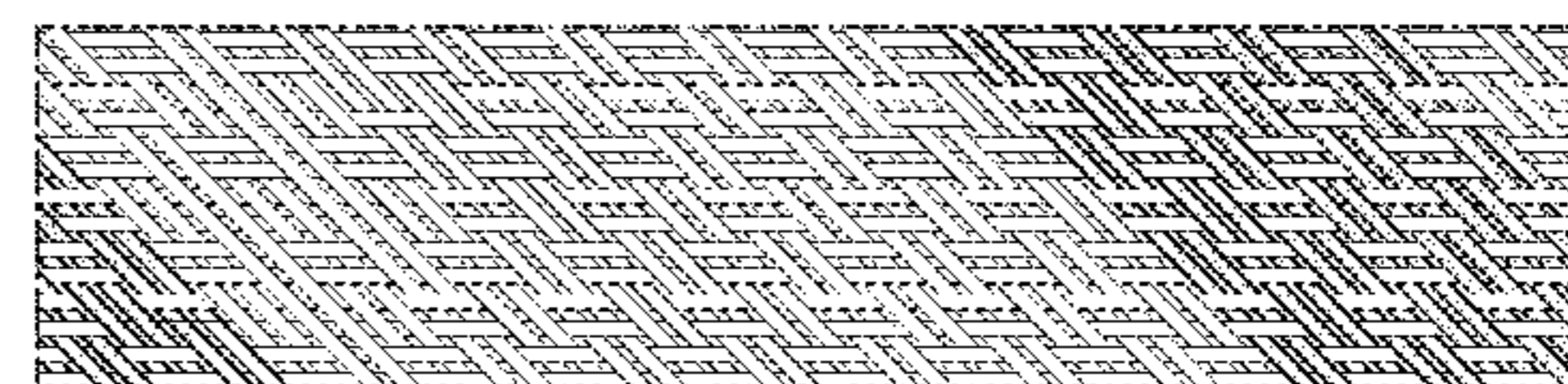
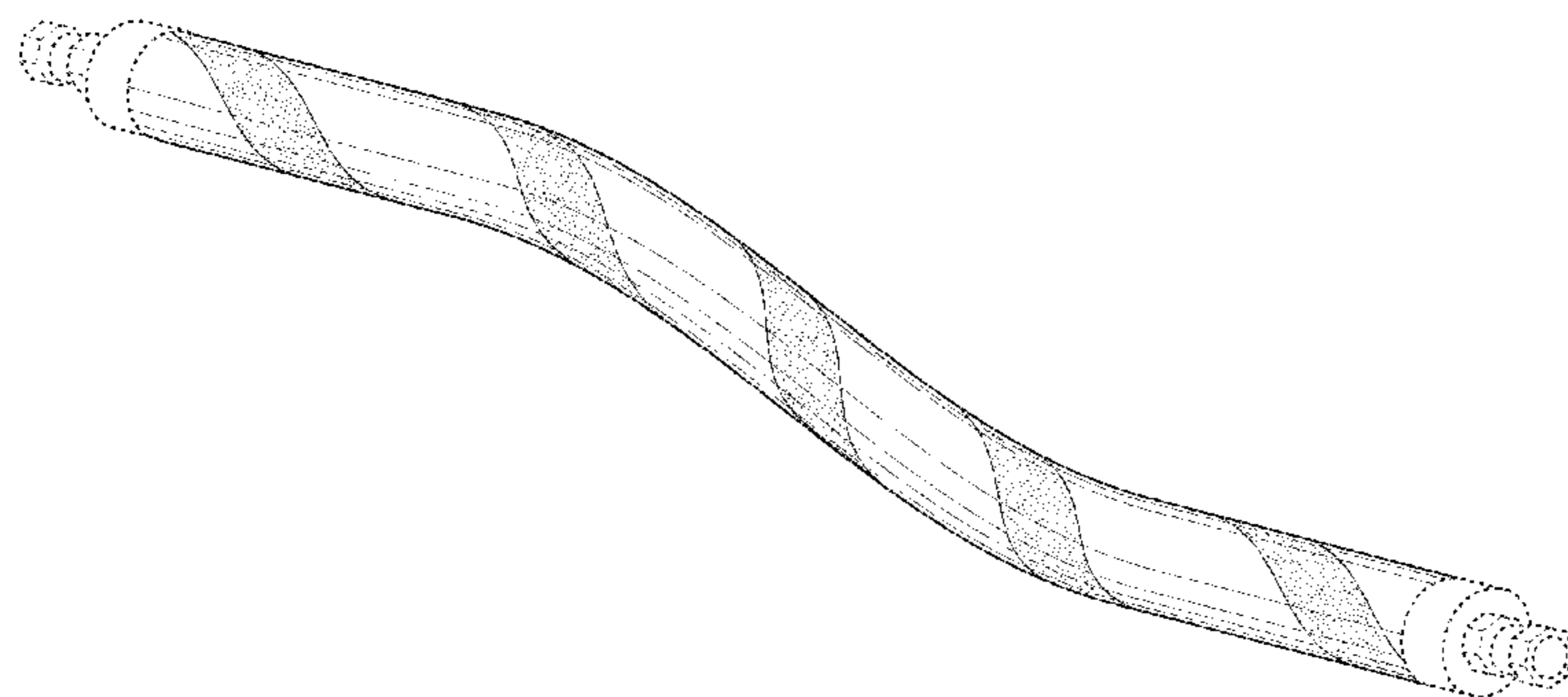
FIG. 15 is a top view thereof; and,

FIG. 16 is a bottom view thereof.

The broken lines shown in the drawings are for the purpose of illustrating environment that form no part of the claim.

The dot dash broken lines indicate cutoff boundaries for enlarged detailed portion views and form no part of the claim. The stippling represents a contrast in appearance, not a surface texture of the claimed design.

1 Claim, 10 Drawing Sheets



(58) **Field of Classification Search**

USPC 137/614, 614.02–614.06; D29/129;
 D32/25, 32; 138/126, 132
 CPC F16L 37/0841; F16L 37/35; F16L 37/34;
 F16L 37/142; F16L 37/413; F16L 37/30;
 F16L 37/44; F16L 37/36; F16L 45/00;
 F16L 5/00; F16L 55/105; F16L 55/1007;
 F16L 19/0212; F16L 11/121; F16L
 11/112; F16L 11/085; F16L 2201/60;
 E03C 1/122

See application file for complete search history.

(56) **References Cited**

U.S. PATENT DOCUMENTS

3,058,493 A * 10/1962 Muller B29C 47/023
 138/122
 4,741,087 A * 5/1988 Plummer, Jr. B29C 61/0658
 138/123
 5,562,126 A * 10/1996 Briand F16L 11/10
 138/123
 5,927,345 A * 7/1999 Samson A61M 39/08
 138/127
 5,931,200 A * 8/1999 Mulvey F16L 19/0212
 138/109
 D413,657 S * 9/1999 Lidgett D23/266
 6,148,865 A * 11/2000 Head B29C 70/222
 138/123
 6,308,741 B1 * 10/2001 Payne F16L 11/11
 138/108
 D469,520 S * 1/2003 McLean D23/266
 D483,534 S * 12/2003 Nelson D32/25
 D488,544 S * 4/2004 Akaltan D23/266
 D499,465 S * 12/2004 Paul, III D23/266
 6,955,189 B1 * 10/2005 Weyker F16L 11/121
 138/104
 D525,676 S * 7/2006 Arno D23/209
 D605,737 S * 12/2009 von Glanstaetten D23/266
 D613,378 S * 4/2010 Hinson D23/266
 D698,107 S * 1/2014 Selby D32/25
 8,776,836 B2 * 7/2014 Ragner F16L 11/118
 138/119
 D724,187 S * 3/2015 Savage D23/266
 9,709,194 B1 * 7/2017 Pan F16L 11/20

2001/0017164 A1 * 8/2001 Fukui A47L 9/24
 138/125
 2009/0095460 A1 * 4/2009 Wang F28D 15/046
 165/177
 2009/0133770 A1 * 5/2009 Pan B32B 1/08
 138/127
 2010/0071795 A1 * 3/2010 Montalvo F16L 11/085
 138/126
 2010/0236655 A1 * 9/2010 Gregrich B23P 19/00
 138/125
 2011/0000572 A1 * 1/2011 Ramaswamy B32B 5/22
 138/149
 2011/0303317 A1 * 12/2011 Montalvo F16L 11/082
 138/129
 2014/0007881 A1 * 1/2014 Rummery A61M 16/0683
 128/206.21
 2014/0083547 A1 * 3/2014 Hwang F16L 11/124
 138/104
 2014/0251484 A1 * 9/2014 Kury D04C 1/06
 138/124
 2015/0041016 A1 * 2/2015 Ragner F16L 11/118
 138/121
 2015/0198269 A1 * 7/2015 DiMascio B32B 15/02
 138/127
 2018/0017200 A1 * 1/2018 Keough F16L 53/008

OTHER PUBLICATIONS

Black/Silver Stripe Silicone Hookah Hose With Nylon Sleeve and Silver Aluminium Handle, Shishaholics, Copyright 2015, [Visited Online Jul. 23, 2018], <http://www.sheeshaholics.com/black-silver-stripe-silicone-hookah-hose-with-nylon-sleeve-and-silver-aluminium-handle>.*

Kikkerland Biodegradable Paper Straws, Red and White Striped, Box of 144 , First Listed & Available on Amazon Oct. 28, 2010, [Visited Online Jul. 23, 2018], https://www.amazon.com/Kikkerland-Biodegradable-Paper-Straws-Striped/dp/B004K8N0Z0/ref=pd_sim_79_7?_encoding=UTF8&pd_rd_i=B004K8N0Z0&pd_rd_r=245QQQXK2R7D055Z0.*

PureFlow Hoses with Redi Flex II Mounting System; Nordson PureFlow Hoses Product Literature Published Aug. 2019; Visited online at Nordson website on Apr. 28, 2020; <https://www.nordson.com/en/divisions/adhesive-dispensing-systems/products/hoses/pureflow-hoses> (Year: 2019).*

* cited by examiner

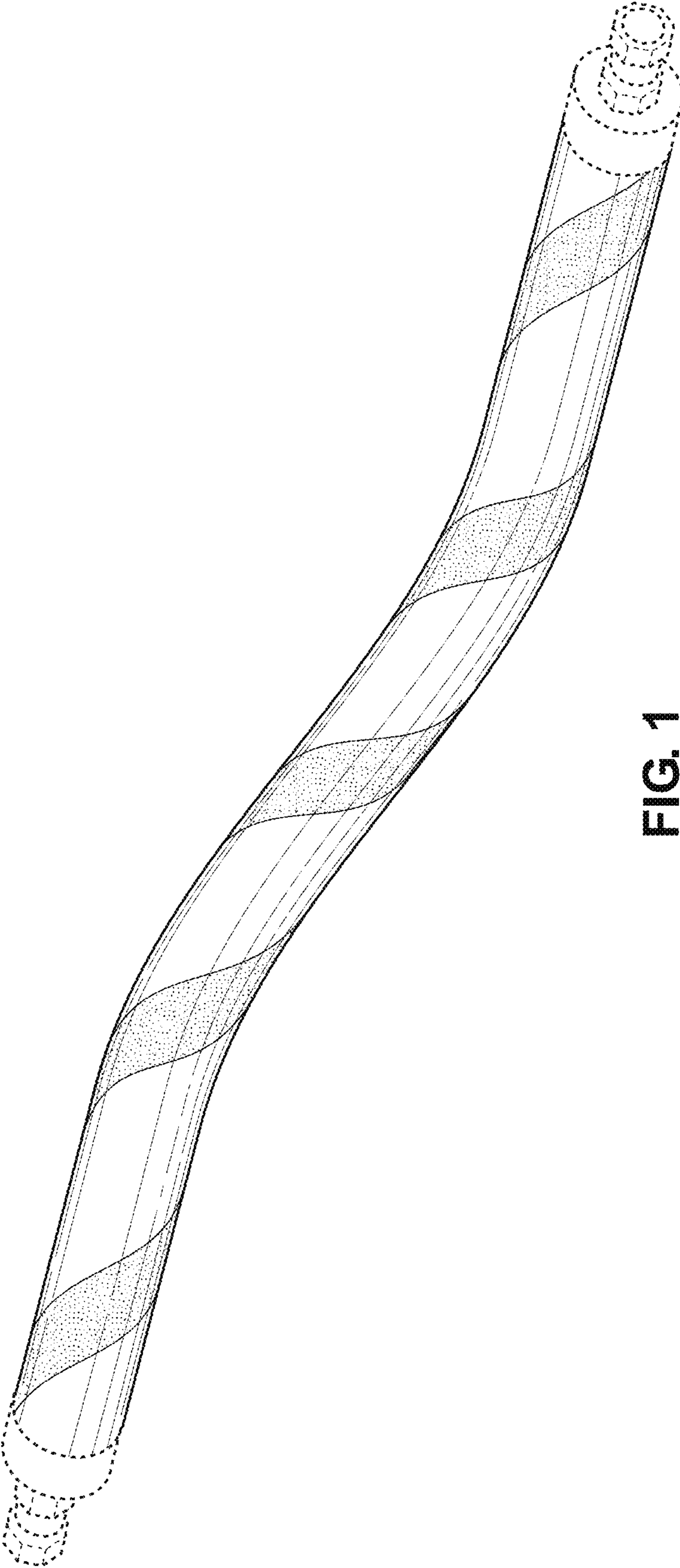


FIG. 1

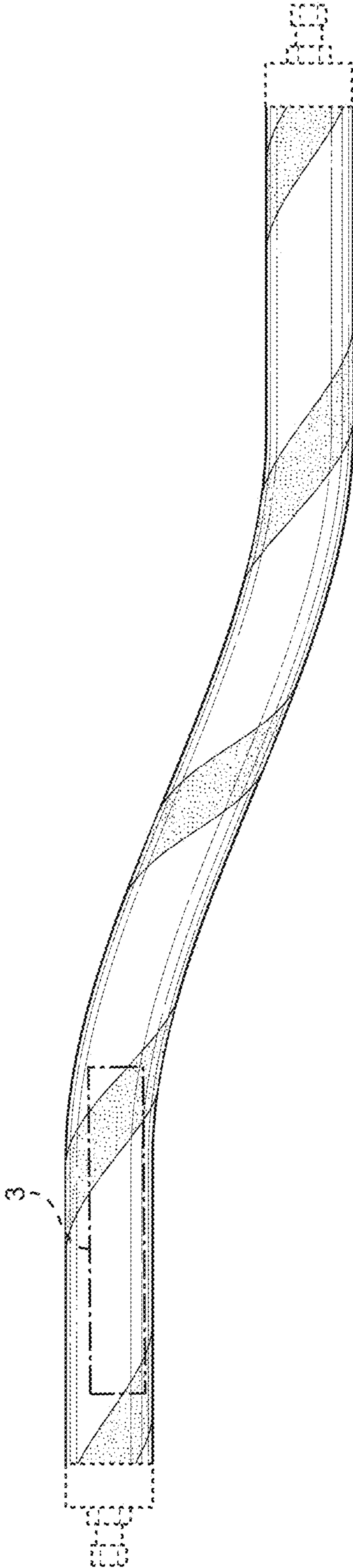


FIG. 2

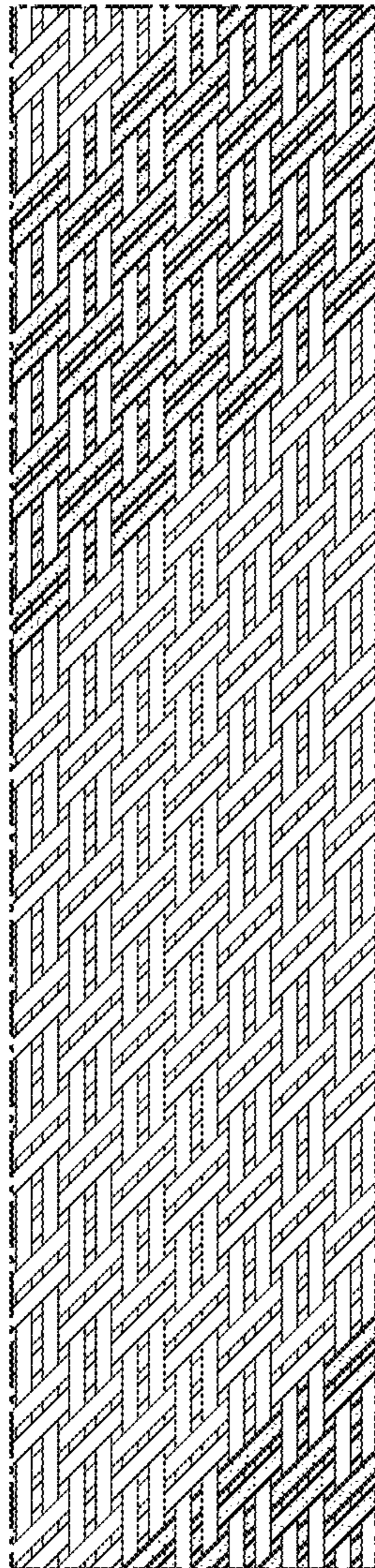


FIG. 3

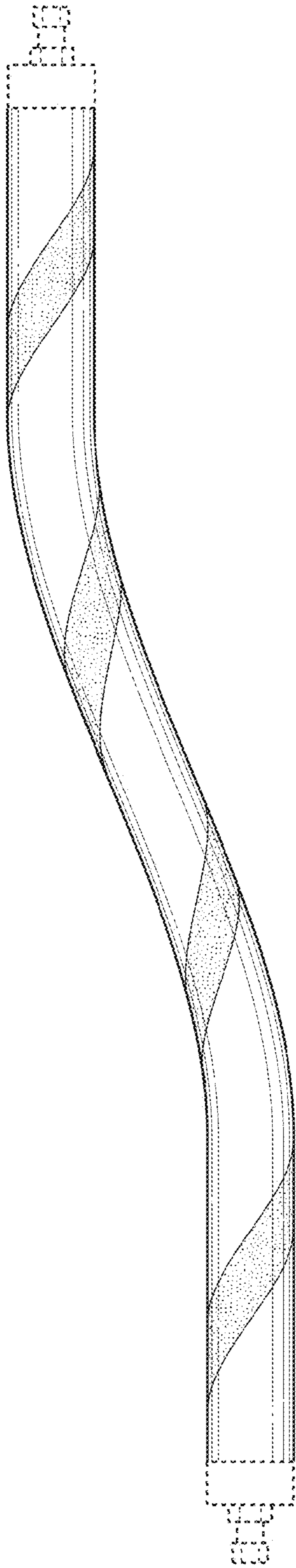


FIG. 4

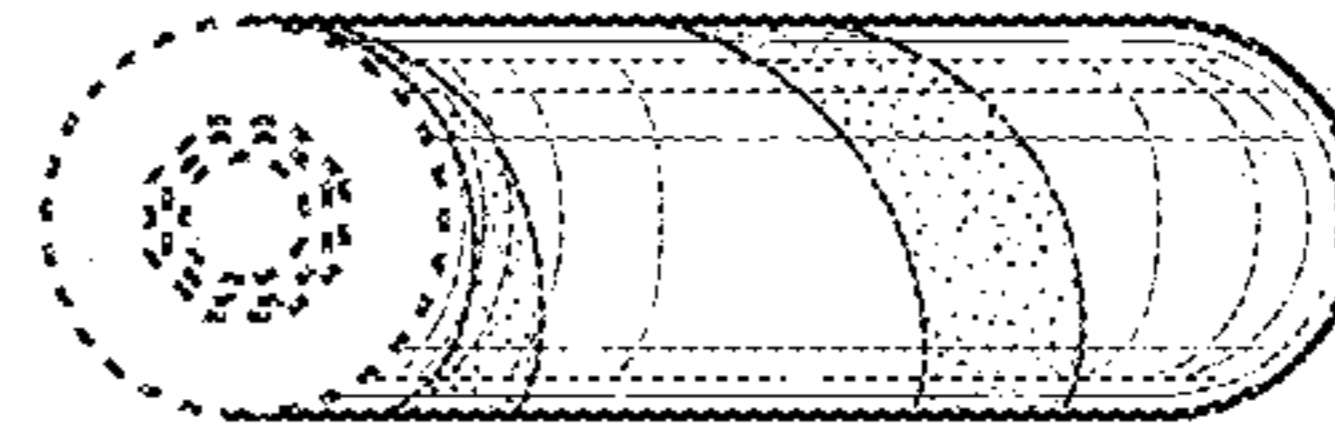


FIG. 6

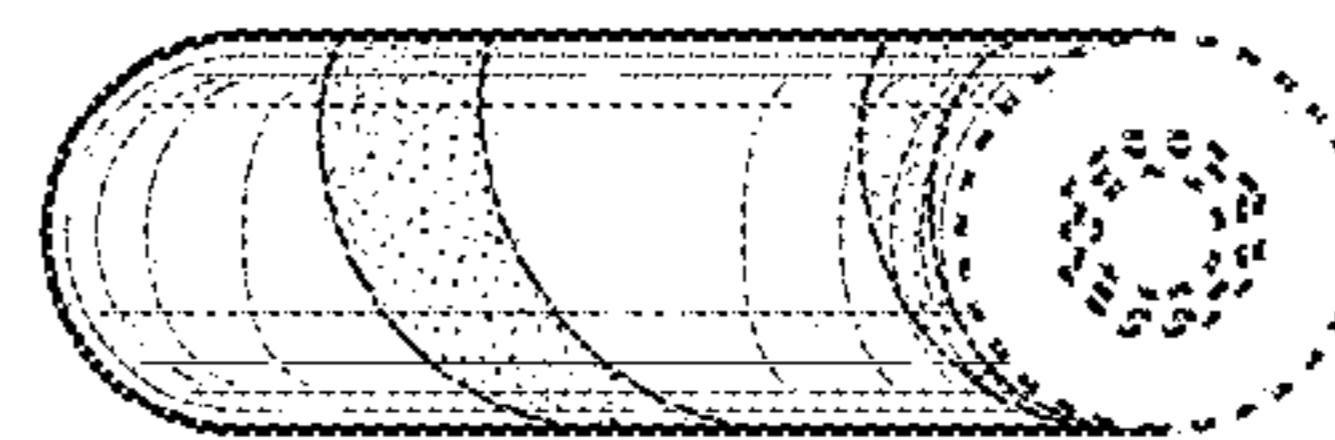


FIG. 5

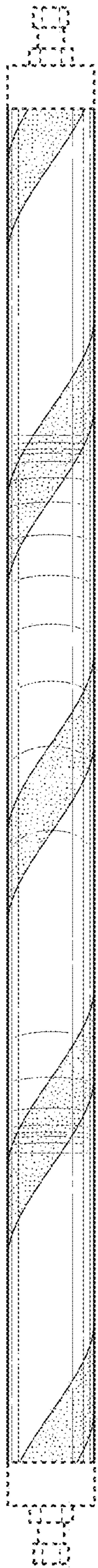


FIG. 7

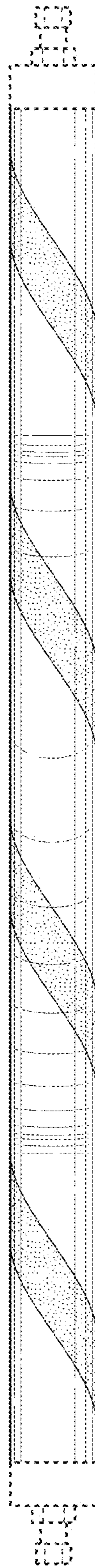


FIG. 8

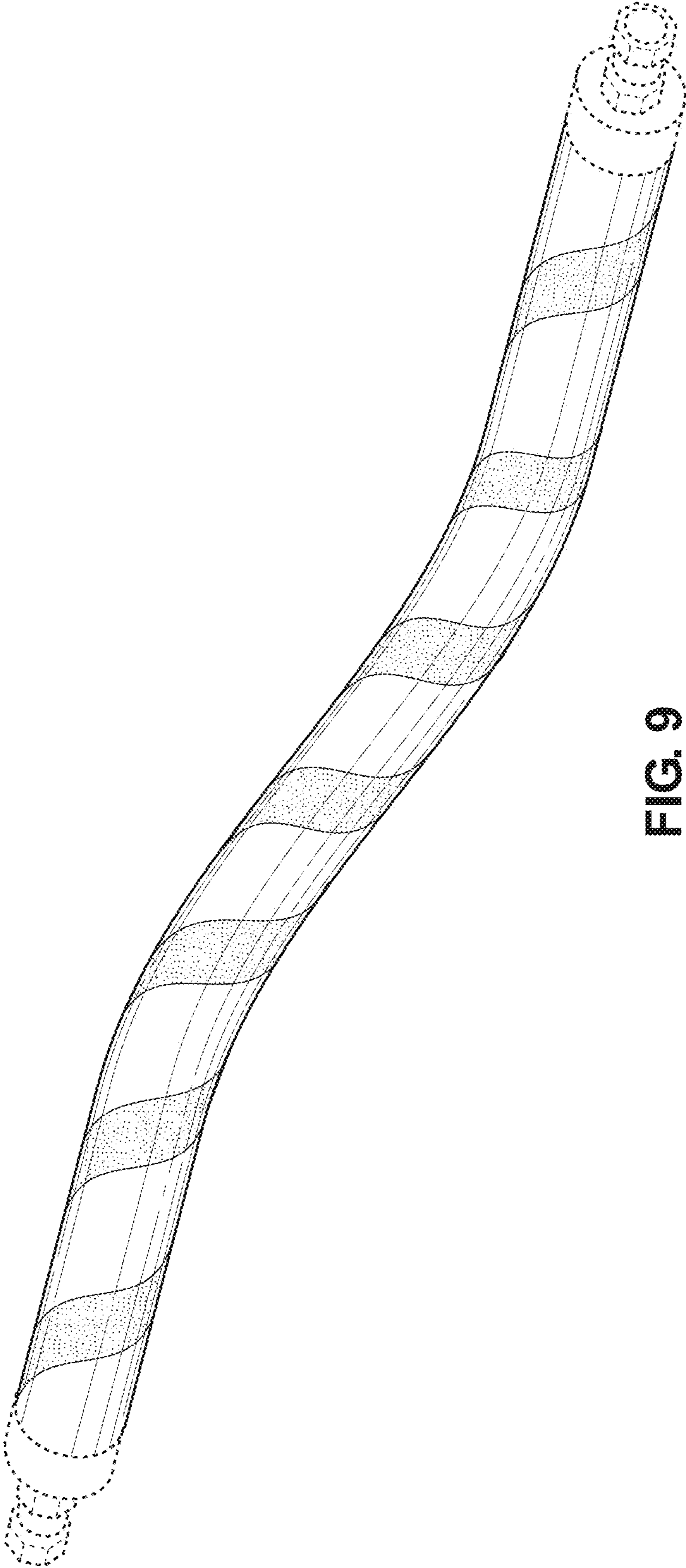


FIG. 9

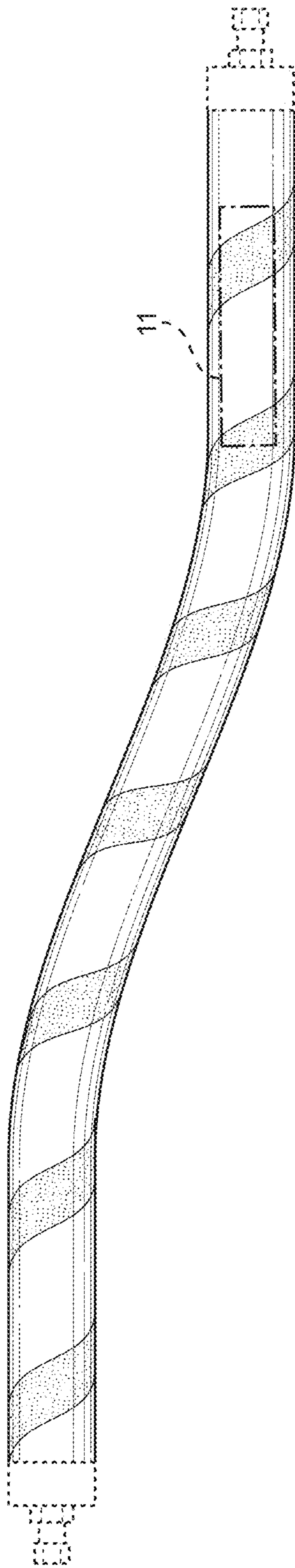


FIG. 10

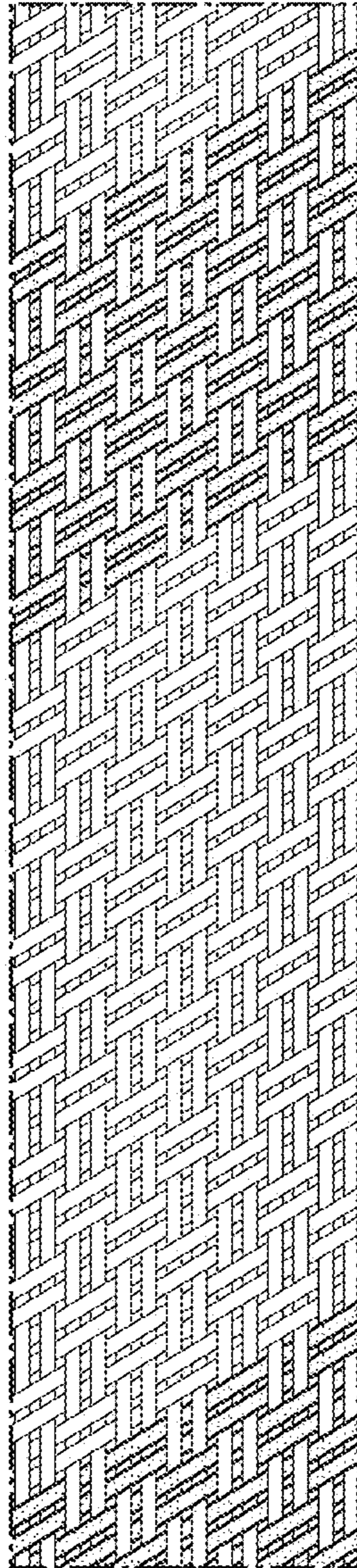


FIG. 11

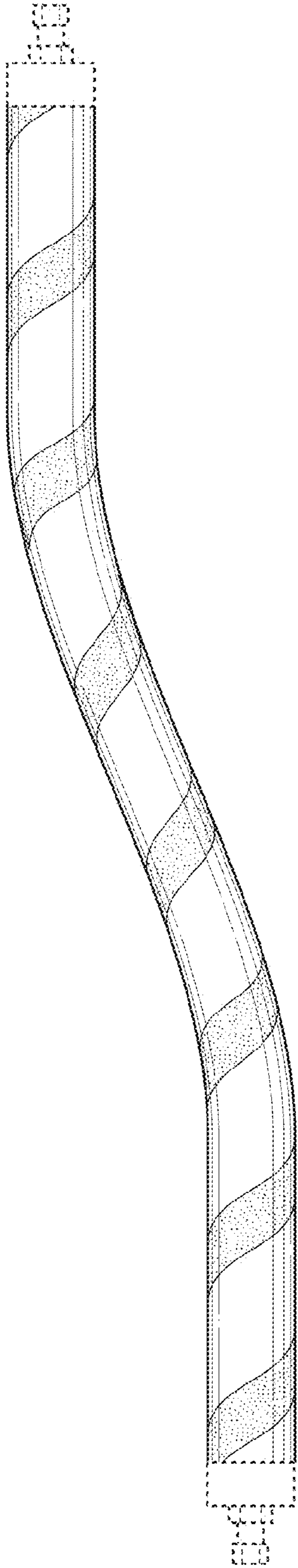


FIG. 12

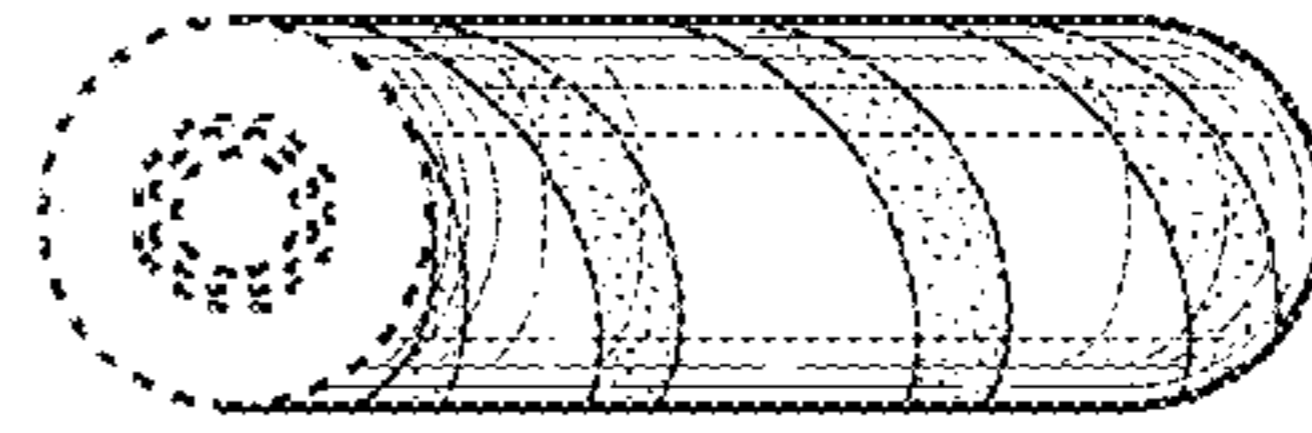


FIG. 14

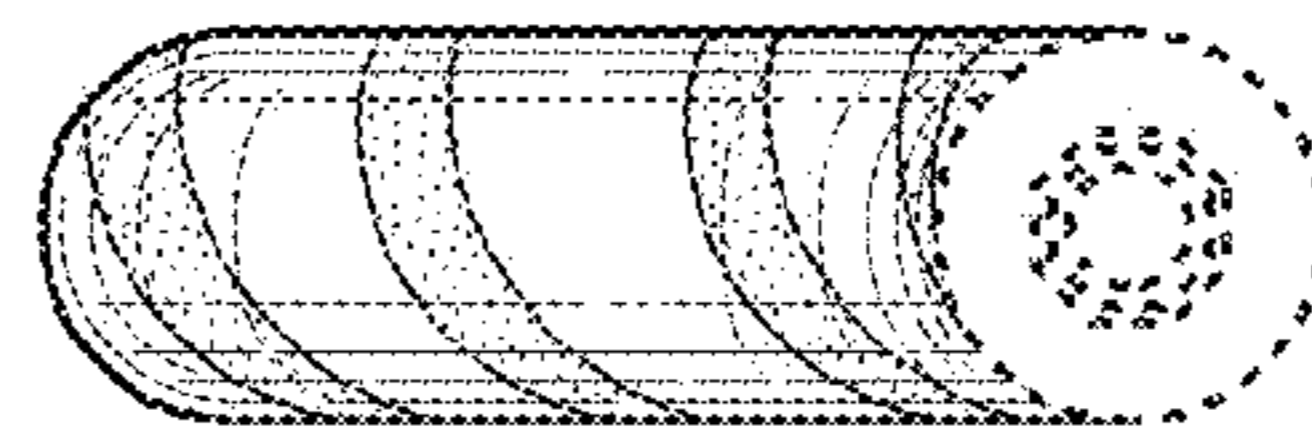


FIG. 13

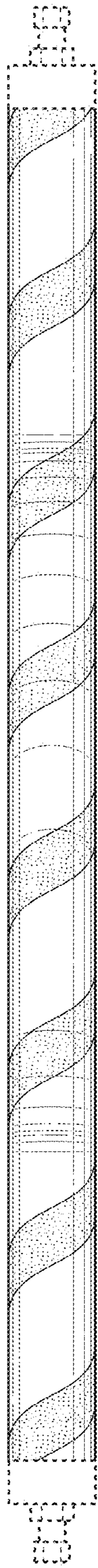


FIG. 15

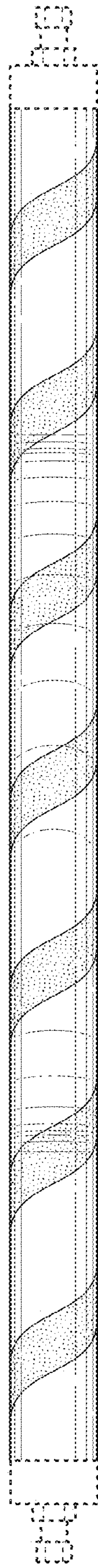


FIG. 16