



US00D905206S

(12) **United States Design Patent**  
**Colacino**

(10) **Patent No.:** **US D905,206 S**

(45) **Date of Patent:** **\*\* Dec. 15, 2020**

(54) **DRAIN PROTECTOR**

(71) Applicant: **Jarrold Colacino**, East Rockaway, NY  
(US)

(72) Inventor: **Jarrold Colacino**, East Rockaway, NY  
(US)

(\*\*) Term: **15 Years**

(21) Appl. No.: **29/661,943**

(22) Filed: **Aug. 31, 2018**

(51) **LOC (12) Cl.** ..... **23-01**

(52) **U.S. Cl.**  
USPC ..... **D23/261**

(58) **Field of Classification Search**  
USPC ..... D23/207-209, 230, 233-234, 236-237,  
D23/249, 259-261, 269, 303, 307, 310;  
137/533.15, 533.1, 15.23; 251/314, 315,  
251/357, 359-362; D6/852-583, 585,  
D6/592, 594, 582; D32/55, 57;  
4/290-295, 286-289, 255.01-255.12, 658,  
4/688-690, 300.3, 222.1, DIG. 5, 251.2;  
52/169.5

CPC ..... A47K 1/14; E04D 2013/0413  
See application file for complete search history.

(56) **References Cited**

**U.S. PATENT DOCUMENTS**

- 2,833,574 A \* 5/1958 Fife ..... G05G 7/00  
403/389
- 6,067,669 A \* 5/2000 Peterson ..... E03C 1/262  
4/287
- D605,733 S \* 12/2009 Cavaliere ..... D23/261
- 8,214,942 B2 \* 7/2012 Yang ..... E03C 1/23  
4/685
- D783,134 S 4/2017 Carnegie
- D785,767 S 5/2017 Carnegie
- D794,759 S 8/2017 Carnegie et al.
- D814,611 S 4/2018 Carnegie
- D817,463 S \* 5/2018 Curley ..... D23/260

- D827,787 S 9/2018 Carnegie
- D827,788 S 9/2018 Carnegie
- D828,523 S \* 9/2018 Carnegie ..... D23/261
- D840,000 S \* 2/2019 Yoshihara ..... D23/260
- D862,664 S \* 10/2019 Si ..... D23/261
- D873,975 S \* 1/2020 Chen ..... D23/261

(Continued)

**OTHER PUBLICATIONS**

The Stopper Buddy Stop Strainer; YouTube Review Frame 0:03/  
1:03; Published Jun. 12, 2018; Visited Online May 26, 2020;  
<https://www.youtube.com/watch?v=eWoliDoeopl> (Year: 2018).\*

(Continued)

*Primary Examiner* — Amy C Wierenga  
(74) *Attorney, Agent, or Firm* — Schiff Hardin LLP

(57) **CLAIM**

The ornamental design for a drain protector, as shown and described.

**DESCRIPTION**

FIG. 1 is a perspective view taken generally from the top, right-hand side of the drain protector showing my new design;

FIG. 2 is a perspective view taken generally from the bottom, front side thereof;

FIG. 3 is a front elevational view thereof;

FIG. 4 is a back elevational view thereof;

FIG. 5 is a right-side elevational view thereof;

FIG. 6 is a left-side elevational view thereof;

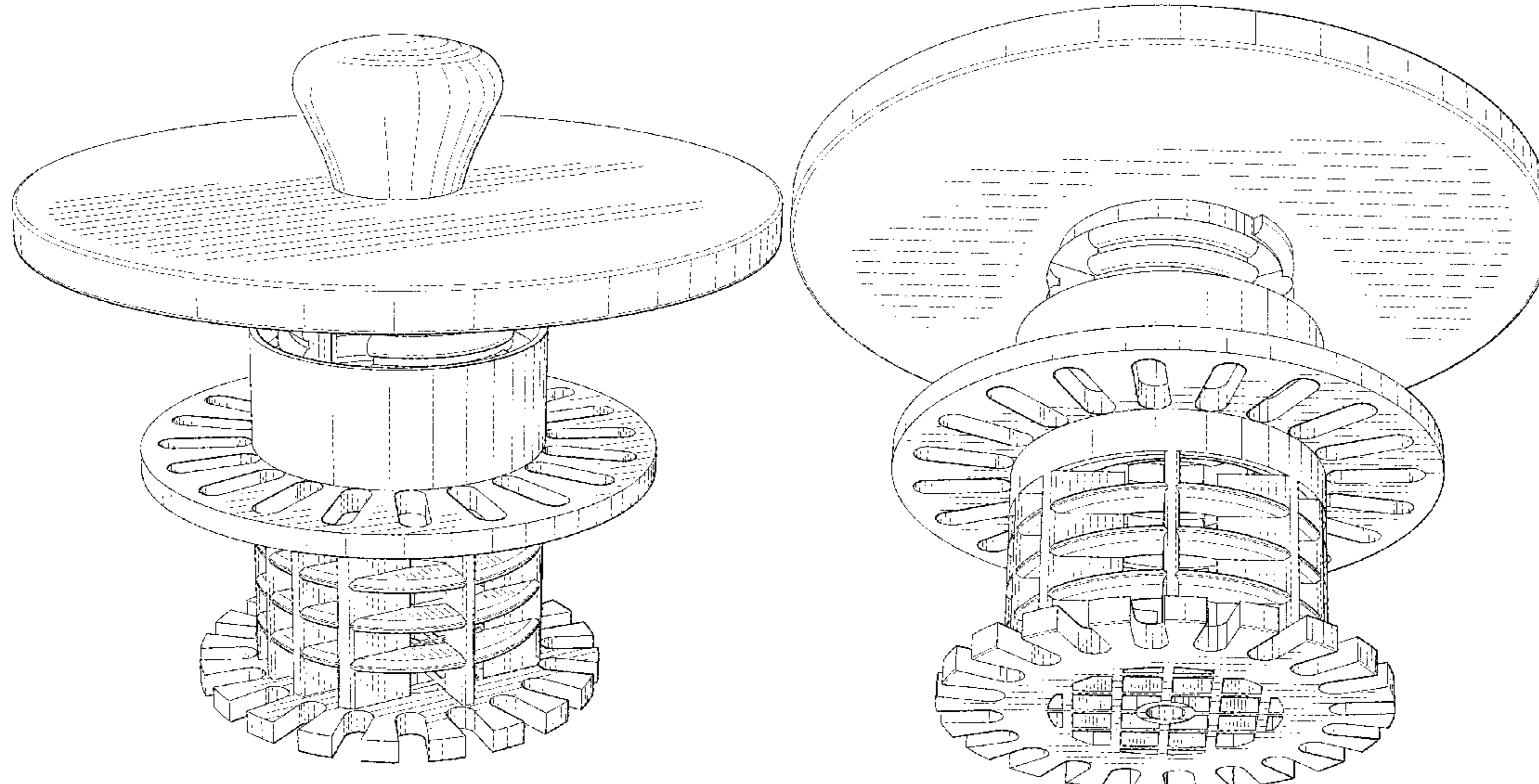
FIG. 7 is a top plan view thereof;

FIG. 8 is a bottom plan view thereof; and,

FIG. 9 is a perspective view of the drain protector as shown in FIG. 1 in an exploded illustration with the drain cover separated from the basket portion.

The broken lines shown in FIG. 3 illustrate environment only that forms no part of the claimed design.

**1 Claim, 9 Drawing Sheets**



(56)

**References Cited**

U.S. PATENT DOCUMENTS

2016/0053472 A1\* 2/2016 Rosko ..... E03C 1/2302  
4/287  
2017/0130435 A1\* 5/2017 Sebolt ..... E03C 1/2302  
2018/0263426 A1\* 9/2018 Ahuja ..... A47K 1/14  
2018/0274218 A1 9/2018 Karnegie et al.  
2019/0218758 A1\* 7/2019 Karnegie ..... E03C 1/264

OTHER PUBLICATIONS

The Stopper Buddy Stop Strainer; A Patented tub Strainer & Bathtub Drain Hair Catcher, Hair & Lint Trap for Clogged Drains, Double Hair Catcher Drain Protection, Easy to Clean & Install; Amazon Earliest Review Dec. 14, 2018; Visited Online May 26, 2020; <https://www.amazon.com/dp/B07HBFYTQF> (Year: 2018).\*

\* cited by examiner

FIG. 1

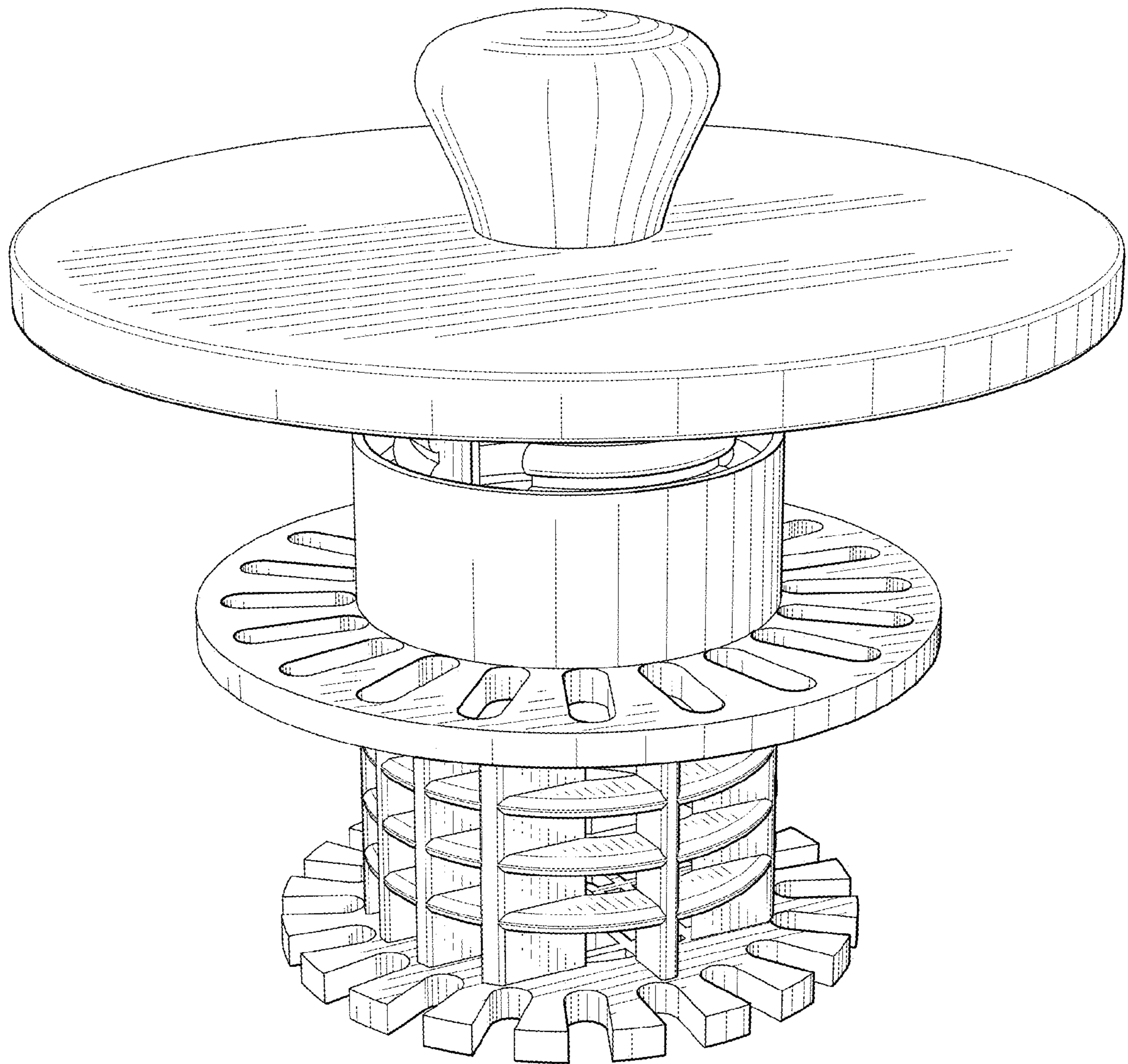


FIG. 2

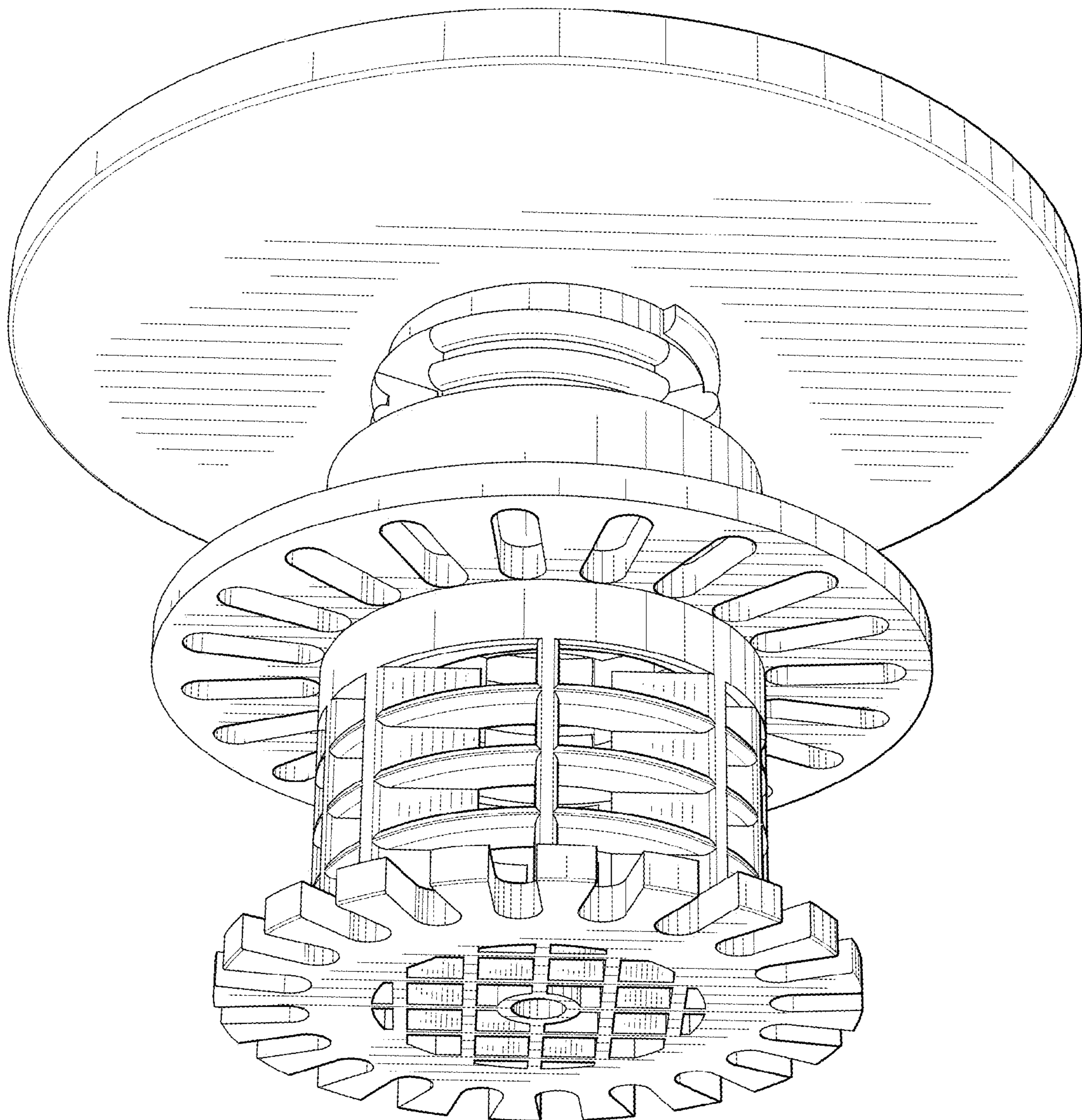


FIG. 3

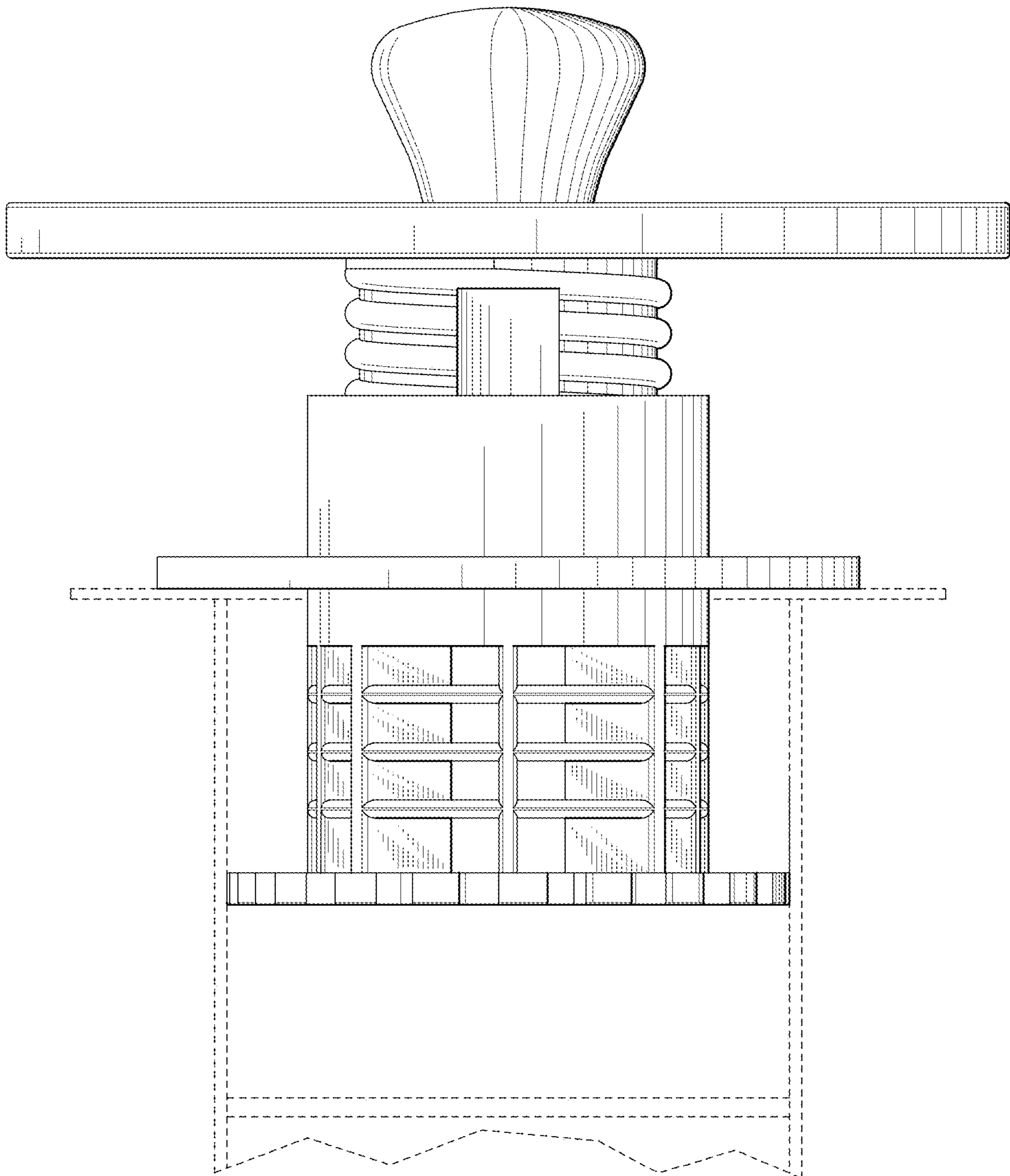


FIG. 4

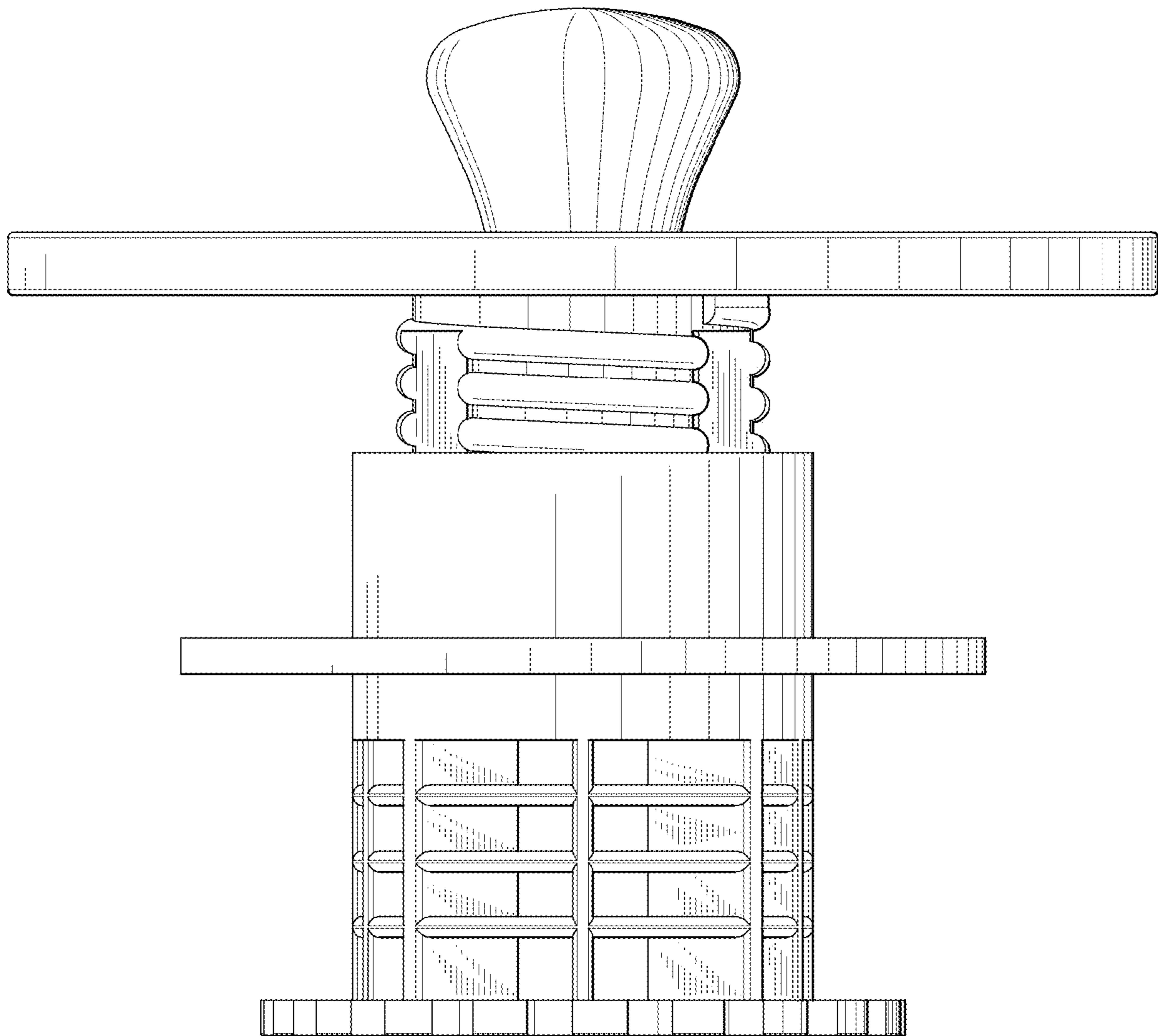


FIG. 5

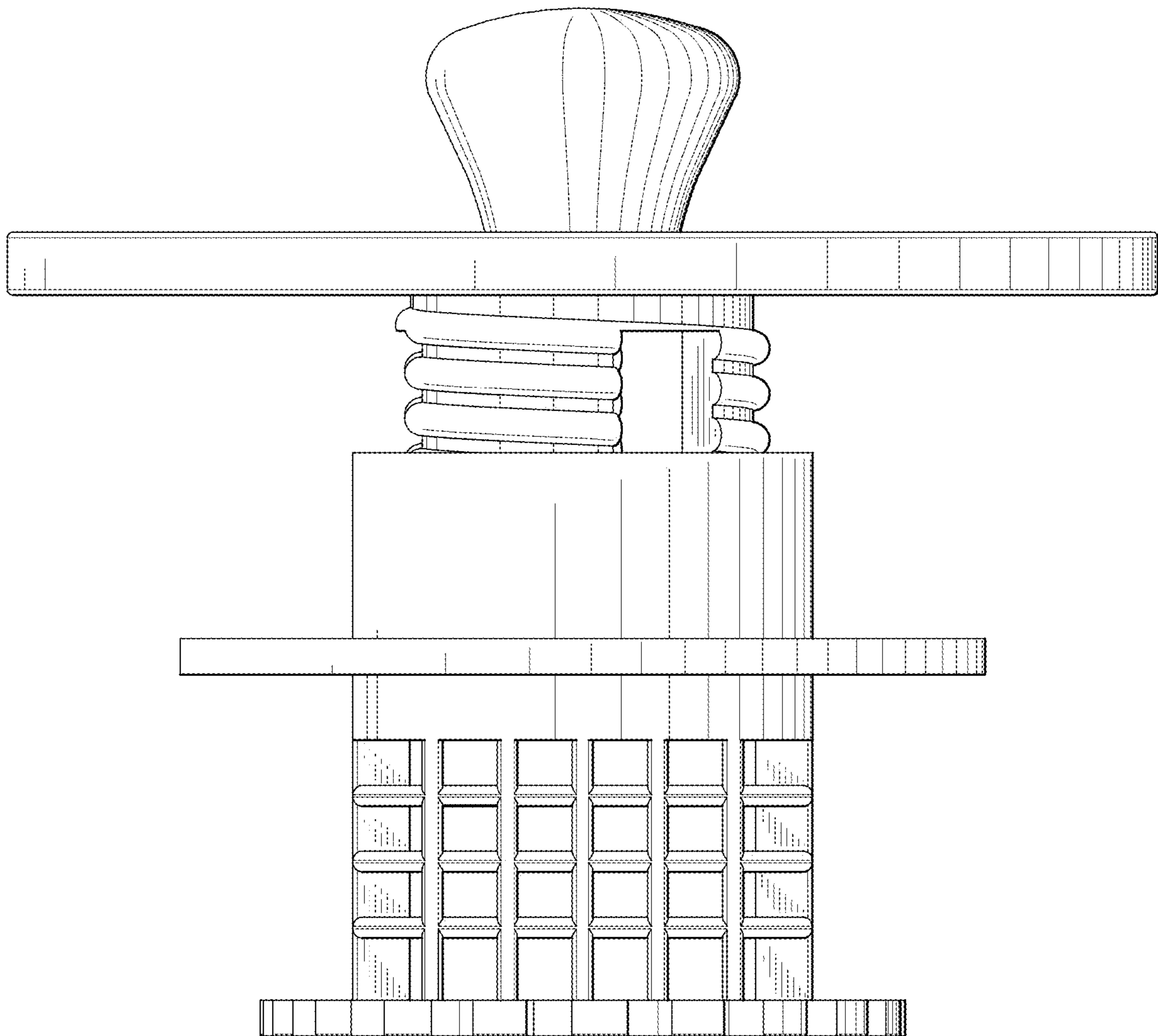


FIG. 6

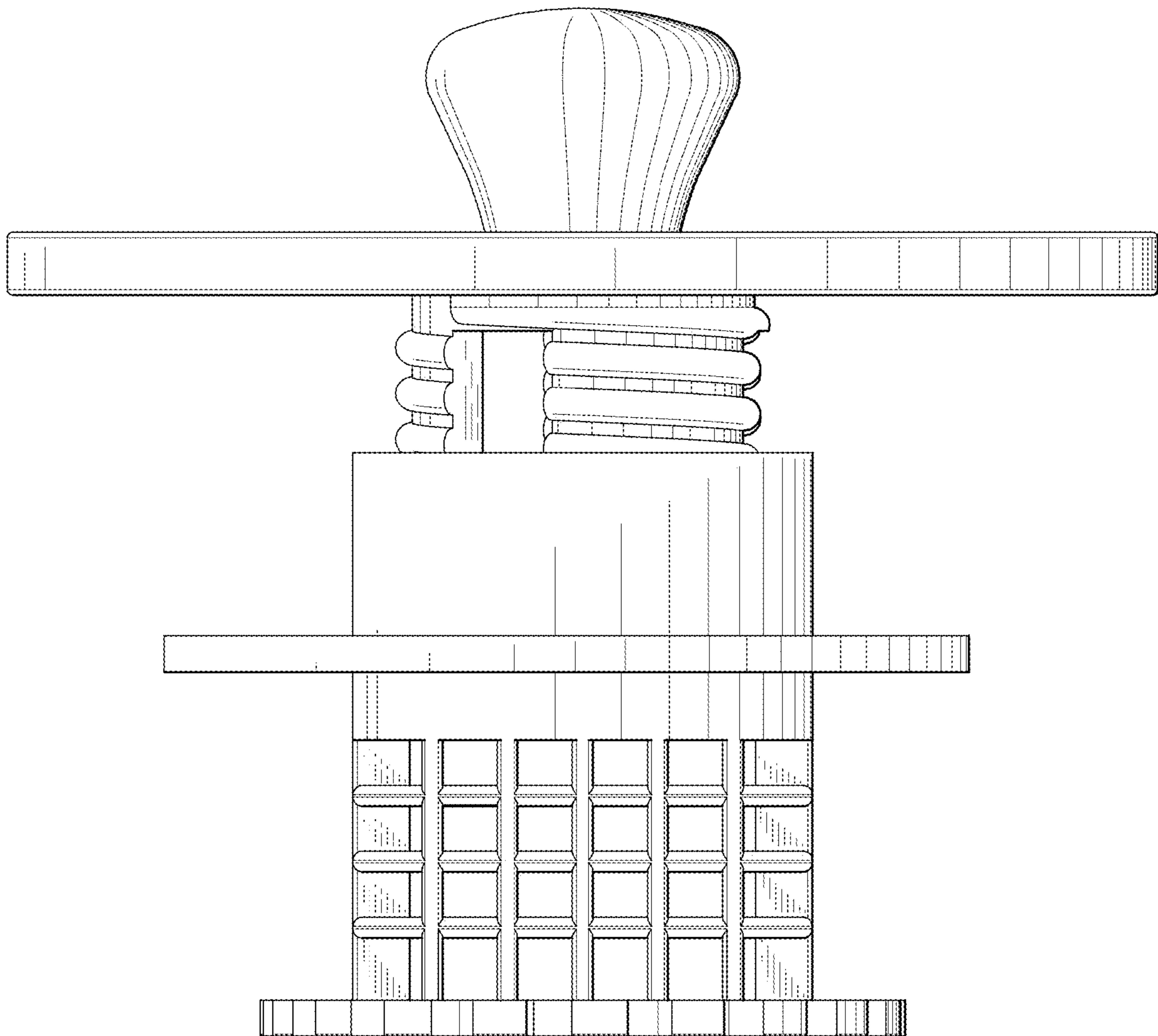
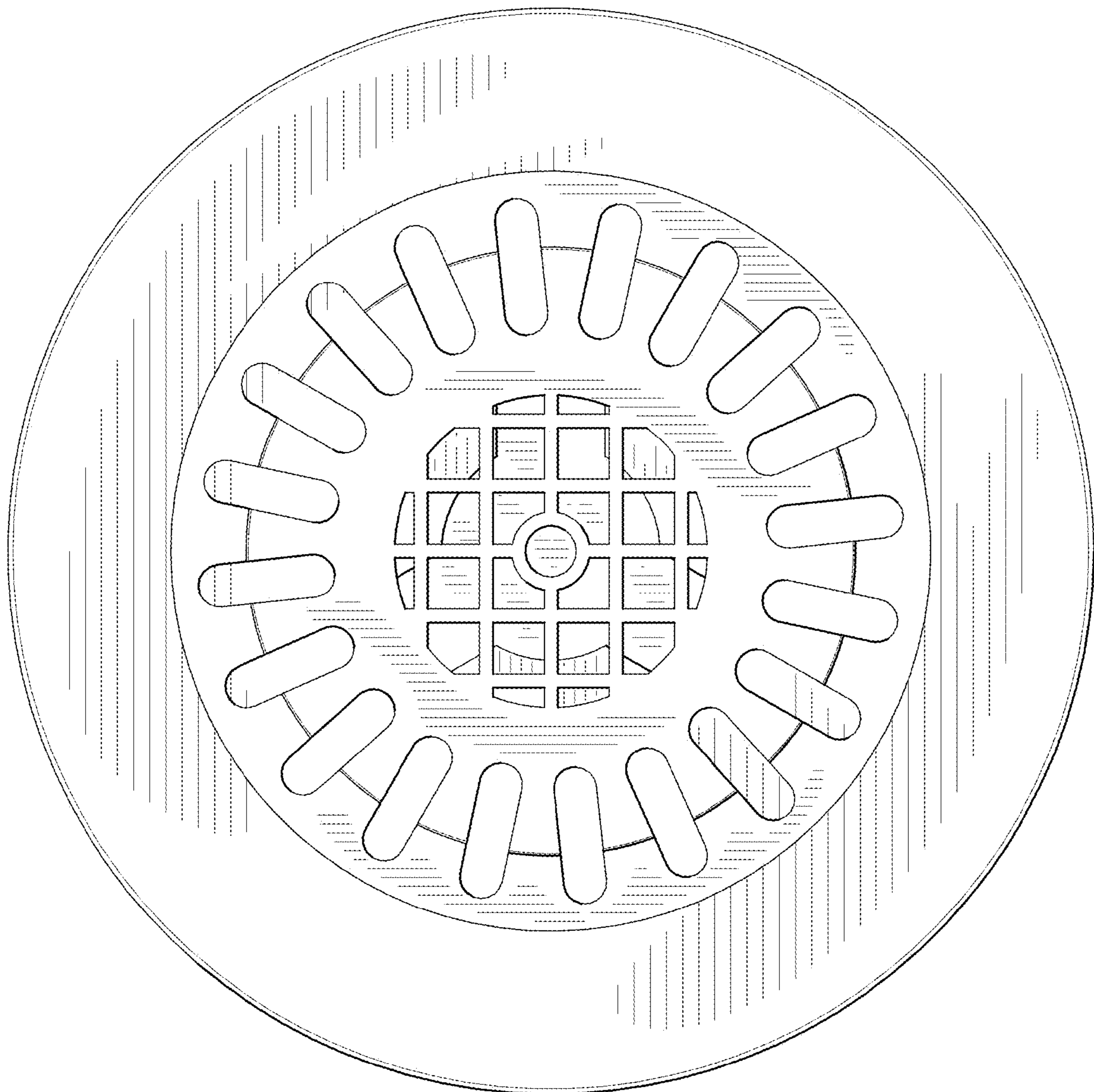




FIG. 7



FIG. 8



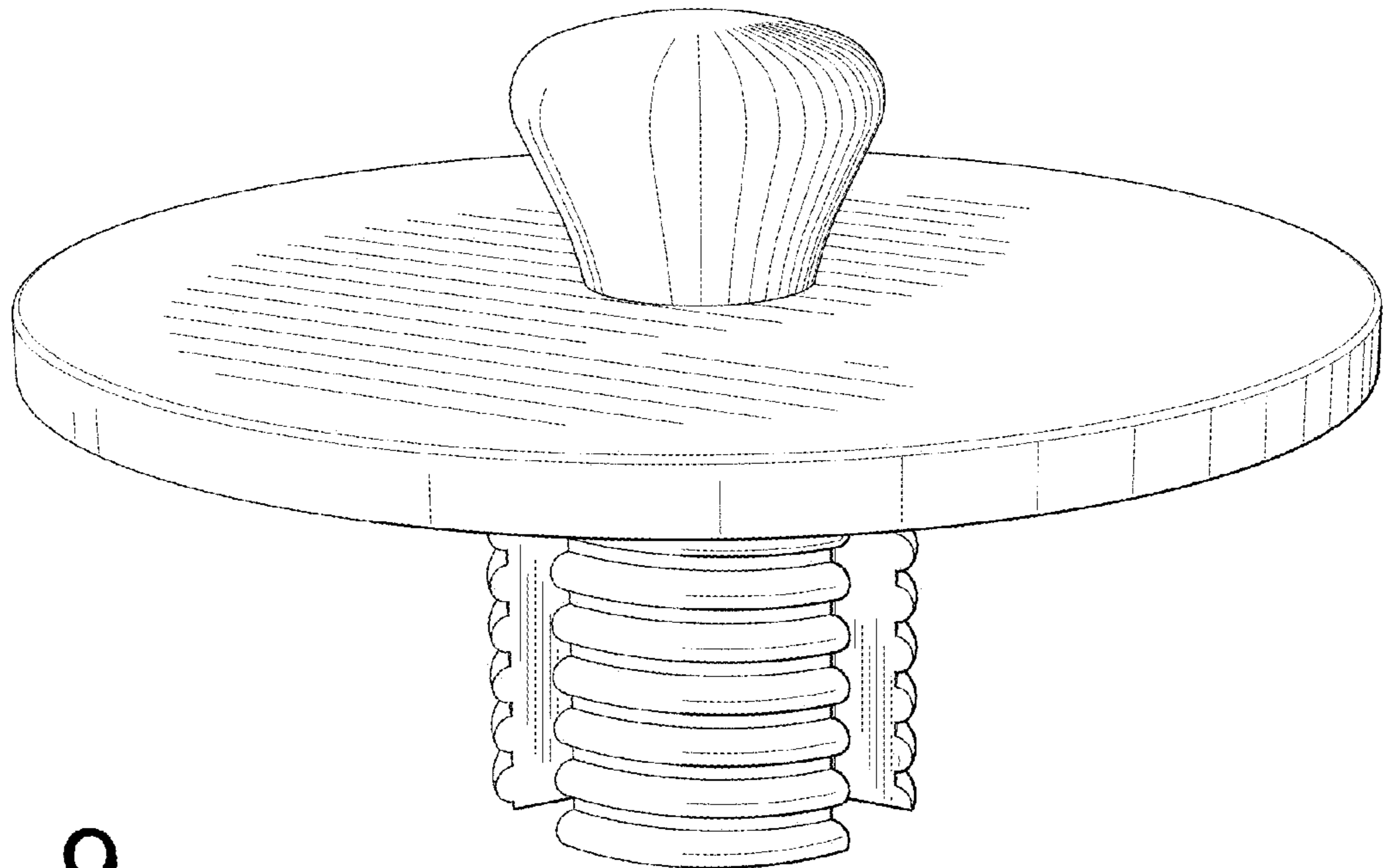


FIG. 9

