



US00D905205S

(12) **United States Design Patent**  
**Zhang**

(10) **Patent No.:** **US D905,205 S**

(45) **Date of Patent:** **\*\* Dec. 15, 2020**

(54) **FAUCET HANDLE**

(71) Applicant: **Xinrui Zhang**, Kaiping (CN)

(72) Inventor: **Xinrui Zhang**, Kaiping (CN)

(\*\*) Term: **15 Years**

(21) Appl. No.: **29/748,302**

(22) Filed: **Aug. 28, 2020**

(51) **LOC (12) Cl.** ..... **23-01**

(52) **U.S. Cl.**  
USPC ..... **D23/252**

(58) **Field of Classification Search**  
USPC ..... D23/238-241, 250, 252, 254;  
D8/307-308

CPC ..... Y10T 137/9464; Y10T 137/6014; Y10T  
137/6017

See application file for complete search history.

(56) **References Cited**

**U.S. PATENT DOCUMENTS**

- D267,111 S \* 11/1982 Arnolds ..... D23/242
- D298,275 S \* 10/1988 Hill ..... D23/252
- D598,984 S 8/2009 Corbett
- D599,442 S 9/2009 Fakonas
- D666,699 S 9/2012 Liao

- D718,839 S 12/2014 Garland
- D723,663 S \* 3/2015 Downey ..... D23/238
- D729,350 S 5/2015 Bahler
- D763,412 S 8/2016 Garland
- D764,639 S 8/2016 Garland
- D767,730 S \* 9/2016 Eads ..... D23/252

\* cited by examiner

*Primary Examiner* — Robert A Delehanty

(74) *Attorney, Agent, or Firm* — KA Filing LLC; Cynthia W. Flanigan

(57) **CLAIM**

I claim the ornamental design for a faucet handle, as shown and described.

**DESCRIPTION**

FIG. 1 is a Perspective view of a faucet handle showing my new design;

FIG. 2 is other perspective view thereof;

FIG. 3 is a Front view thereof;

FIG. 4 is a Back view thereof;

FIG. 5 is a Right-side view thereof;

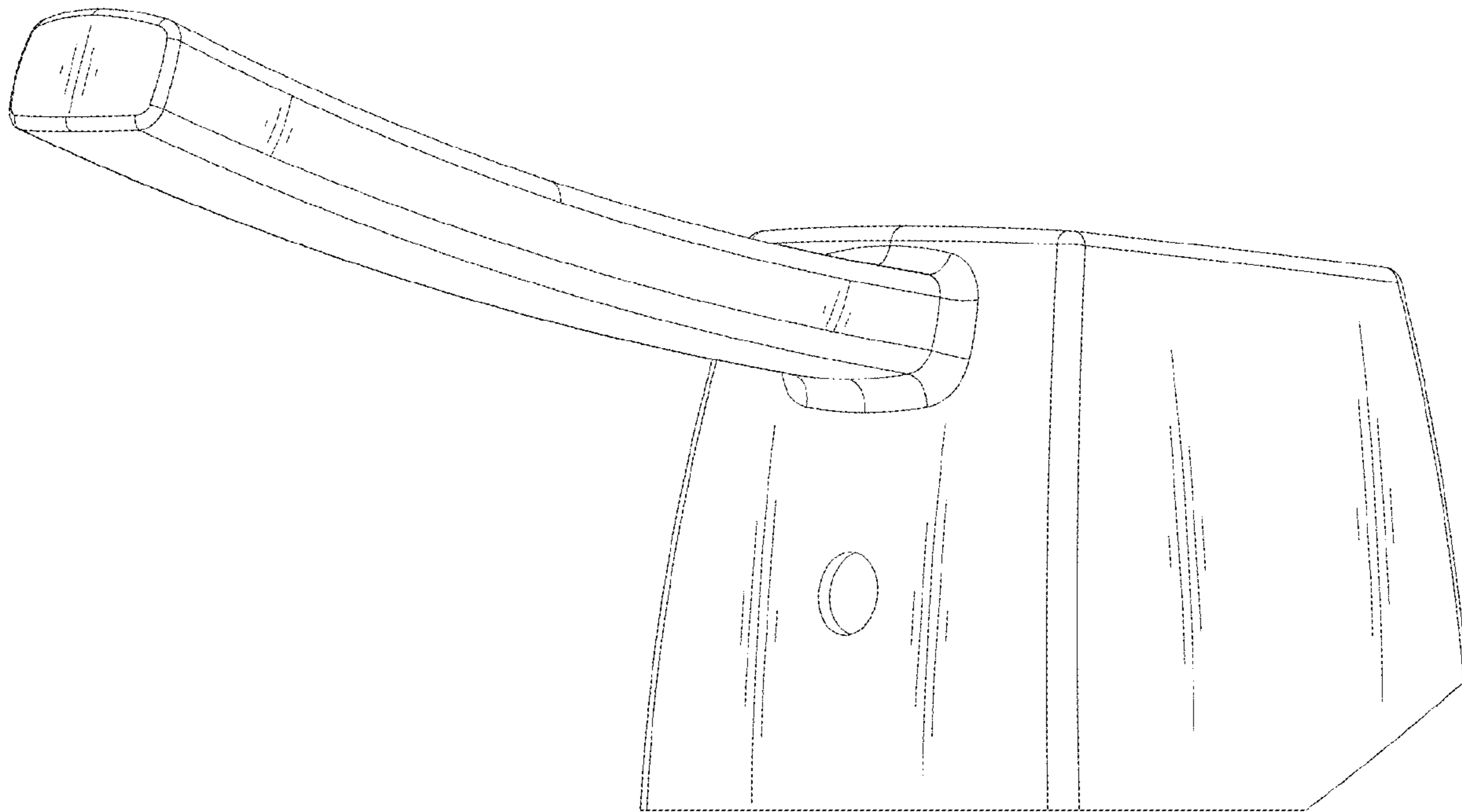
FIG. 6 is a Left-side view thereof;

FIG. 7 is a Top view thereof; and,

FIG. 8 is a Bottom view thereof.

The broken lines are for the purpose of illustrating portions of the article that form no part of the claim.

**1 Claim, 8 Drawing Sheets**



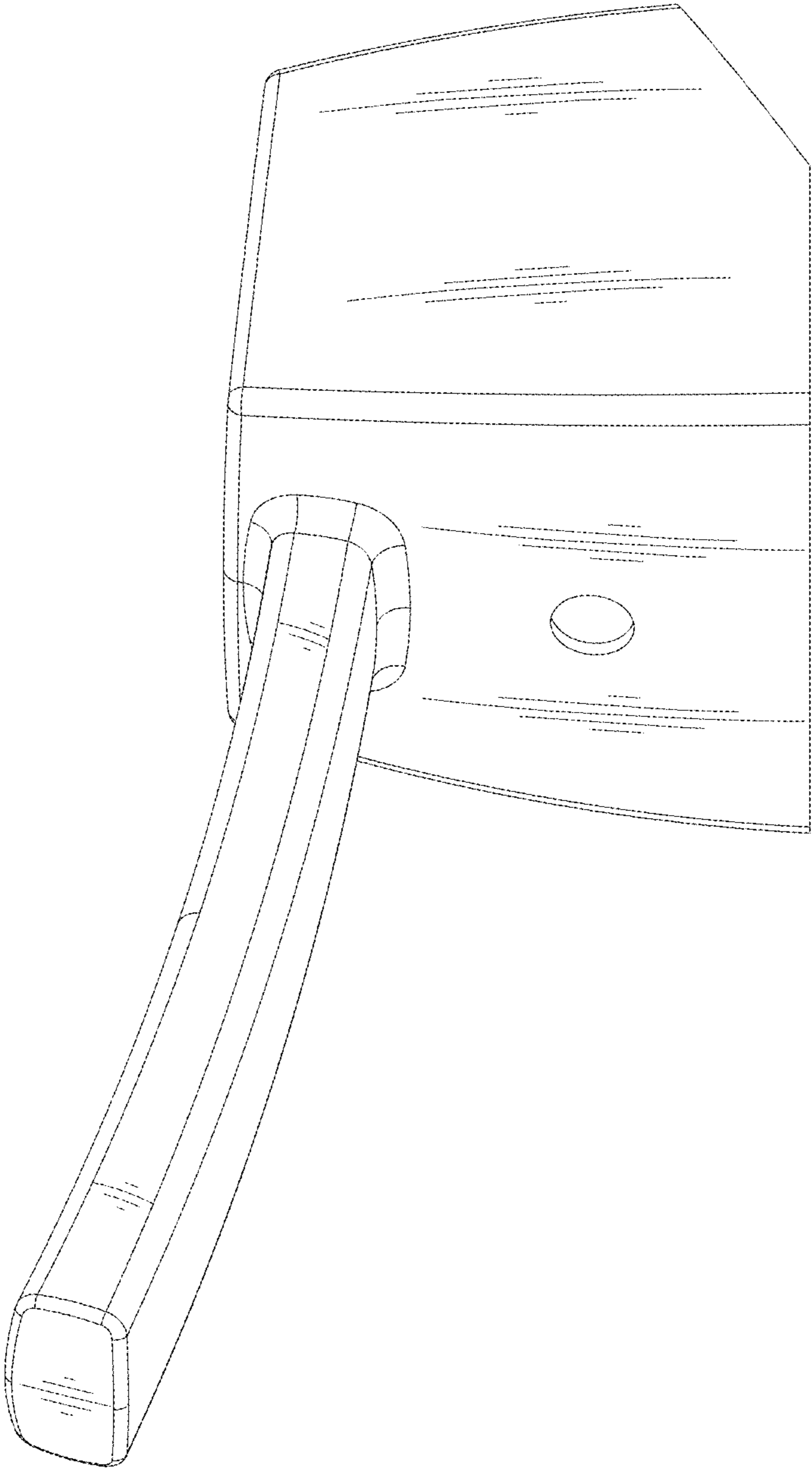


FIG. 1

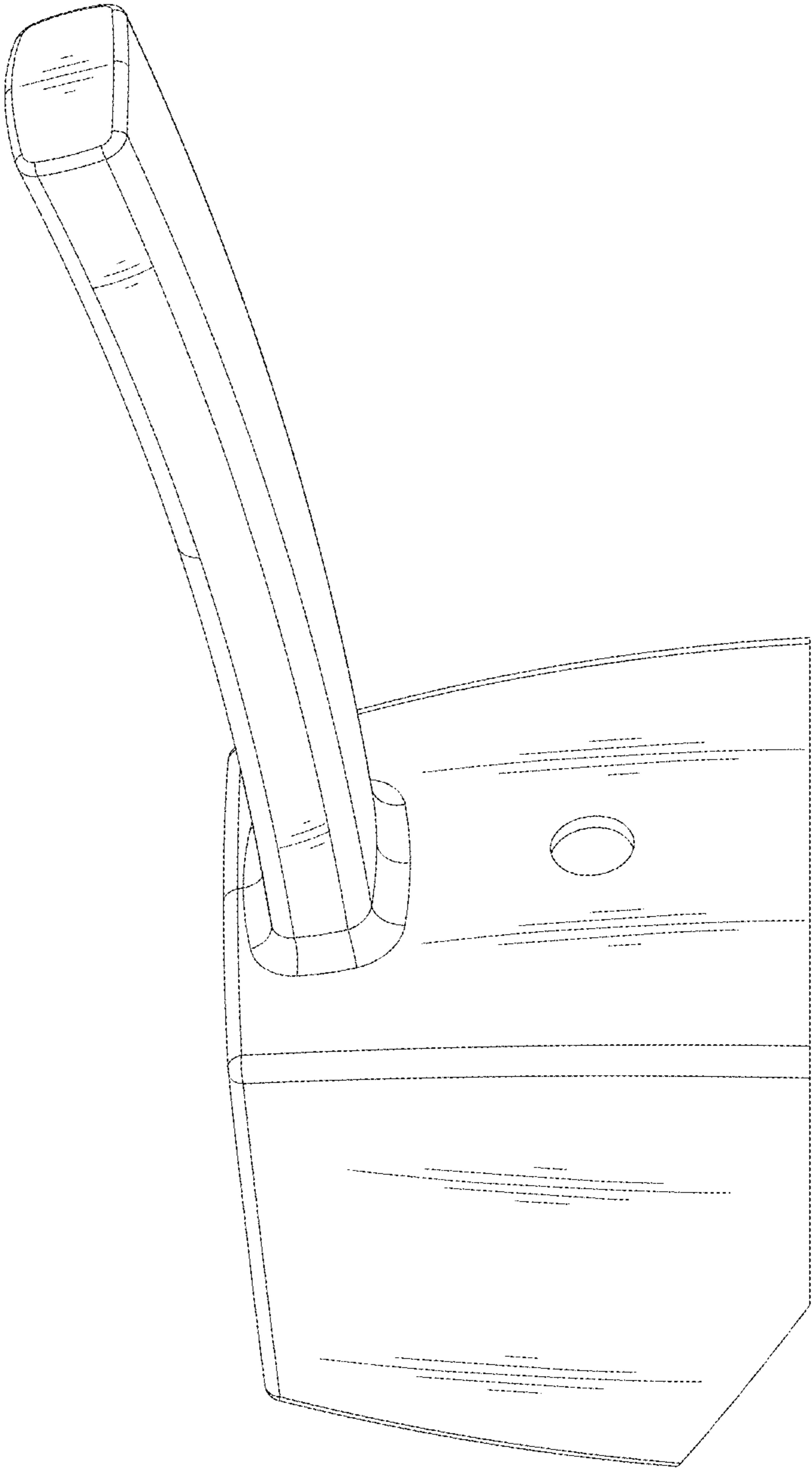


FIG. 2

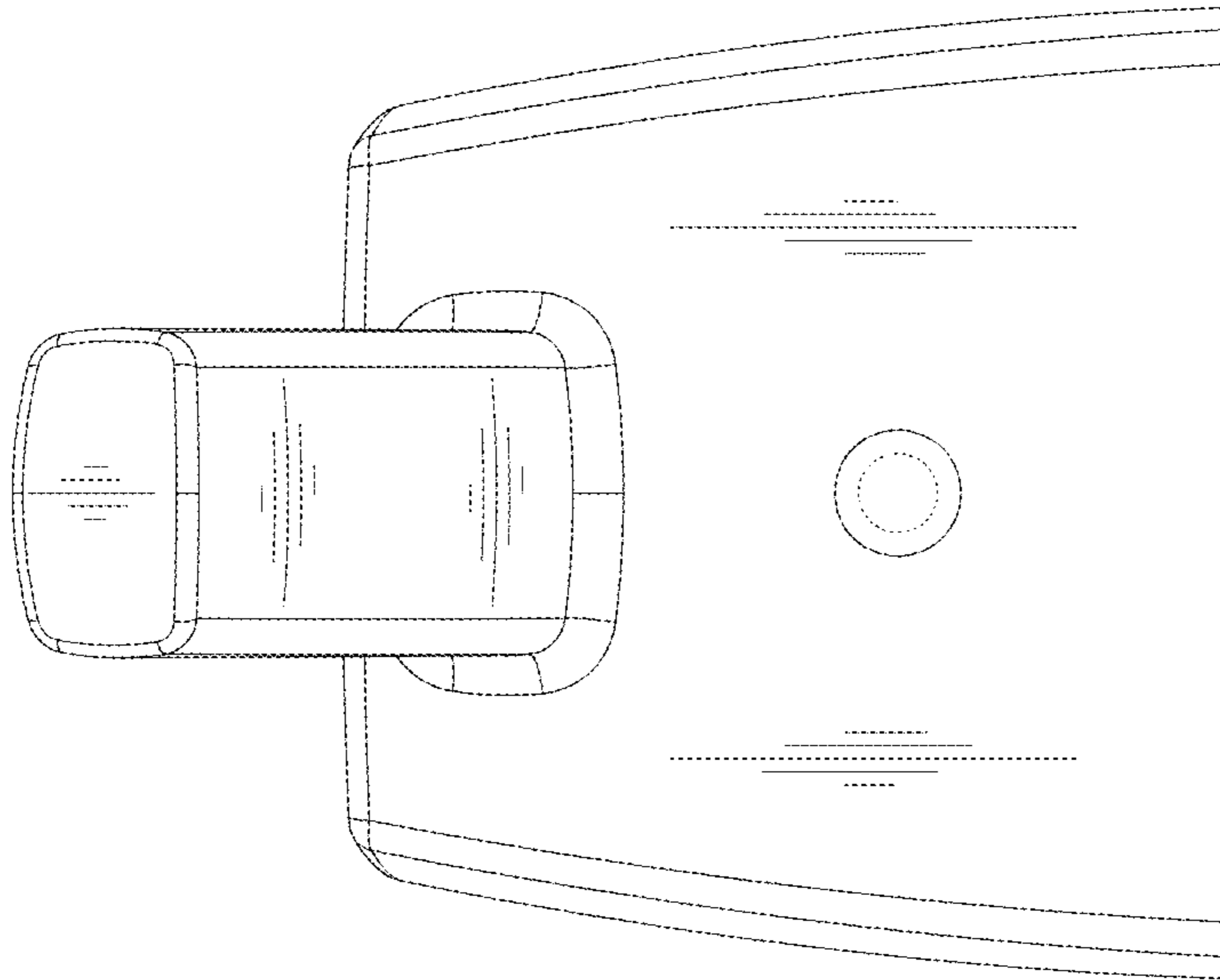


FIG. 3

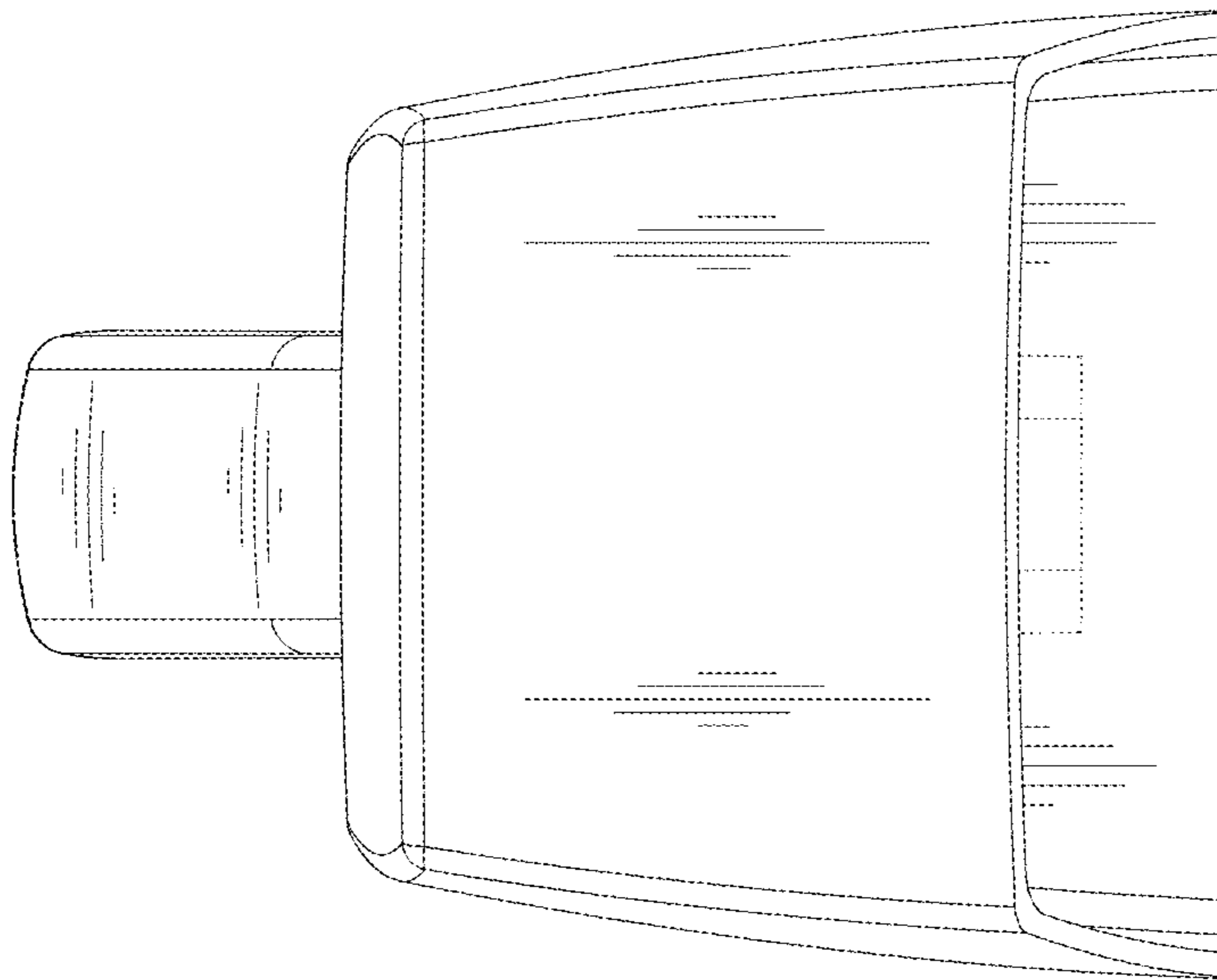


FIG. 4

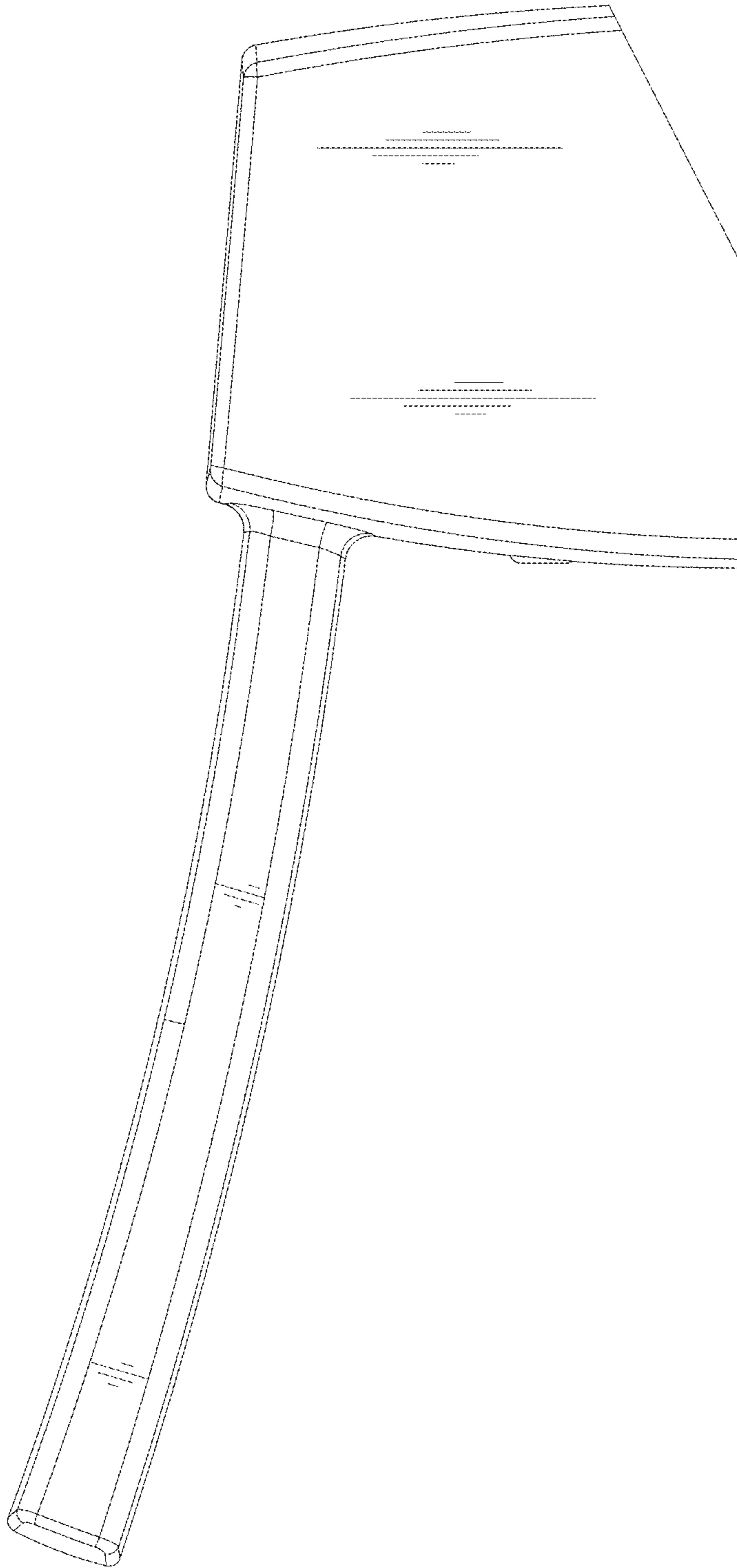


FIG. 5

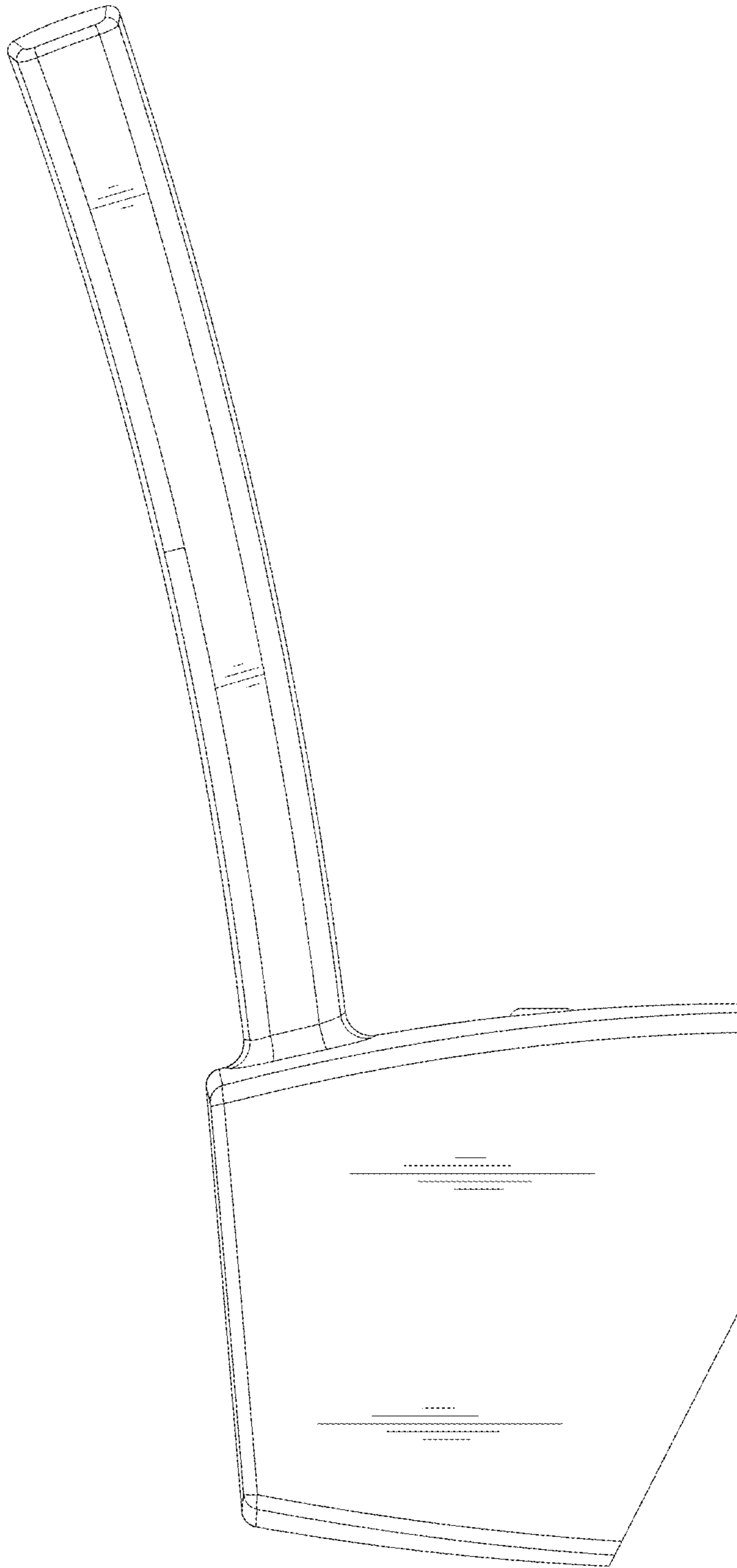


FIG. 6

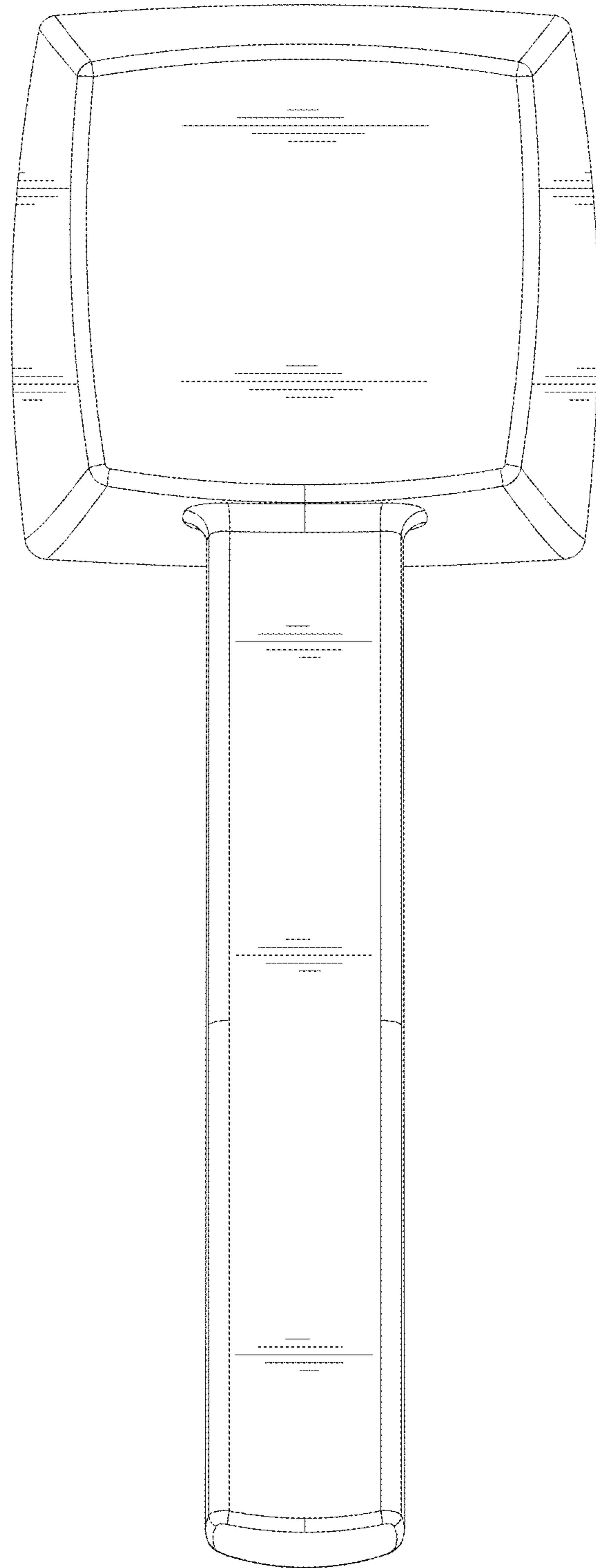


FIG. 7



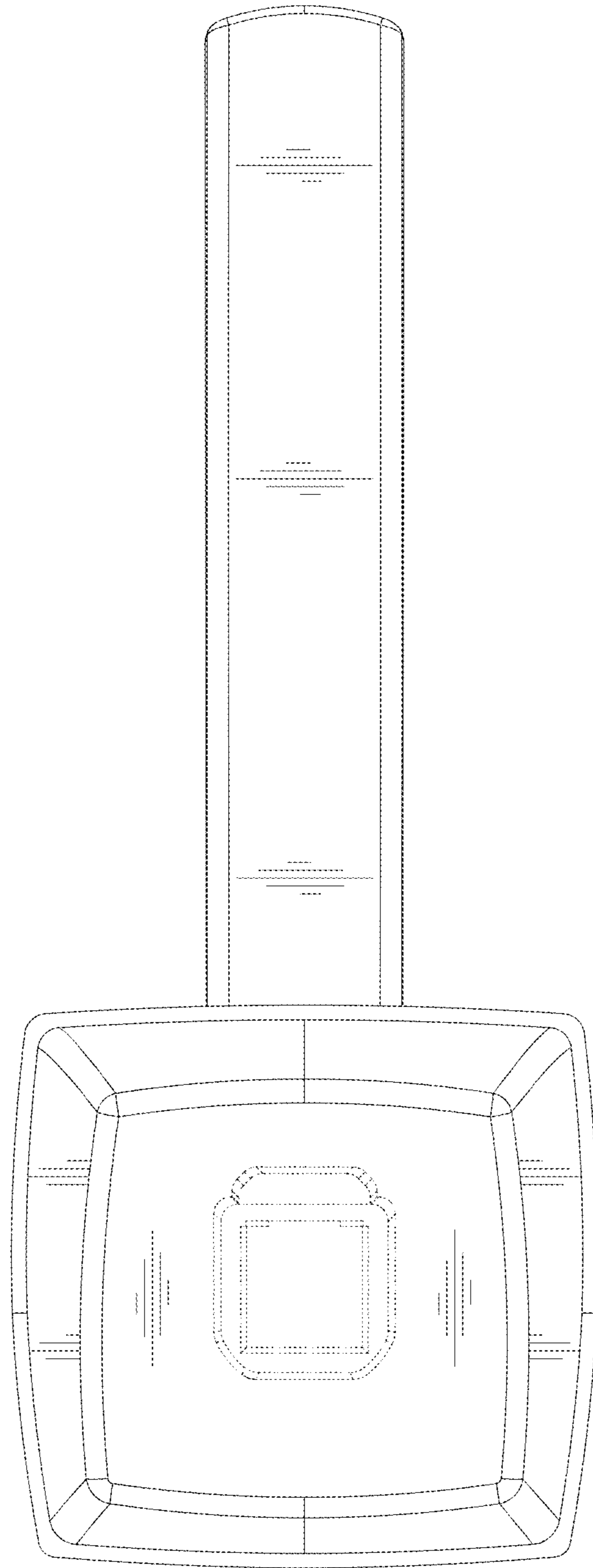


FIG. 8