



US00D905203S

(12) **United States Design Patent**
Zhang

(10) **Patent No.:** **US D905,203 S**

(45) **Date of Patent:** **** Dec. 15, 2020**

(54) **FAUCET**

(71) Applicant: **Xinrui Zhang**, Kaiping (CN)

(72) Inventor: **Xinrui Zhang**, Kaiping (CN)

(**) Term: **15 Years**

(21) Appl. No.: **29/748,288**

(22) Filed: **Aug. 28, 2020**

(51) **LOC (12) Cl.** **23-01**

(52) **U.S. Cl.**
USPC **D23/238**

(58) **Field of Classification Search**
USPC D23/238-241, 250, 252, 254-255, 257,
D23/226; D8/307-308
CPC Y10T 137/9464; Y10T 137/6014; Y10T
137/6017

See application file for complete search history.

(56) **References Cited**

U.S. PATENT DOCUMENTS

D517,652 S	3/2006	Egli et al.	
D646,354 S	10/2011	Gessi	
D685,878 S	7/2013	Fritz	
D723,665 S *	3/2015	Kulig	D23/238
D734,433 S	7/2015	Sieger	
D756,486 S *	5/2016	Schoenherr	D23/238
D828,508 S *	9/2018	Fritz	D23/238
D830,518 S	10/2018	Zeisel et al.	
D861,832 S *	10/2019	Zeng	D23/238
D882,735 S *	4/2020	Seum	D23/238

OTHER PUBLICATIONS

FST044L Pull Down Single Handle Kitchen Faucet <https://www.wayfair.com/home-improvement/pdp/vccucine-pull-down-single-handle-kitchen-faucet-vccc1319.html?piid=> (Year: 2020).*

* cited by examiner

Primary Examiner — Robert A Delehanty

(74) *Attorney, Agent, or Firm* — KA Filing LLC; Cynthia W. Flanigan

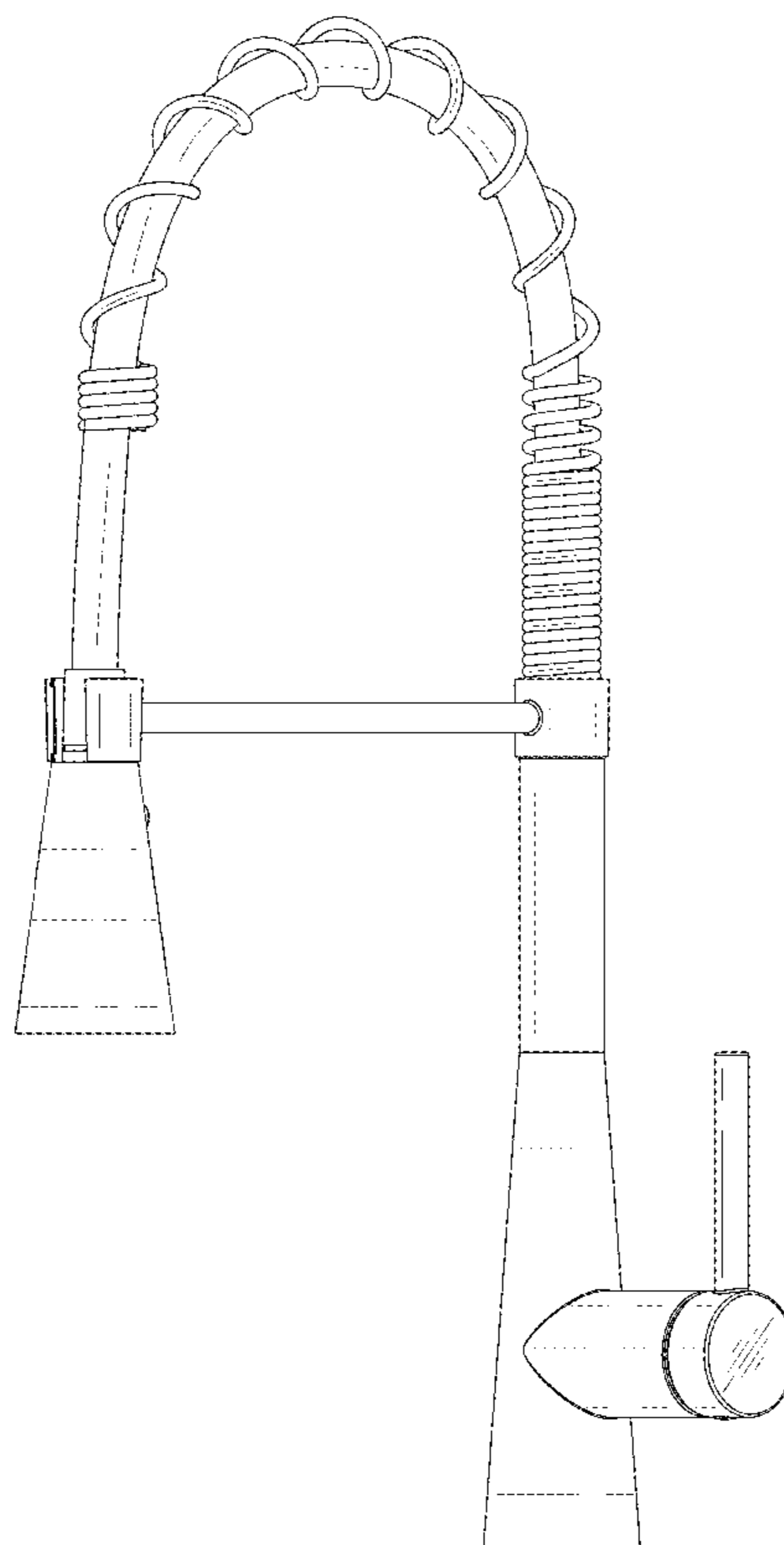
(57) **CLAIM**

I claim the ornamental design for a faucet, as shown and described.

DESCRIPTION

FIG. 1 is a Perspective view of a faucet showing my new design;
FIG. 2 is other perspective view thereof;
FIG. 3 is a Front view thereof;
FIG. 4 is a Back view thereof;
FIG. 5 is a Right-side view thereof;
FIG. 6 is a Left-side view thereof;
FIG. 7 is a Top view thereof; and,
FIG. 8 is a Bottom view thereof.
The broken lines are for the purpose of illustrating portions of the article that form no part of the claim.

1 Claim, 8 Drawing Sheets



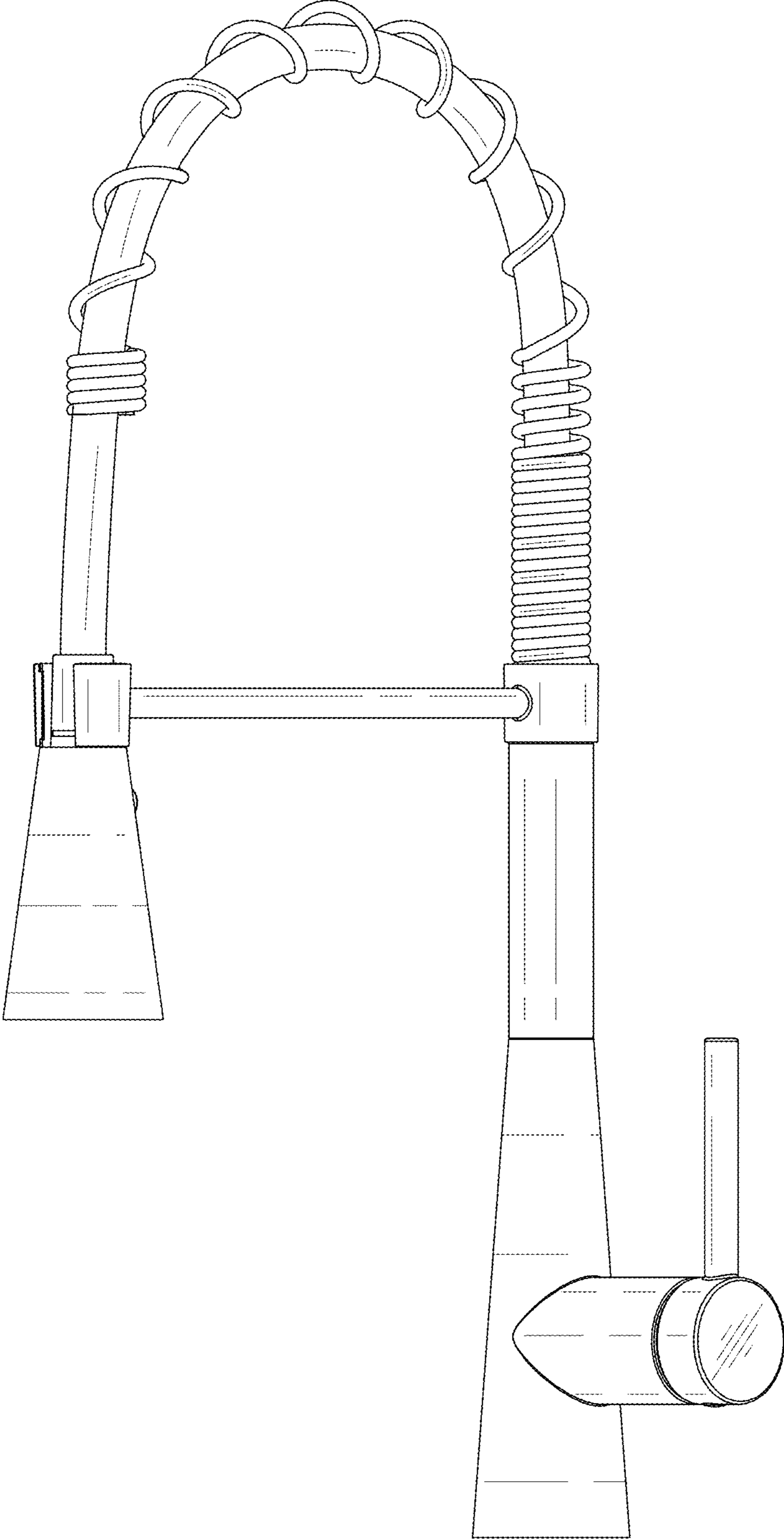


FIG. 1

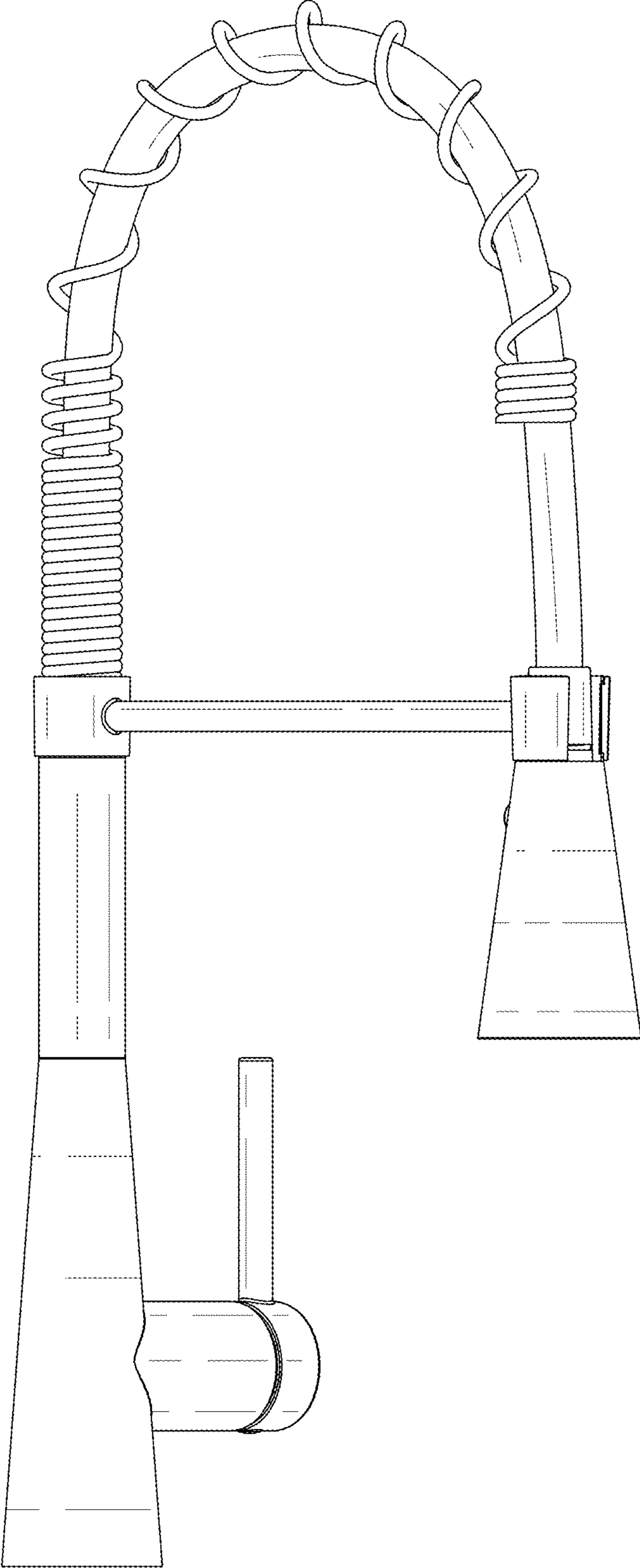


FIG. 2

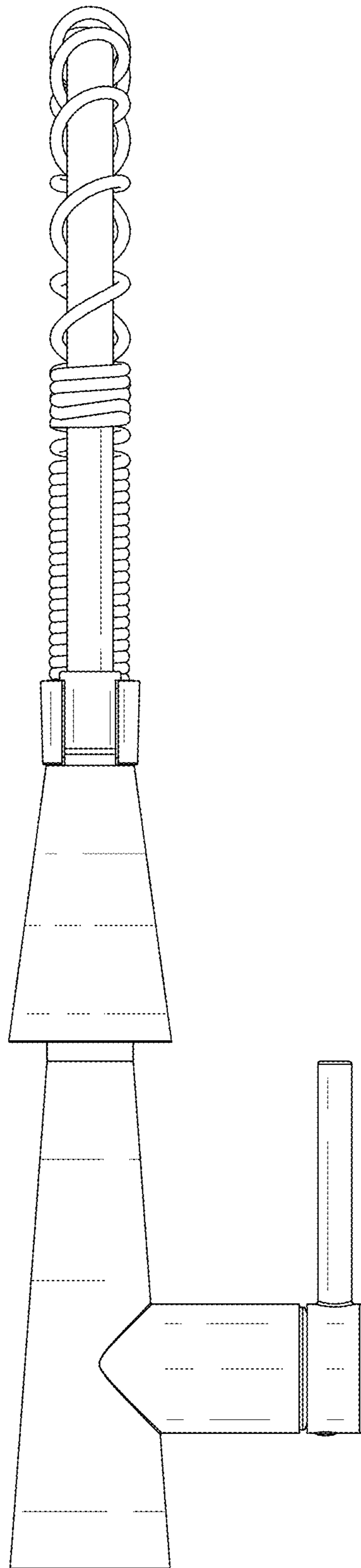


FIG. 3

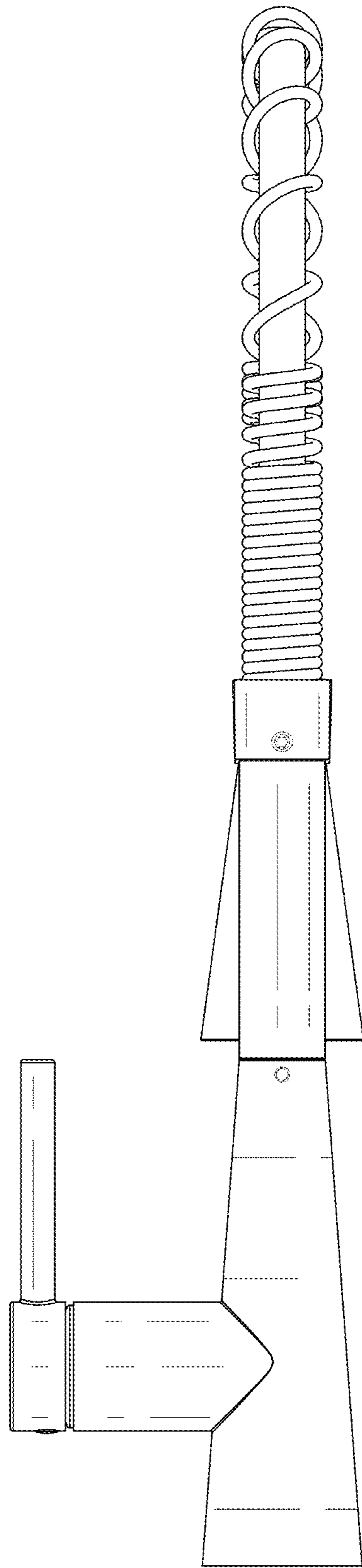


FIG. 4

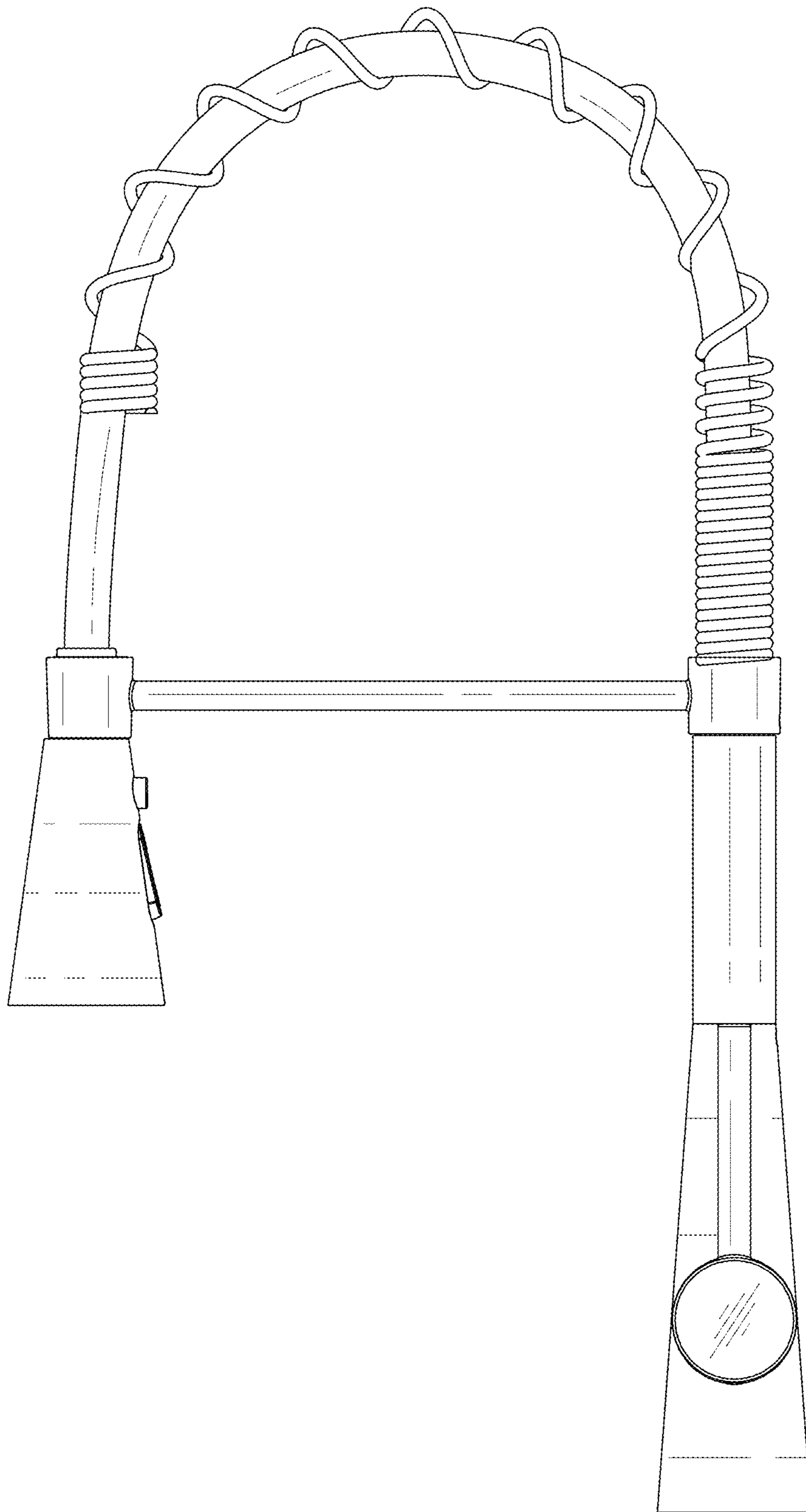


FIG. 5

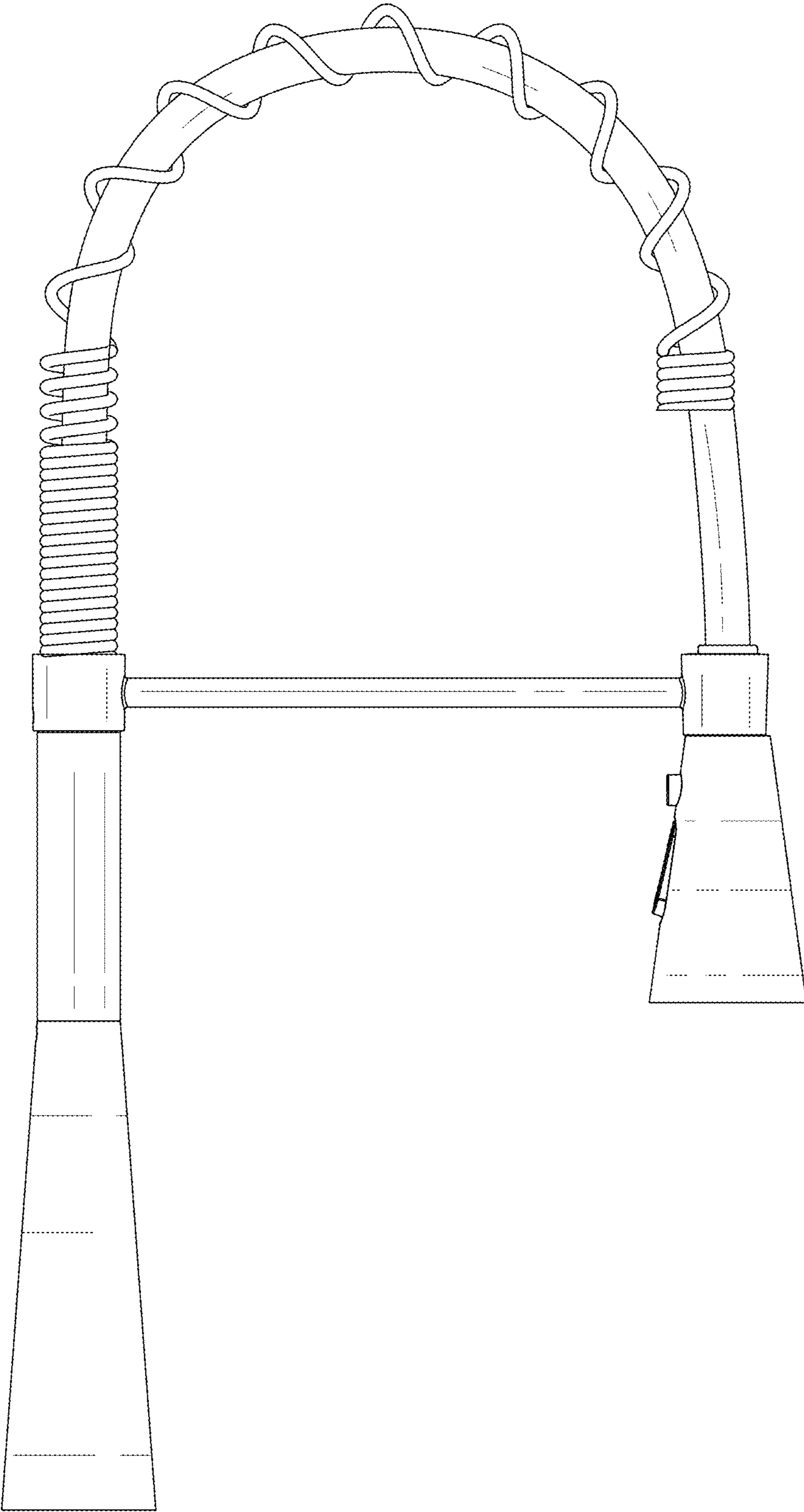


FIG. 6

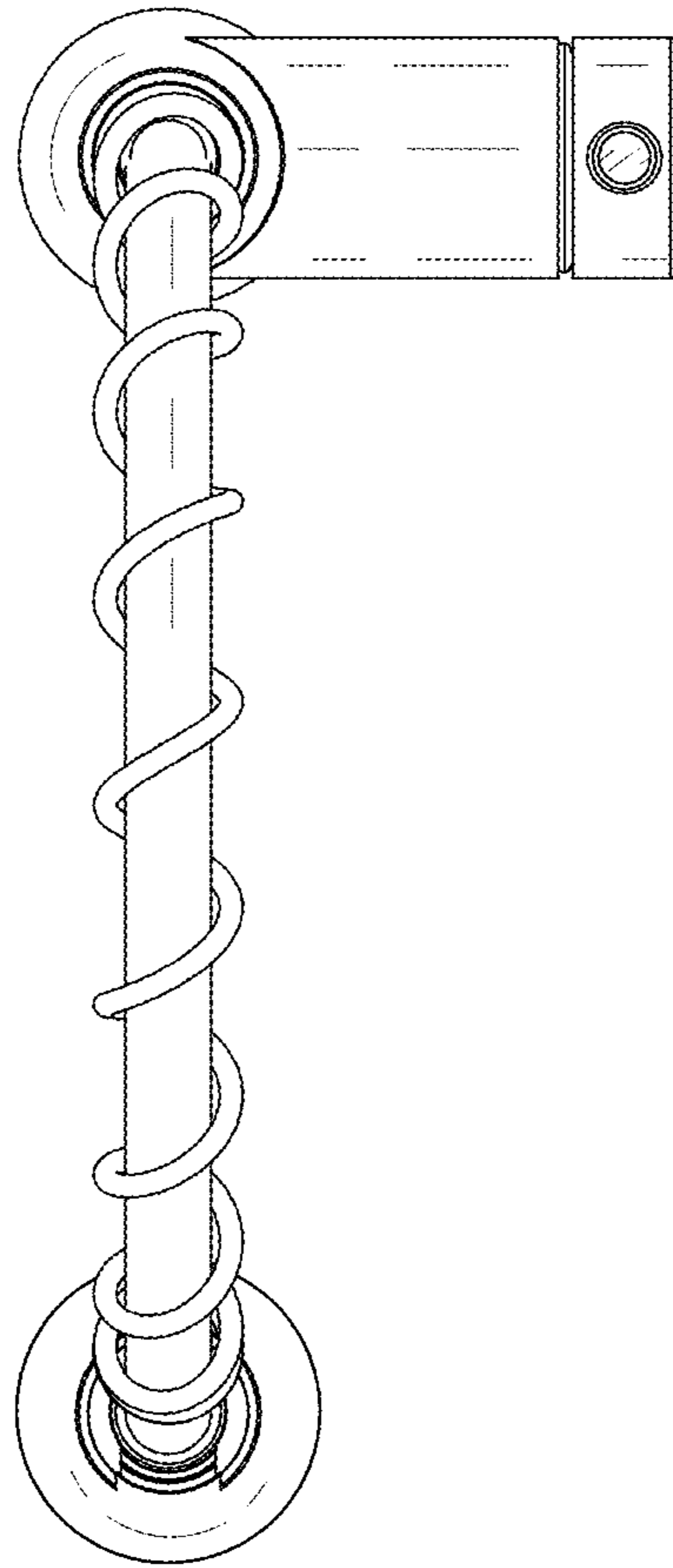


FIG. 7

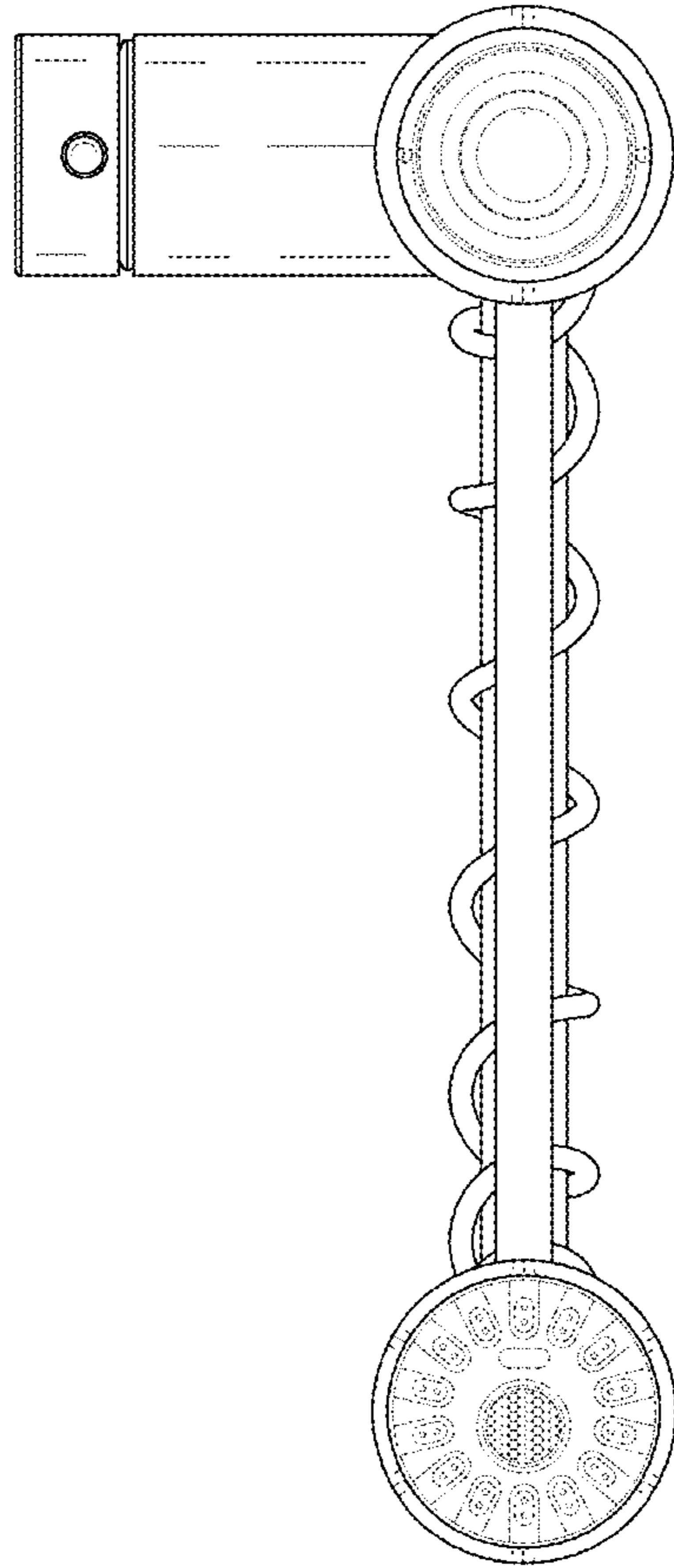


FIG. 8