



US00D905202S

(12) **United States Design Patent**
Zhang

(10) **Patent No.:** **US D905,202 S**

(45) **Date of Patent:** **** Dec. 15, 2020**

(54) **FAUCET**

(71) Applicant: **Xinrui Zhang**, Kaiping (CN)

(72) Inventor: **Xinrui Zhang**, Kaiping (CN)

(**) Term: **15 Years**

(21) Appl. No.: **29/747,869**

(22) Filed: **Aug. 26, 2020**

(51) **LOC (12) Cl.** **23-01**

(52) **U.S. Cl.**
USPC **D23/238**

(58) **Field of Classification Search**
USPC D23/238-241, 250, 252, 254-255, 257,
D23/226; D8/307-308
CPC Y10T 137/9464; Y10T 137/6014; Y10T
137/6017

See application file for complete search history.

(56) **References Cited**

U.S. PATENT DOCUMENTS

D441,840 S	*	5/2001	Meylan	D23/238
D479,310 S	*	9/2003	Ziemann	D23/238
D517,652 S		3/2006	Egli et al.		
D528,189 S	*	9/2006	Kulig	D23/238
D538,402 S	*	3/2007	Lammel	D23/238
D546,922 S	*	7/2007	Demmer	D23/238
D555,771 S	*	11/2007	Noth	D23/238
D646,354 S		10/2011	Gessi		
D652,899 S	*	1/2012	Citterio	D23/255

D685,878 S		7/2013	Fritz		
D734,433 S		7/2015	Sieger		
D767,098 S	*	9/2016	Citterio	D23/238
D810,237 S	*	2/2018	Schoenherr	D23/238
D811,552 S	*	2/2018	Fritz	D23/255
D813,987 S	*	3/2018	Schoenherr	D23/238
D828,510 S	*	9/2018	Zeisel	D23/238
D830,518 S		10/2018	Zeisel et al.		
D864,356 S	*	10/2019	Zhang	D23/238

* cited by examiner

Primary Examiner — Robert A Delehanty

(74) *Attorney, Agent, or Firm* — KA Filing LLC; Cynthia W. Flanigan

(57) **CLAIM**

I claim the ornamental design for a faucet, as shown and described.

DESCRIPTION

FIG. 1 is a Perspective view of a faucet showing my new design;

FIG. 2 is other perspective view thereof;

FIG. 3 is a Front view thereof;

FIG. 4 is a Back view thereof;

FIG. 5 is a Right-side view thereof;

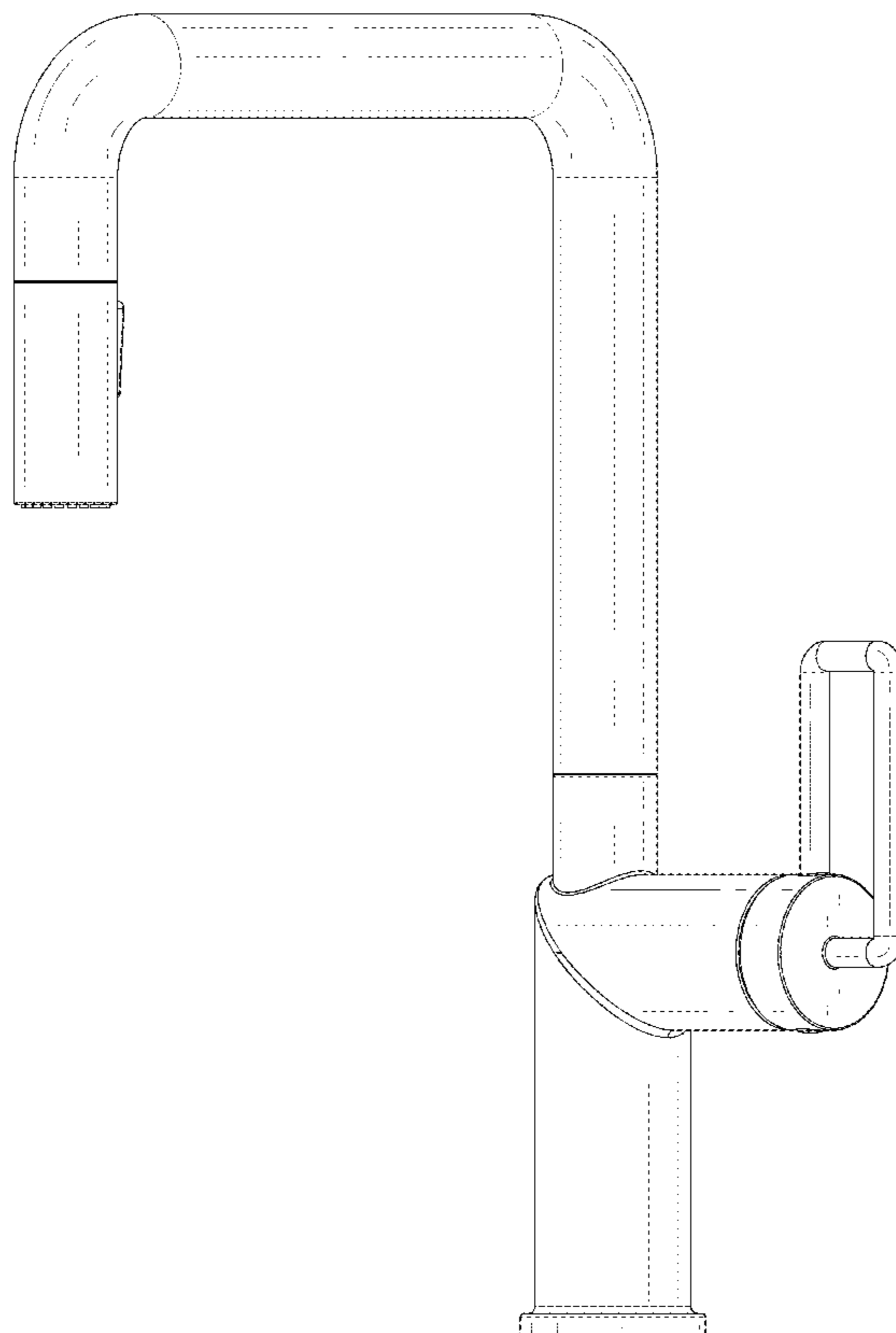
FIG. 6 is a Left-side view thereof;

FIG. 7 is a Top view thereof; and,

FIG. 8 is a Bottom view thereof.

The broken lines are for the purpose of illustrating portions of the article that form no part of the claim.

1 Claim, 8 Drawing Sheets



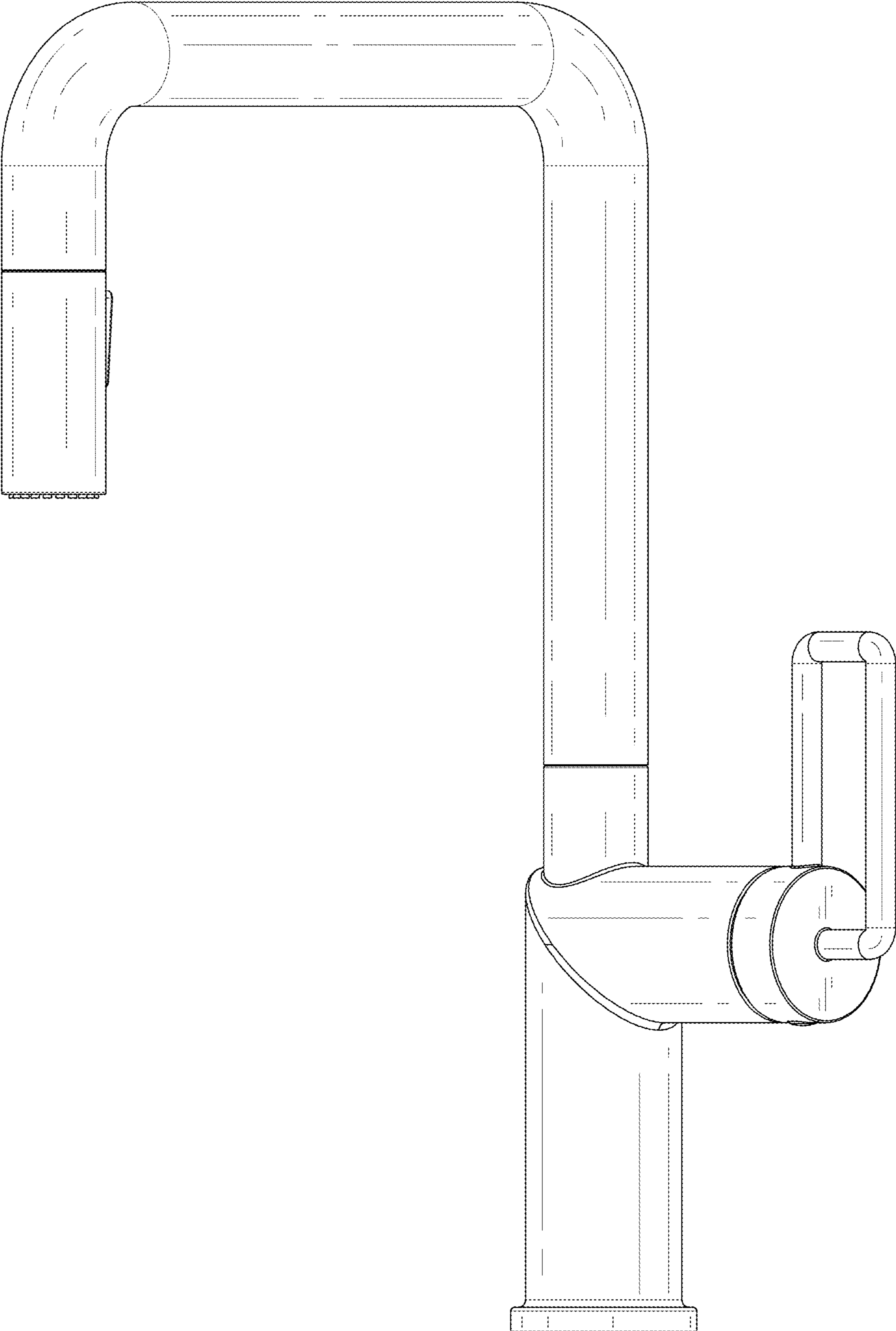


FIG. 1

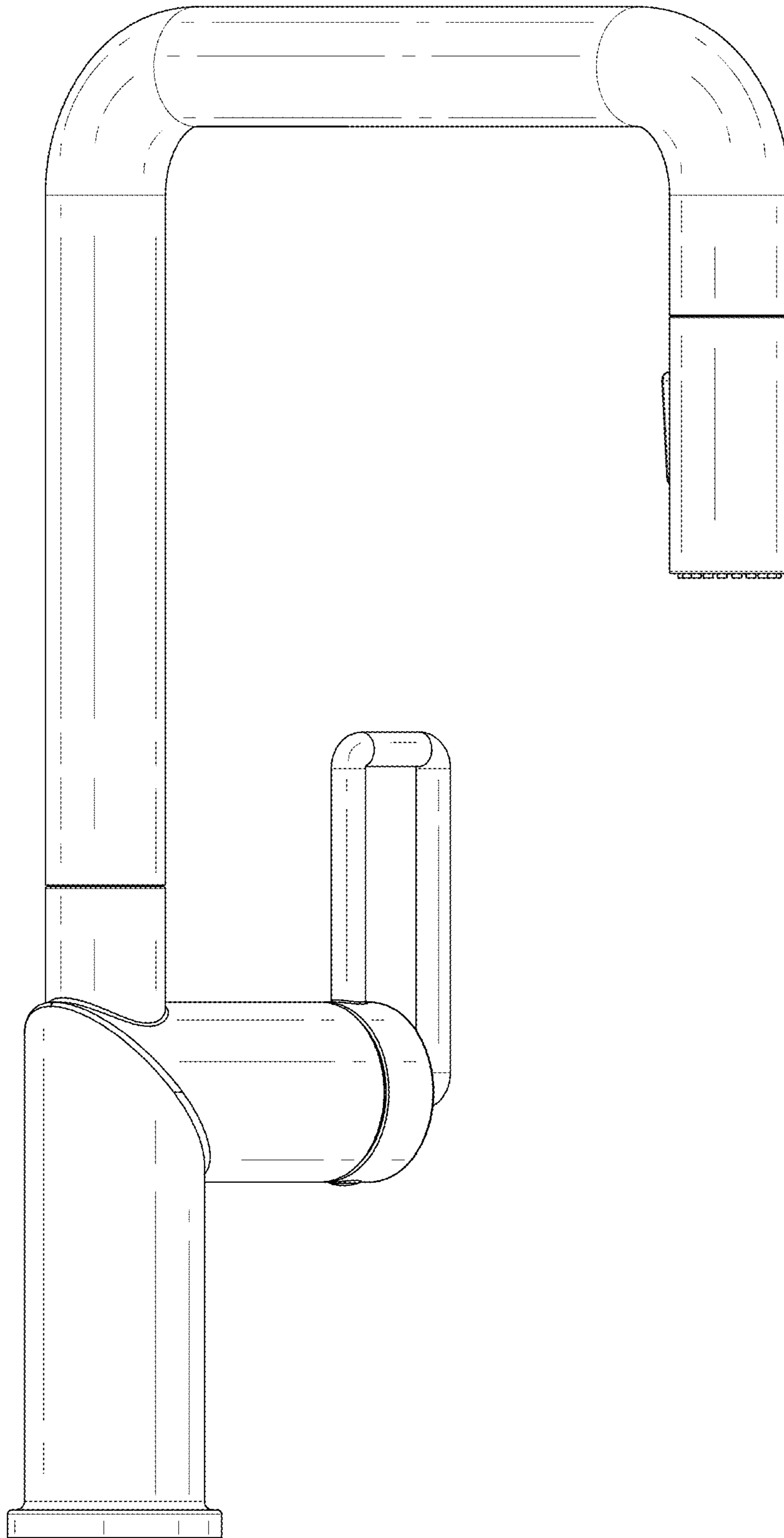


FIG. 2

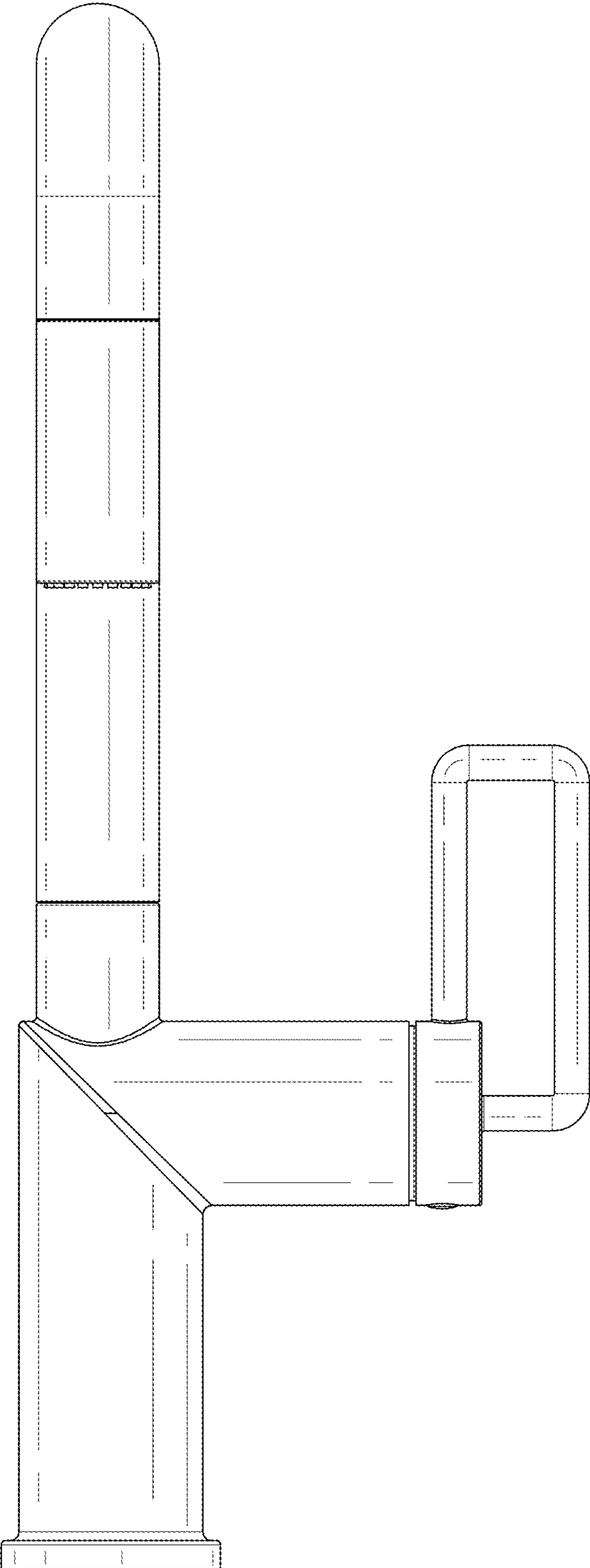


FIG. 3

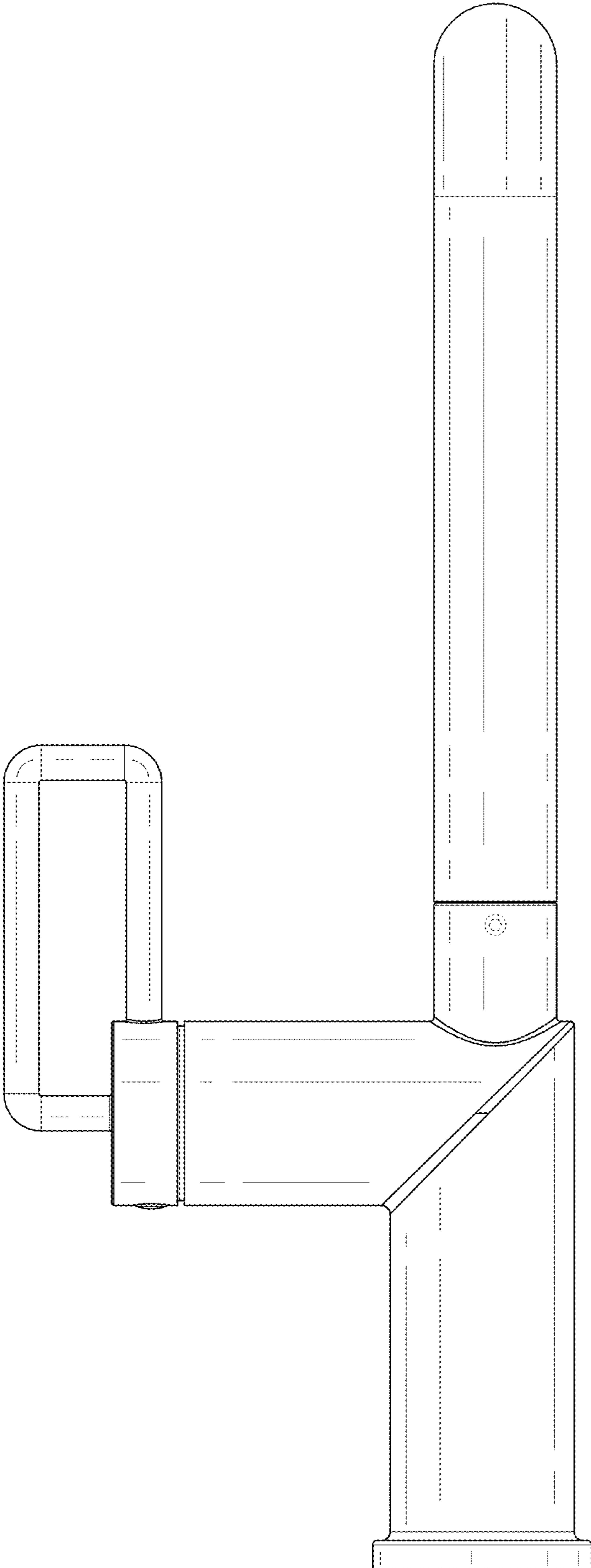


FIG. 4

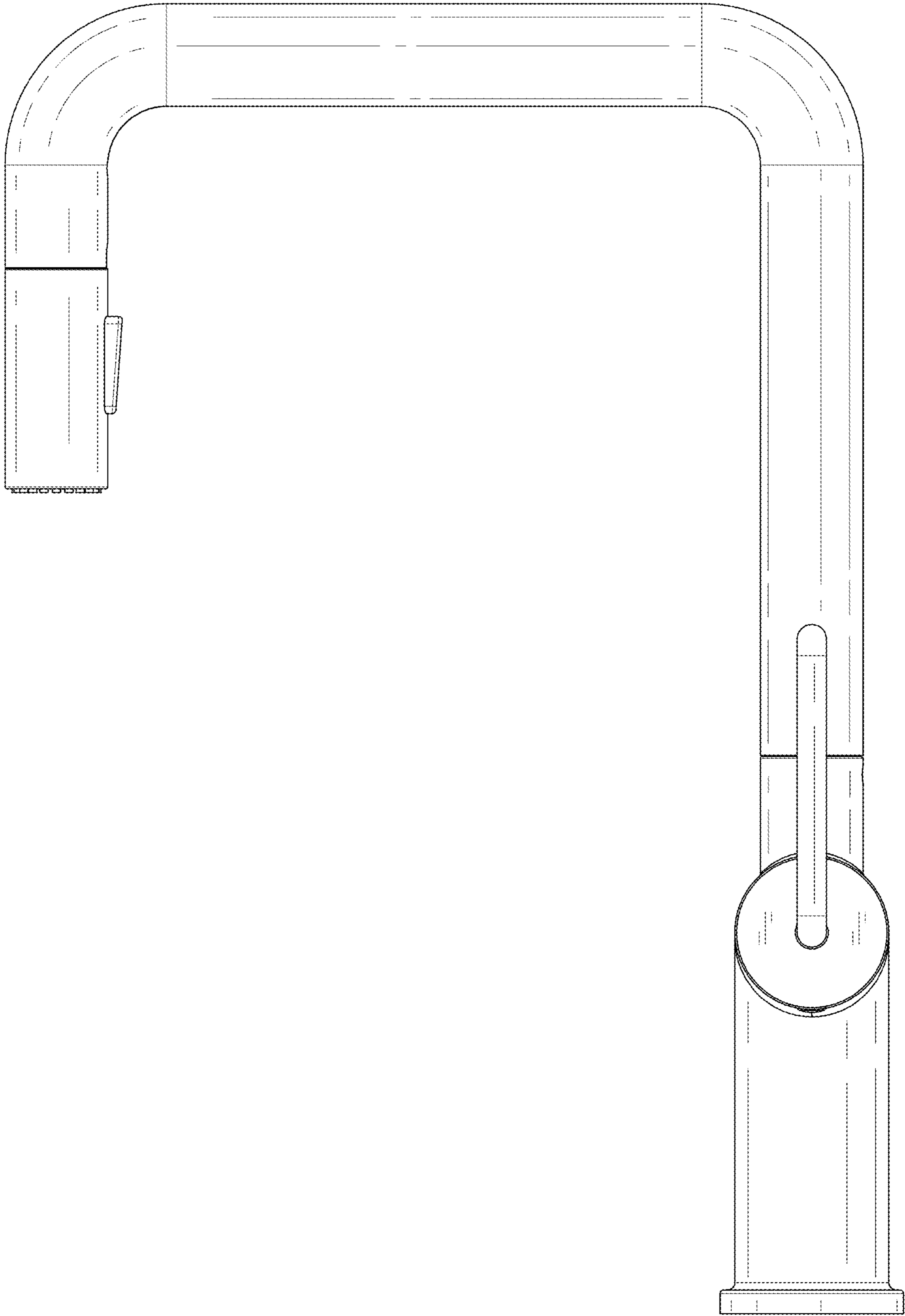


FIG. 5

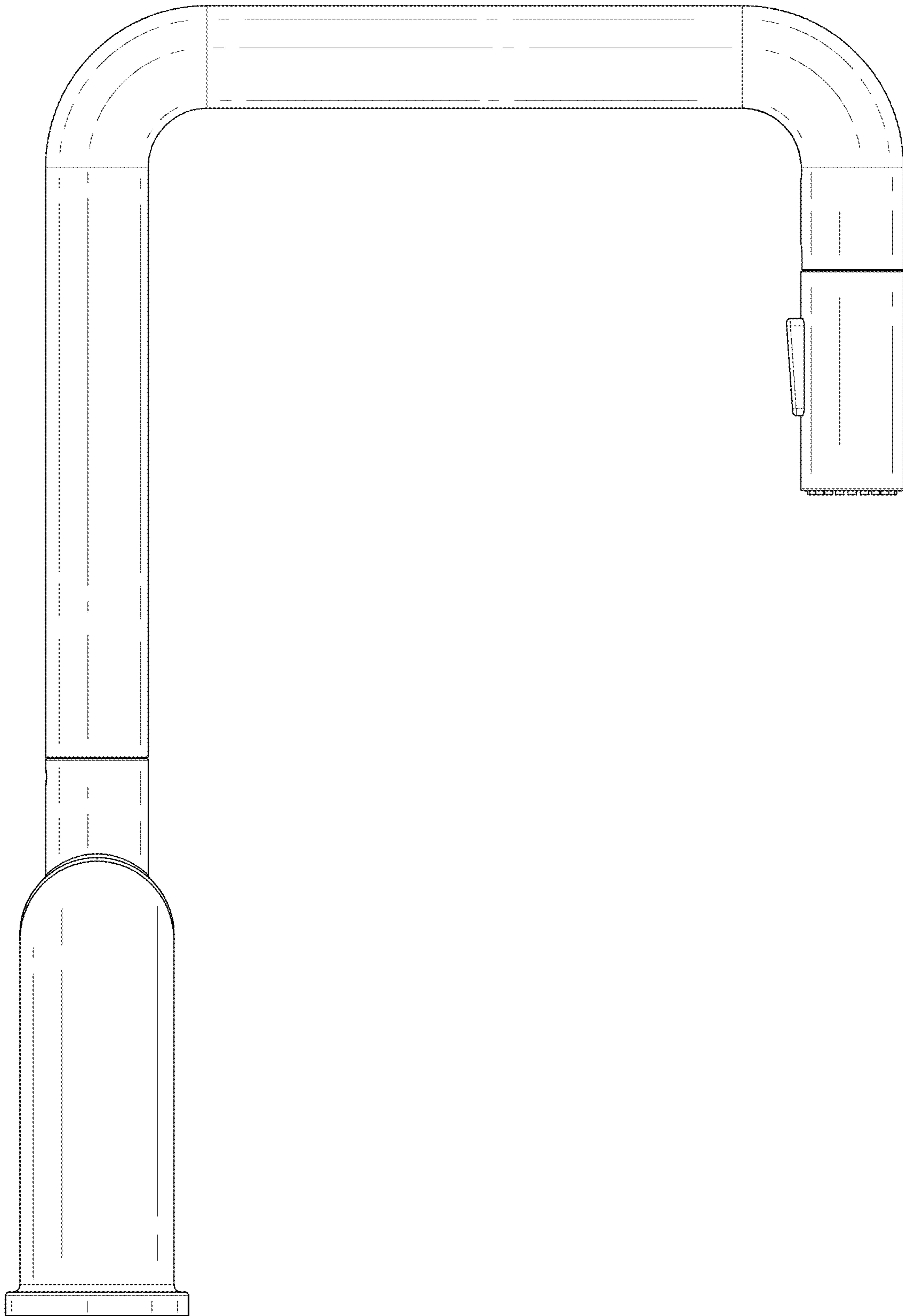


FIG. 6

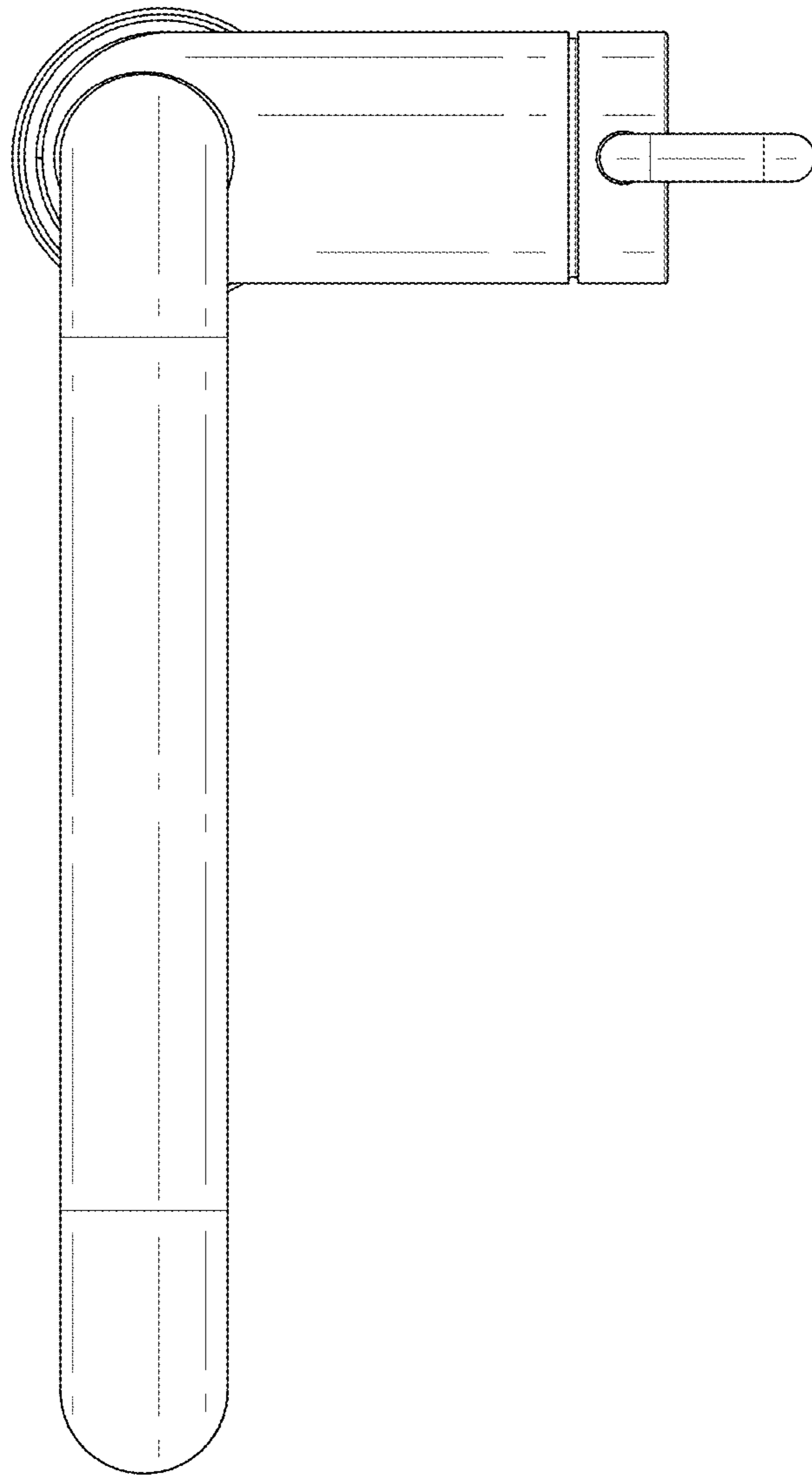


FIG. 7

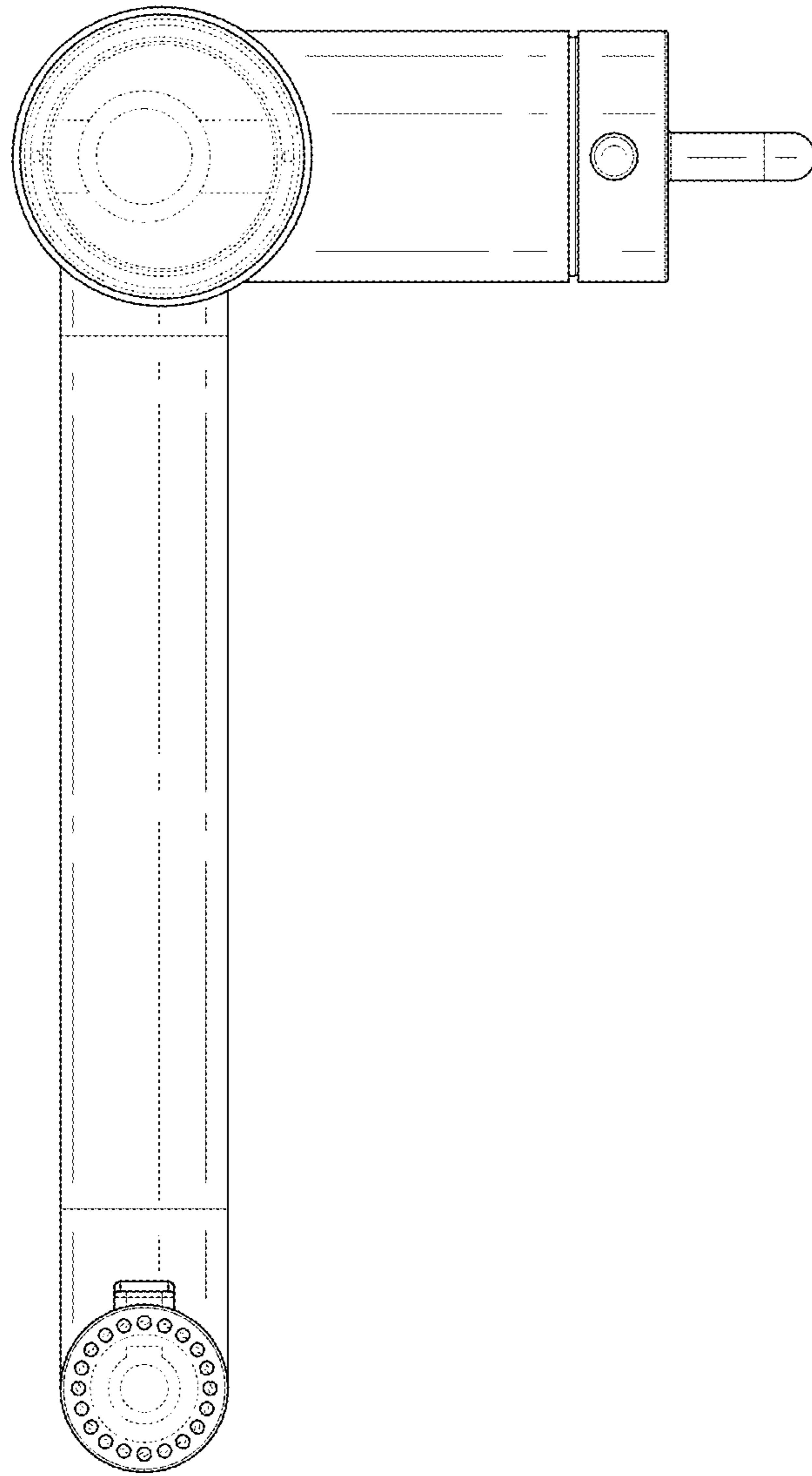


FIG. 8