



US00D905201S

(12) **United States Design Patent**  
**Liu**

(10) **Patent No.:** **US D905,201 S**

(45) **Date of Patent:** **\*\* Dec. 15, 2020**

- (54) **ADD-ON FAUCET WITH SPOUT**
- (71) Applicant: **Zhiyue Liu**, Hunan (CN)
- (72) Inventor: **Zhiyue Liu**, Hunan (CN)
- (73) Assignee: **KAIPING YUESHAN TOWN ZHEN BO CHUAN SANITARY EQUIPMENT FACTORY**, Kaiping (CN)

D737,937 S *	9/2015	Flowers	.....	D23/238
D741,453 S *	10/2015	Bahler	.....	D23/238
D756,487 S *	5/2016	Fritz	.....	D23/255
D767,098 S *	9/2016	Citterio	.....	D23/238
D791,282 S	7/2017	Bahler		
D811,556 S	2/2018	Garland		
D846,077 S *	4/2019	Liu	.....	D23/238
D877,861 S	3/2020	Garland		
D877,863 S *	3/2020	Rockwell	.....	D23/255

- (\*\*) Term: **15 Years**
- (21) Appl. No.: **29/729,642**
- (22) Filed: **Mar. 29, 2020**
- (51) **LOC (12) Cl.** ..... **23-01**
- (52) **U.S. Cl.**  
USPC ..... **D23/238**
- (58) **Field of Classification Search**  
USPC ..... D23/233, 238, 249, 239, 240-243, 250, D23/252, 255, 257; D8/350, 353, 307  
CPC ..... Y10T 137/9464; Y10T 137/0324; Y10T 137/6014; Y10T 137/87917; Y10T 137/87579; E03C 1/0404; E03C 2001/0415; E03C 2001/0414; E03C 2201/30; E03C 2201/40  
See application file for complete search history.

**OTHER PUBLICATIONS**

T&S Brass 5AFL12 Faucet with Add-On for Pre-Rinse and 12-Inch Swivel Spout [https://www.amazon.com/Brass-5AFL12-Faucet-Pre-Rinse-12-Inch/dp/B0037SM88E/ref=sr\\_1\\_13?dchild=1&keywords=add-on+faucet+with+12+in+spout&qid=1585304652&sr=8-13](https://www.amazon.com/Brass-5AFL12-Faucet-Pre-Rinse-12-Inch/dp/B0037SM88E/ref=sr_1_13?dchild=1&keywords=add-on+faucet+with+12+in+spout&qid=1585304652&sr=8-13).

\* cited by examiner

*Primary Examiner* — Gino Colan

(57) **CLAIM**

The ornamental design for an add-on faucet with spout, as shown and described.

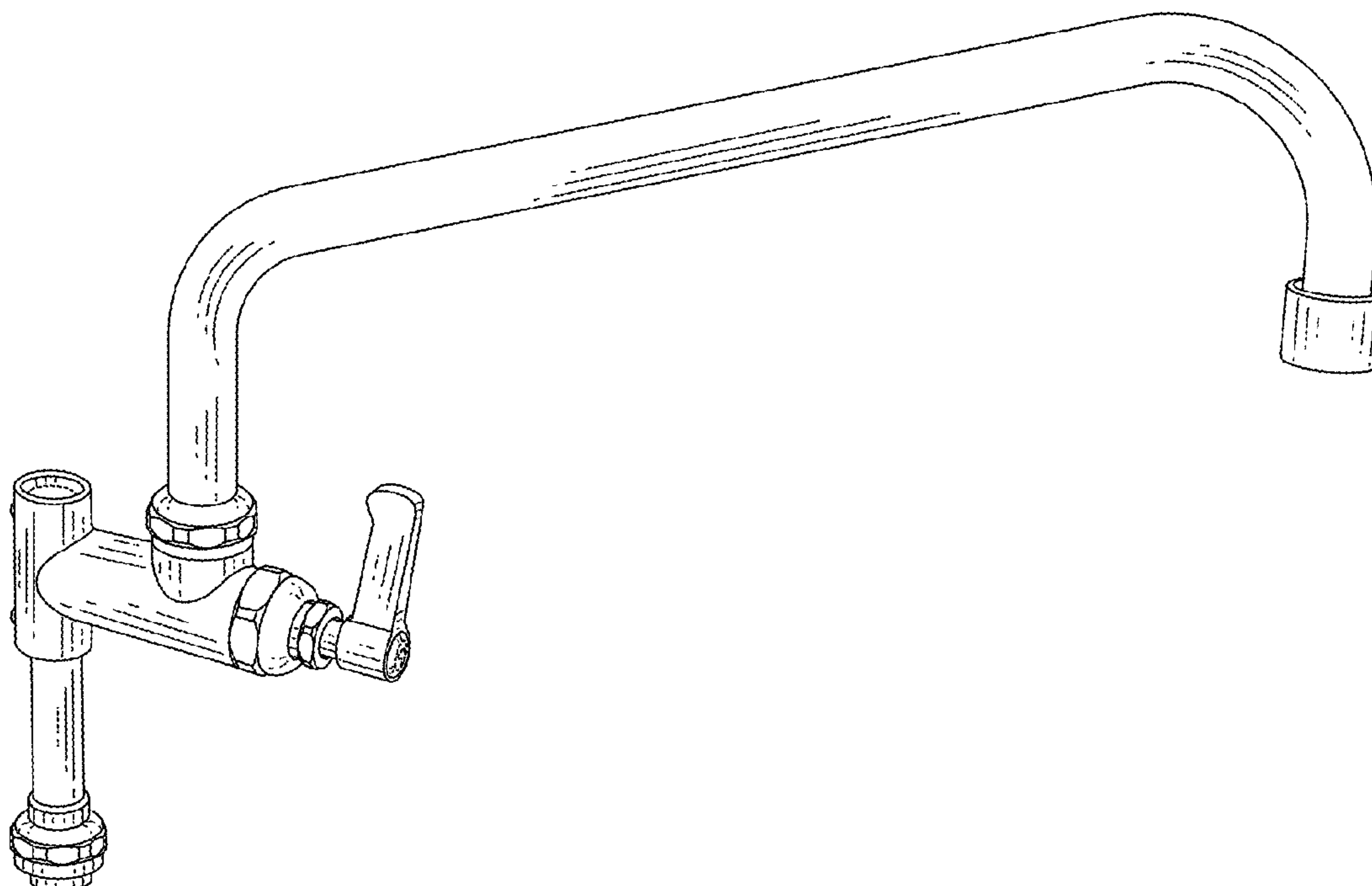
**DESCRIPTION**

FIG. 1 is a perspective view of an add-on faucet with spout showing my new design;  
FIG. 2 is a front elevational view thereof;  
FIG. 3 is a rear elevational view thereof;  
FIG. 4 is a left side elevational view thereof;  
FIG. 5 is a right side elevational view thereof;  
FIG. 6 is a top plan view thereof; and,  
FIG. 7 is a bottom plan view thereof.

The broken lines shown in the figures are for the purpose of illustrating portions of the add-on faucet with spout and form no part of the claimed design.

**1 Claim, 7 Drawing Sheets**

- (56) **References Cited**  
**U.S. PATENT DOCUMENTS**  
D579,082 S 10/2008 Yuan  
D581,498 S 11/2008 Dolan  
D654,570 S 2/2012 Yu  
D712,521 S 9/2014 Smith et al.  
D714,913 S 10/2014 Smith et al.



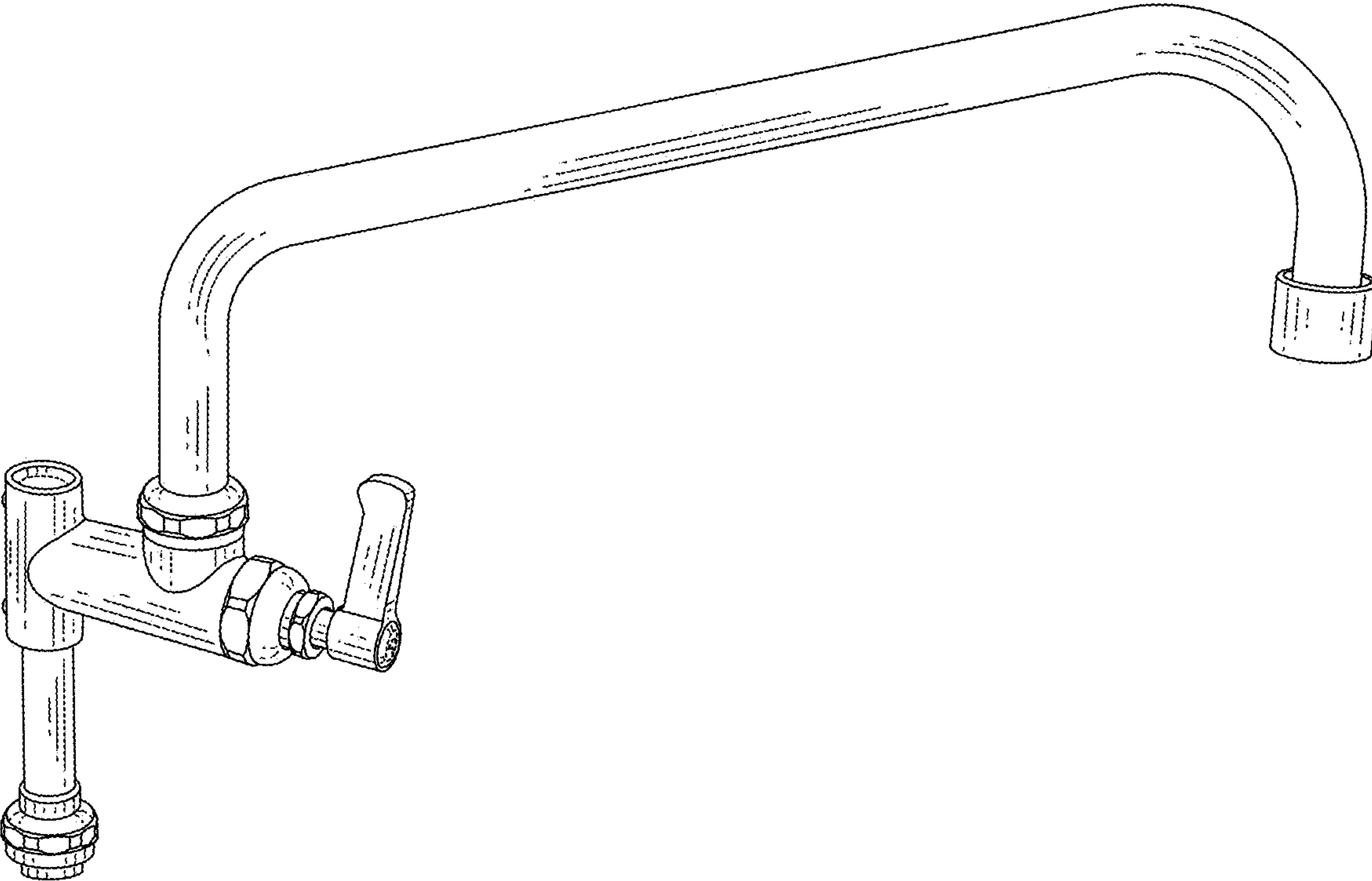


FIG.1

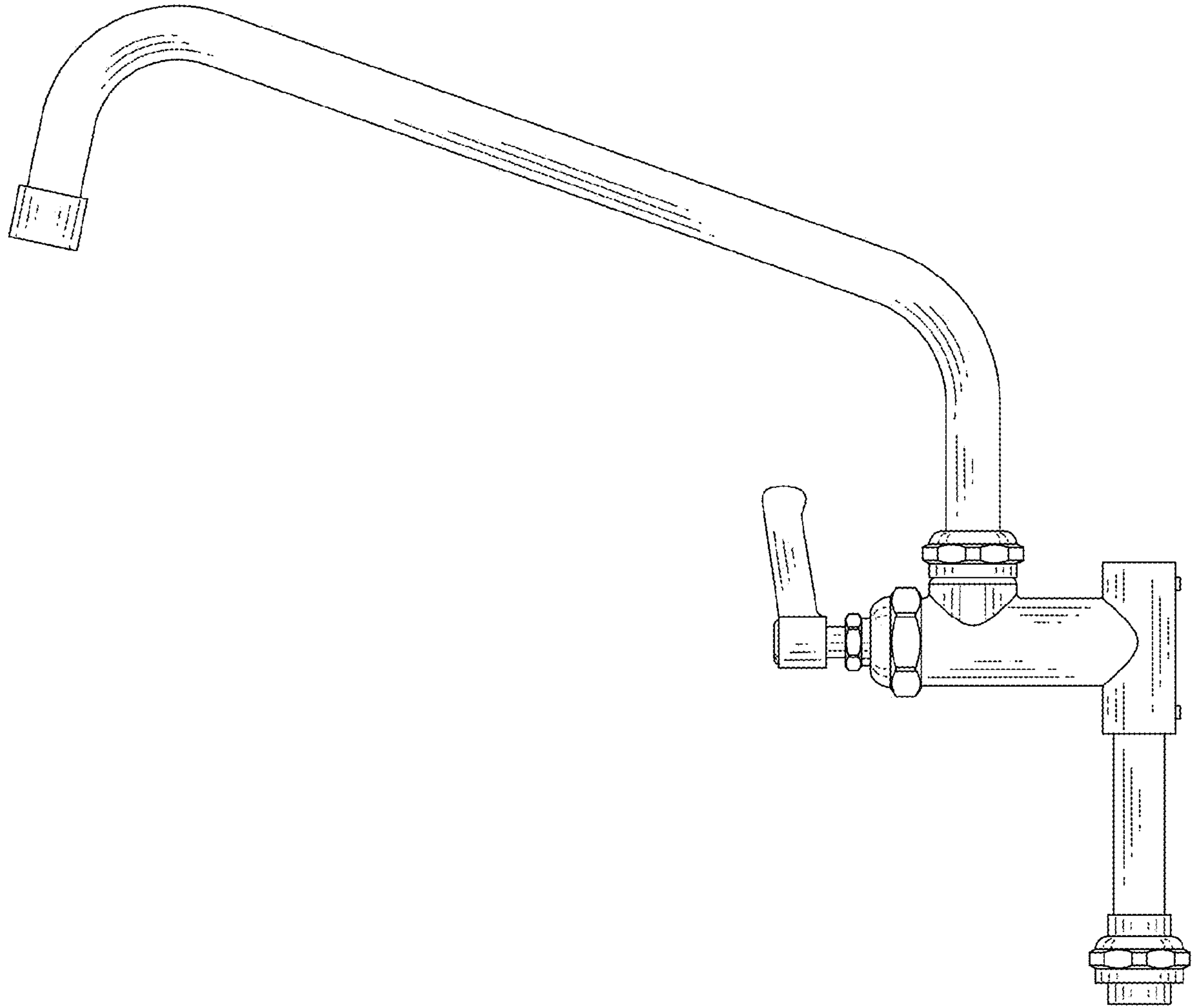


FIG.2

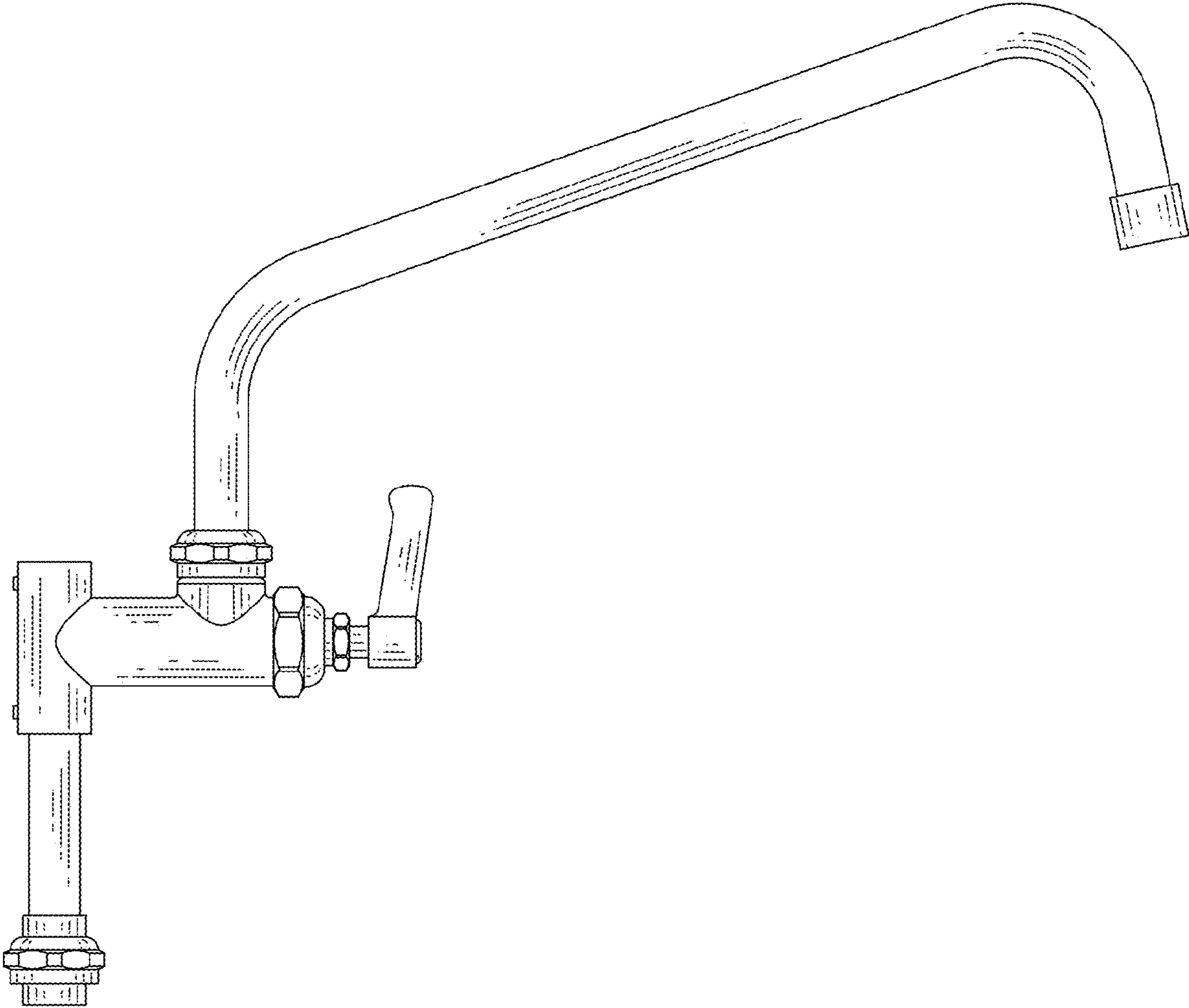


FIG.3

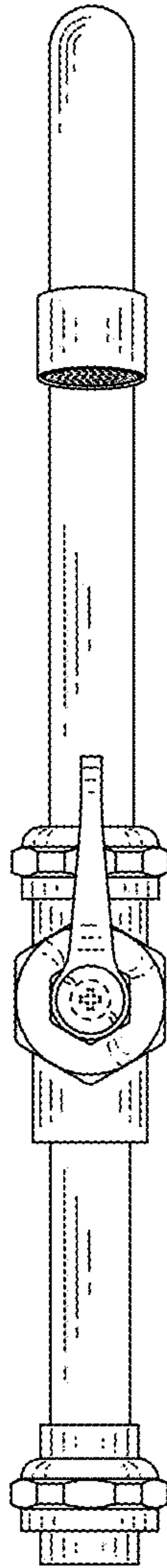


FIG.4

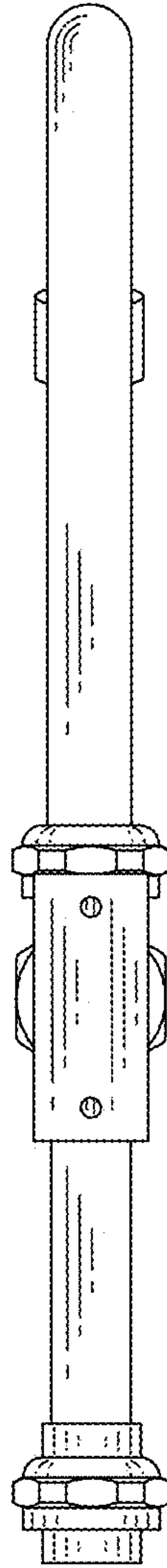


FIG.5

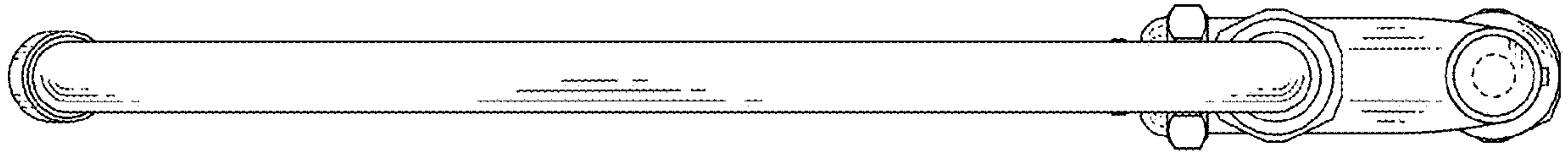


FIG.6

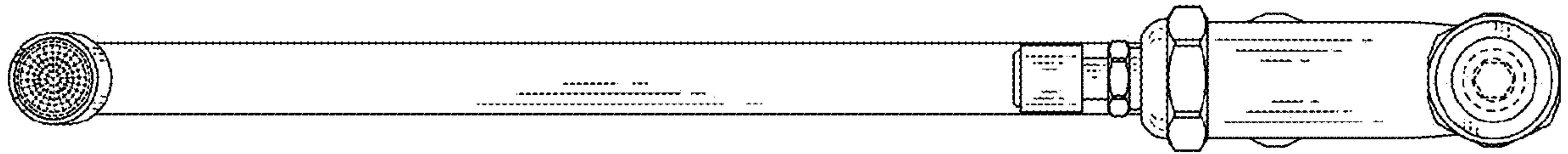


FIG.7