



US00D905200S

(12) **United States Design Patent**
Willfort

(10) **Patent No.:** **US D905,200 S**

(45) **Date of Patent:** **** Dec. 15, 2020**

(54) **FUELING NOZZLE**

(71) Applicant: **WEH GmbH Verbindungstechnik,**
Illertissen (DE)

(72) Inventor: **Michael Willfort,** Illertissen (DE)

(**) Term: **15 Years**

(21) Appl. No.: **35/507,431**

(22) Filed: **Feb. 9, 2019**

(80) **Hague Agreement Data**

Int. Filing Date: **Feb. 9, 2019**

Int. Reg. No.: **DM/202585**

Int. Reg. Date: **Feb. 9, 2019**

Int. Reg. Pub. Date: **Sep. 13, 2019**

(51) **LOC (12) Cl.** **23-01**

(52) **U.S. Cl.**
USPC **D23/226**
CPC **B67D 3/00** (2013.01)

(58) **Field of Classification Search**
USPC D23/211, 211.1, 211.2, 213, 223–226,
D23/231, 249, 255, 257, 260, 262, 263,
D23/266
CPC B67D 5/37; B67D 7/54; B67D 7/50; F16L
37/00; F16L 37/46; F17C 13/12; F17C
2205/0376
See application file for complete search history.

(56) **References Cited**

U.S. PATENT DOCUMENTS

D293,462 S * 12/1987 Bower D23/226
D317,969 S * 7/1991 Lambert D23/226

D321,036 S * 10/1991 Jacobs D23/226
D322,656 S * 12/1991 Carder, Sr. D23/226
D338,209 S * 8/1993 Butkovich D23/226
D338,210 S * 8/1993 Lambert D23/226
D341,595 S * 11/1993 Strock D23/226
D342,742 S * 12/1993 Daul D23/226
D355,704 S * 2/1995 Simpson D23/223
D359,100 S * 6/1995 Dotson D23/223
D544,568 S * 6/2007 Cary D23/213
D579,078 S * 10/2008 Deline D23/223
D656,221 S * 3/2012 Gevers D23/226
D684,664 S * 6/2013 Gevers D23/226
9,884,754 B2 * 2/2018 Tomgren B67D 7/54
D812,189 S * 3/2018 Yorns D23/223
D852,324 S * 6/2019 Willfort D23/226
D879,912 S * 3/2020 Alexander D23/226
D882,729 S * 4/2020 Sever D23/226

* cited by examiner

Primary Examiner — Richard E Chilcot

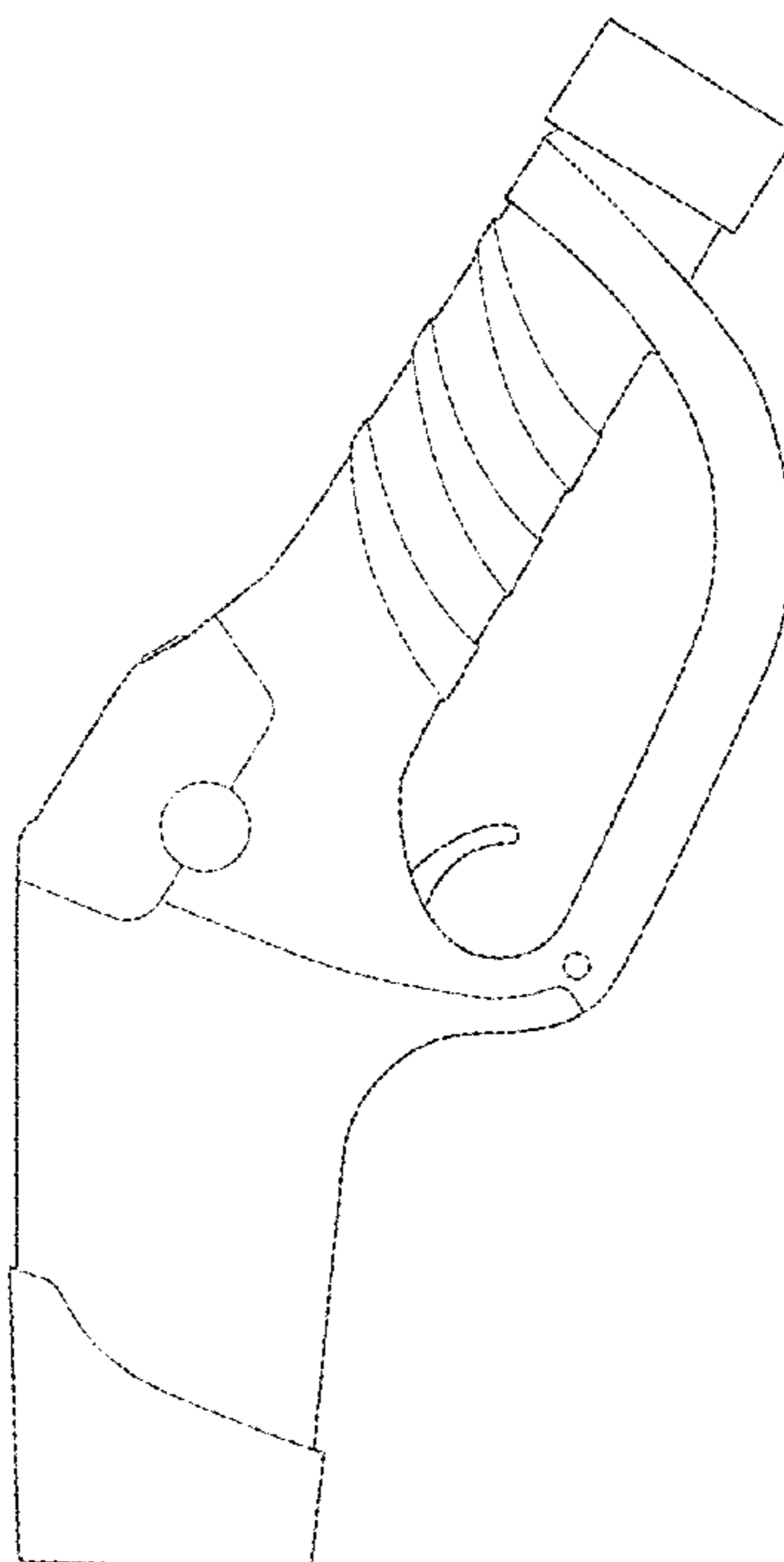
(57) **CLAIM**

The ornamental design for a fueling nozzle, as shown and described.

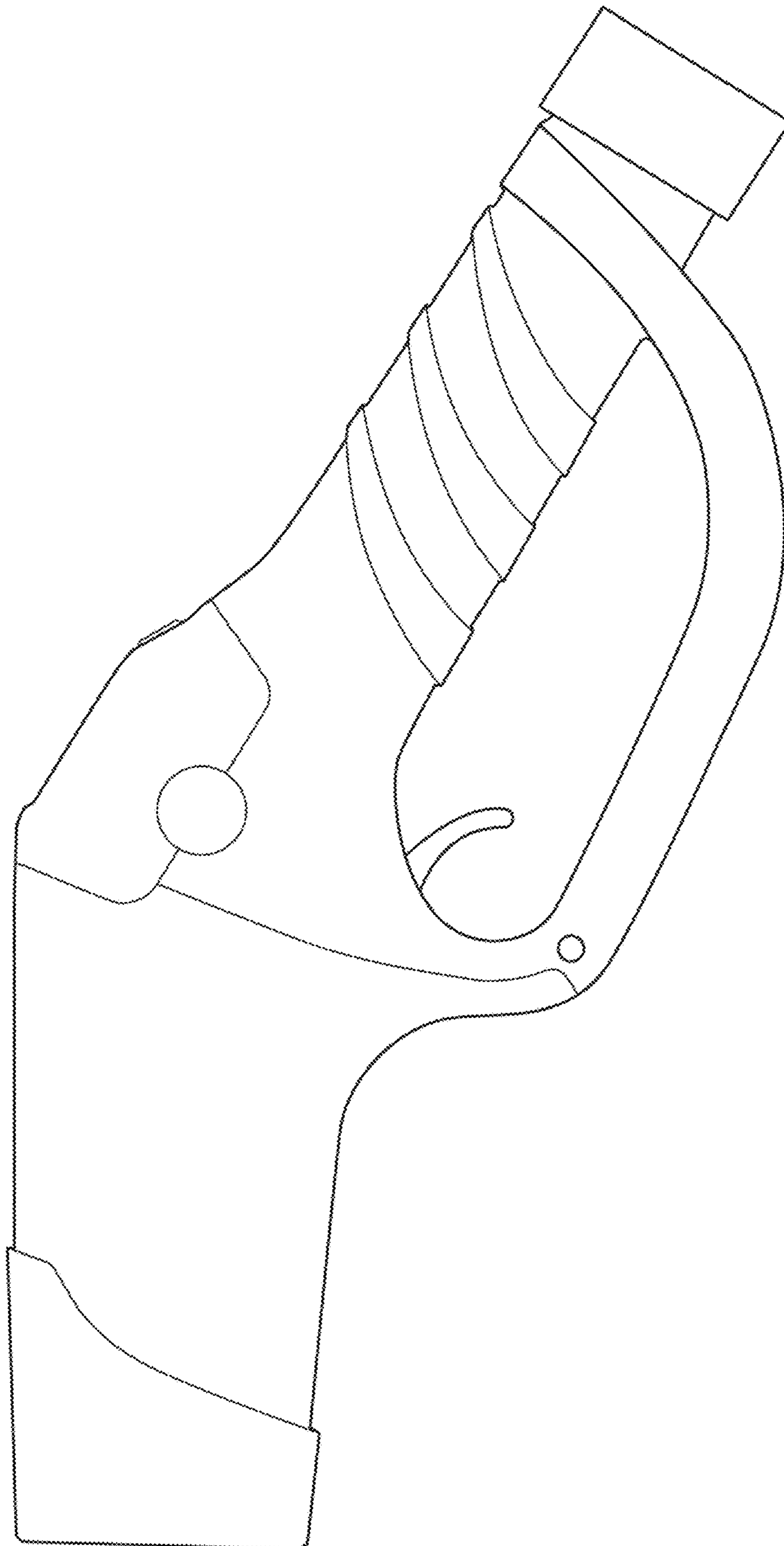
DESCRIPTION

1. Fueling nozzle
The ornamental design for a fueling nozzle, wherein Fig. 1.1 shows a left view, Fig. 1.2 shows a right view, Fig. 1.3 shows a top view, Fig. 1.4 shows a bottom view, Fig. 1.5 shows a back view, Fig. 1.6 shows a front view and Fig. 1.7 shows an oblique view from the front side of the fueling nozzle.

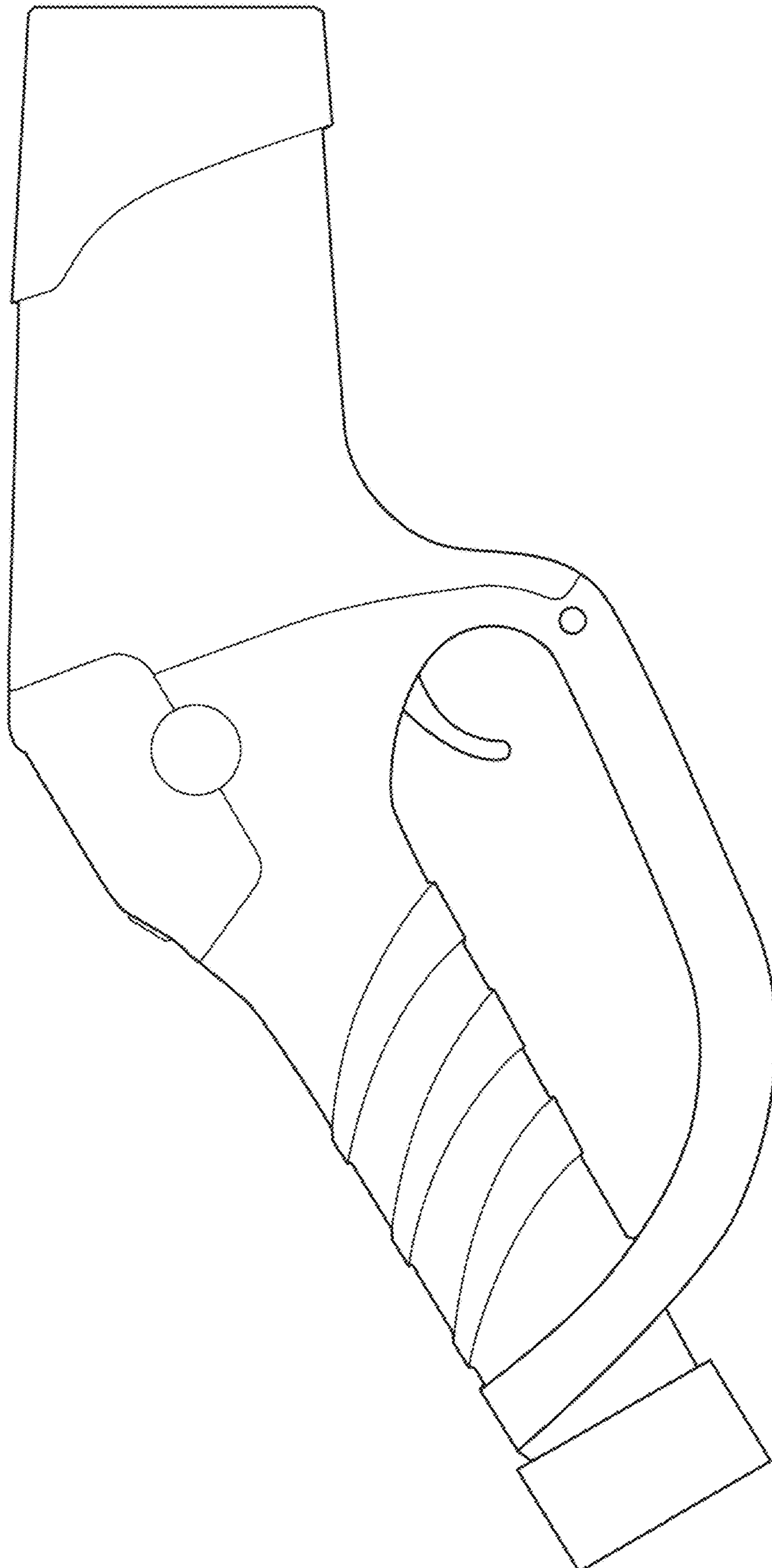
1 Claim, 7 Drawing Sheets



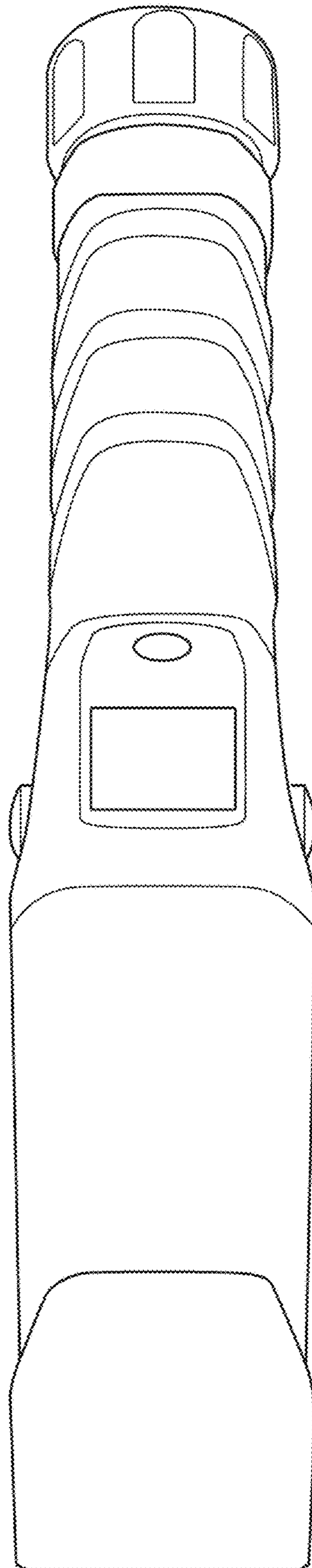
1.1



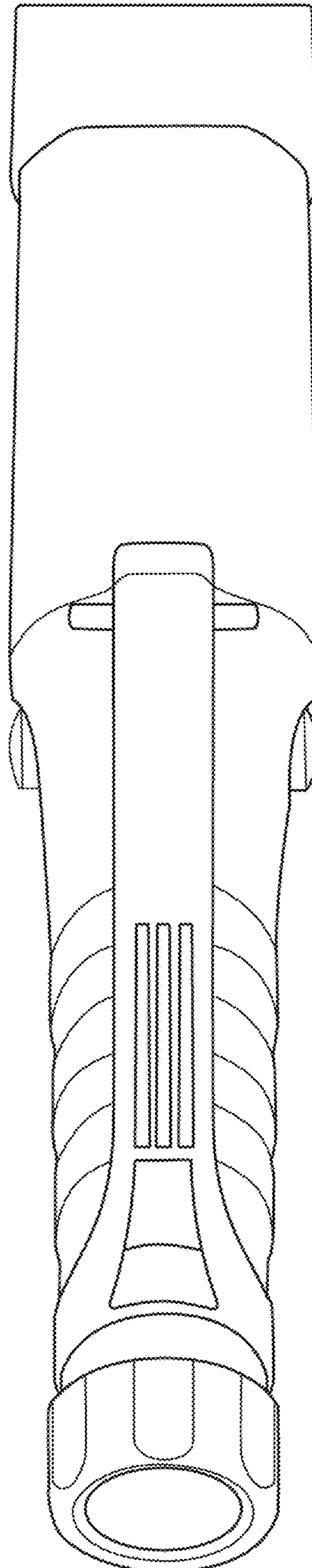
1.2



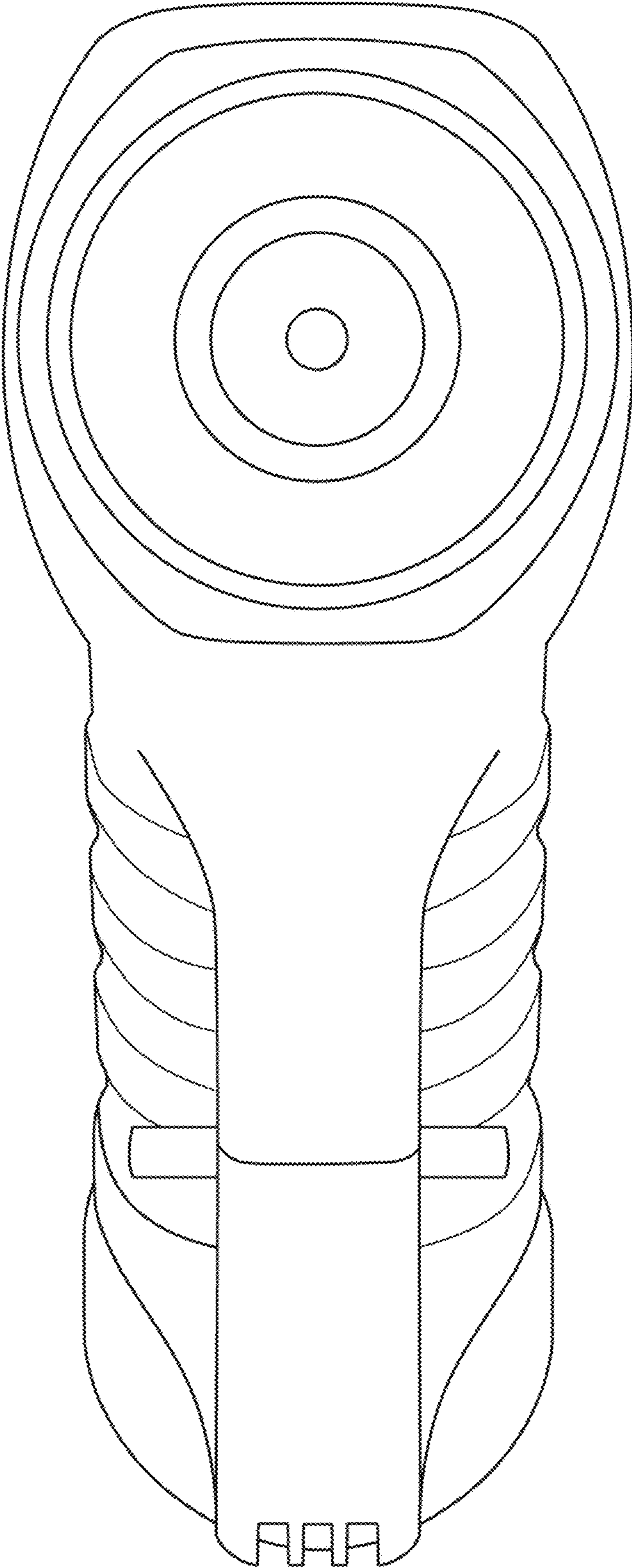
1.3



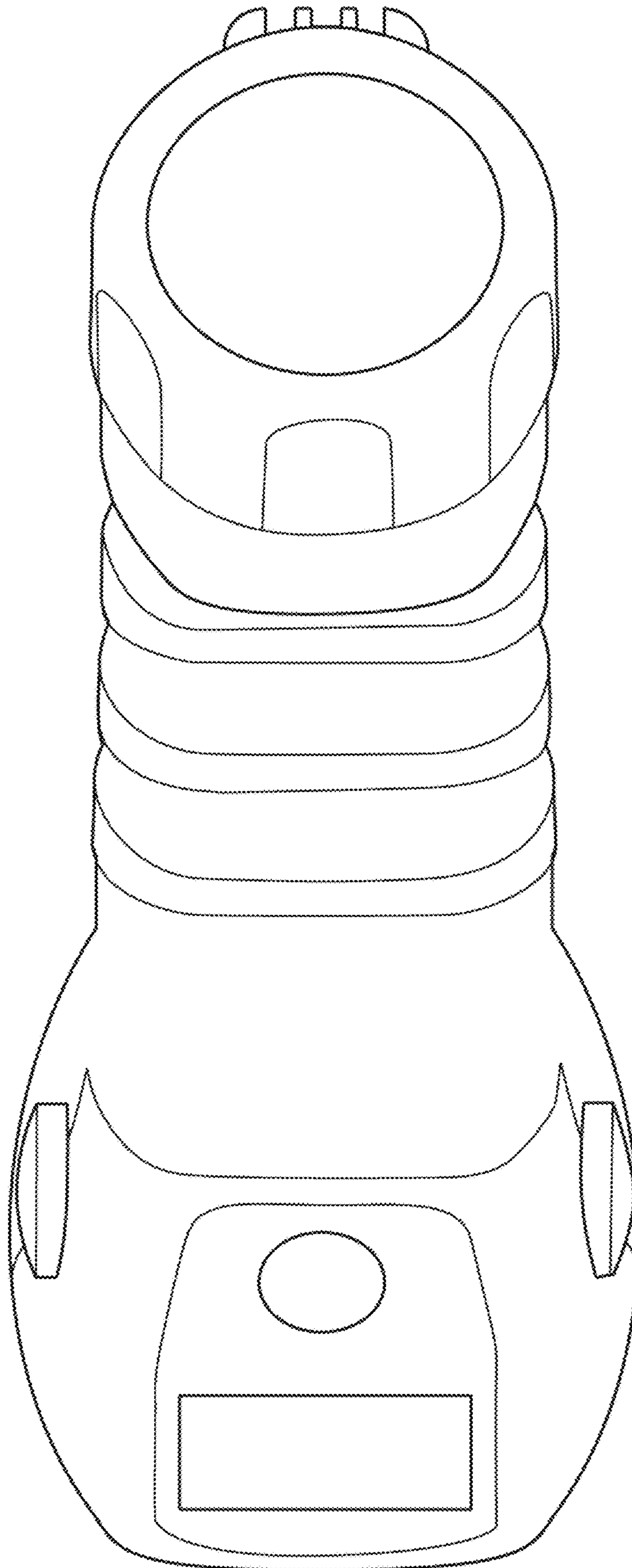
1.4



1.5



1.6



1.7

