



US00D905199S

(12) **United States Design Patent**  
**Wu et al.**

(10) **Patent No.: US D905,199 S**

(45) **Date of Patent: \*\* Dec. 15, 2020**

(54) **WATER FLOW REGULATOR**

(71) Applicant: **Unique Town Industrial Corp.,**  
Taichung (TW)

(72) Inventors: **James Wu, Taichung (TW); Alex Wu,**  
Taichung (TW)

(73) Assignee: **UNIQUE TOWN INDUSTRIAL**  
**CORP., Taichung (TW)**

D612,911 S \* 3/2010 Grether ..... D23/249  
7,731,107 B2 \* 6/2010 Grether ..... B05B 1/18  
239/500  
RE43,347 E \* 5/2012 Grether ..... D23/249  
8,205,810 B2 \* 6/2012 Lacher ..... E03C 1/08  
239/428.5  
8,328,119 B2 \* 12/2012 Grether ..... B05B 1/1609  
239/428.5  
D688,774 S \* 8/2013 Tempel ..... D23/213  
D728,740 S \* 5/2015 Tempel ..... D23/213

(Continued)

(\*\*) Term: **15 Years**

**OTHER PUBLICATIONS**

(21) Appl. No.: **29/670,995**

(22) Filed: **Nov. 21, 2018**

(51) **LOC (12) Cl. .... 23-01**

(52) **U.S. Cl.**  
USPC ..... **D23/213**

(58) **Field of Classification Search**  
USPC ..... D23/207, 213, 214, 215, 223, 224, 226,  
D23/229, 230, 233–239, 241–242, 255,  
D23/257, 260; D7/325, 369, 667  
CPC ..... A61H 9/0021; A61H 33/00; B05B 1/00;  
B05B 1/14; B05B 1/185; B05B 1/08;  
B05B 1/02; B05B 1/26; B05B 12/002;  
B05B 1/18; B05B 9/01; E03C 1/08;  
E03C 1/084; E03C 1/086; E03C  
2001/026

See application file for complete search history.

Amazon, Faucet Tap Aerator Plastic Insert Replacement 9 L/min  
22mm 24mm found on Sep. 19, 2020 [https://www.amazon.co.uk/  
Faucet-Aerator-Plastic-Insert-Replacement/dp/B01GYRU9T4/ref=  
sr\\_1\\_7?dchild=1&keywords=faucet+aerator+insert&qid=1600548871  
&sr=8-7](https://www.amazon.co.uk/Faucet-Aerator-Plastic-Insert-Replacement/dp/B01GYRU9T4/ref=sr_1_7?dchild=1&keywords=faucet+aerator+insert&qid=1600548871&sr=8-7) (Year: 2016).\*

*Primary Examiner* — Cathron C Brooks

*Assistant Examiner* — Keith J Wilson

(74) *Attorney, Agent, or Firm* — Birch, Stewart, Kolasch  
& Birch, LLP

(57) **CLAIM**

The ornamental design for a water flow regulator, as shown  
and described.

**DESCRIPTION**

FIG. 1 is a first perspective view of a water flow regulator  
showing my new design;

FIG. 2 is a second perspective view of the water flow  
regulator;

FIG. 3 is a third perspective view of the water flow regulator;

FIG. 4 is a front view of FIG. 1;

FIG. 5 is a rear view of FIG. 1;

FIG. 6 is a left side view of FIG. 1;

FIG. 7 is a right side view of FIG. 1;

FIG. 8 is a top view of FIG. 1; and,

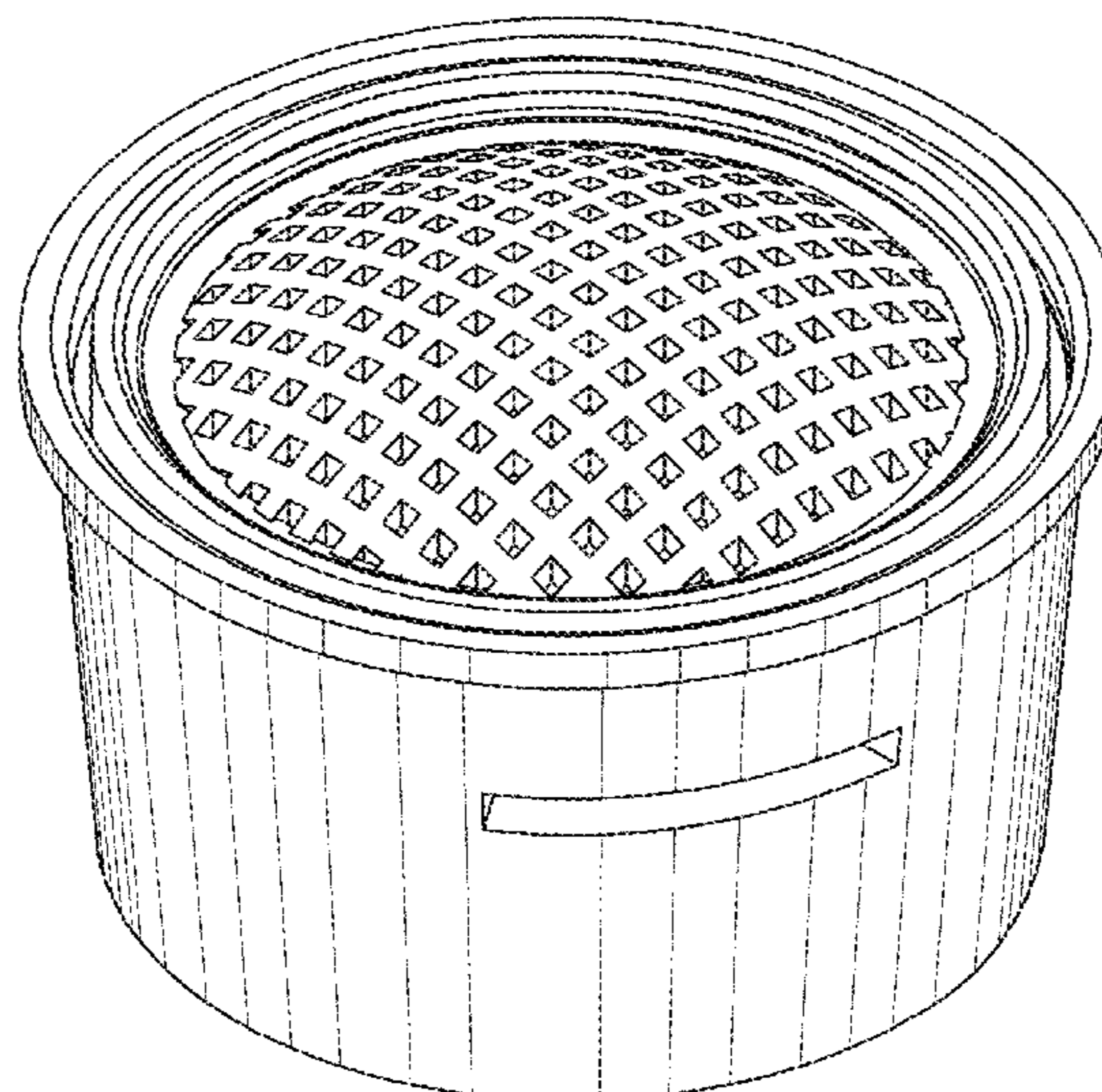
FIG. 9 is a bottom view of FIG. 1.

(56) **References Cited**

**U.S. PATENT DOCUMENTS**

6,126,093 A \* 10/2000 Grether ..... E03C 1/08  
239/428.5  
D539,391 S \* 3/2007 Grether ..... D23/249  
D550,816 S \* 9/2007 Grether ..... D23/249  
D550,817 S \* 9/2007 Grether ..... D23/249  
D550,818 S \* 9/2007 Grether ..... D23/249  
7,357,337 B2 \* 4/2008 Ferrari ..... E03C 1/08  
239/428.5  
D591,403 S \* 4/2009 Grether ..... D23/249  
D605,732 S \* 12/2009 Stein ..... D23/249

**1 Claim, 9 Drawing Sheets**



(56)

**References Cited**

U.S. PATENT DOCUMENTS

D752,710 S \* 3/2016 Tempel ..... D23/213  
9,416,522 B2 \* 8/2016 Tempel ..... E03C 1/08  
D776,240 S \* 1/2017 Huang ..... D23/213  
9,580,893 B2 \* 2/2017 Blum ..... B05B 1/16  
D788,264 S \* 5/2017 Stein ..... D23/213  
D788,881 S \* 6/2017 Birmelin ..... D23/213  
D812,722 S \* 3/2018 Blum ..... D23/249  
D833,583 S \* 11/2018 Birmelin ..... D23/260  
D834,153 S \* 11/2018 Tempel ..... D23/260  
D844,747 S \* 4/2019 Blum ..... D23/213  
D849,888 S \* 5/2019 Schurle ..... D23/213  
D866,709 S \* 11/2019 Schurle ..... D23/213  
D894,338 S \* 8/2020 Lai ..... D23/213  
D895,065 S \* 9/2020 Lai ..... D23/213  
2020/0224395 A1 \* 7/2020 Stein ..... E03C 1/084

\* cited by examiner

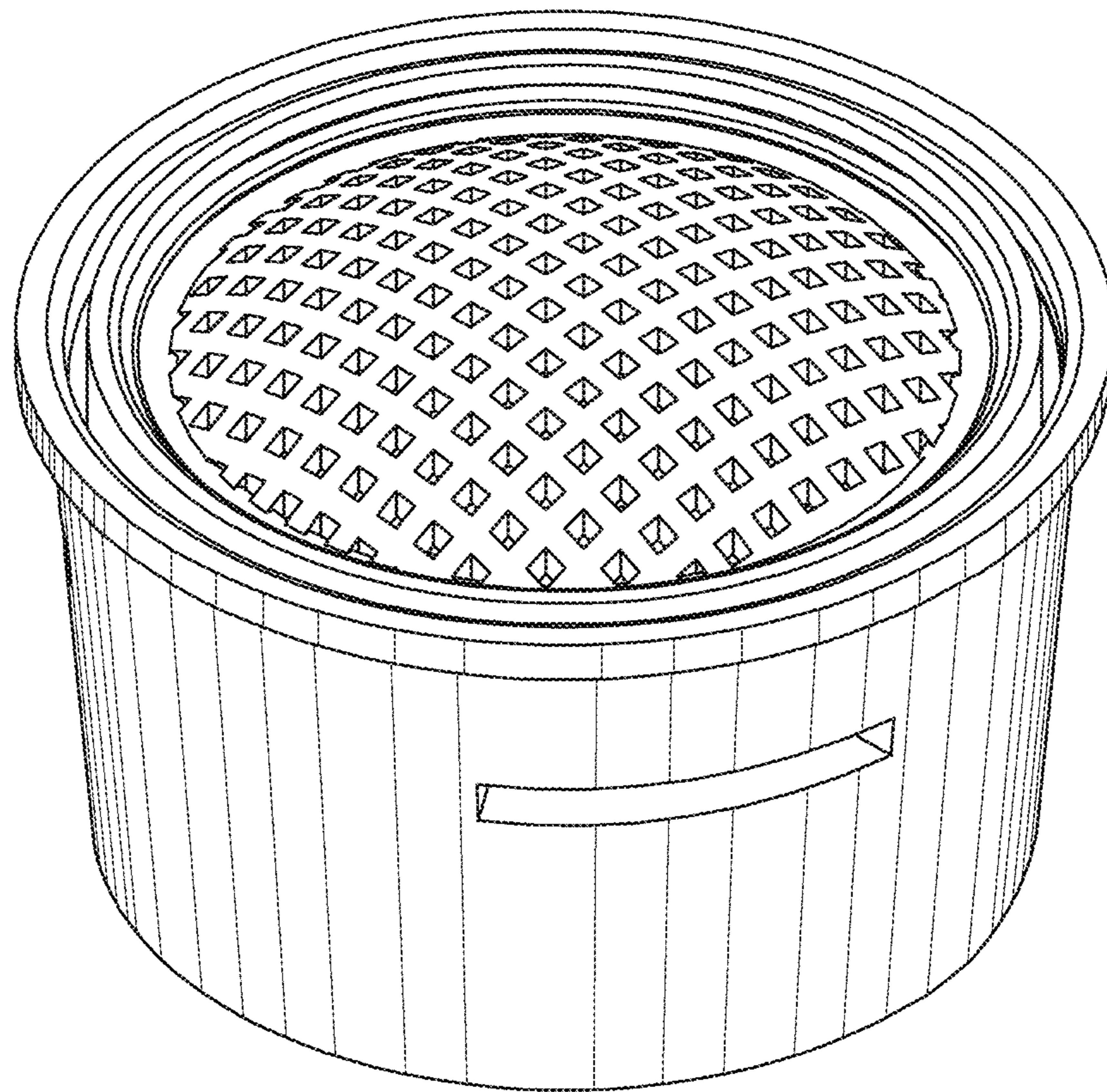


FIG.1

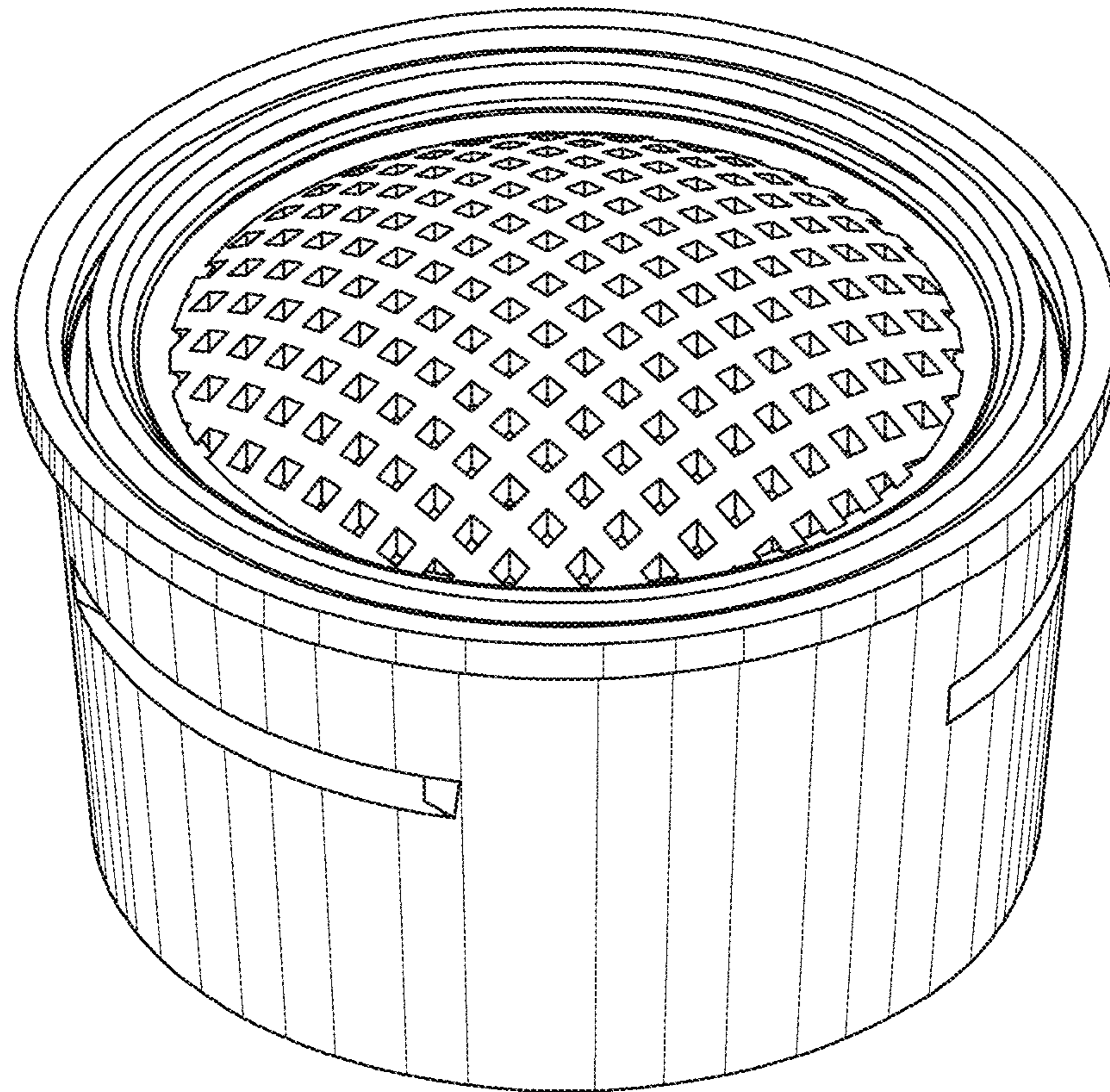


FIG.2

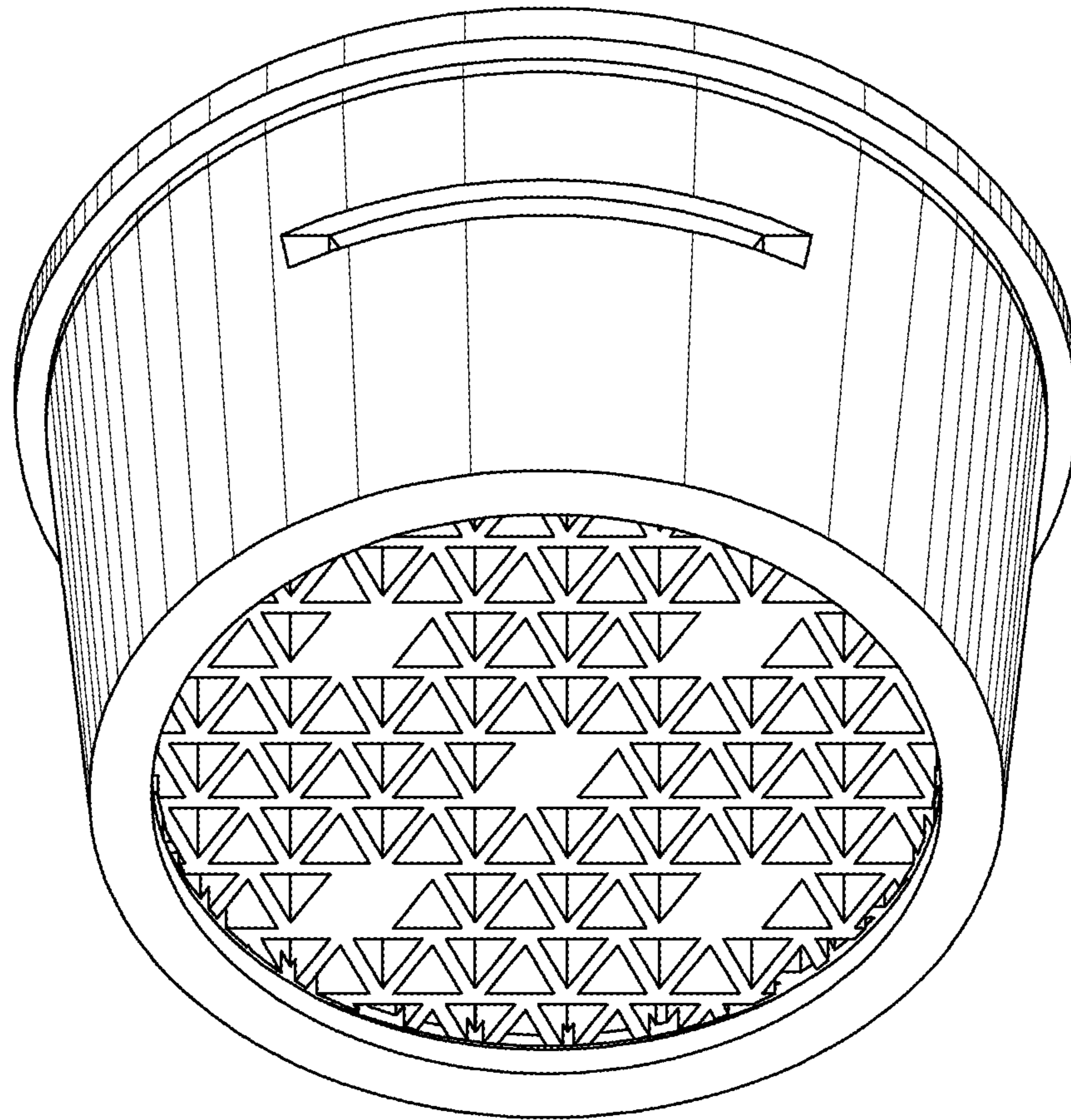


FIG.3

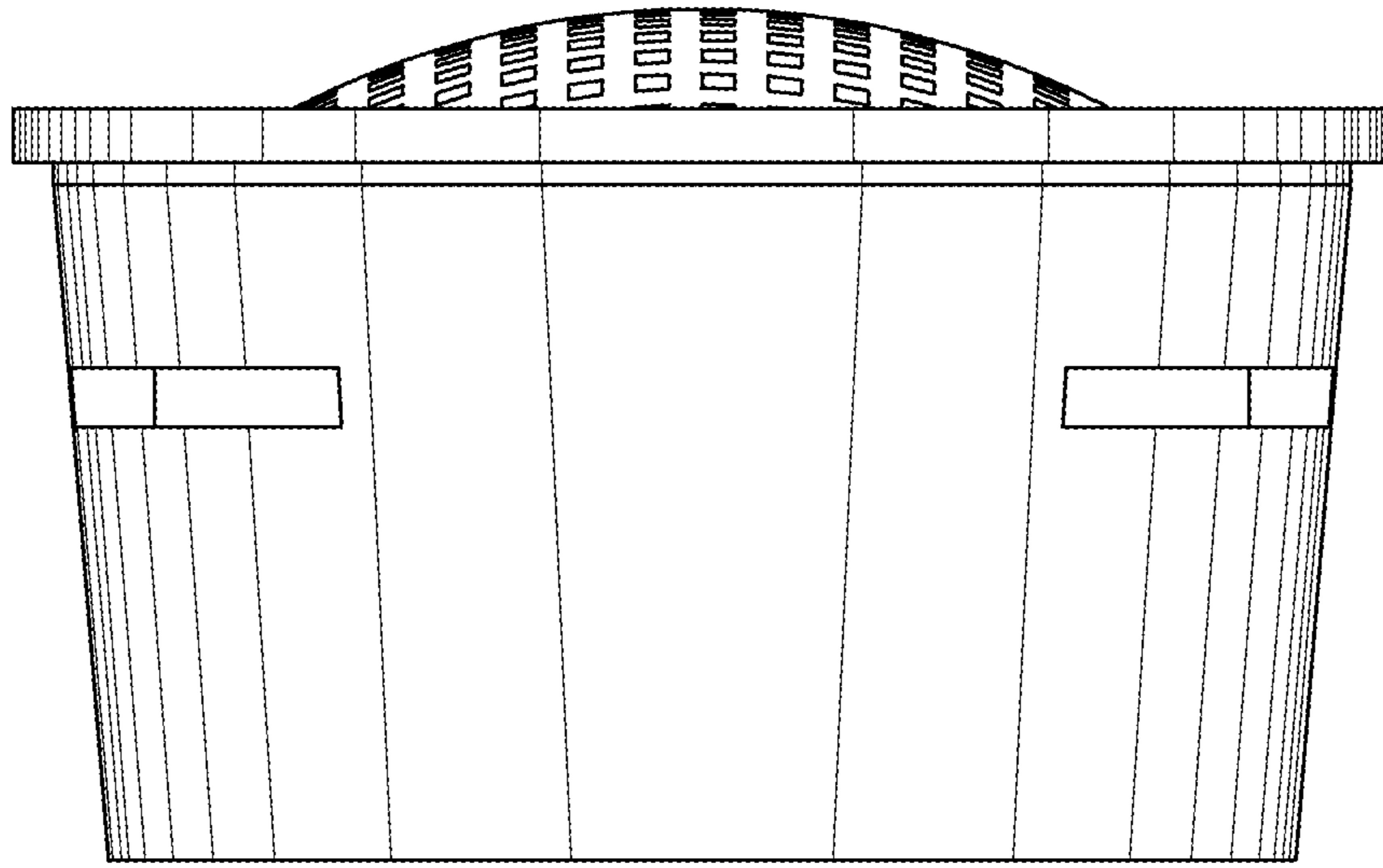


FIG.4

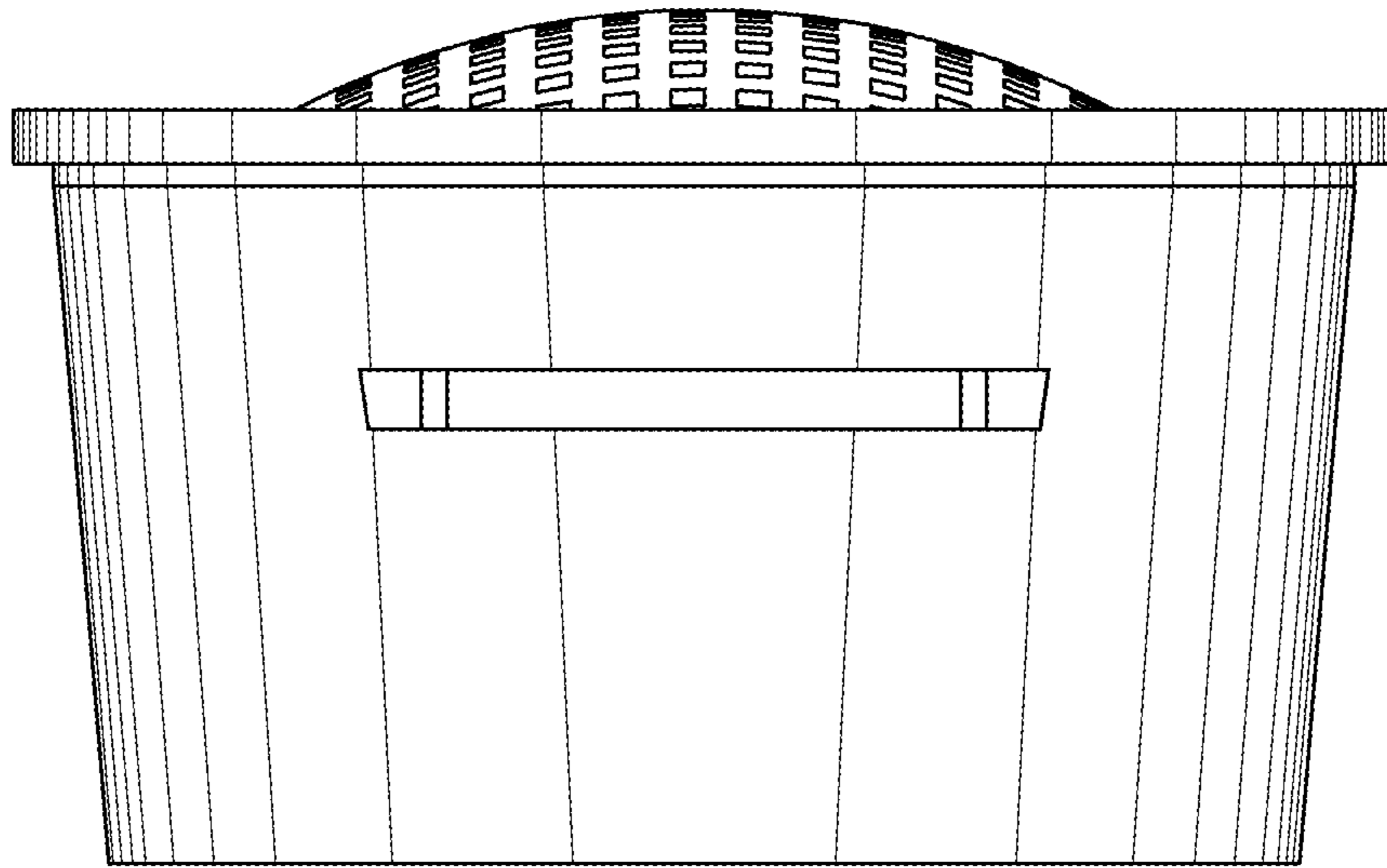


FIG.5

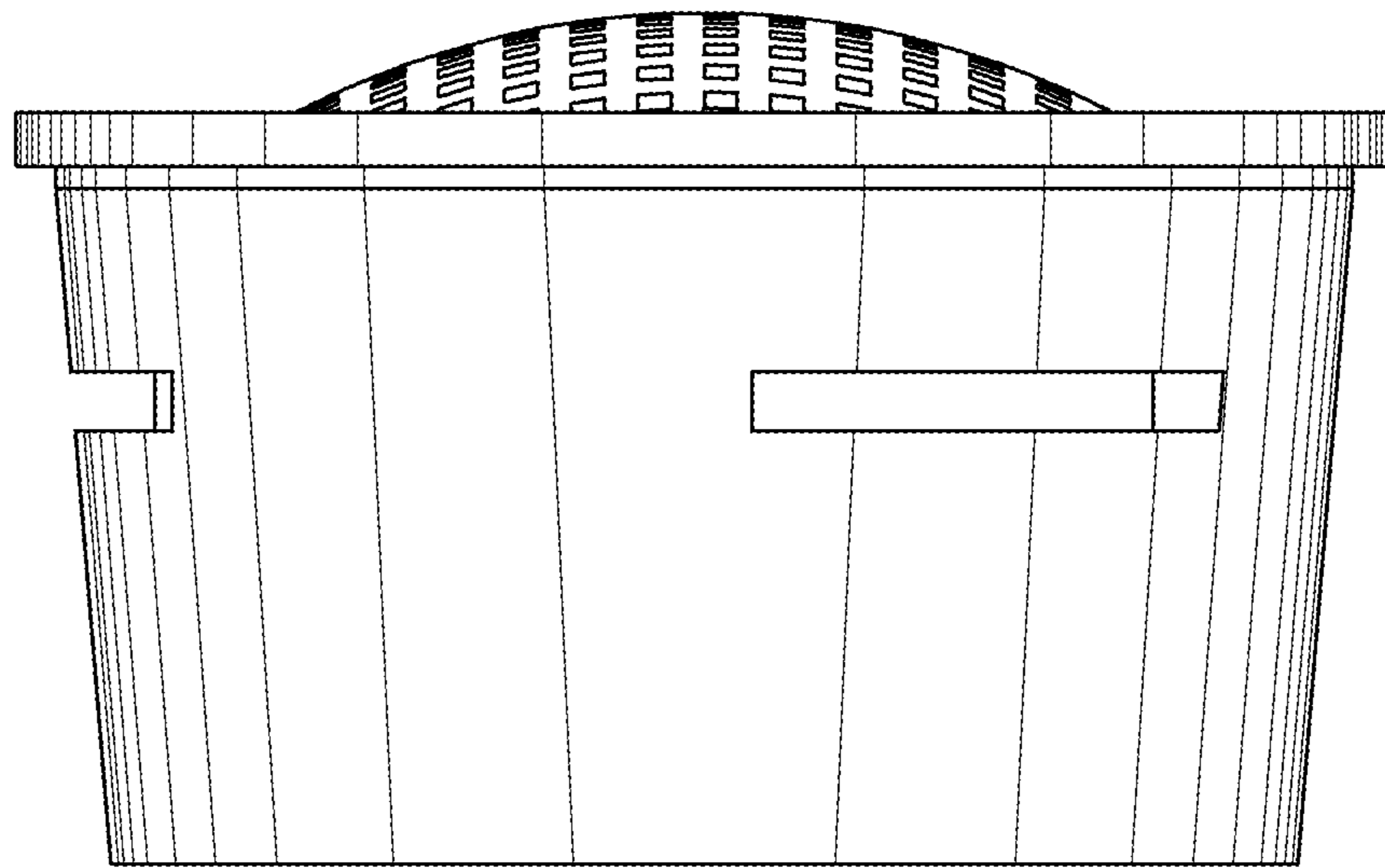


FIG.6



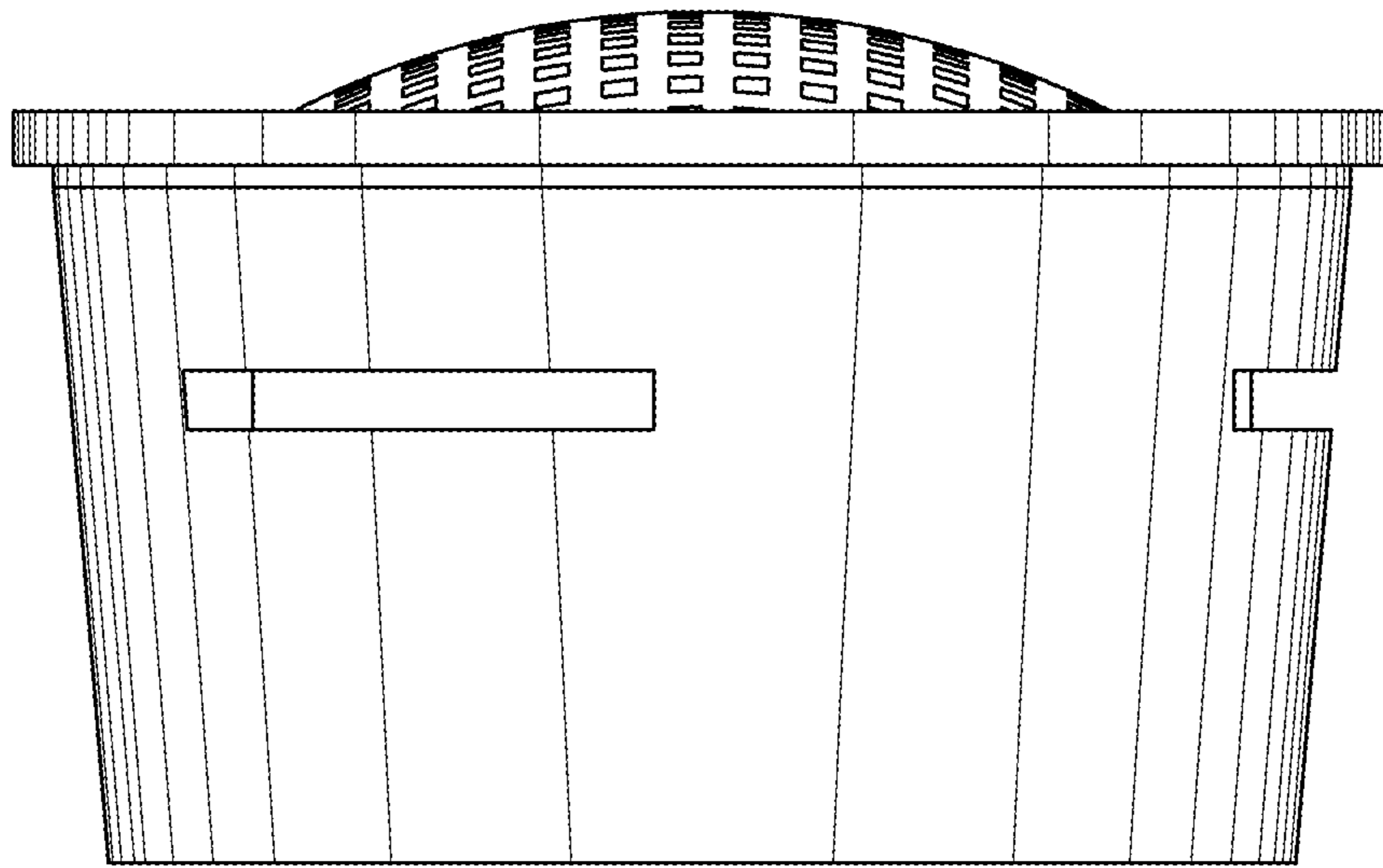


FIG.7

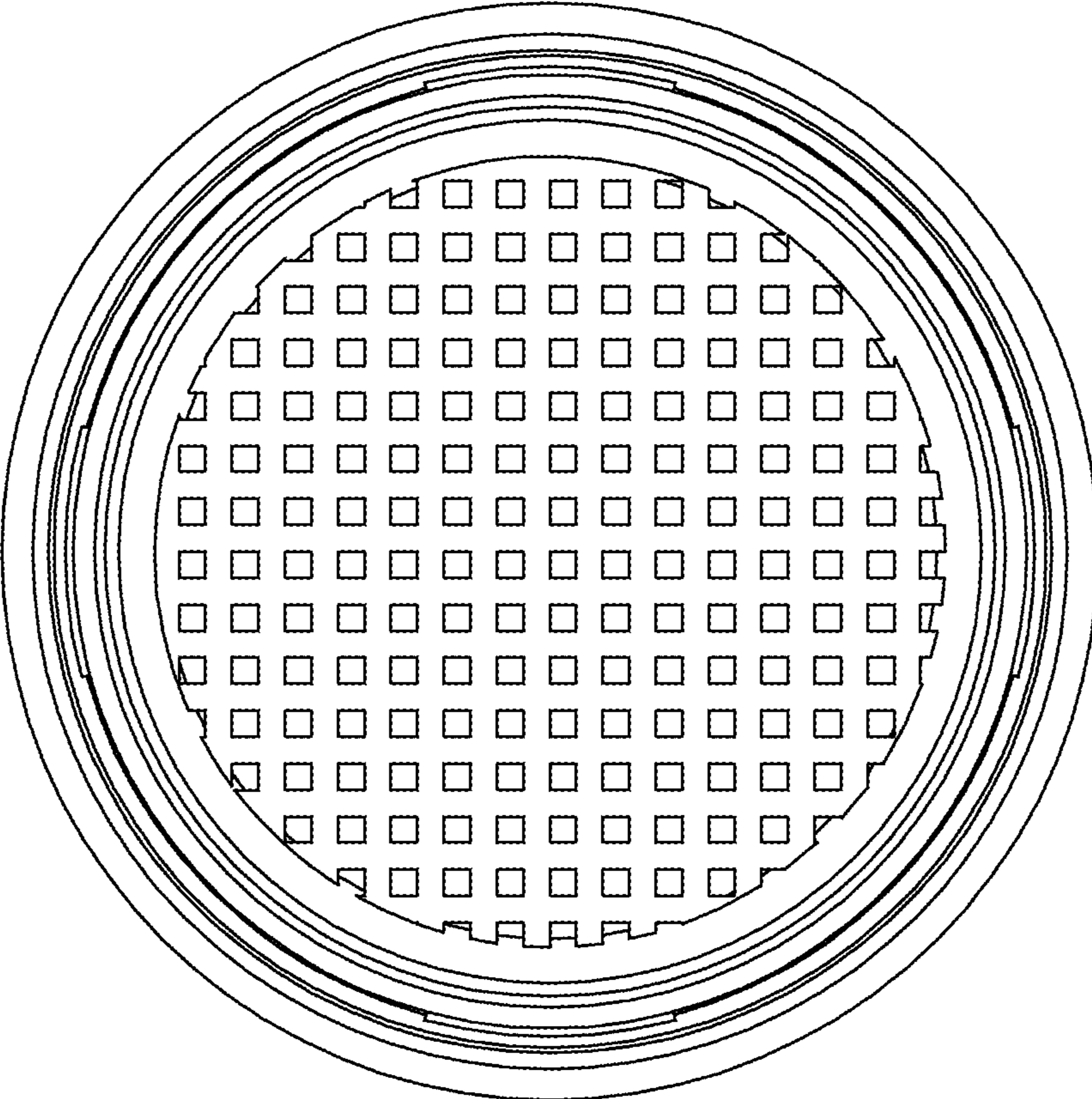


FIG.8

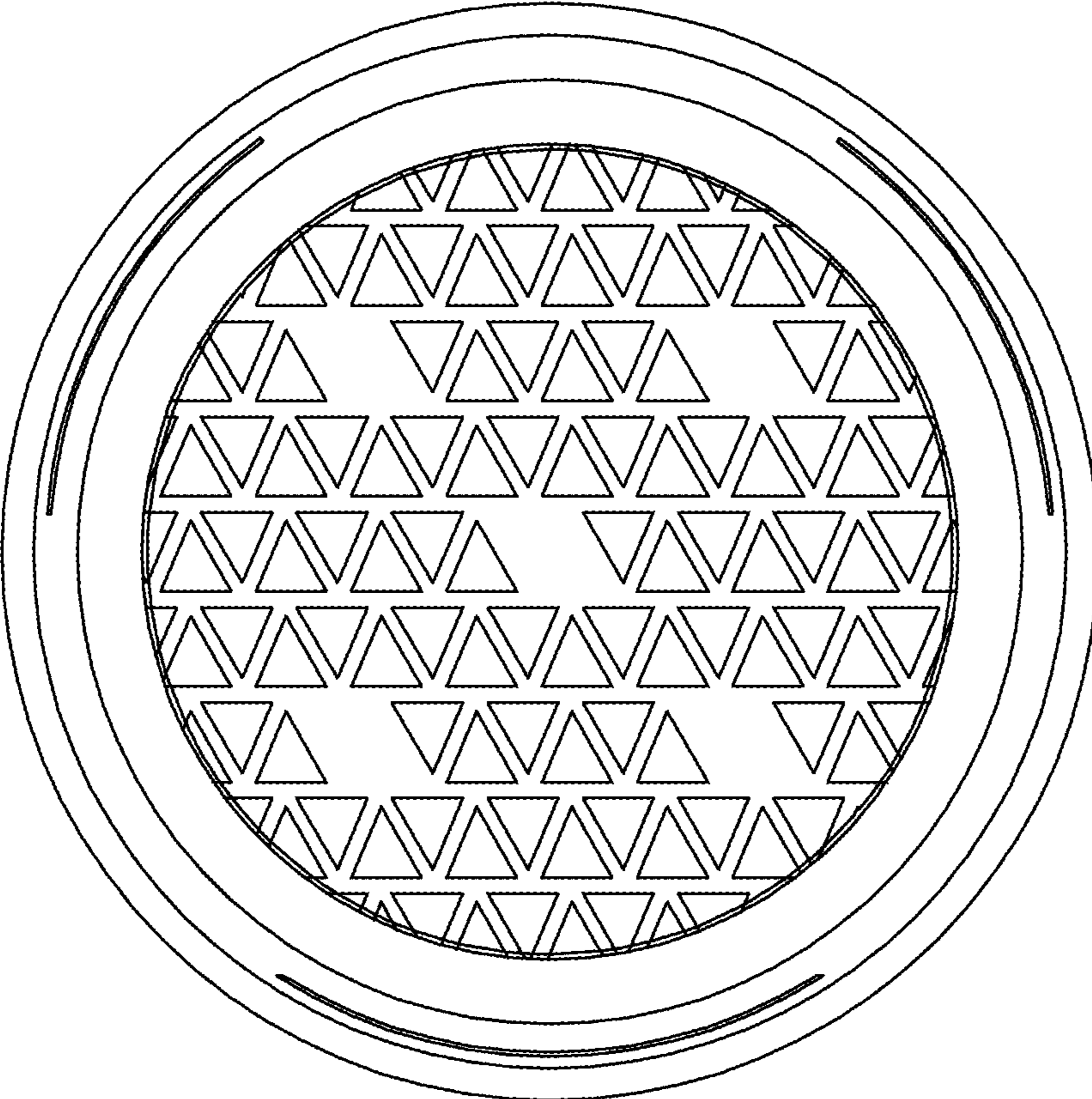


FIG.9