



US00D905198S

(12) **United States Design Patent**
Kemmer

(10) **Patent No.:** **US D905,198 S**

(45) **Date of Patent:** **** Dec. 15, 2020**

(54) **EXTERNAL SELF-CONTAINED WATER
FILTER WITH DIRECT MOUNTING**

(71) Applicant: **Walter Tom Kemmer**, Phoenix, AZ
(US)

(72) Inventor: **Walter Tom Kemmer**, Phoenix, AZ
(US)

(**) Term: **15 Years**

(21) Appl. No.: **29/698,706**

(22) Filed: **Jul. 18, 2019**

(51) **LOC (12) Cl.** **23-01**

(52) **U.S. Cl.**
USPC **D23/209**

(58) **Field of Classification Search**
USPC D23/200, 207, 209, 233, 259; D24/162
CPC B01D 23/00; B01D 61/00; B01D 35/027;
B01D 29/085

See application file for complete search history.

(56) **References Cited**

U.S. PATENT DOCUMENTS

2,772,002	A *	11/1956	Mauro	B01D 24/04 210/445
3,170,872	A *	2/1965	Balogh	B01D 36/003 210/266
3,300,050	A *	1/1967	Perry	B01D 35/153 210/234
5,085,773	A *	2/1992	Danowski	F02M 37/32 210/446
5,092,999	A *	3/1992	Valenzuela	B01D 29/114 210/321.72
5,114,447	A *	5/1992	Davis	B01D 39/2034 55/485
5,342,518	A *	8/1994	Posner	B01D 29/114 210/232
5,443,721	A *	8/1995	Kelada	B01D 29/15 210/232

5,482,618	A *	1/1996	Hall	B01D 35/02 210/85
6,048,456	A *	4/2000	Palmer	B01D 24/001 210/282
6,280,619	B1 *	8/2001	Lacy	B01D 24/001 210/232
D587,360	S *	2/2009	Sakairi	D23/365

(Continued)

OTHER PUBLICATIONS

“SHURFLO 94-009-50 WaterGuard Super Premium Replacement Universal in-Line Filter”, Feb. 15, 2007, Amazon.com, site visited Oct. 21, 2020, <https://www.amazon.com/dp/B000GJVY00/> (Year: 2007).*

(Continued)

Primary Examiner — Jack Reickel

Assistant Examiner — Bobby W Jones, II

(57) **CLAIM**

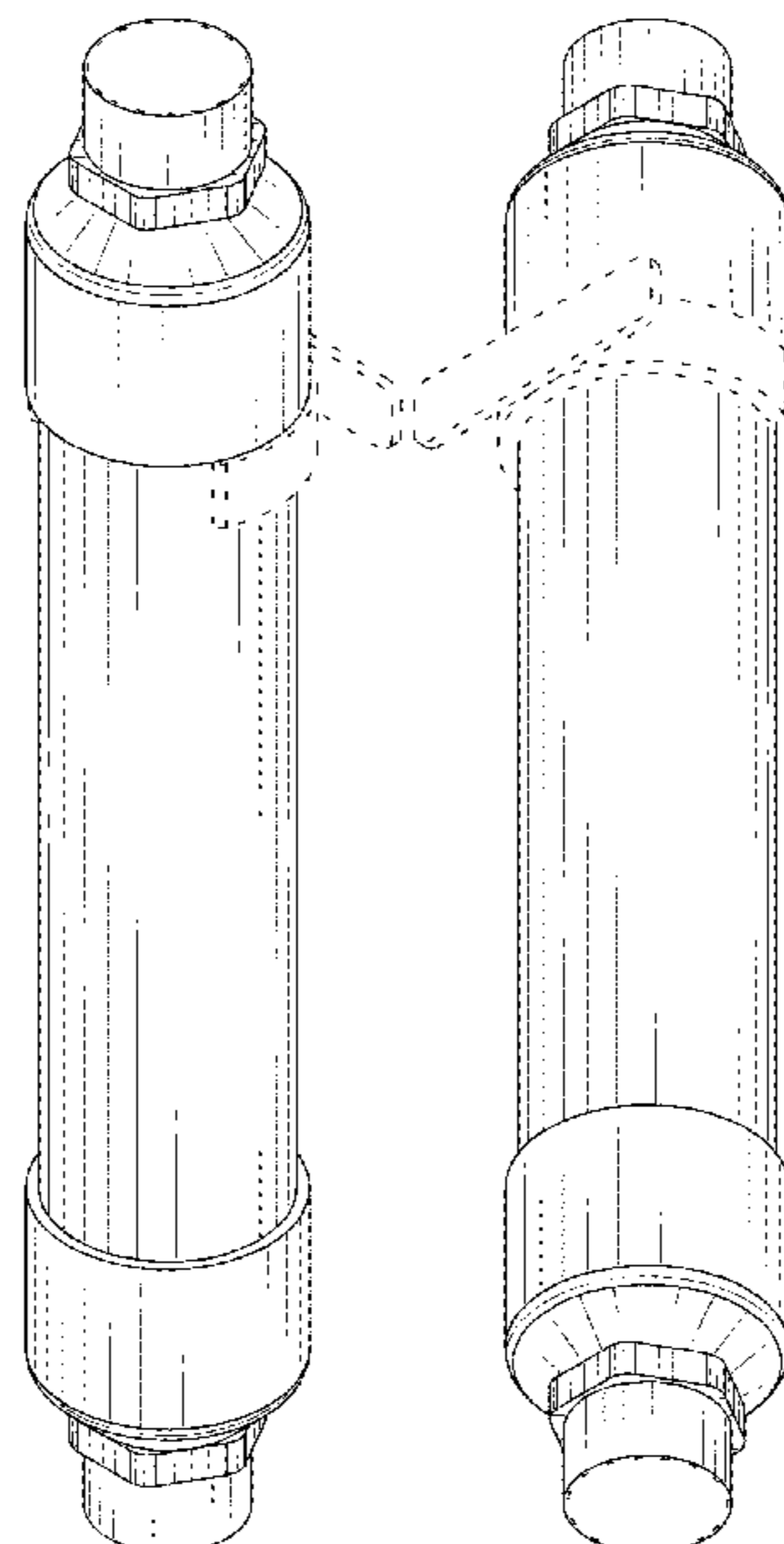
The ornamental design for an external self-contained water filter with direct mounting, as shown and described.

DESCRIPTION

FIG. 1 is a top perspective view of an external self-contained water filter with direct mounting showing my new design; FIG. 2 is a bottom perspective view thereof; FIG. 3 is a front elevated view thereof; FIG. 4 is a rear elevated view thereof; FIG. 5 is an enlarged top plan view thereof; FIG. 6 is an enlarged bottom plan view thereof; FIG. 7 is a right elevated view thereof; and, FIG. 8 is a left elevated view thereof.

The broken lines showing of a mount in FIG. 1-8, and the broken lines showing of an orifice in FIG. 1-2 and FIG. 5-6 are included for the purpose of showing environmental structure and form no part of the claimed design.

1 Claim, 8 Drawing Sheets



(56)

References Cited

U.S. PATENT DOCUMENTS

D614,257	S *	4/2010	Kojima	D23/200
D657,399	S *	4/2012	Nemoto	D15/28
D710,488	S *	8/2014	Alima	D23/363
D717,397	S *	11/2014	Hammarback	D23/209
D735,313	S *	7/2015	Horiguchi	D23/365
D790,053	S *	6/2017	Querrey	D23/393
D813,978	S *	3/2018	Kennard	D23/202
D846,070	S *	4/2019	Zou	D23/209
2009/0032455	A1 *	2/2009	Tada	B01D 63/021 210/451
2009/0107090	A1 *	4/2009	Keel	B01D 46/0012 55/385.4
2015/0191380	A1 *	7/2015	Glass	B01F 5/0463 210/198.1
2015/0354736	A1 *	12/2015	Krupa	F16L 13/02 285/288.5
2018/0050926	A1 *	2/2018	Ruprecht	B01D 27/146
2020/0114283	A1 *	4/2020	Chau	B01D 21/2411

OTHER PUBLICATIONS

“Camco 40045 TastePURE Inline RV Water Filter”, Apr. 1, 2009, Amazon.com, site visited Oct. 21, 2020, <https://www.amazon.com/dp/B0024E6V30/> (Year: 2009).*

MediaGuard® by Canpro, https://www.systematixusa.com/products/media_guard/media_guard.htm.

* cited by examiner

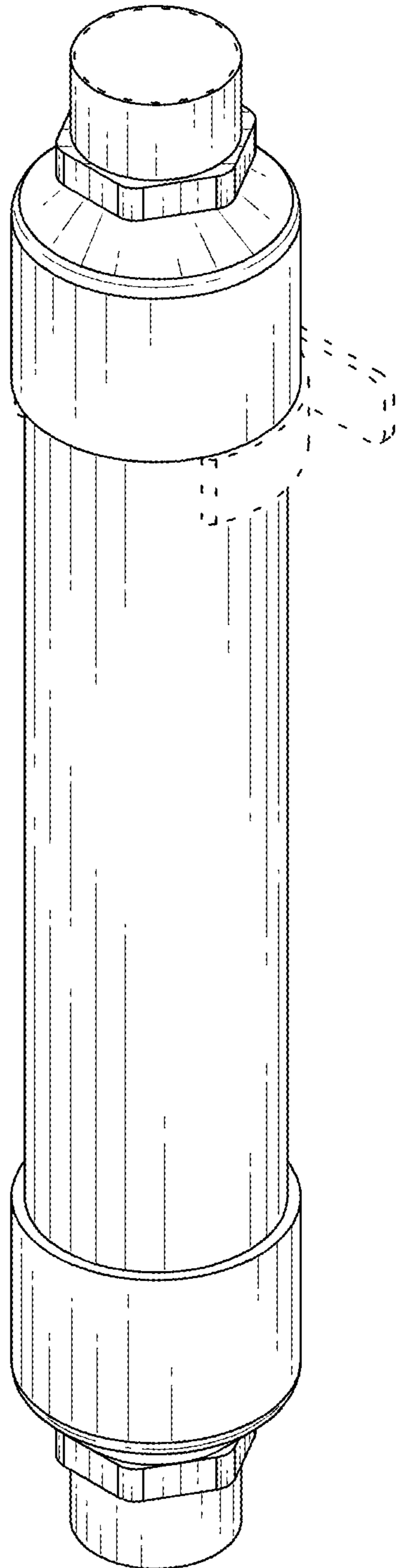


FIG. 1

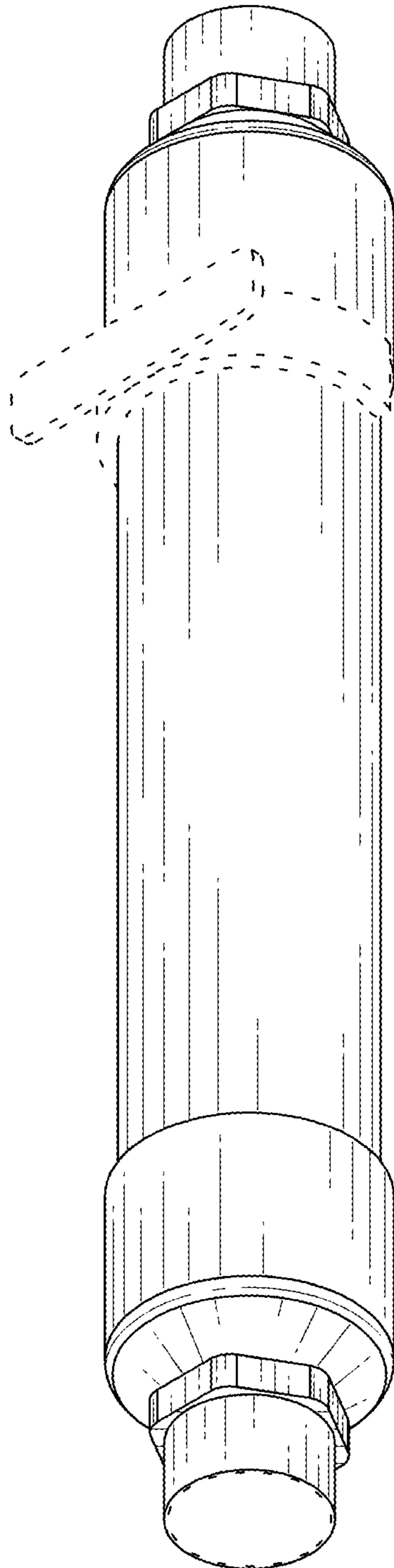


FIG. 2

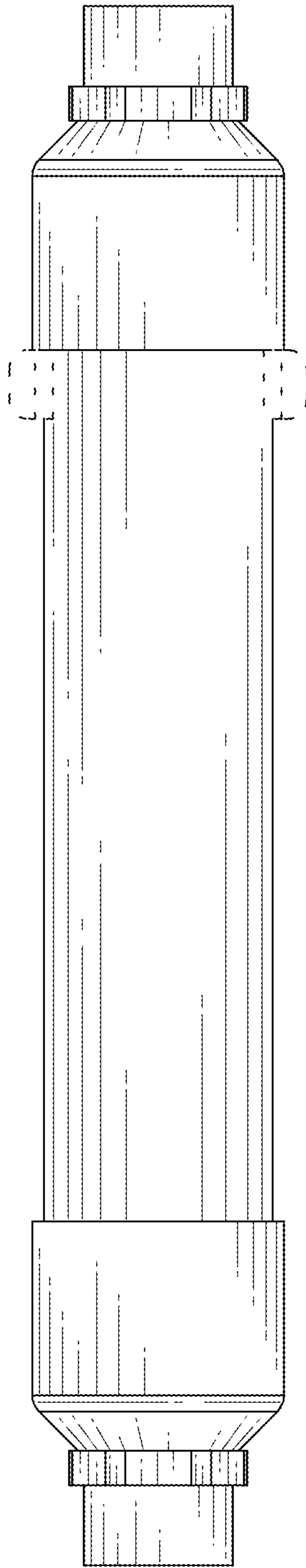


FIG. 3

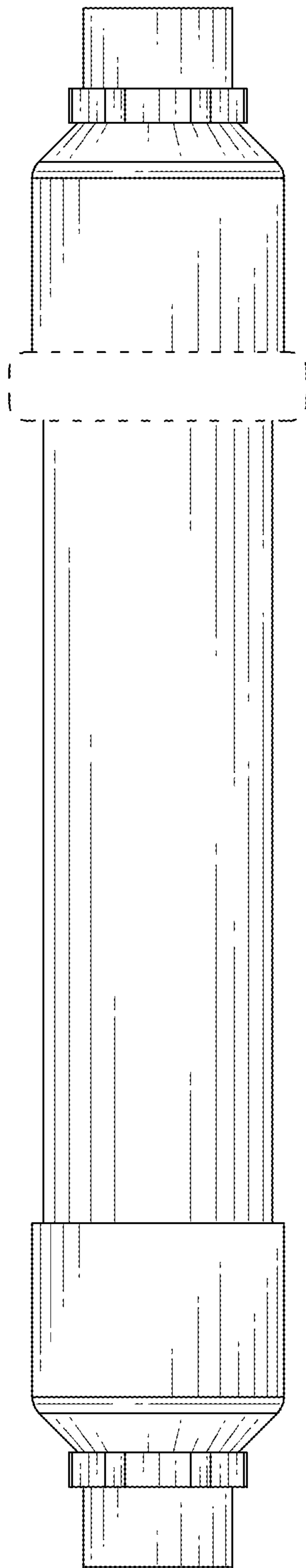


FIG. 4

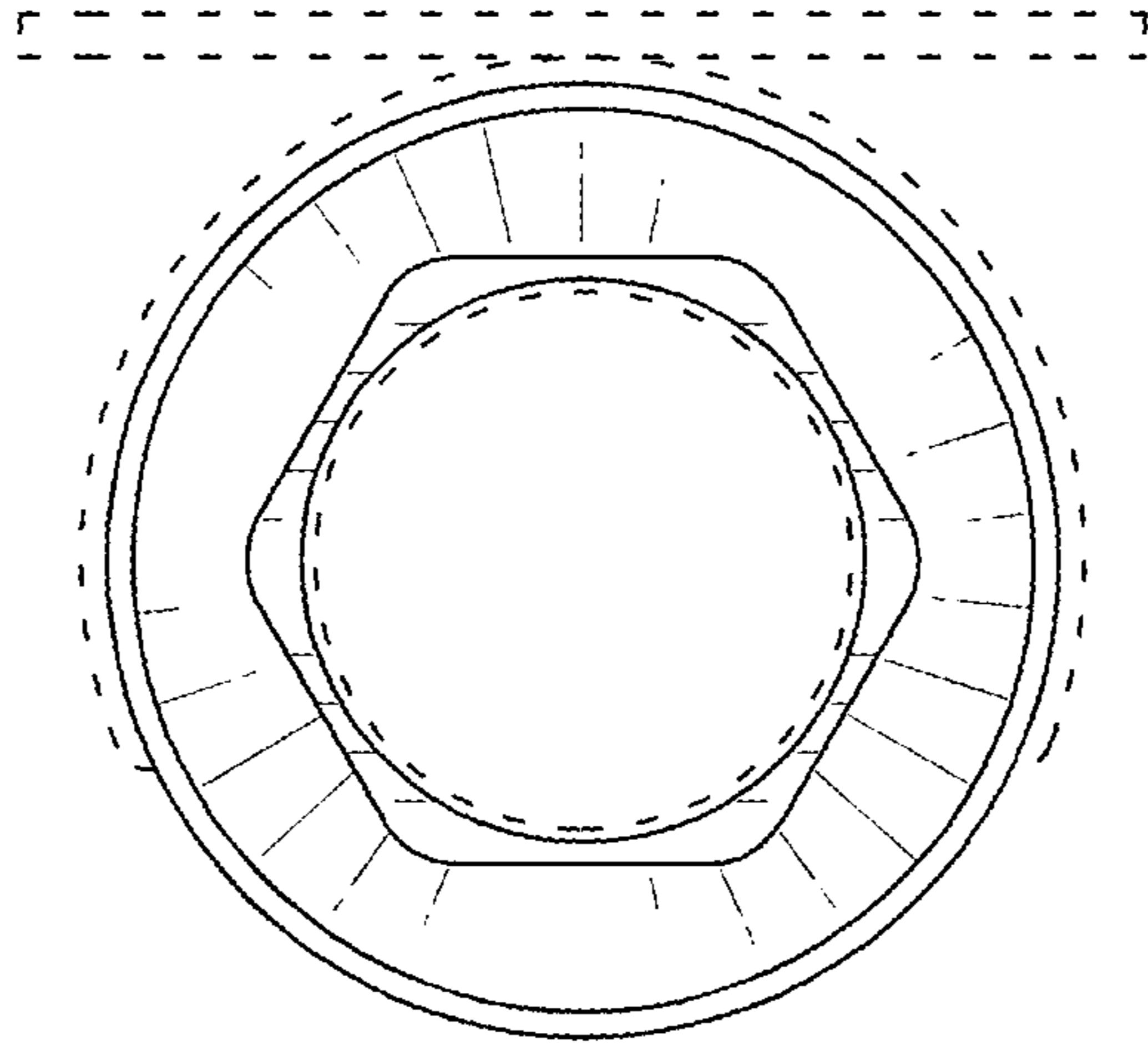


FIG. 5

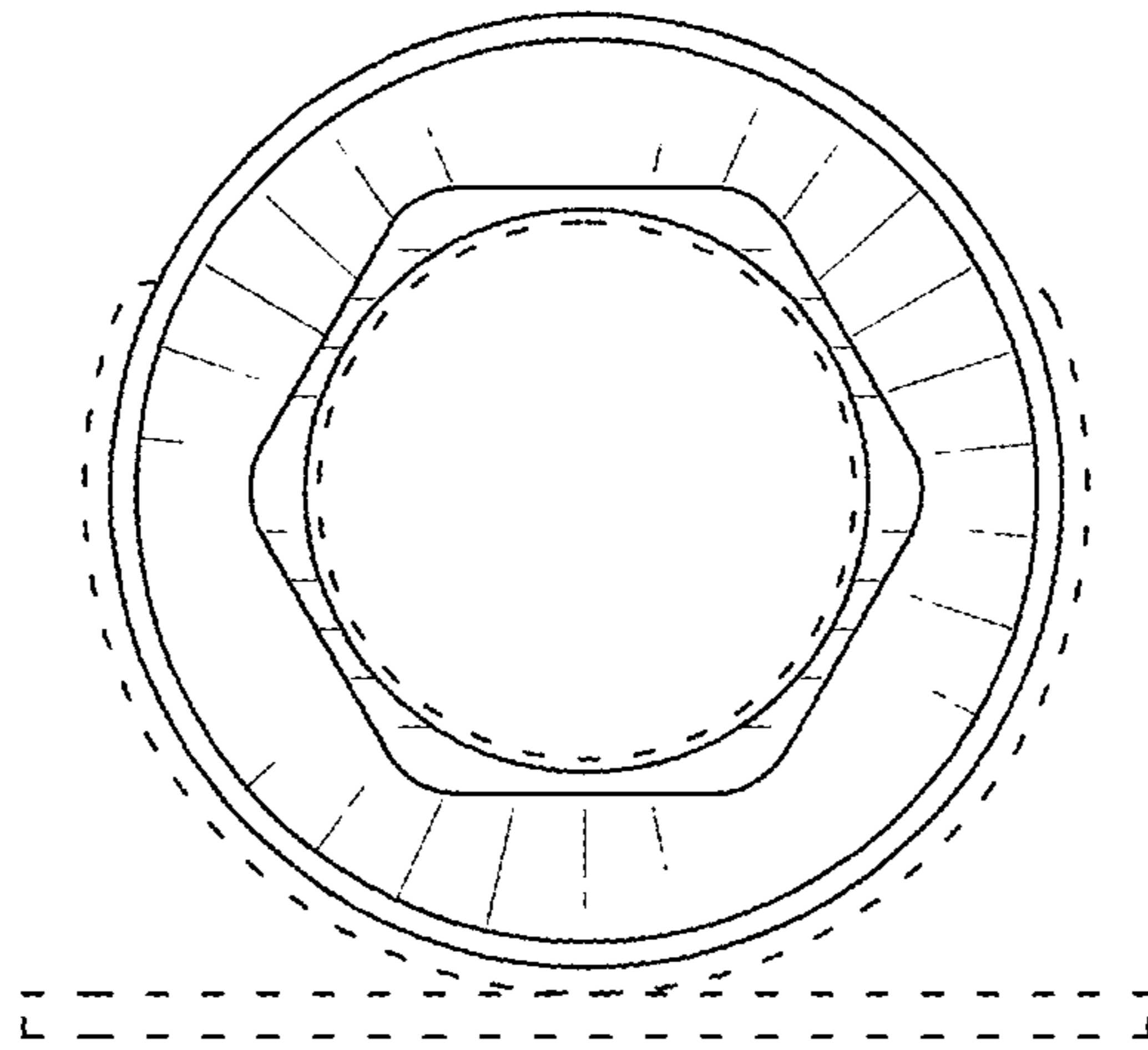


FIG. 6

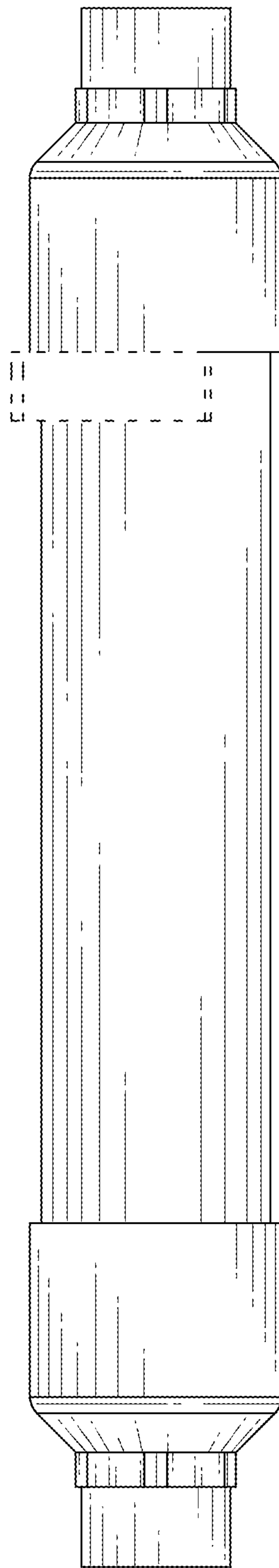


FIG. 7

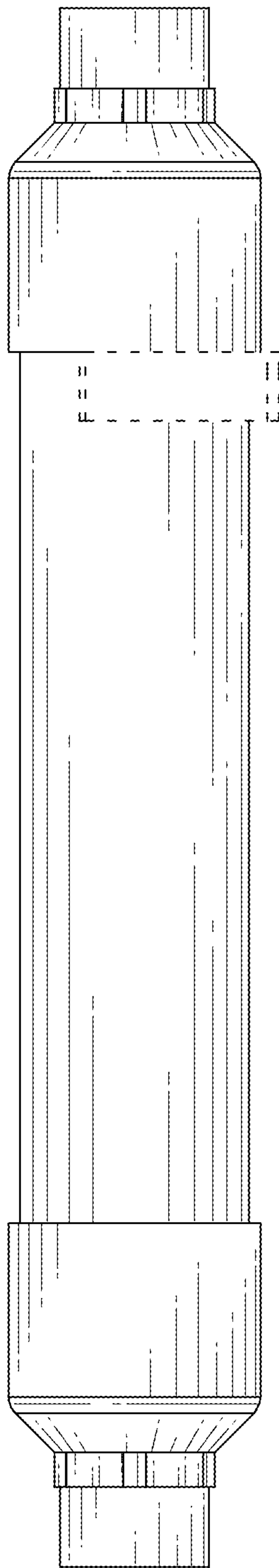


FIG. 8