



US00D905195S

(12) **United States Design Patent**
Chen

(10) **Patent No.:** **US D905,195 S**

(45) **Date of Patent:** **** Dec. 15, 2020**

(54) **BUG ZAPPER**

(71) Applicant: **Qinyu Chen**, Fuzhou (CN)

(72) Inventor: **Qinyu Chen**, Fuzhou (CN)

(**) Term: **15 Years**

(21) Appl. No.: **29/707,551**

(22) Filed: **Sep. 29, 2019**

(51) **LOC (12) Cl.** **22-06**

(52) **U.S. Cl.**
USPC **D22/123**

(58) **Field of Classification Search**
USPC D22/123; 43/65–66, 112–113, 120–121,
43/131, 132.1; D23/366–369;
473/535–537
CPC A01M 25/002; A01M 2200/01; A01M
23/18; A01M 1/04; E04B 1/17; F16M
13/02

See application file for complete search history.

(56) **References Cited**

U.S. PATENT DOCUMENTS

- 3,473,251 A * 10/1969 Kahn A01M 1/04
43/112
- 4,454,677 A * 6/1984 Chuang A01M 1/04
43/112
- D302,578 S * 8/1989 Lee D22/123

- D323,015 S * 1/1992 Brookshire D22/123
- D837,337 S * 1/2019 Lin D22/123
- D868,933 S * 12/2019 Rubel D22/123
- 2005/0266941 A1 * 12/2005 Ashino A63B 49/02
473/535
- 2009/0100743 A1 * 4/2009 Prater A01M 1/223
43/112

* cited by examiner

Primary Examiner — Catherine R Oliver-Garcia

(74) *Attorney, Agent, or Firm* — IPro, PLLC

(57) **CLAIM**

The ornamental design for a bug zapper, as shown and described.

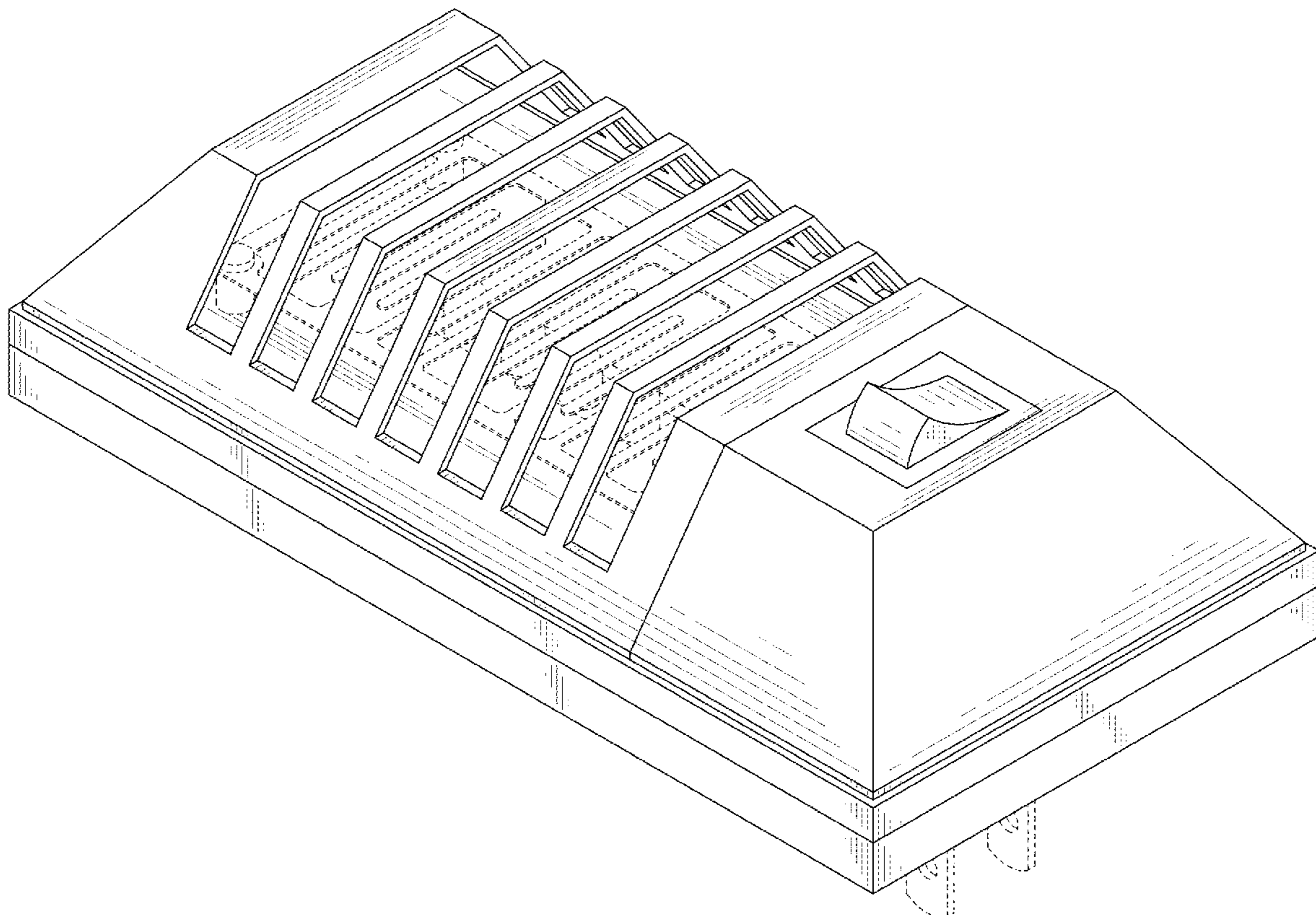
DESCRIPTION

FIG. 1 is a top perspective view of a bug zapper showing my new design;
FIG. 2 is a bottom perspective view thereof;
FIG. 3 is a front elevation view thereof;
FIG. 4 is a rear elevation view thereof;
FIG. 5 is a left side elevation view thereof;
FIG. 6 is a right side elevation view thereof;
FIG. 7 is a top plan view thereof; and,
FIG. 8 is a bottom plan view thereof.

The broken lines in the figures are for environmental purpose only and form no part of the claimed design.

And shading and cross-hatching are not features of the design but are utilized to illustrate the surface contours of the bug zapper in the drawings.

1 Claim, 8 Drawing Sheets



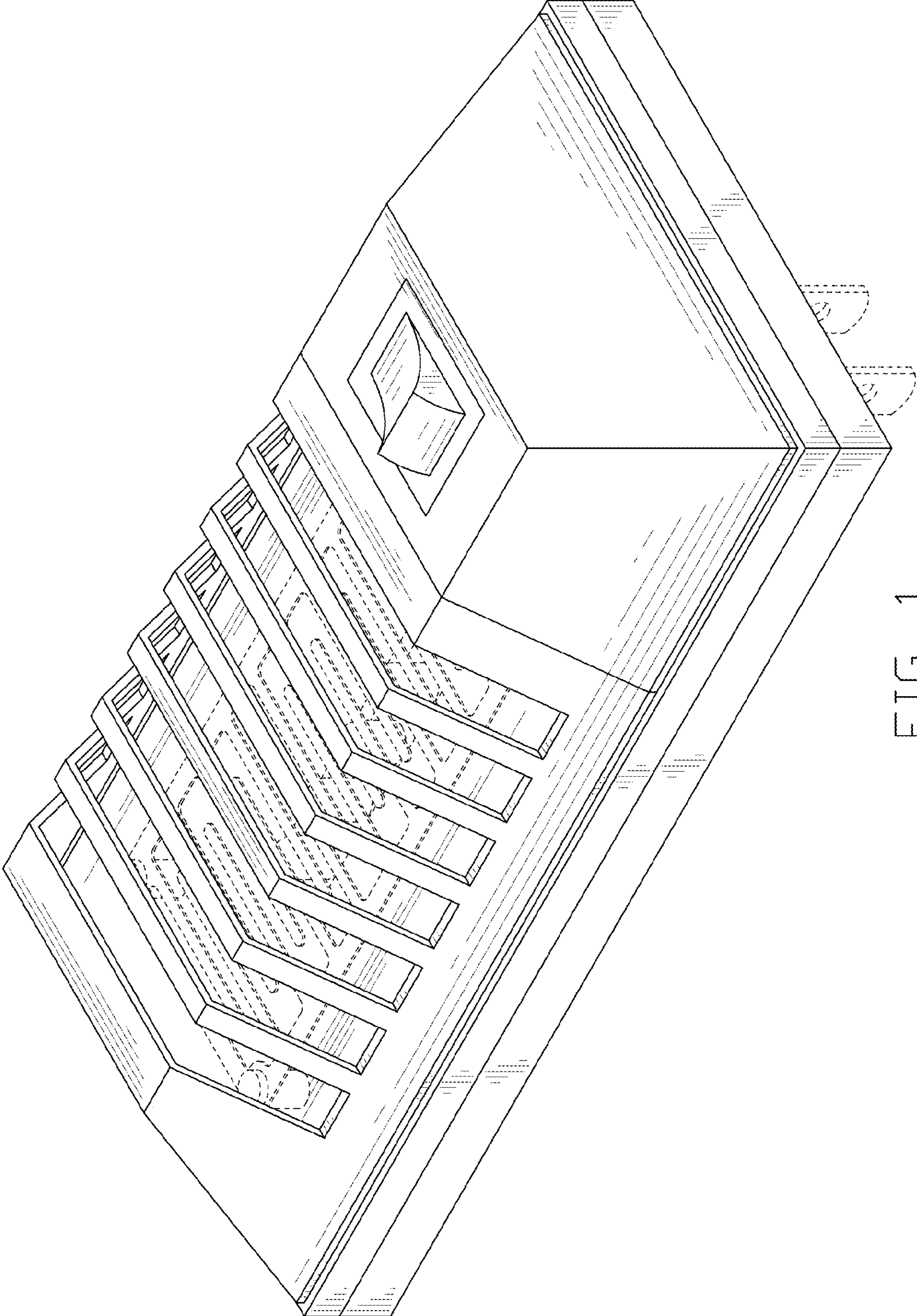


FIG. 1

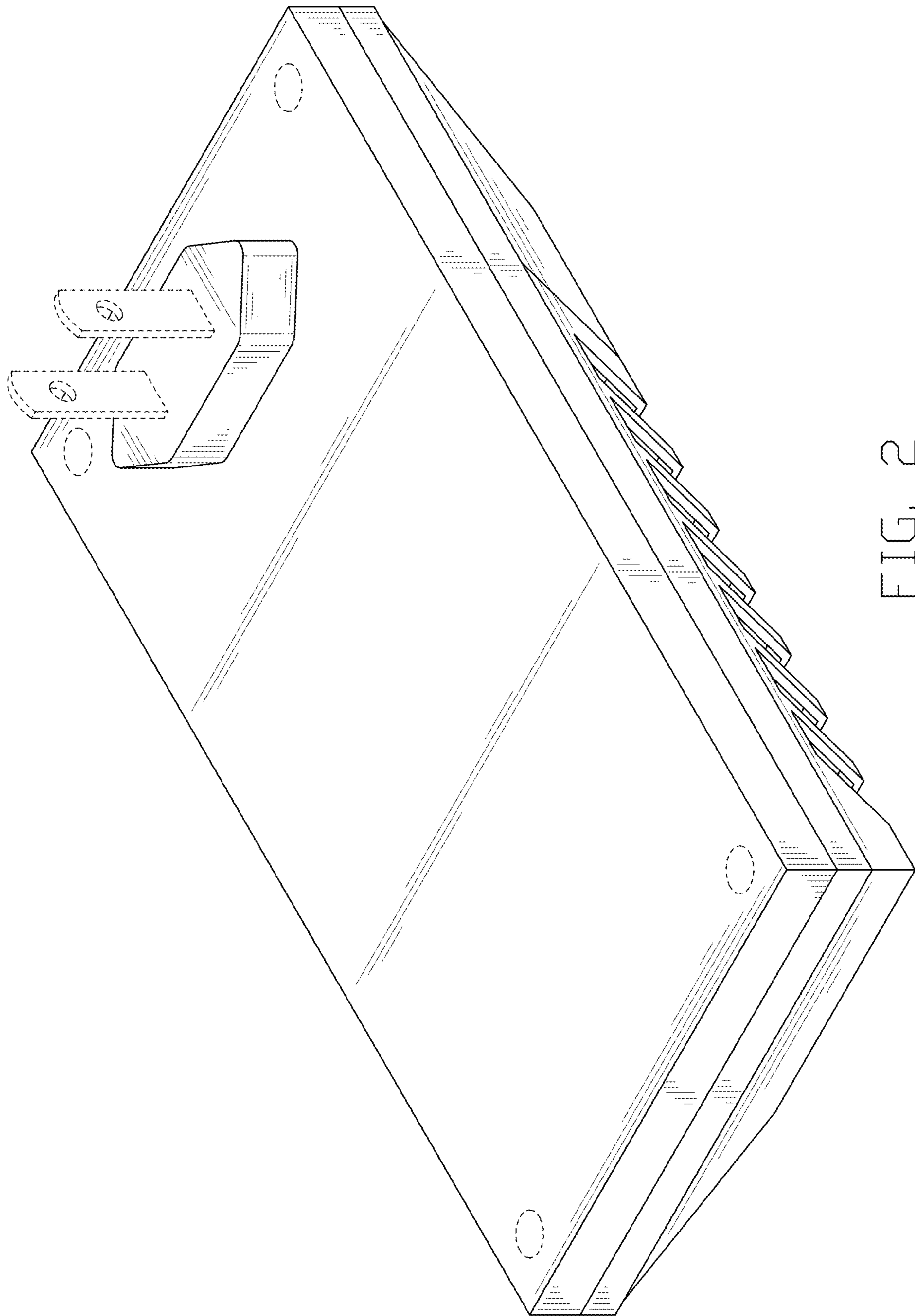


FIG. 2

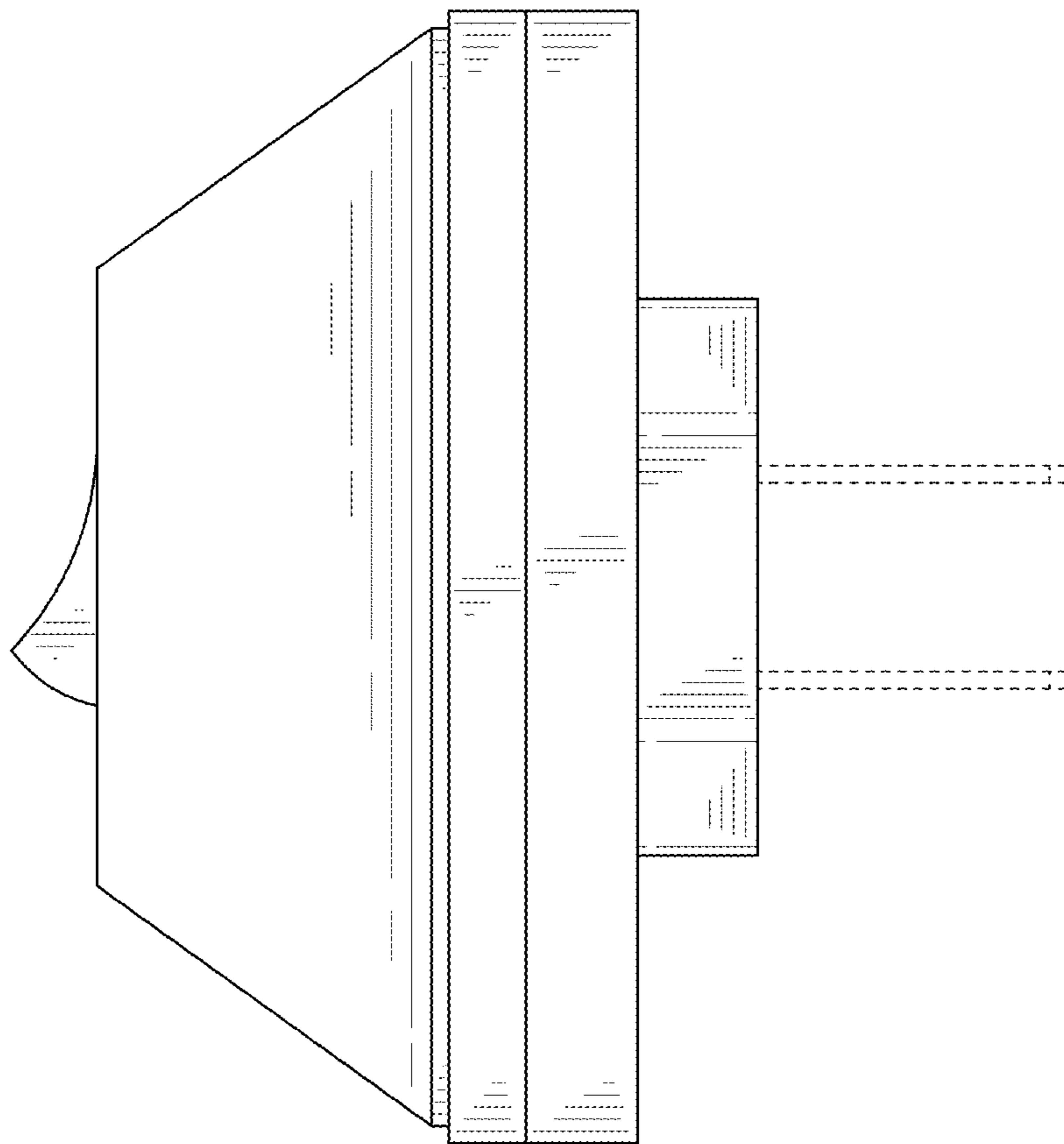


FIG. 3

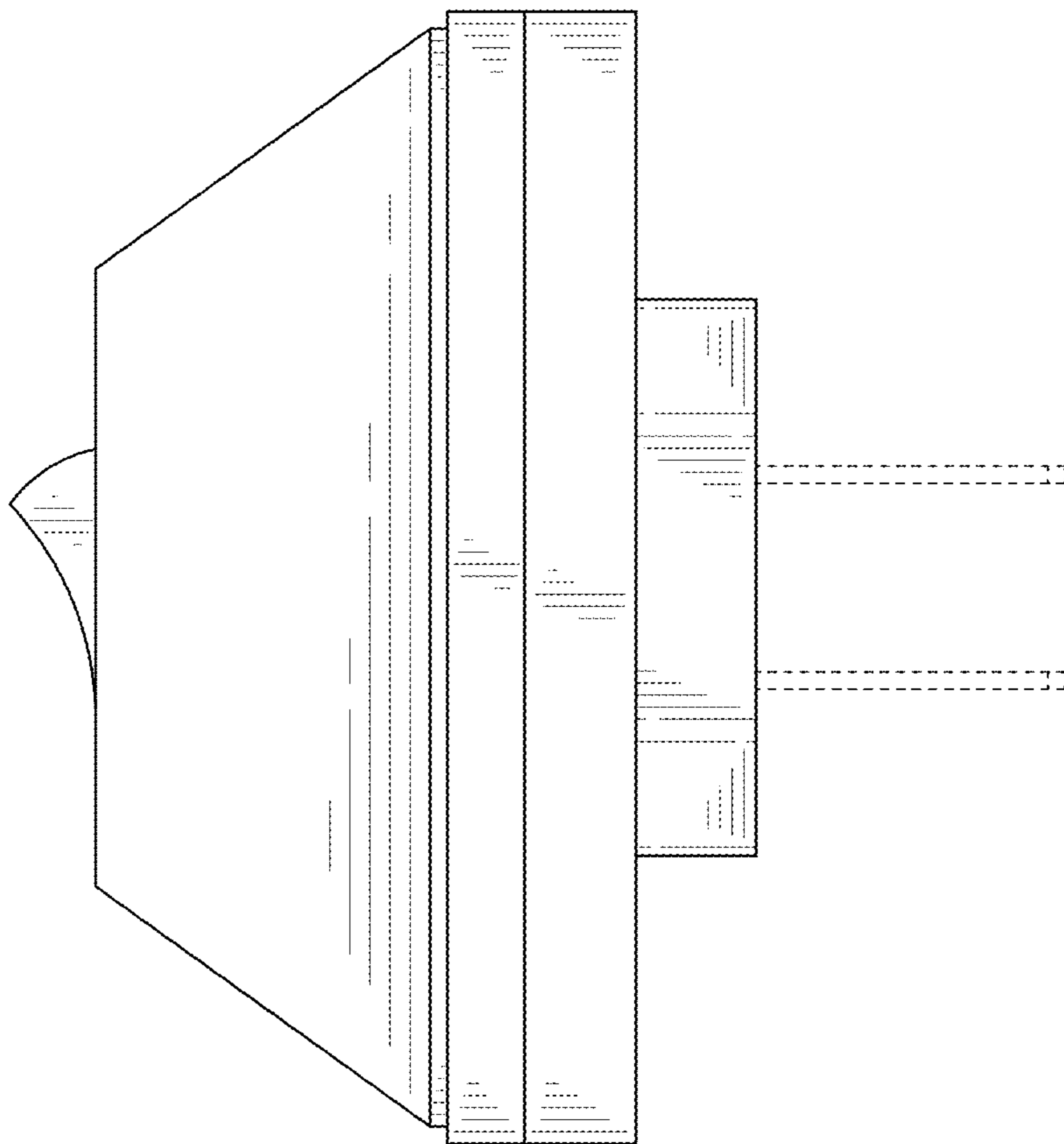


FIG. 4

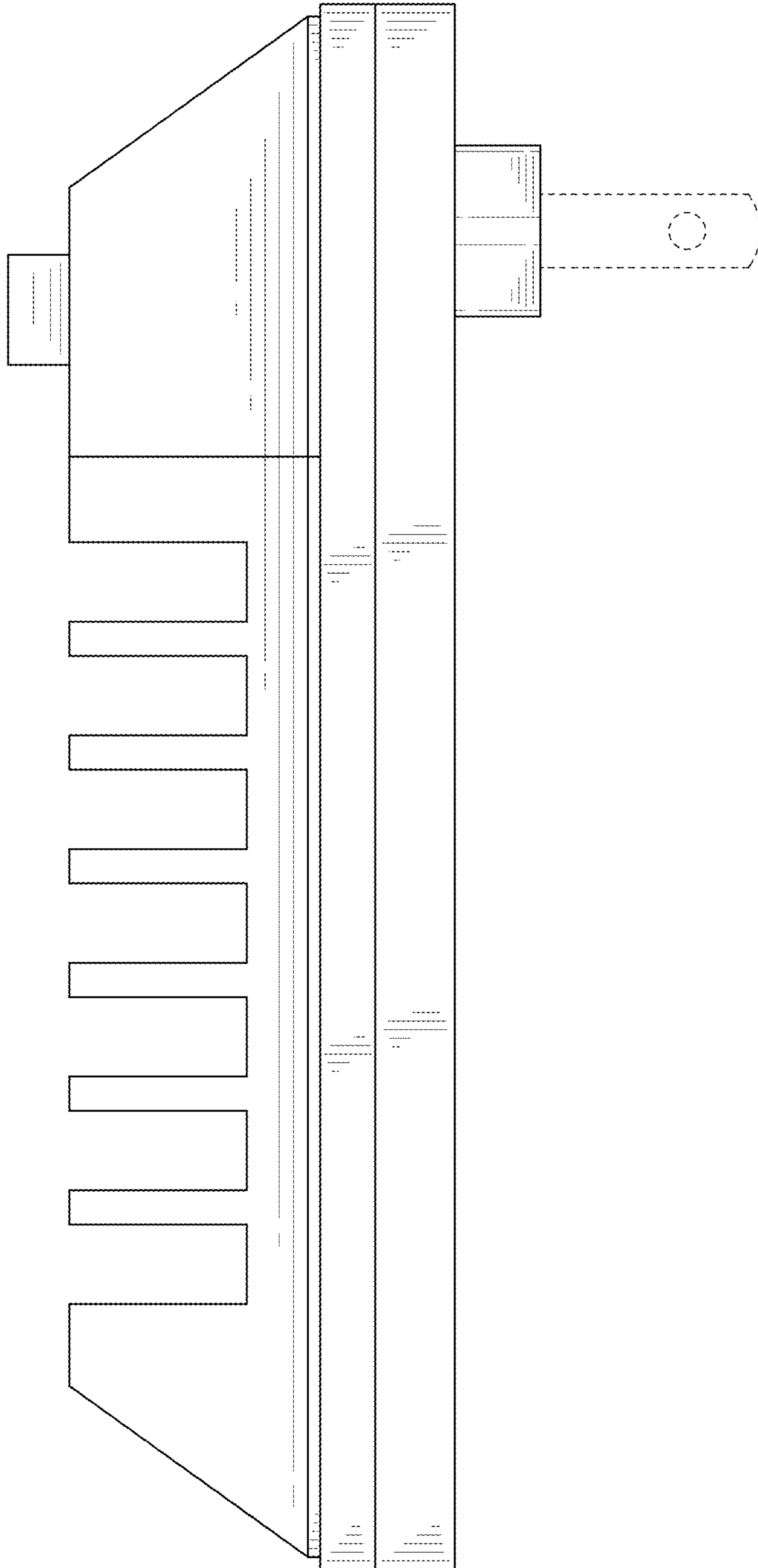


FIG. 5

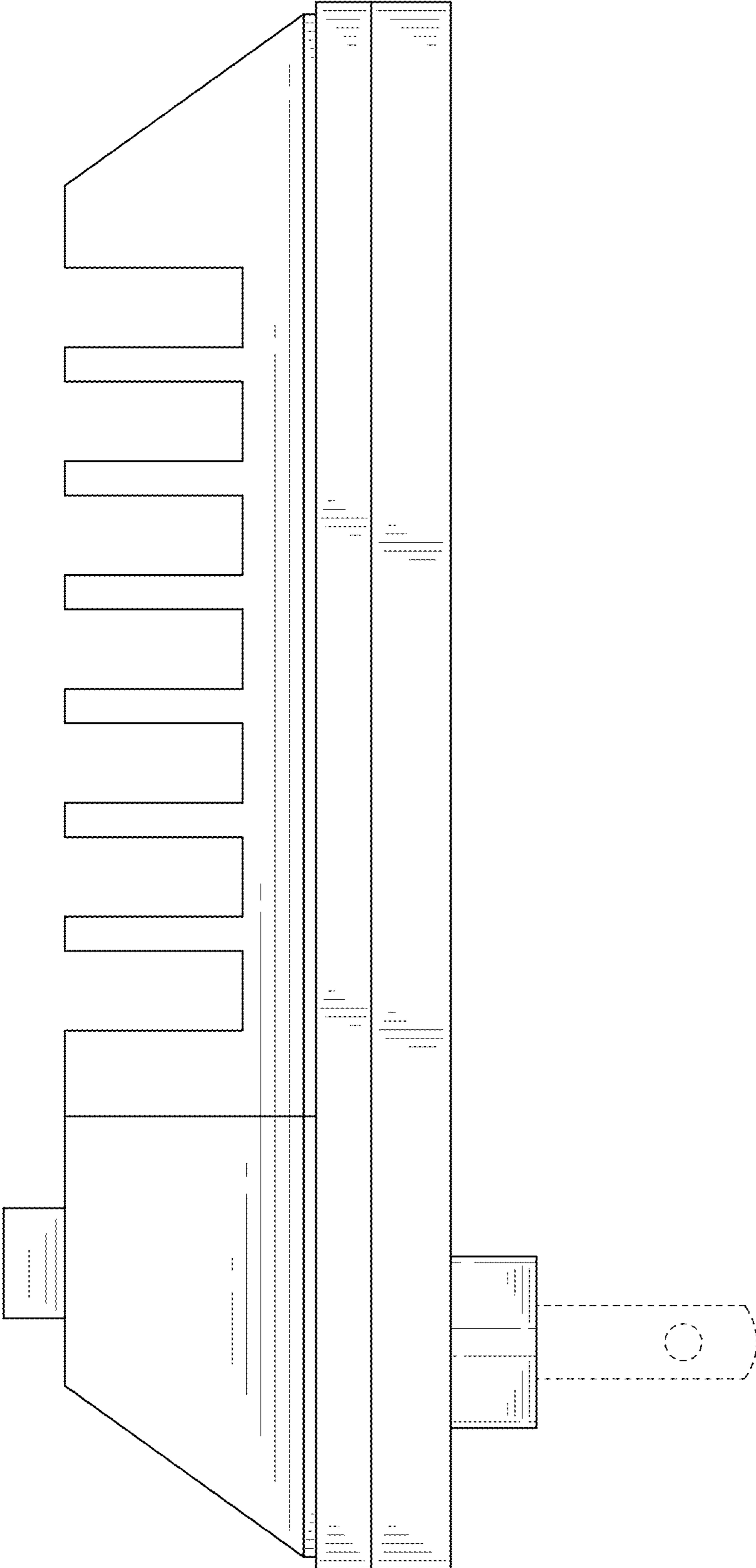


FIG. 6

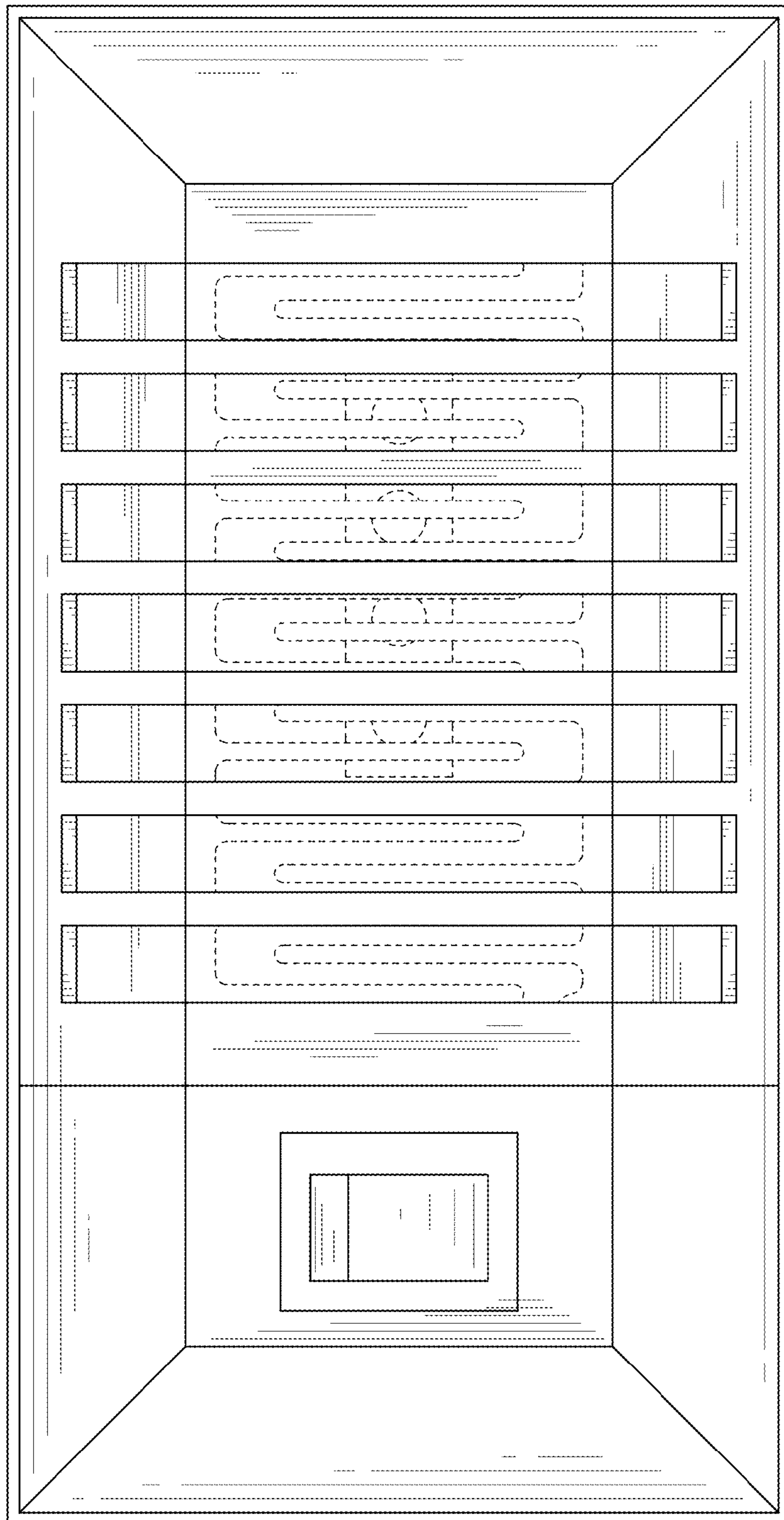


FIG. 7

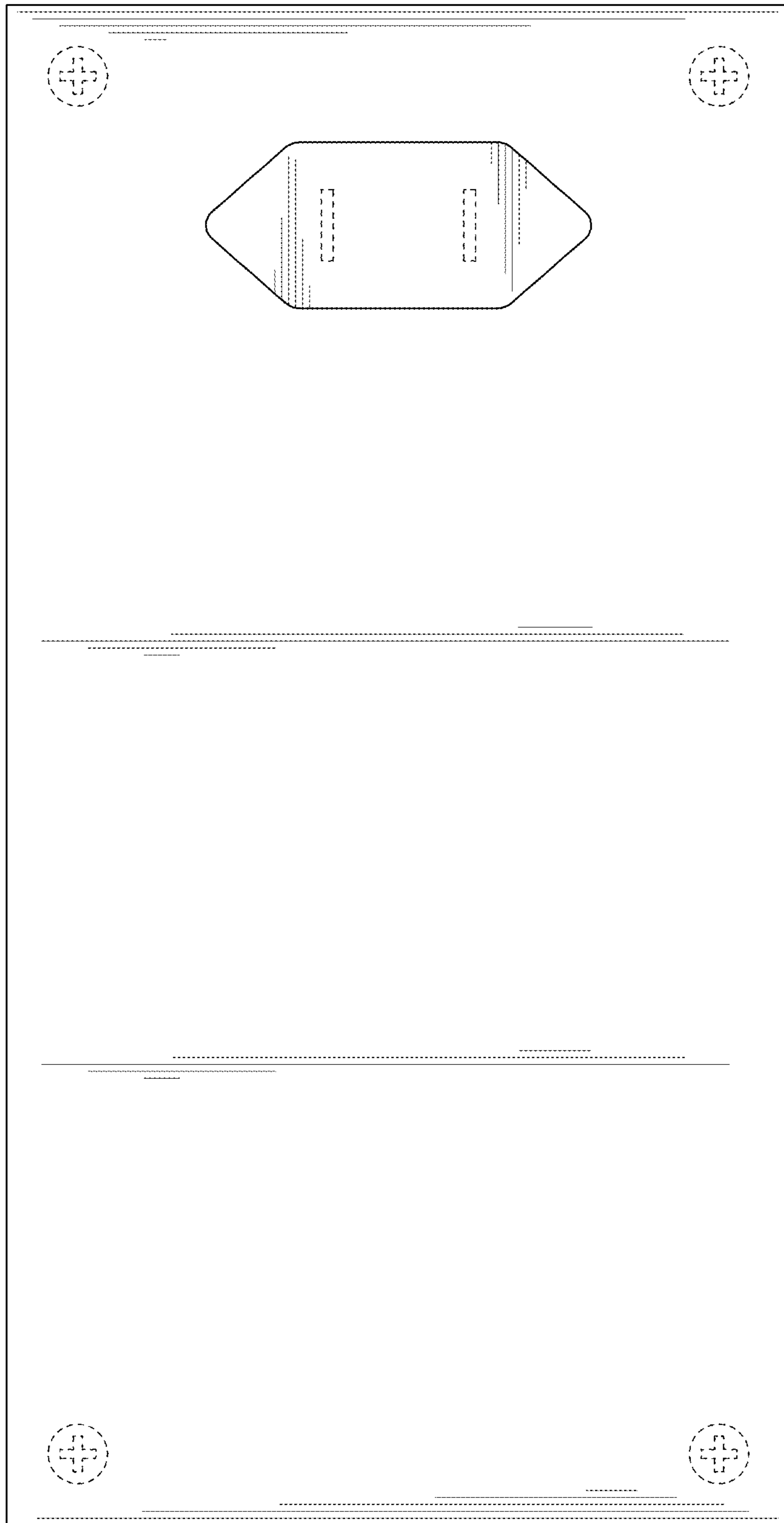


FIG. 8