



US00D905194S

(12) **United States Design Patent** (10) **Patent No.:** **US D905,194 S**
McGrade (45) **Date of Patent:** **** Dec. 15, 2020**

(54) ADJUSTABLE VERMIN TRAP	6,868,633 B2 *	3/2005	Schroedl	A01M 23/26 43/80
(71) Applicant: Michael McGrade , West Covina, CA (US)	7,204,053 B1 *	4/2007	Holtgreffe, Sr.	A01M 23/265 43/88
(72) Inventor: Michael McGrade , West Covina, CA (US)	D623,257 S *	9/2010	Bush	D22/119
(**) Term: 15 Years	8,429,848 B2 *	4/2013	Walsh	A01M 27/00 43/80
(21) Appl. No.: 29/736,060	D759,190 S *	6/2016	Lamongie	D22/119
(22) Filed: May 27, 2020	2004/0025411 A1 *	2/2004	Schroedl	A01M 23/26 43/88
	2006/0150471 A1 *	7/2006	Holtgreffe, Sr.	A01M 27/00 43/88

Related U.S. Application Data

(63) Continuation-in-part of application No. 29/700,122, filed on Jul. 31, 2019.

(51) **LOC (12) Cl.** **22-06**

(52) **U.S. Cl.**
USPC **D22/119**

(58) **Field of Classification Search**
USPC D22/119-120; 43/80-81, 85, 88, 94
CPC A01M 23/24; A01M 23/26; A01M 23/30;
A01M 23/265; A01M 27/00
See application file for complete search history.

References Cited

U.S. PATENT DOCUMENTS

1,284,801 A * 11/1918 Slepicka A01M 23/30
43/81

3,161,984 A * 12/1964 Martin A01M 23/24
43/85

D469,146 S * 1/2003 Schroedl D22/119

OTHER PUBLICATIONS

Mole Eliminator Trap, gemplers.com (Year: 2010).*

* cited by examiner

Primary Examiner — Catherine R Oliver-Garcia

(74) *Attorney, Agent, or Firm* — Mark S Hubert

(57) **CLAIM**

I claim the ornamental design for the adjustable vermin trap, as shown and described.

DESCRIPTION

FIG. 1 is a perspective view of the adjustable vermin trap showing my new design;

FIG. 2 is a left-side view of the adjustable vermin trap;

FIG. 3 is a right-side view of the adjustable vermin trap;

FIG. 4 is a front view of the adjustable vermin trap;

FIG. 5 is a rear view of the adjustable vermin trap;

FIG. 6 is a top view of the adjustable vermin trap; and,

FIG. 7 is a bottom view of the adjustable vermin trap.

1 Claim, 7 Drawing Sheets

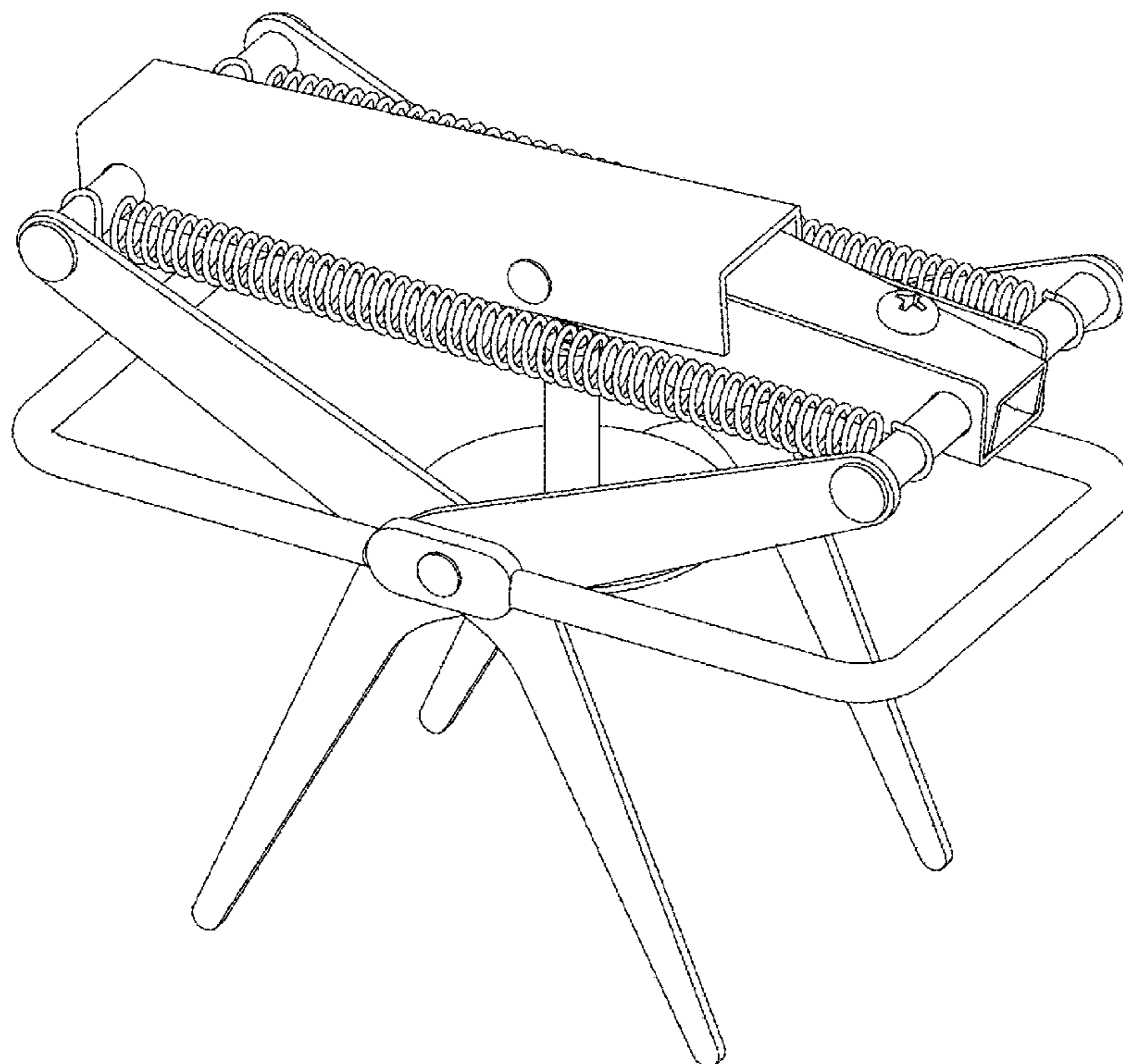


Figure 1

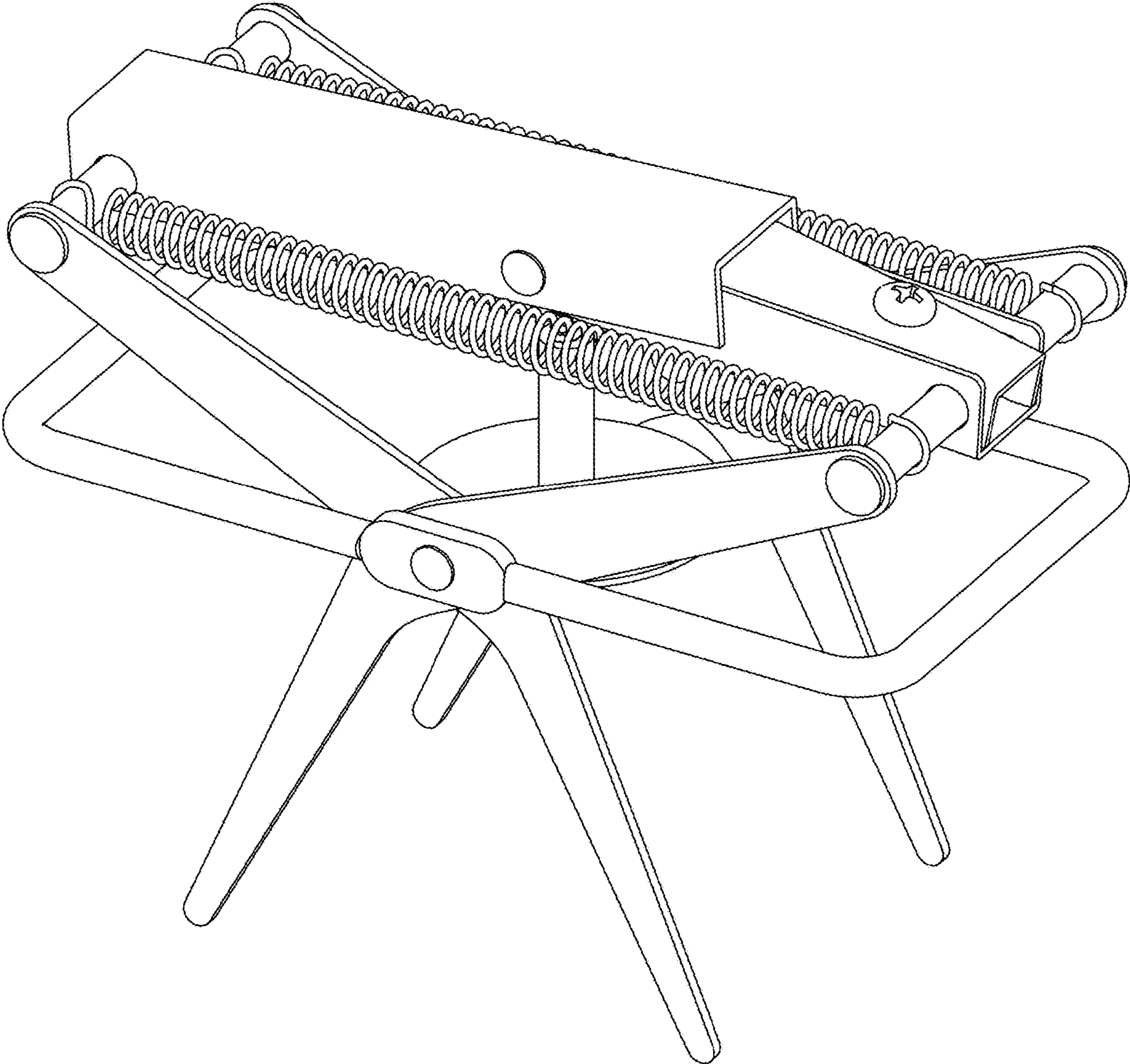


Figure 2

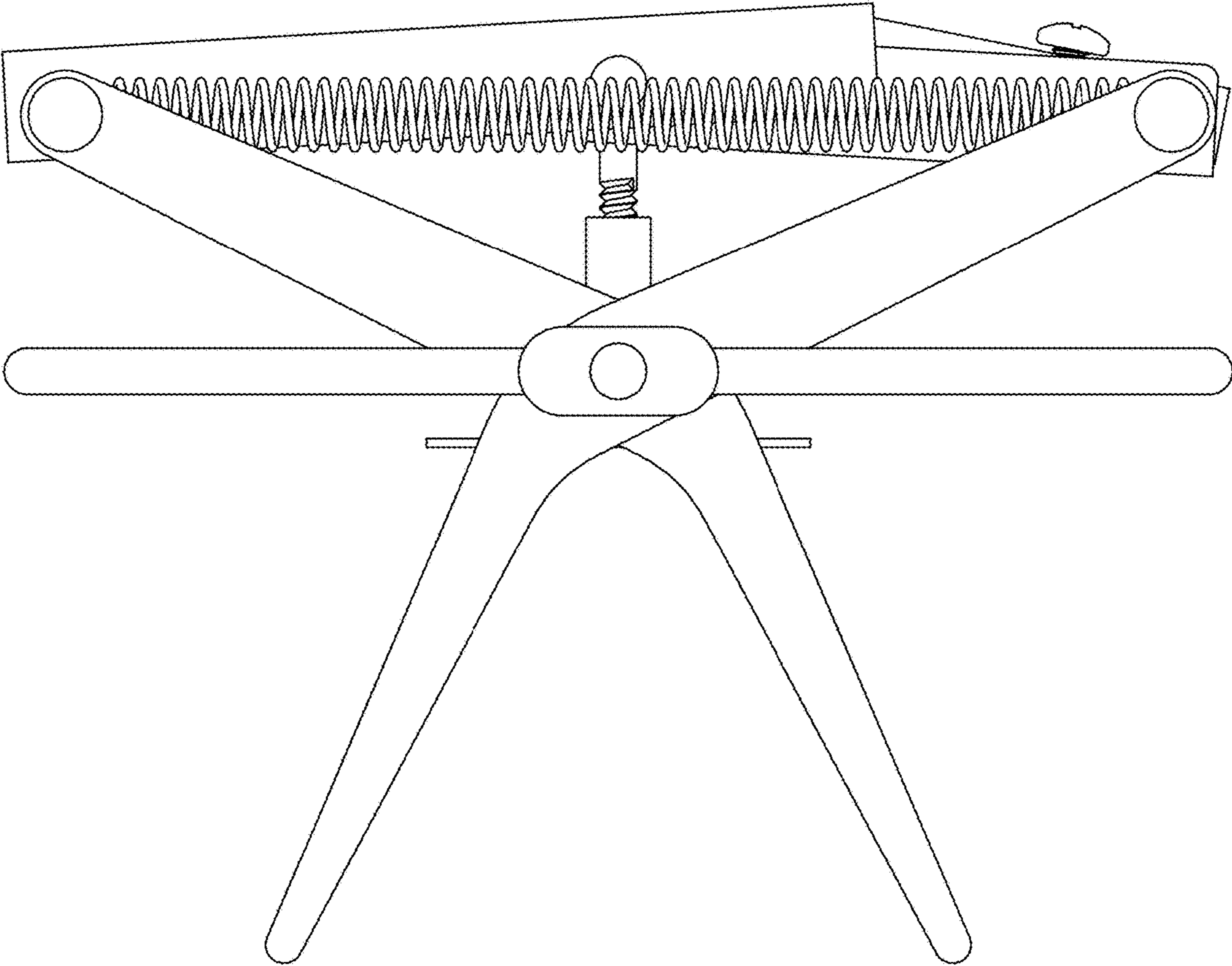


Figure 3

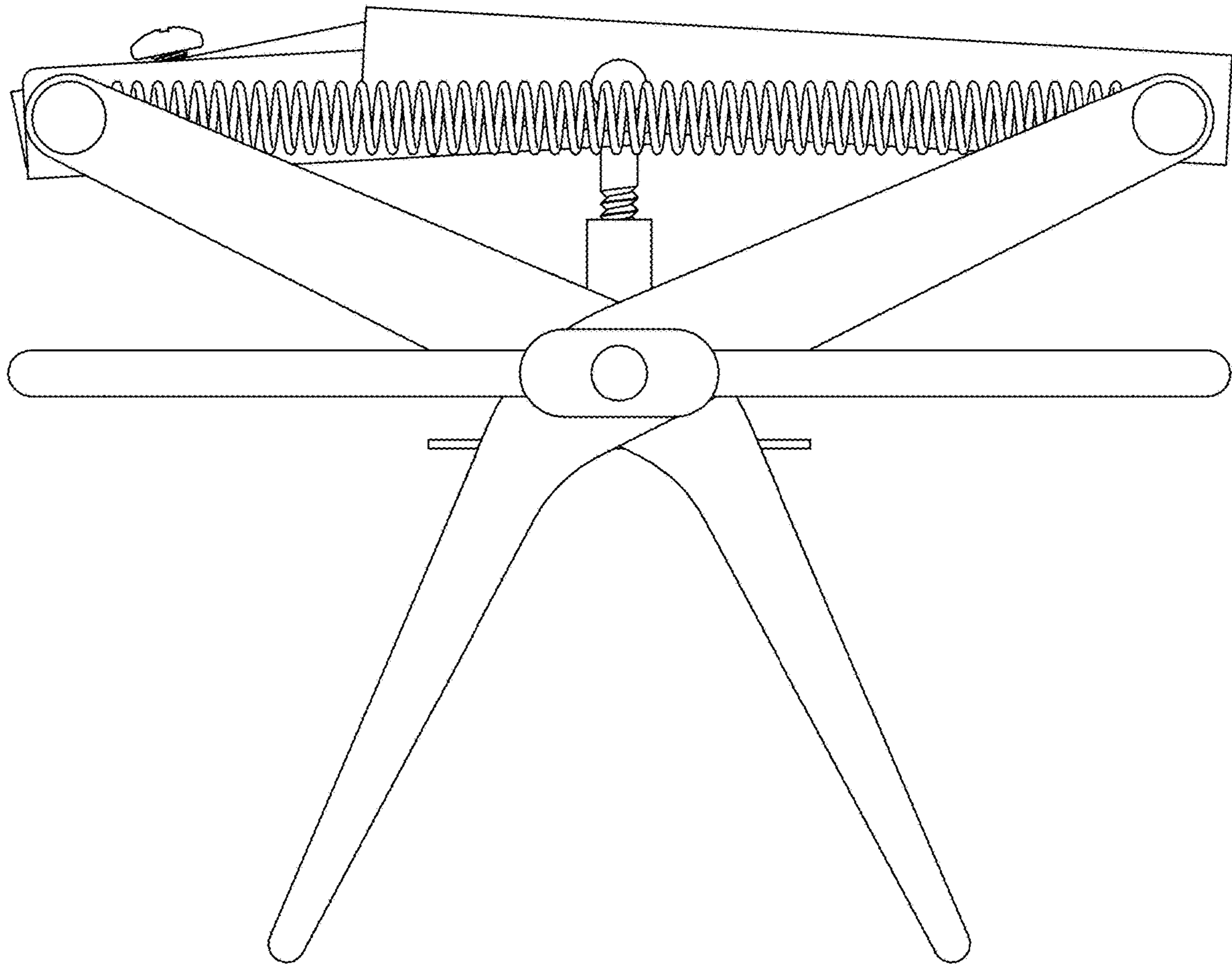


Figure 4

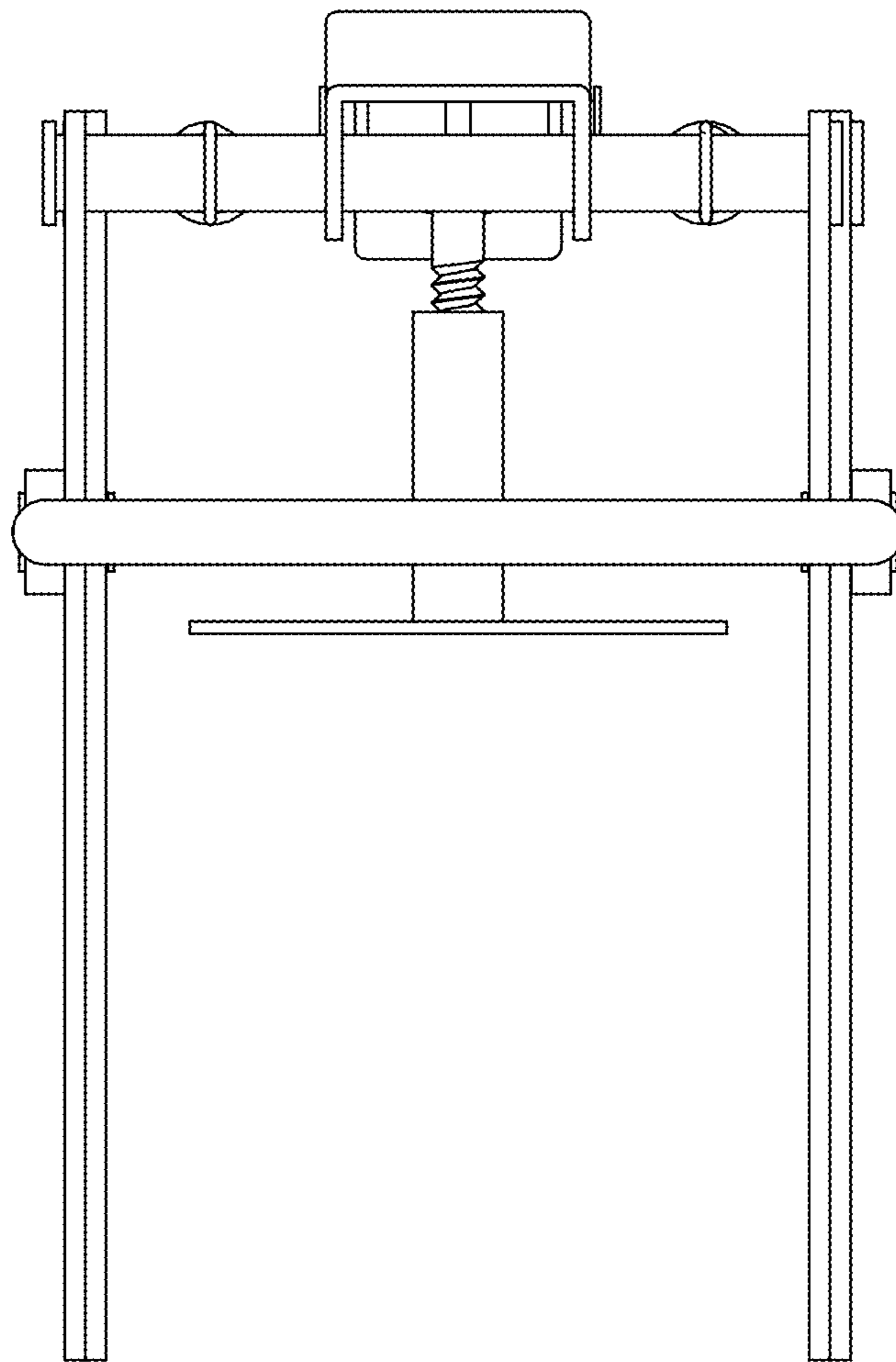


Figure 5

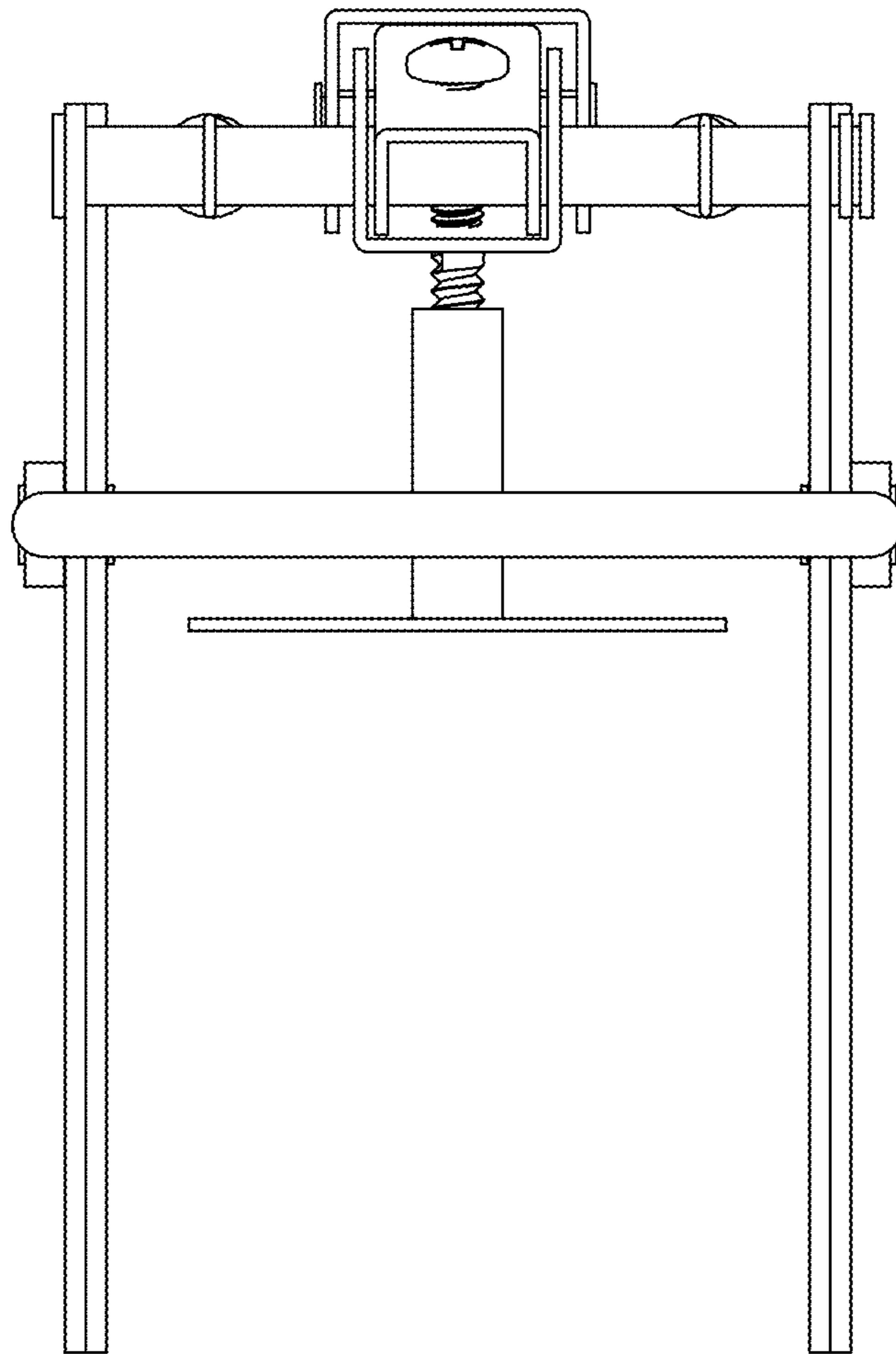


Figure 6

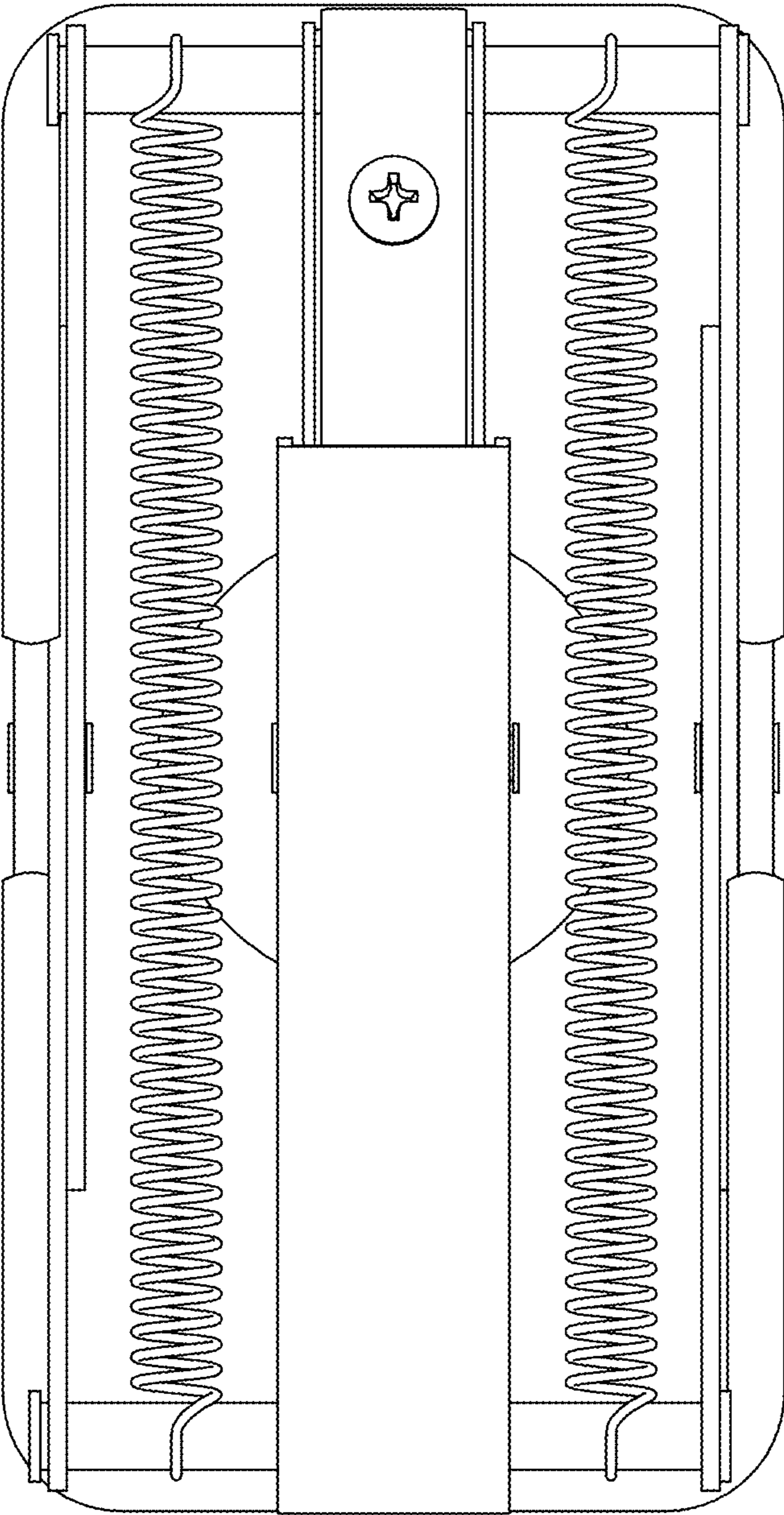


Figure 7

