



US00D905193S

(12) **United States Design Patent**
Johnston

(10) **Patent No.:** **US D905,193 S**

(45) **Date of Patent:** **** Dec. 15, 2020**

(54) **SCOPE**

(71) Applicant: **Crimson Trace Corporation,**
Wilsonville, OR (US)

(72) Inventor: **William Johnston,** Tualatin, OR (US)

(73) Assignee: **Crimson Trace Corporation,**
Wilsonville, OR (US)

(**) Term: **15 Years**

(21) Appl. No.: **29/674,297**

(22) Filed: **Dec. 20, 2018**

(51) **LOC (12) Cl.** **22-01**

(52) **U.S. Cl.**
USPC **D22/109**

(58) **Field of Classification Search**
USPC D22/100, 103, 104, 105, 108, 109, 110,
D22/111, 199; D21/567, 573, 574, 575
CPC F41C 23/04; F41C 23/08; F41C 23/16;
F41G 1/02; F41G 1/027; F41G 1/06;
F41A 17/46; F41A 19/11
See application file for complete search history.

(56) **References Cited**

U.S. PATENT DOCUMENTS

D612,006 S *	3/2010	Kohler	D22/109
D618,756 S *	6/2010	Kohler	D22/109
D619,194 S *	7/2010	Kohler	D22/109
8,087,196 B2 *	1/2012	Jung	F41G 1/30 42/113
D679,775 S *	4/2013	Cheng	D22/109
D732,137 S *	6/2015	Hamilton	D22/109
D752,701 S *	3/2016	Bengtsson	D22/109
D764,006 S *	8/2016	Horton	D22/109
D765,212 S *	8/2016	Cheng	D22/109
D787,627 S *	5/2017	Horton	D22/109
D795,989 S *	8/2017	Horton	D22/109
D819,160 S *	5/2018	Hamilton	D22/109
10,175,029 B2 *	1/2019	Teetzel	F41G 1/01

D846,689 S *	4/2019	Cheng	D22/109
D846,691 S *	4/2019	Cheng	D22/109
D847,292 S *	4/2019	Hoff	D22/109
D848,567 S *	5/2019	Soejima	D22/109
D849,180 S *	5/2019	Cheng	D22/109
D856,458 S *	8/2019	Cheng	D22/109
D888,874 S *	6/2020	Hamilton	D22/109
D888,875 S *	6/2020	Hamilton	D22/109
2012/0151816 A1 *	6/2012	Kleck	F41G 1/30 42/132

(Continued)

OTHER PUBLICATIONS

“Sig Sauer Romeo5 Compact 2 Moa Red Sight” [online]. Sig Sauer. [Retrieved on Dec. 19, 2019]. Retrieved from the Internet: <<https://www.amazon.com/Sig-Sauer-SOR52001-Romeo5-Compact/dp/B01C9518N4>>.*

(Continued)

Primary Examiner — Khawaja Anwar
Assistant Examiner — Mojtaba Tehrani
(74) *Attorney, Agent, or Firm* — Stinson LLP

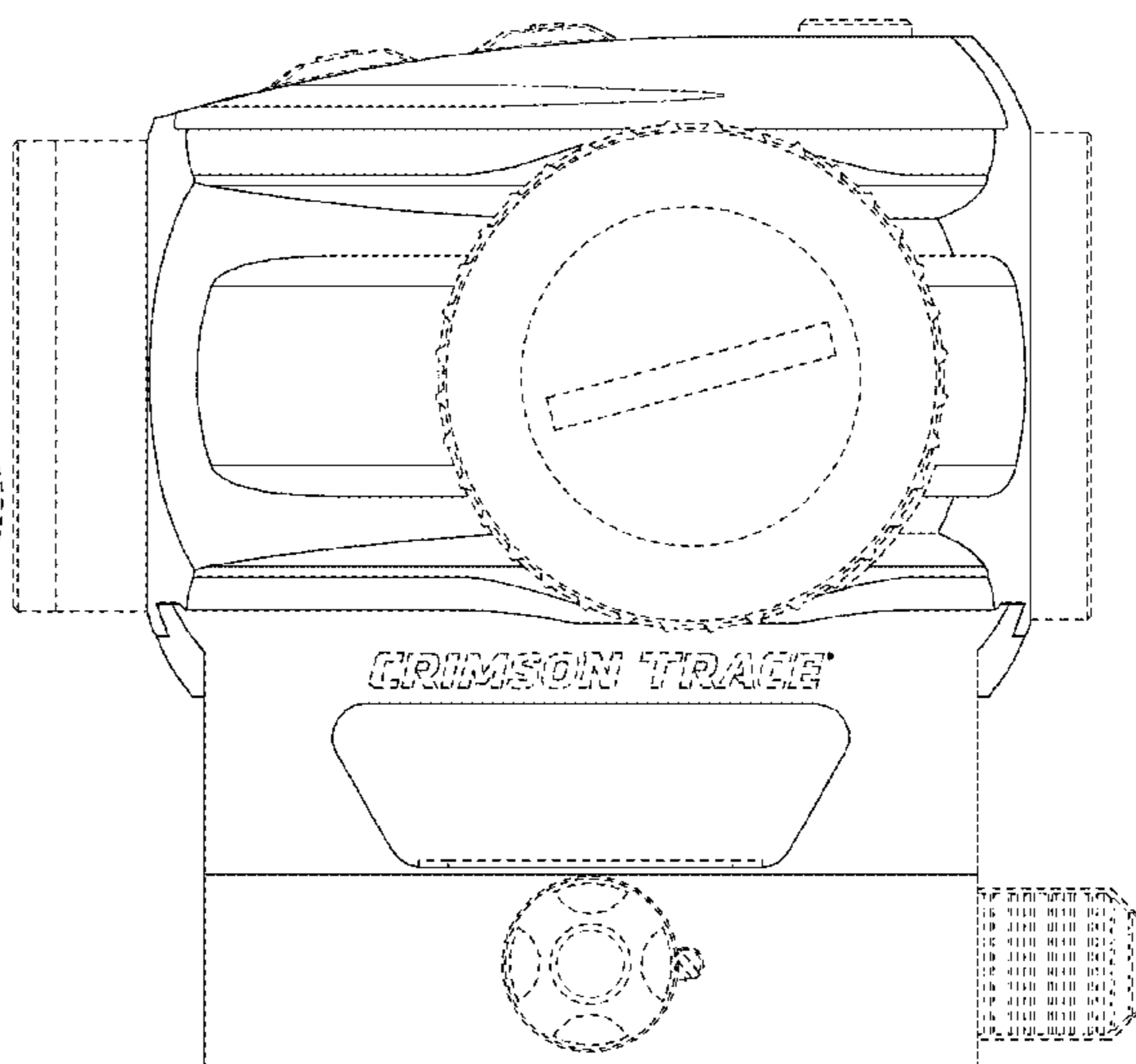
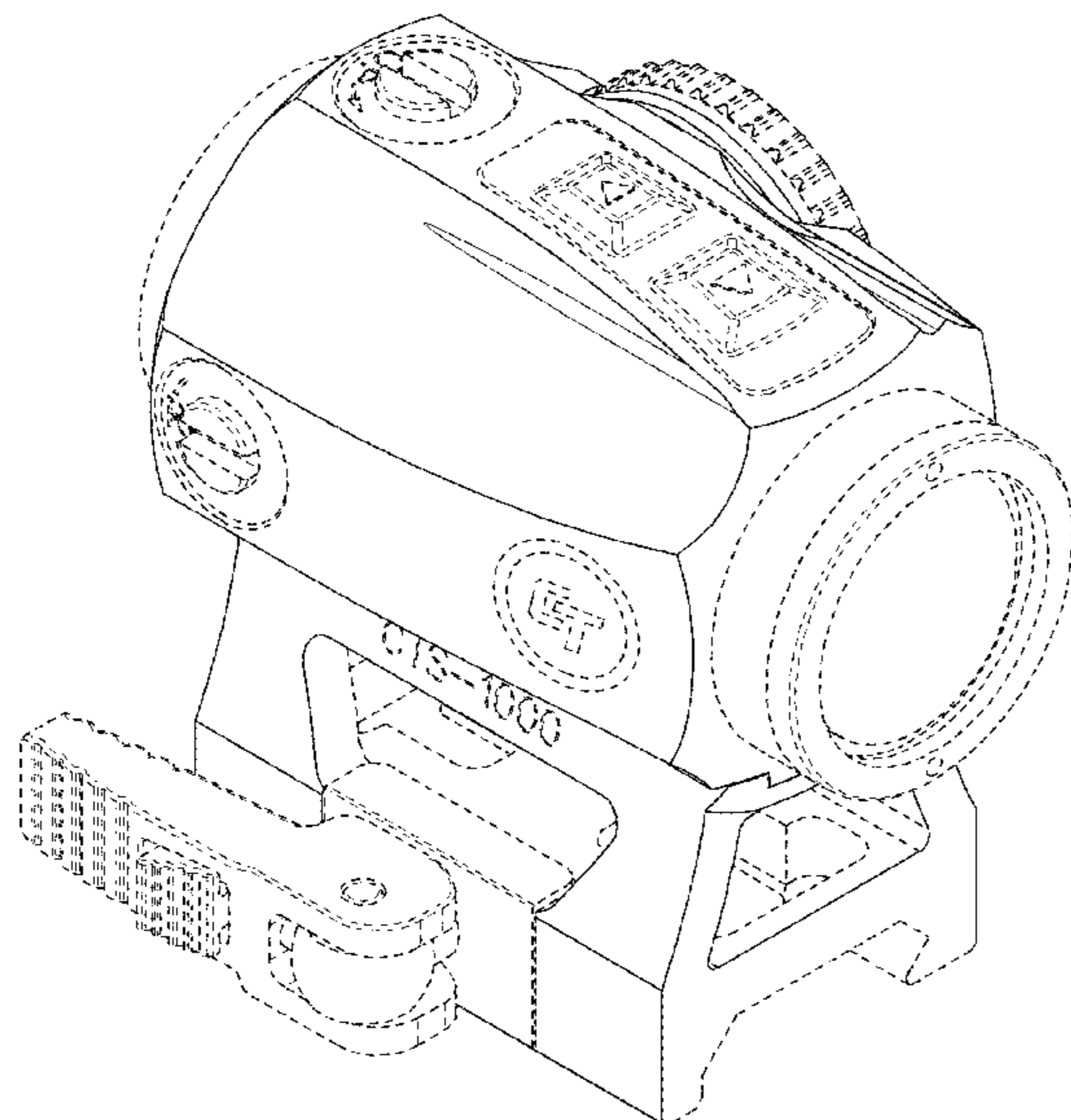
(57) **CLAIM**

I claim the ornamental design for a scope, as shown and described.

DESCRIPTION

FIG. 1 is a perspective view of a scope, showing my new design;
FIG. 2 is a front view thereof;
FIG. 3 is a rear view thereof;
FIG. 4 is a right side view thereof;
FIG. 5 is a left side view thereof;
FIG. 6 is a top view thereof; and,
FIG. 7 is a bottom view thereof.
The broken lines in the drawings depict unclaimed portions of the scope, which form no part of the claimed design.

1 Claim, 7 Drawing Sheets



(56)

References Cited

U.S. PATENT DOCUMENTS

2014/0096431 A1* 4/2014 Tang F41G 1/30
42/132
2015/0198415 A1* 7/2015 Campean F41G 1/18
42/137

OTHER PUBLICATIONS

“MGS Military Gear ABB Tactical Mini Micro Reflex Dot Scope Sight with QD Quick Riser Mount, Red” [online]. MGS Military Gear. [Retrieved on Dec. 19, 2019]. Retrieved from the Internet: <<https://www.amazon.com/MGS-Military-Gear-Tactical-Reflex/dp/B00JN2ZINU>>.*

“CTS-1000 Compact Tactical Red Dot Sight for Rifles [2.0 MOA]” [online]. crimsontrace.com. [Retrieved on Dec. 19, 2019]. Retrieved from the Internet: <<https://www.crimsontrace.com/products/by-product-type/electronic-sights/01-8420>>.*

* cited by examiner

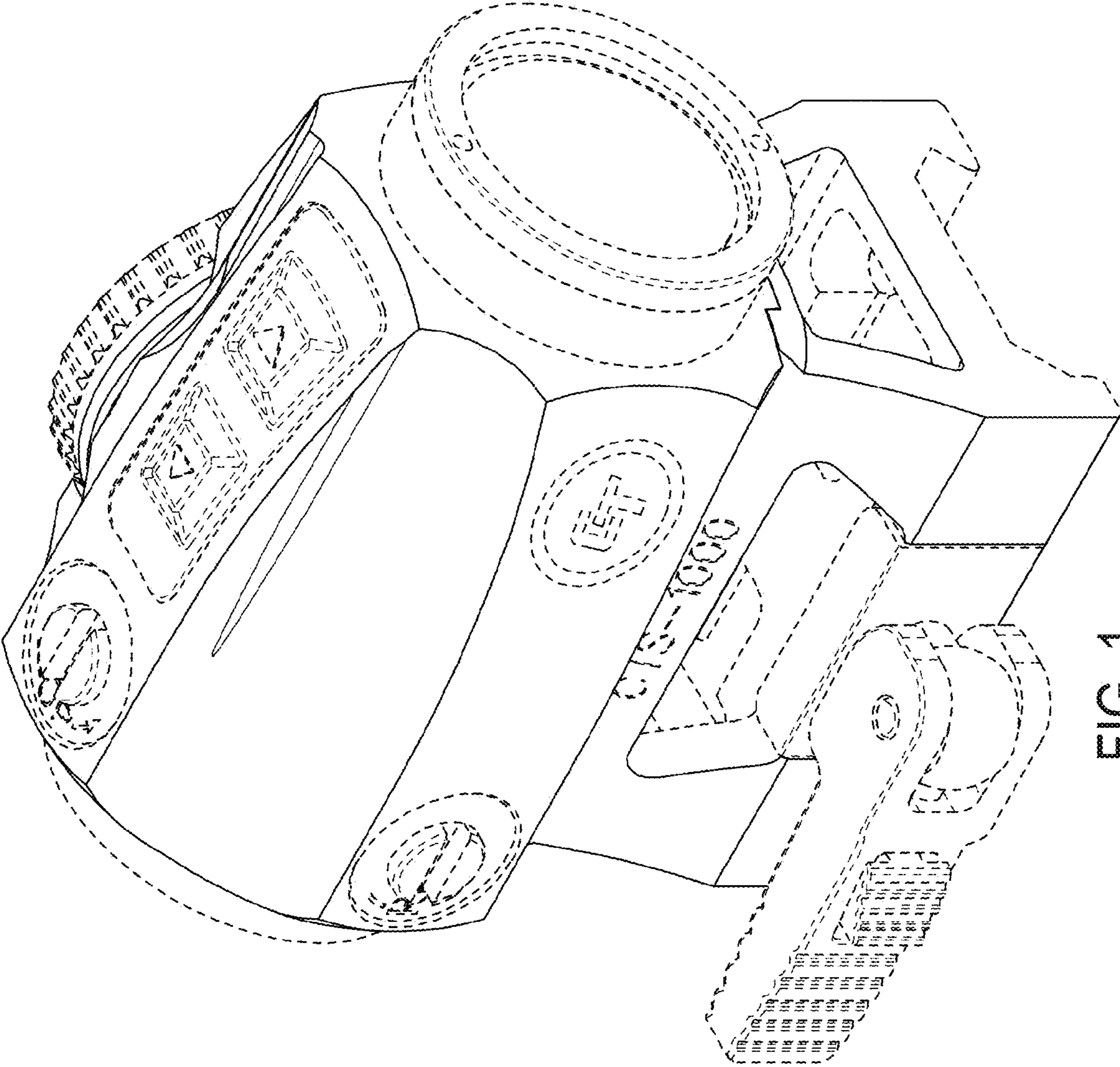


FIG. 1

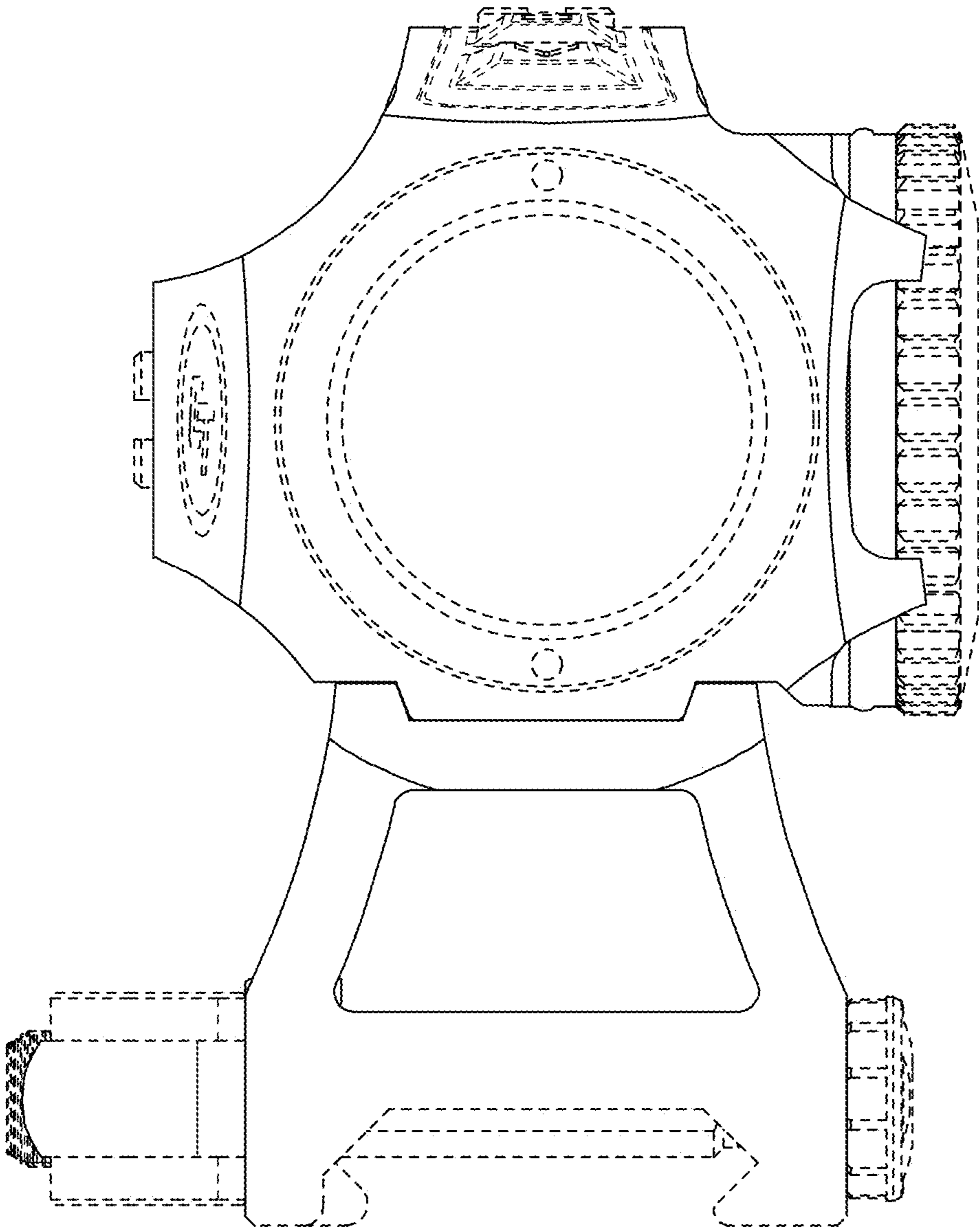


FIG. 2

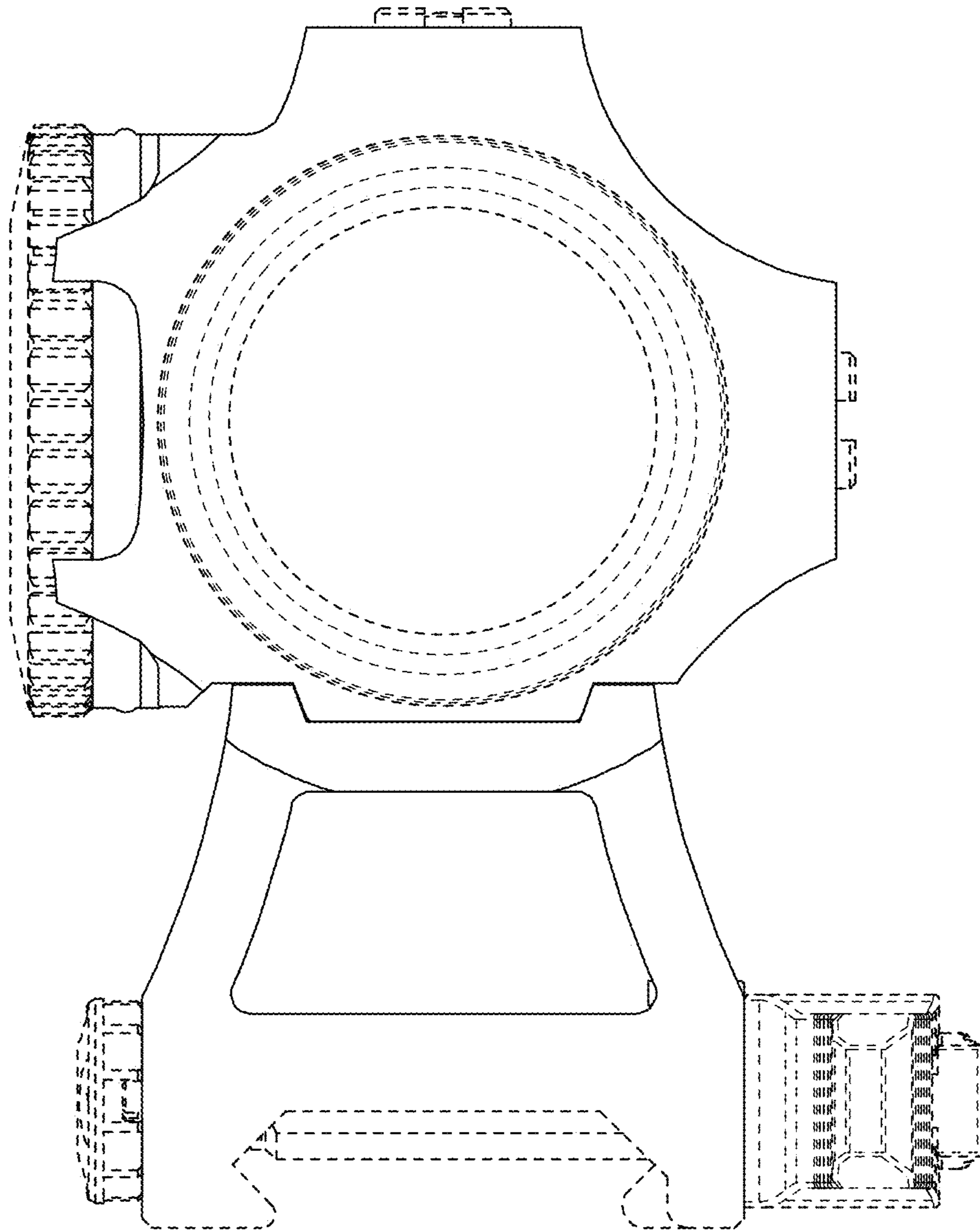


FIG. 3

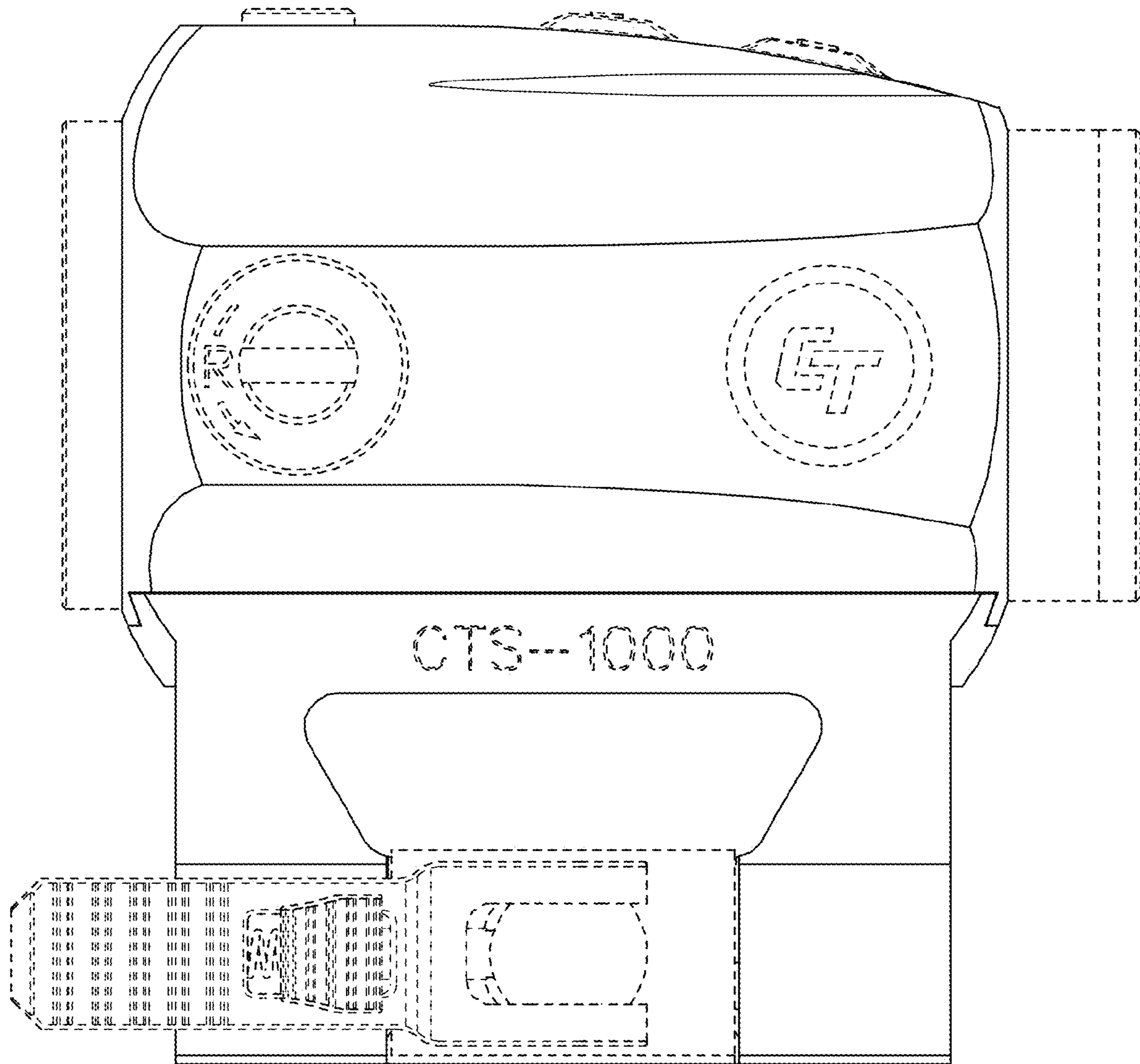


FIG. 4

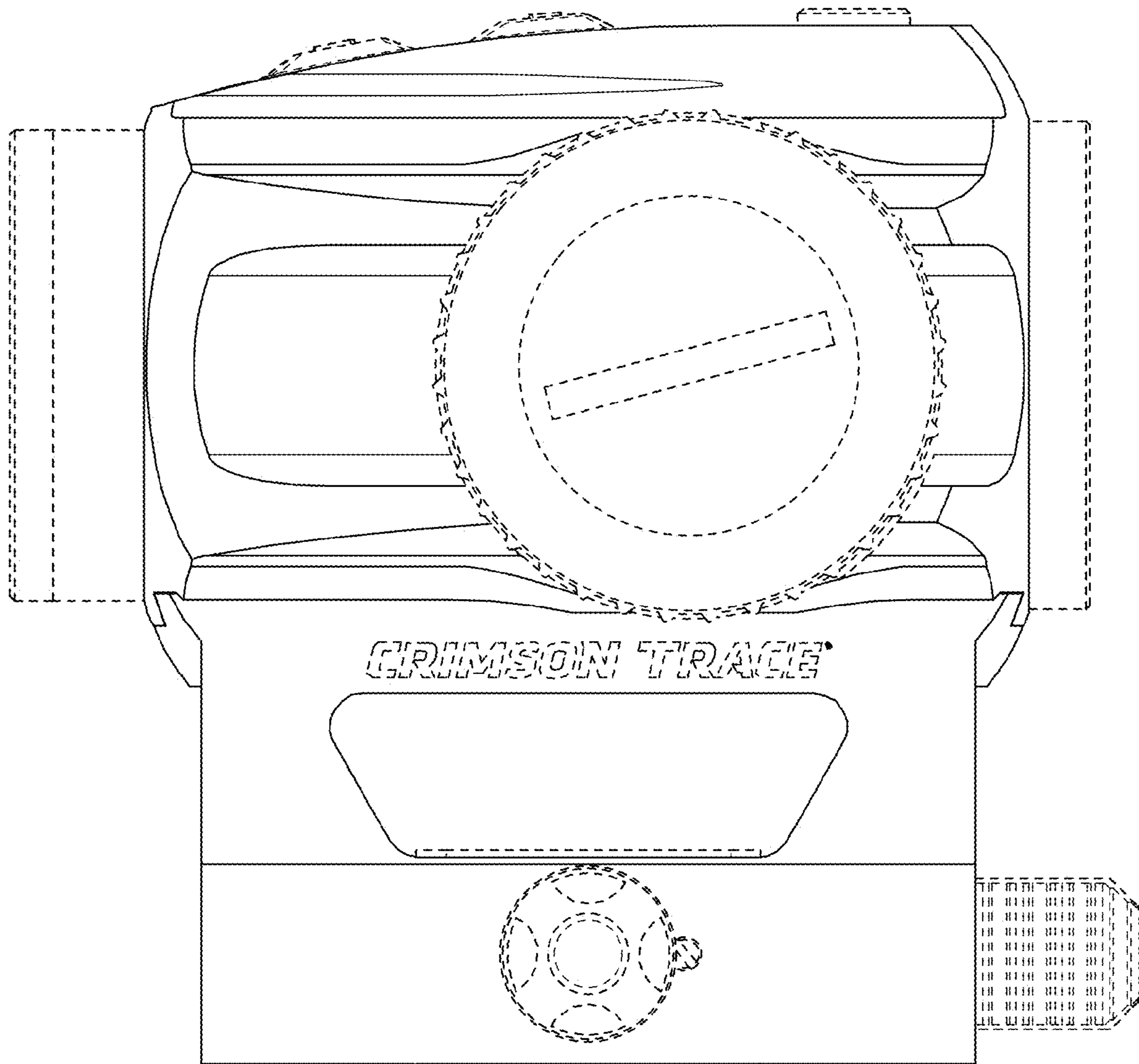


FIG. 5

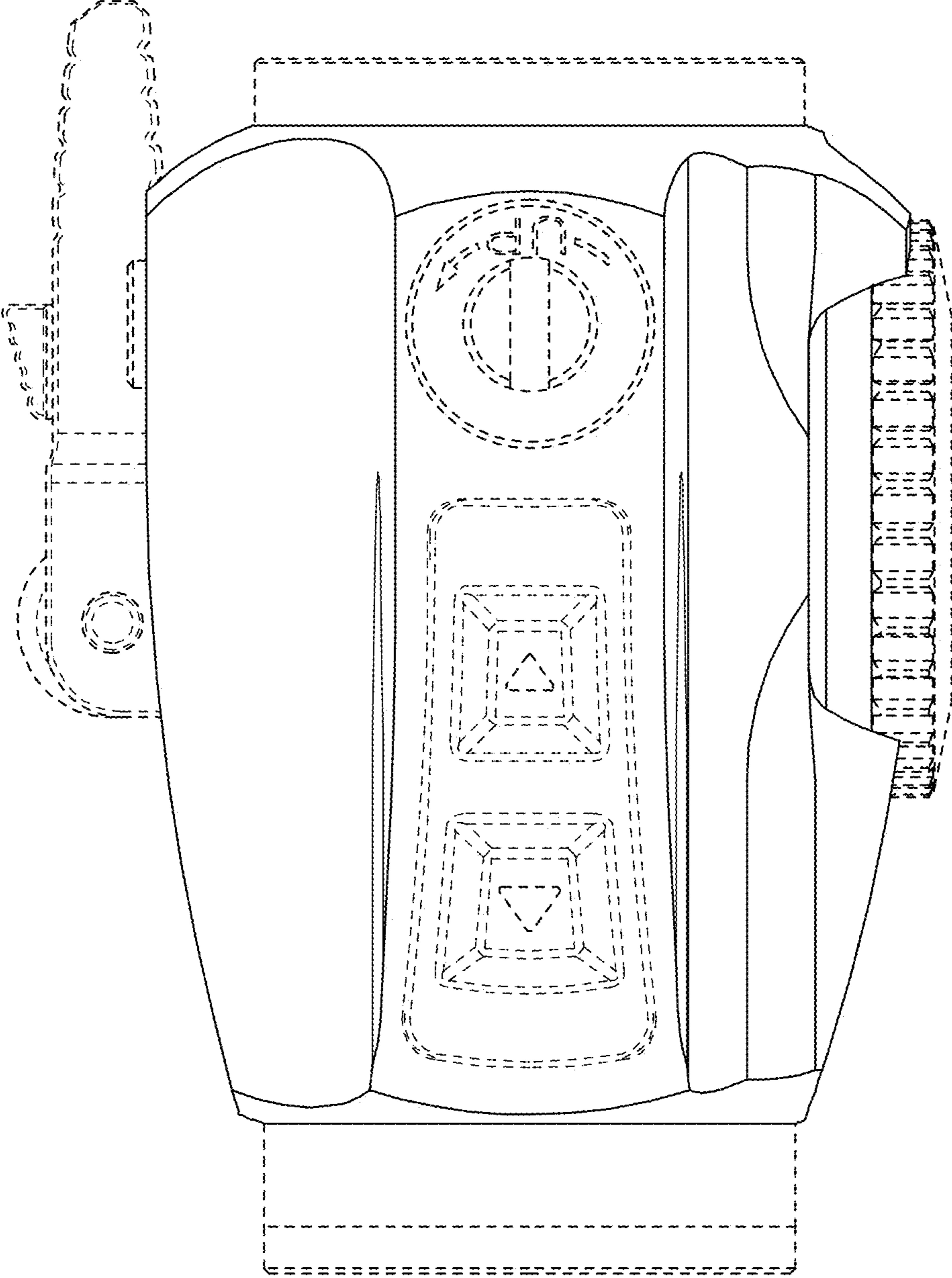


FIG. 6

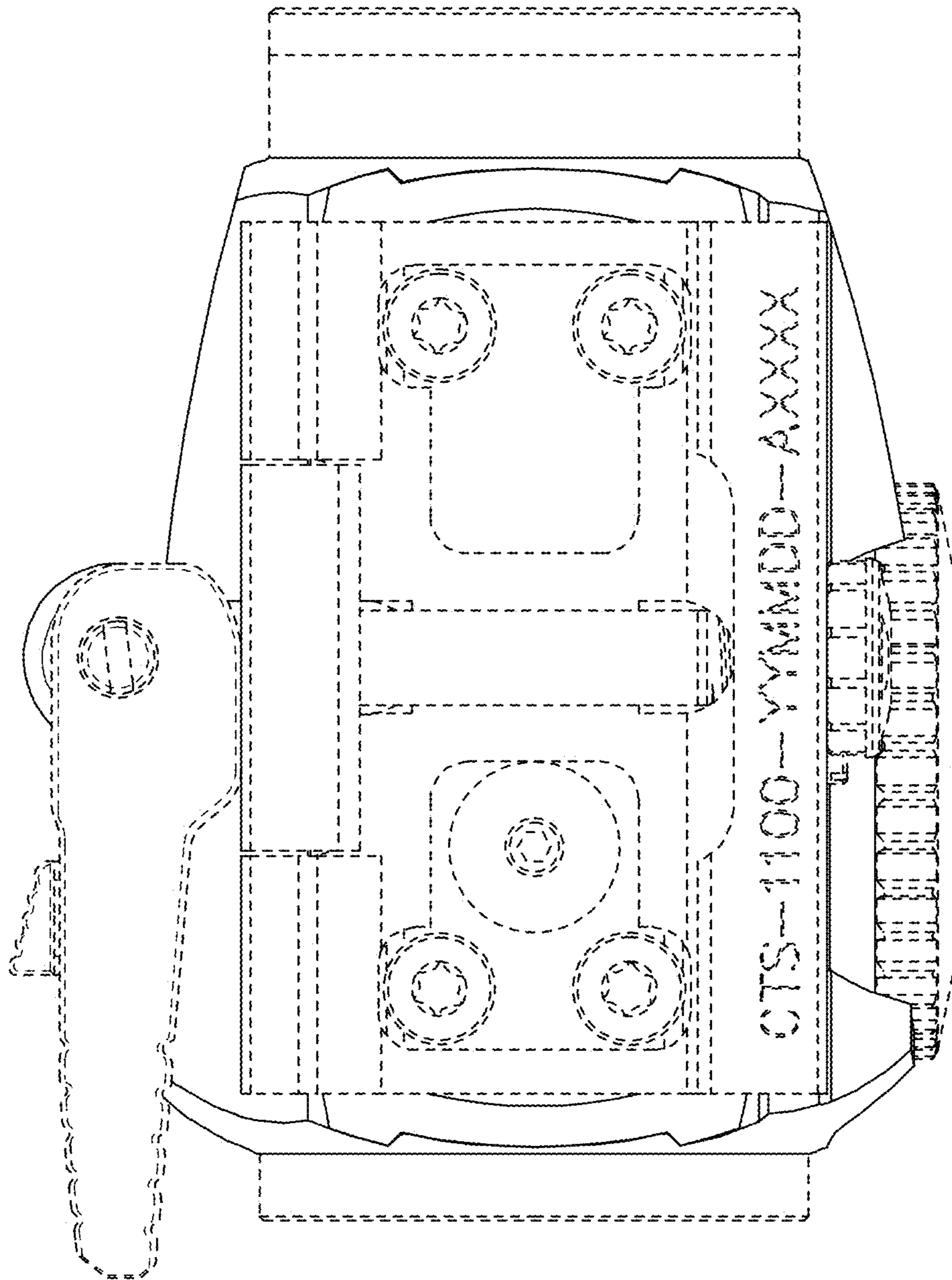


FIG. 7