



US00D905189S

(12) **United States Design Patent**
González Galván et al.

(10) **Patent No.: US D905,189 S**

(45) **Date of Patent: ** Dec. 15, 2020**

(54) **CLIMBING DEVICE**

(71) Applicant: **INGECID INVESTIGACIÓN Y
DESARROLLO DE PROYECTOS,
S.L.**, Boo de Piélagos (ES)

(72) Inventors: **Julio Cesar González Galván,**
Santander (ES); **Jokin Rico Arenal,**
Santander (ES)

(**) Term: **15 Years**

(21) Appl. No.: **35/507,500**

(22) Filed: **Mar. 22, 2019**

(80) **Hague Agreement Data**

Int. Filing Date: **Mar. 22, 2019**

Int. Reg. No.: **DM/203178**

Int. Reg. Date: **Mar. 22, 2019**

Int. Reg. Pub. Date: **Oct. 11, 2019**

(51) **LOC (12) Cl.** **21-03**

(52) **U.S. Cl.**
USPC **D21/826**

(58) **Field of Classification Search**
USPC D21/662, 679, 686, 694, 826, 827;
D8/363, 380, 383
CPC A63B 22/001; A63B 21/4035; A63B
22/0664; A63B 21/0552; A63B 21/225;
A63B 2208/0204; A63B 21/0442
See application file for complete search history.

(56) **References Cited**

U.S. PATENT DOCUMENTS

D423,625 S *	4/2000	Sutton	D21/826
D742,978 S *	11/2015	Summers	D21/686
D758,833 S *	6/2016	Stites, Jr.	D8/380
D775,058 S *	12/2016	Overman	D12/411
D793,214 S *	8/2017	Ishii	D8/383
D796,942 S *	9/2017	Uimonen	D8/382
D875,855 S *	2/2020	Sandoval	D21/691

* cited by examiner

Primary Examiner — Robert M. Spear

(57) **CLAIM**

We claim, the ornamental design for a climbing device, as shown and described.

DESCRIPTION

1.1 is a perspective view of a climbing device, showing my new design;

1.2 is a side view thereof, the opposite side being a mirror image;

1.3 is a top view thereof;

1.4 is a front view thereof;

1.5 is another perspective view thereof;

1.6 is another perspective view thereof;

1.7 is another perspective view thereof;

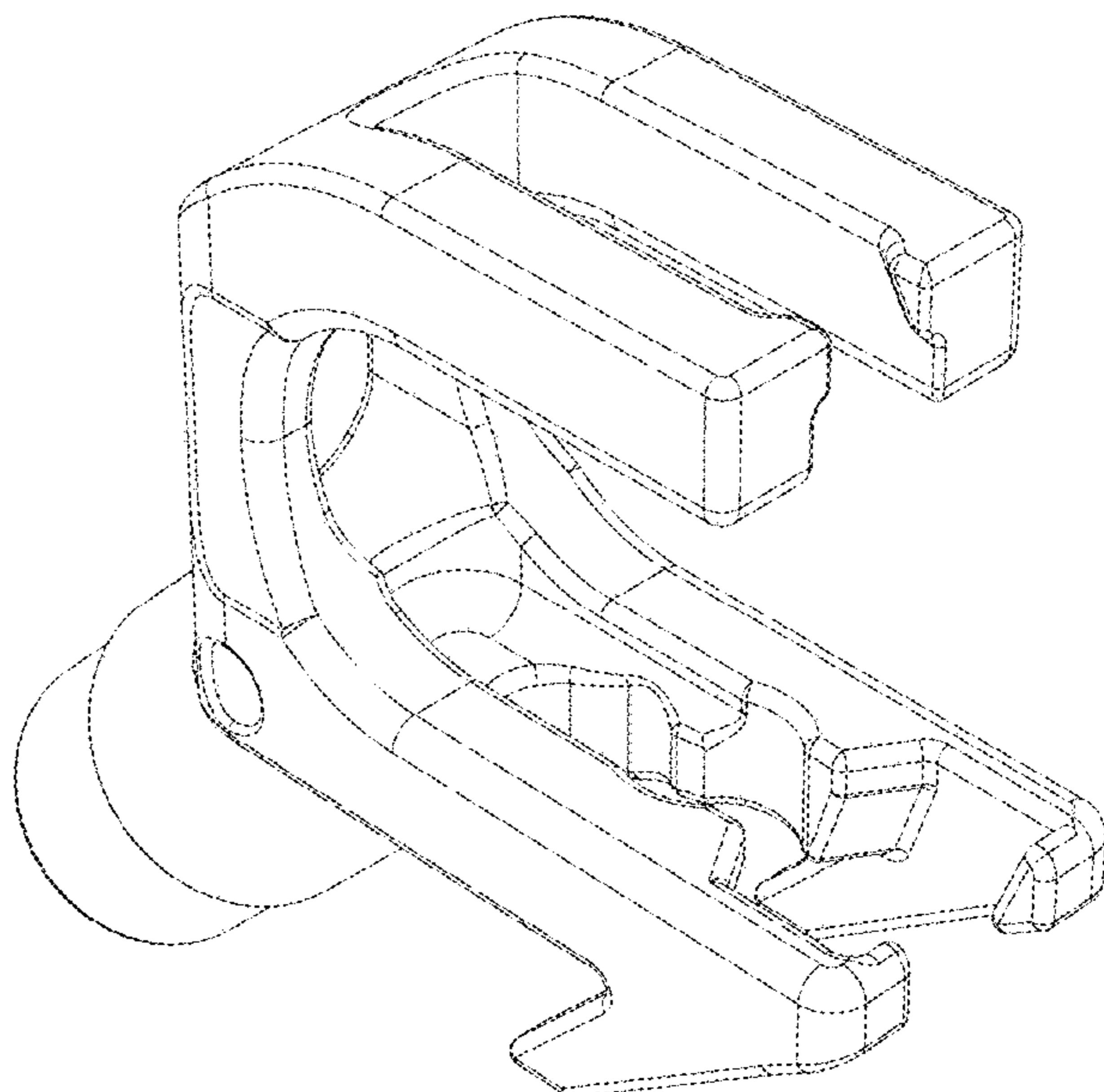
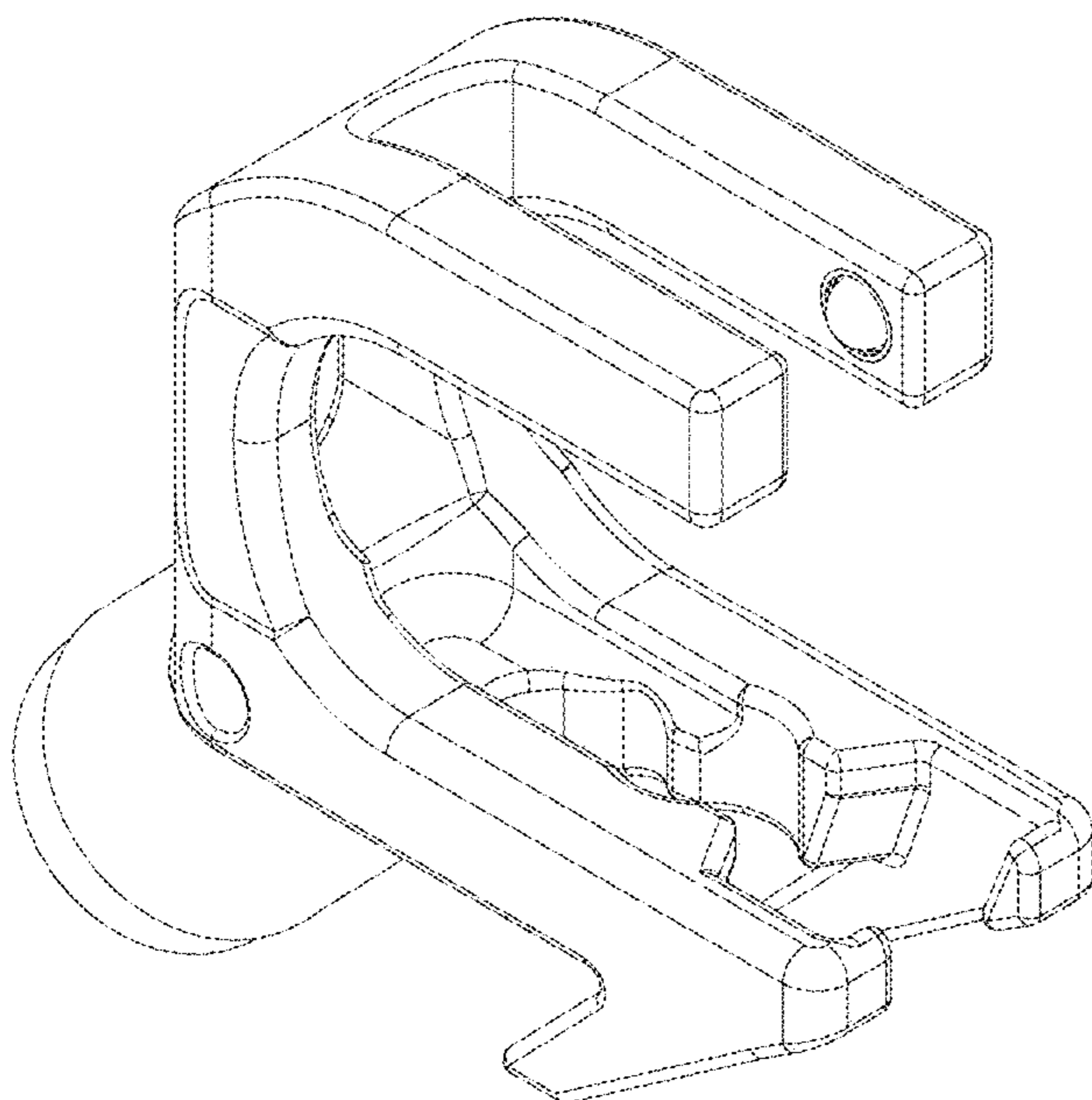
2.1 is a perspective view of another embodiment thereof;

2.2 is a front view thereof;

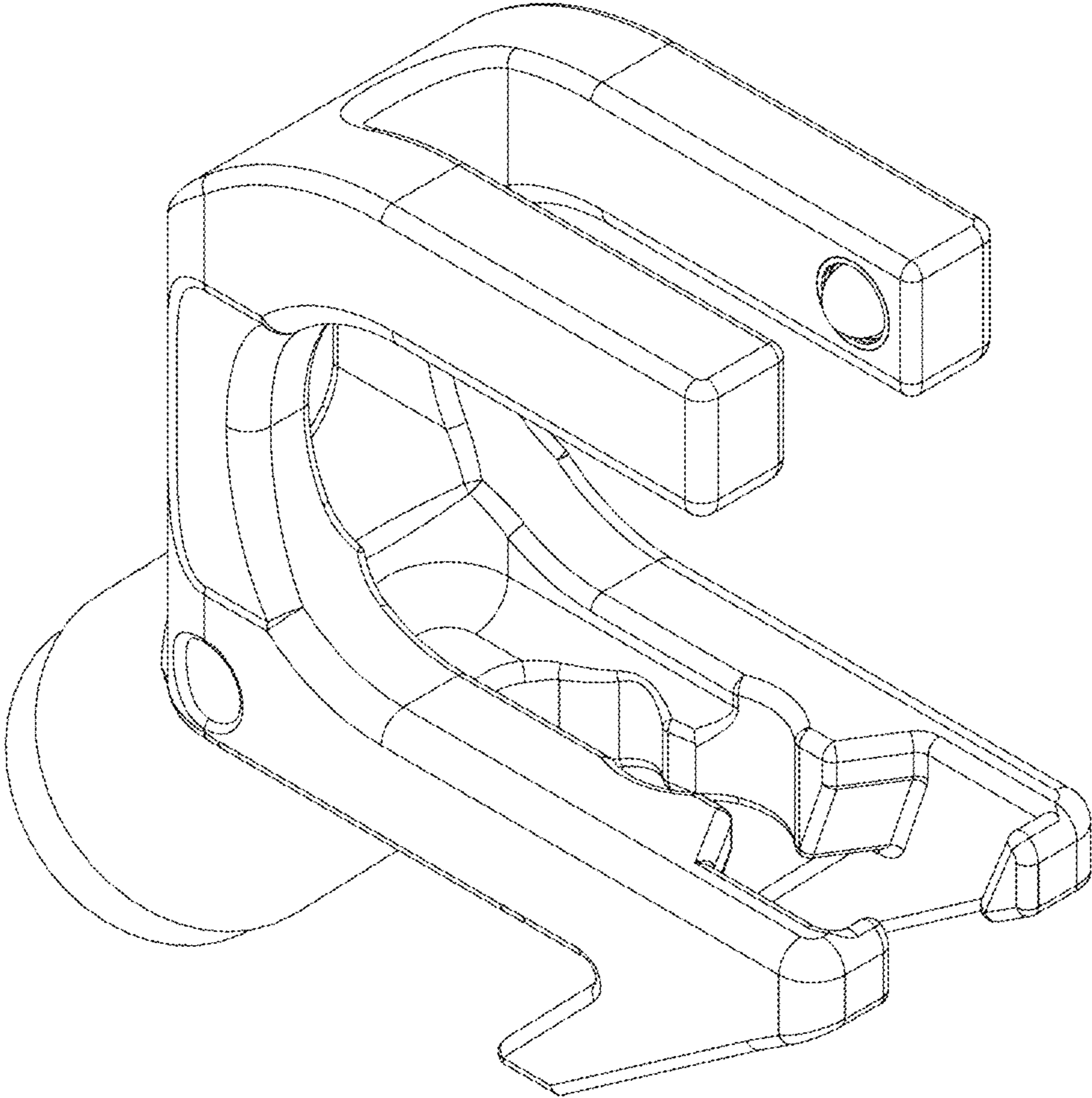
2.3 is a top view thereof; and

2.4 is another perspective view thereof.

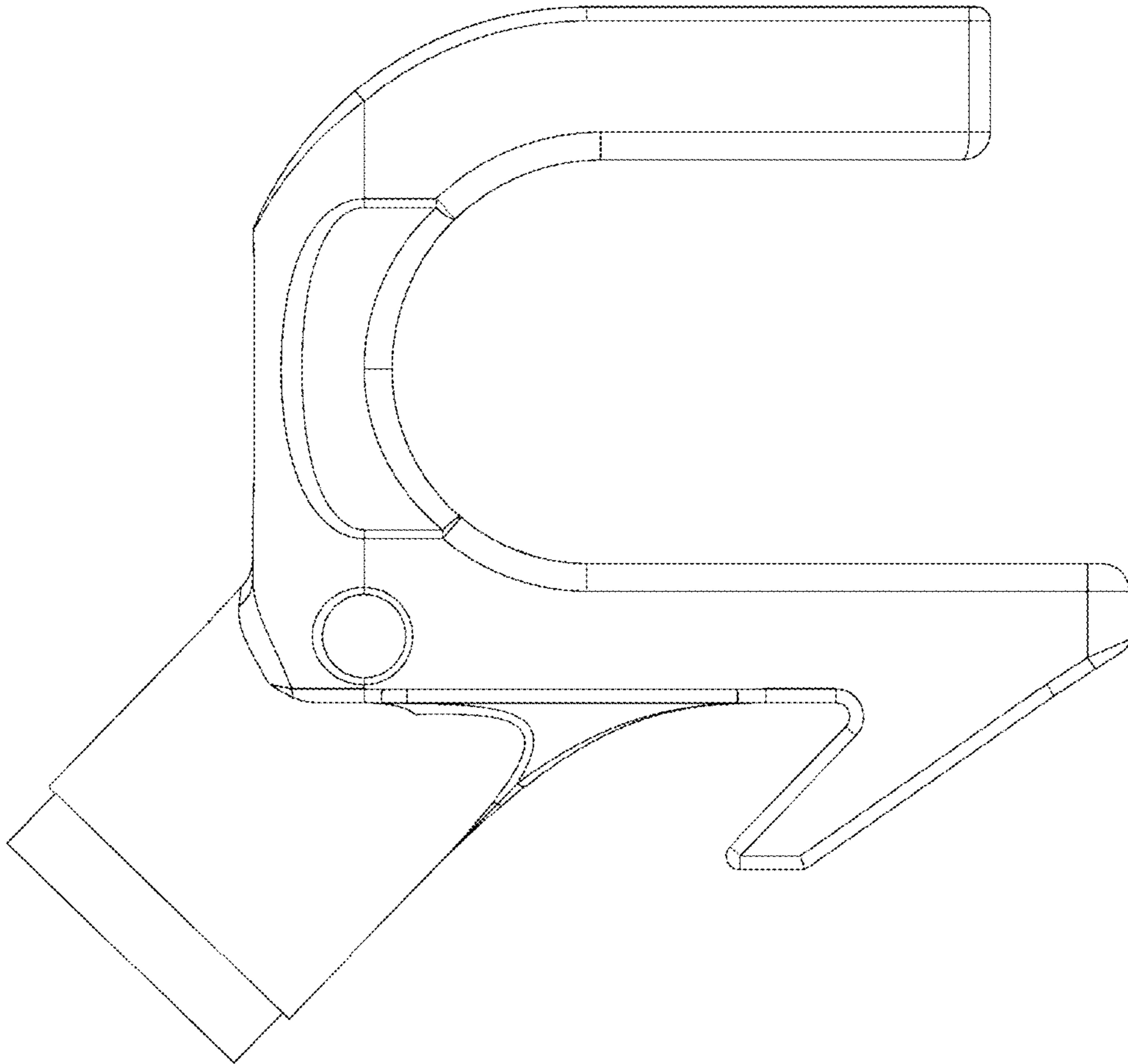
1 Claim, 11 Drawing Sheets



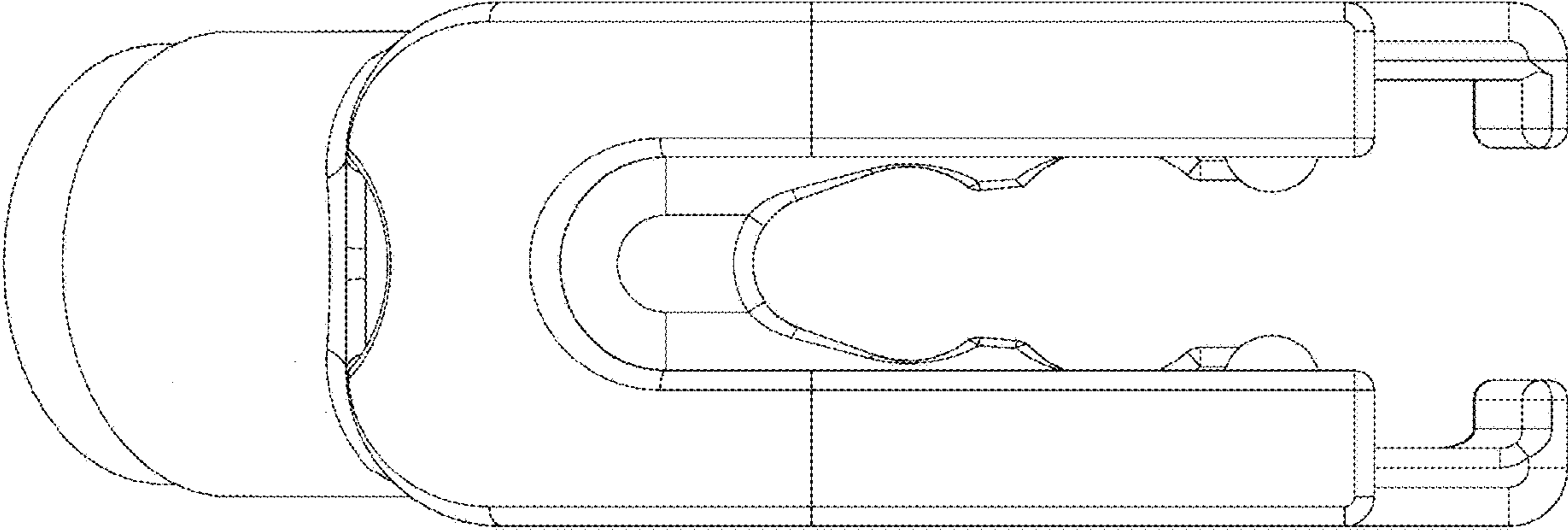
1.1



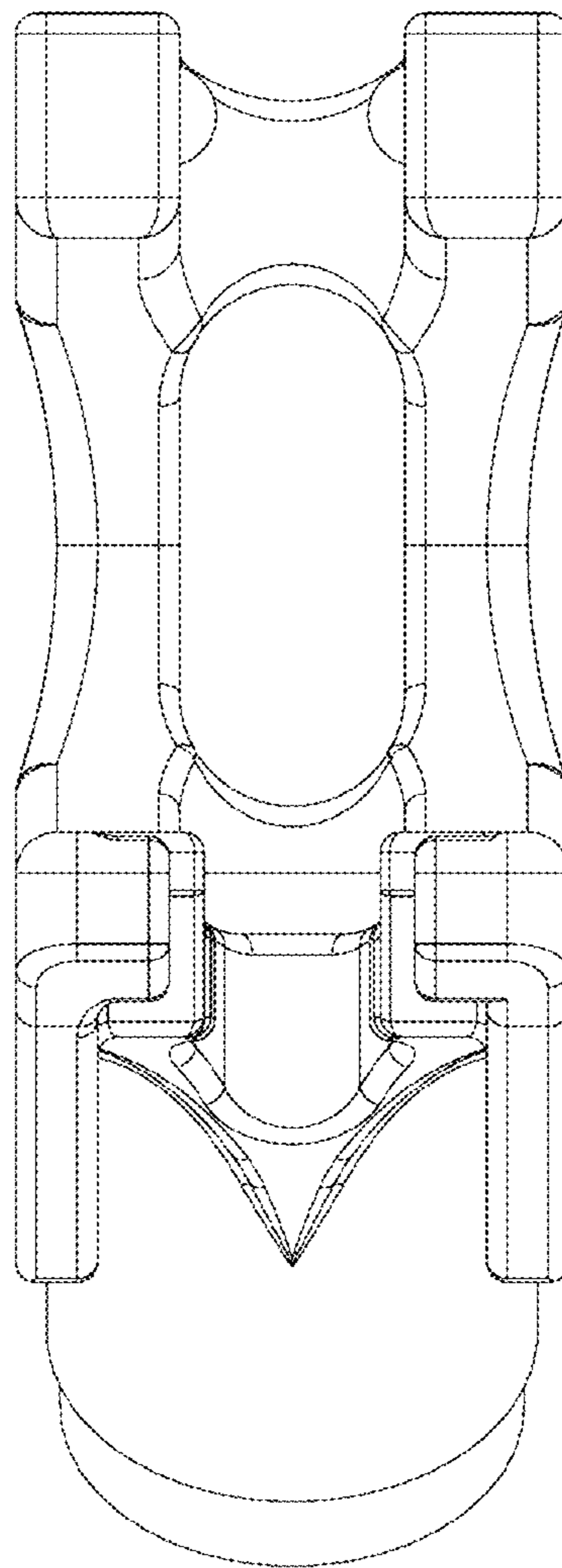
1.2



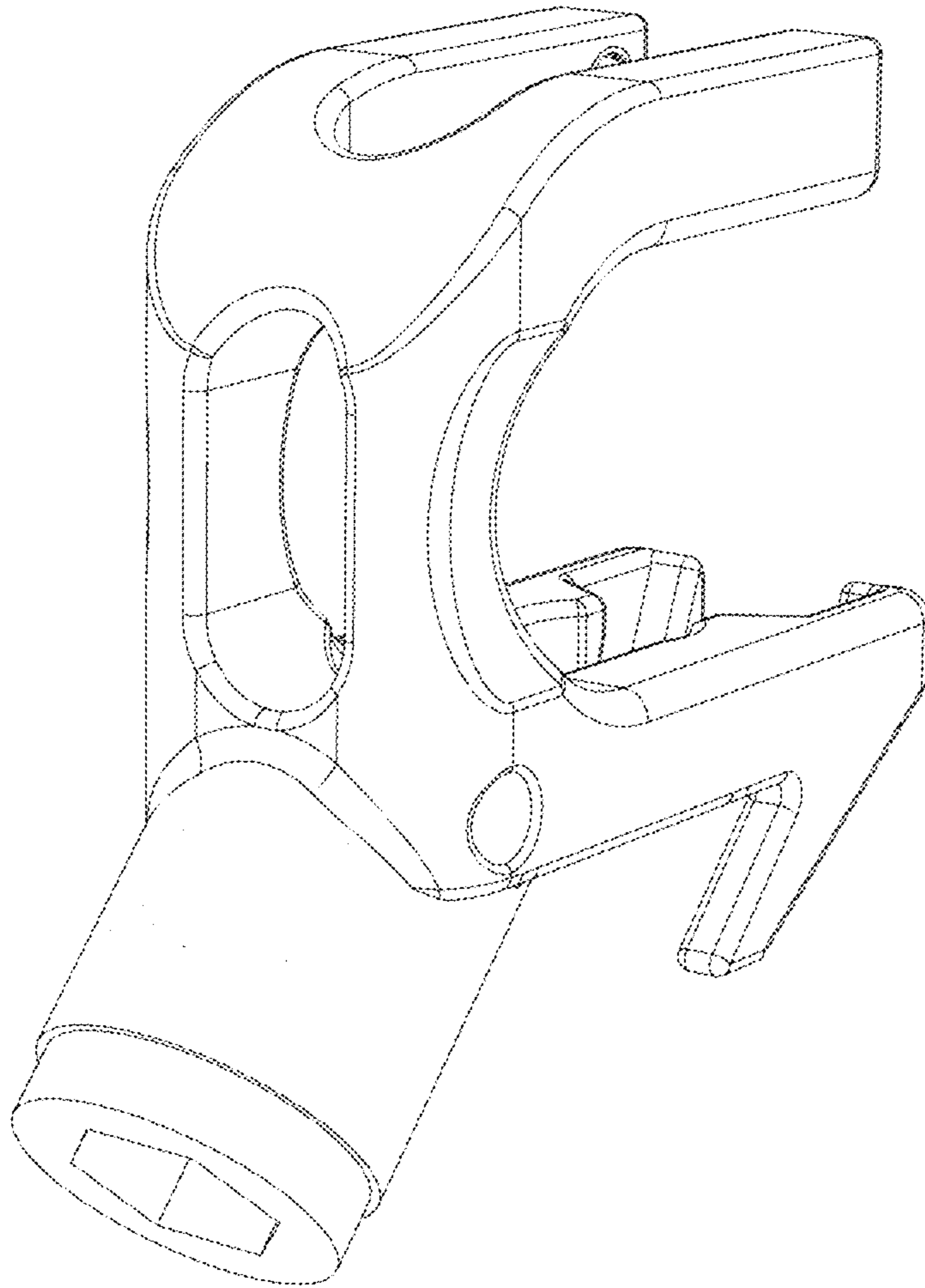
1.3



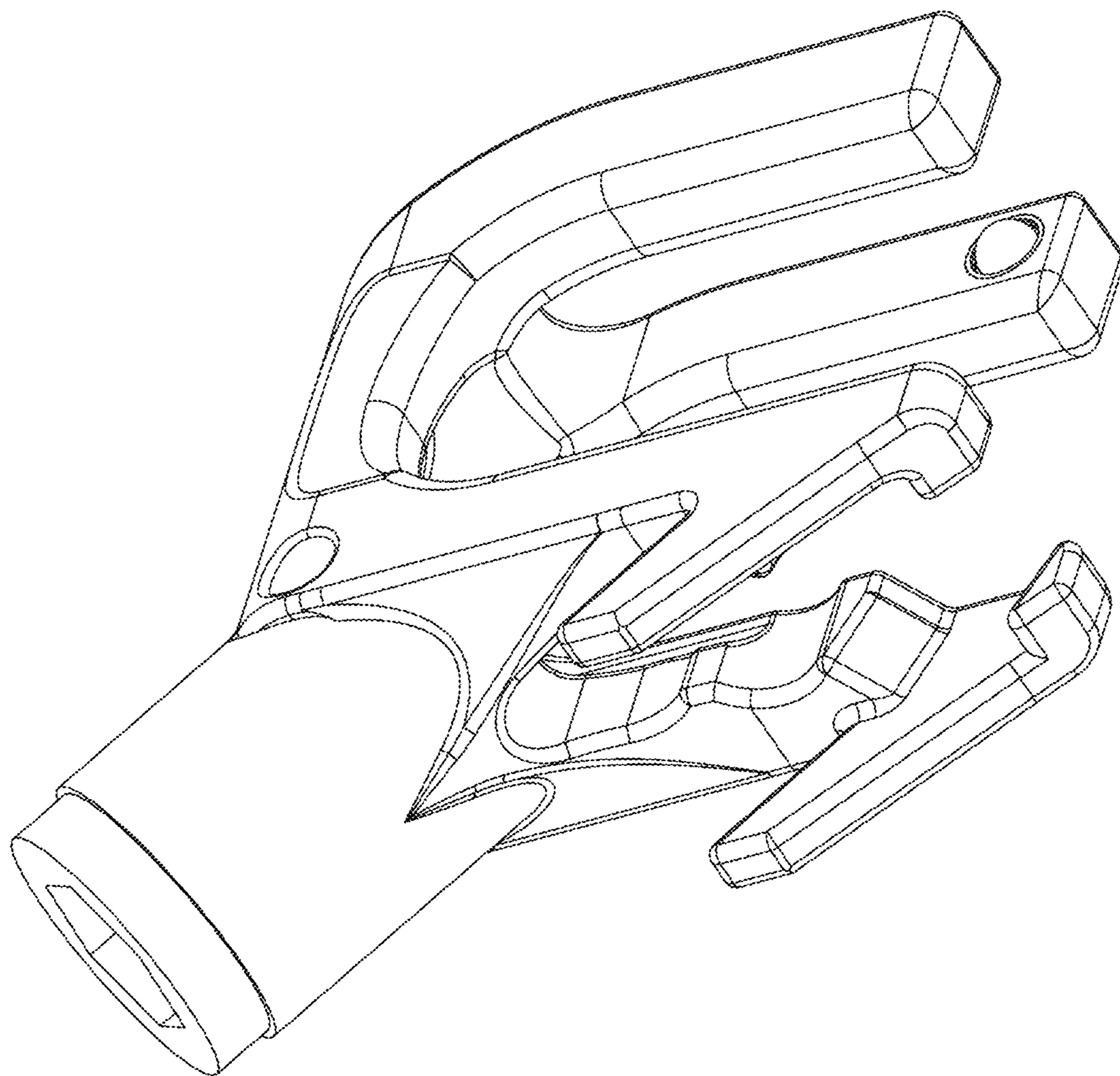
1.4



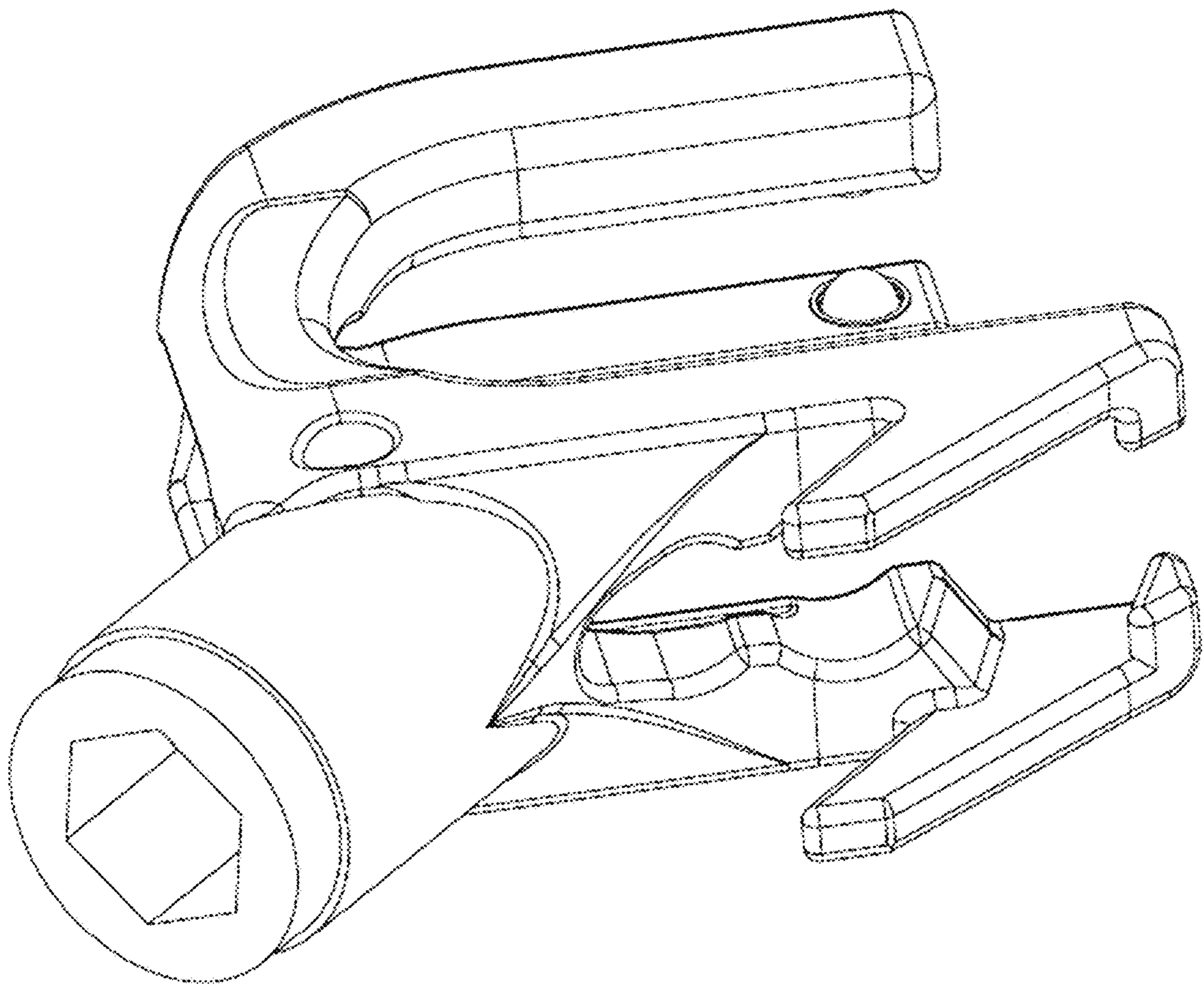
1.5



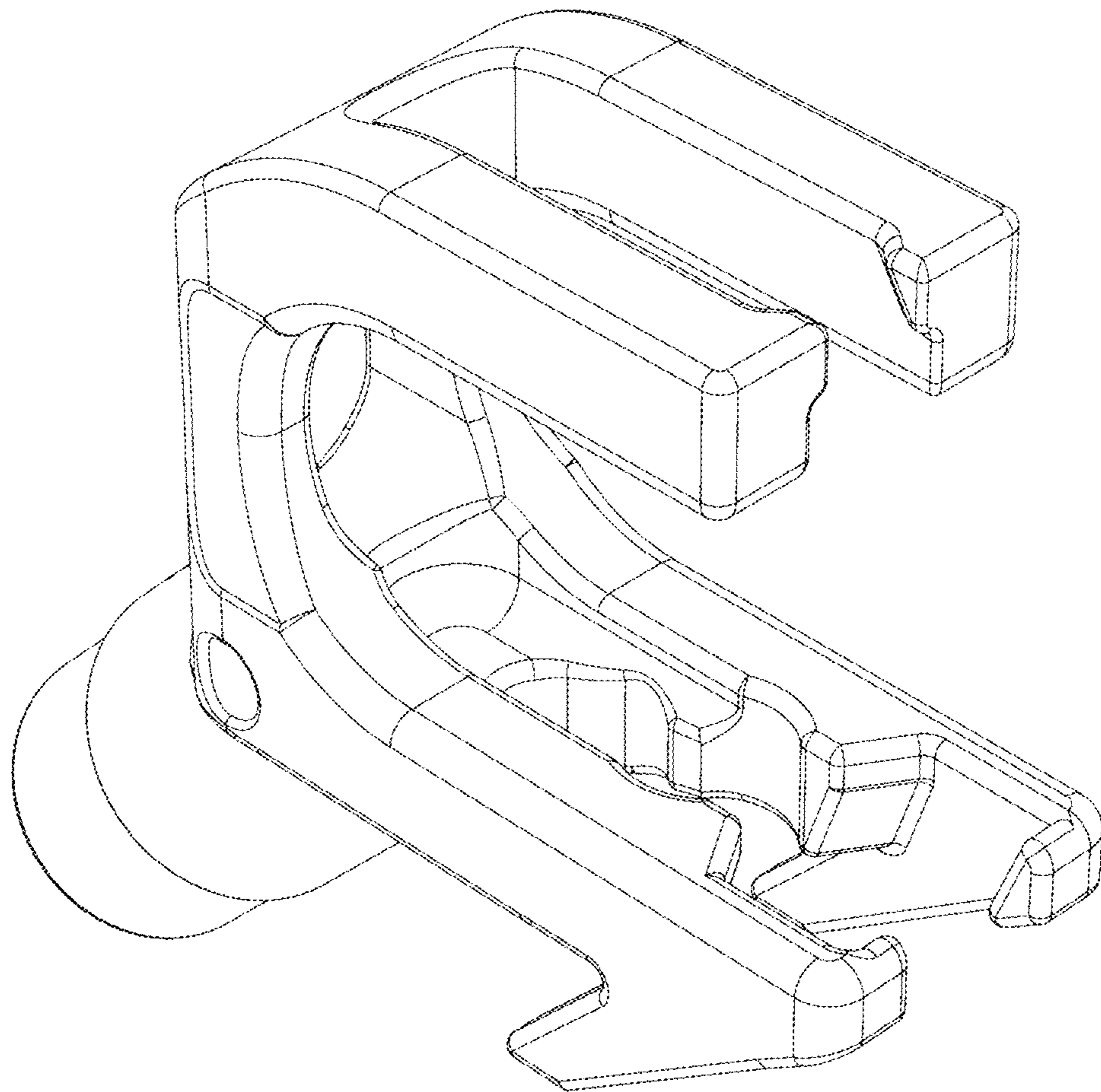
1.6



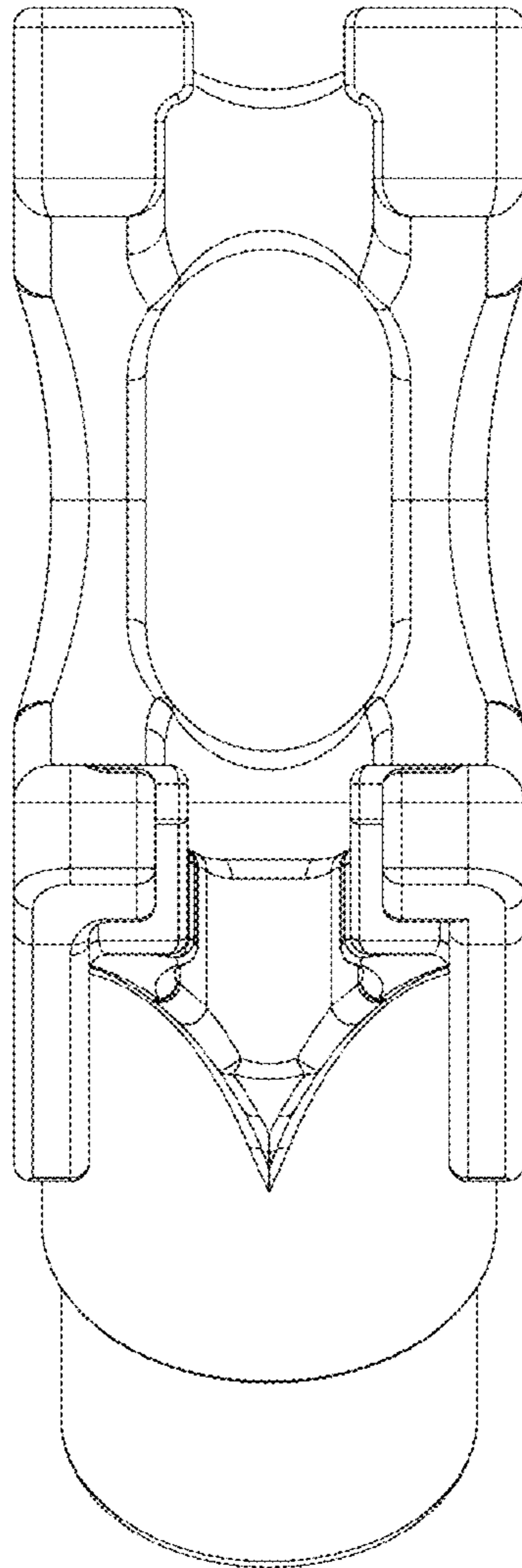
1.7



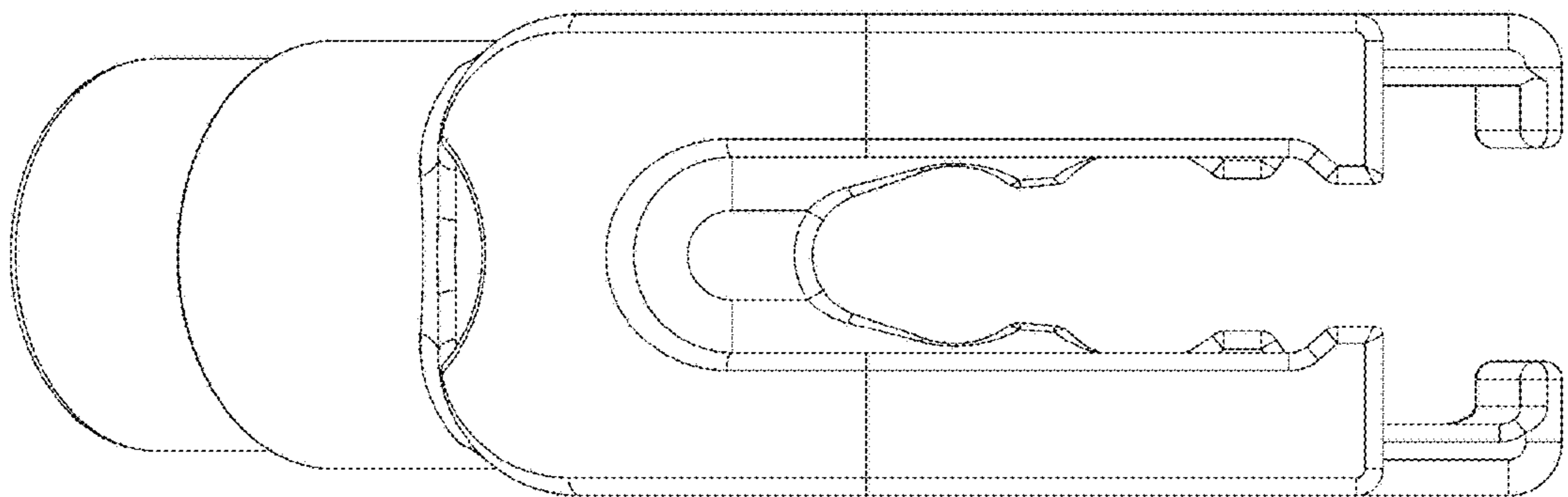
2.1



2.2



2.3



2.4

