



US00D905184S

(12) **United States Design Patent** (10) **Patent No.:** **US D905,184 S**
Rollinson et al. (45) **Date of Patent:** **** Dec. 15, 2020**

(54) **PUTTER HEAD**
(71) Applicant: **Callaway Golf Company**, Carlsbad, CA (US)
(72) Inventors: **Augustin W. Rollinson**, Solana Beach, CA (US); **Oliver G. Brewer**, San Diego, CA (US)
(73) Assignee: **Callaway Golf Company**, Carlsbad, CA (US)
(**) Term: **15 Years**
(21) Appl. No.: **29/698,679**
(22) Filed: **Jul. 18, 2019**
(51) **LOC (12) Cl.** **21-02**
(52) **U.S. Cl.**
USPC **D21/744**
(58) **Field of Classification Search**
USPC D21/736-746, 759
CPC A63B 53/00; A63B 53/04; A63B 53/007;
A63B 53/065; A63B 53/0487; A63B 60/00; A63B 60/46
See application file for complete search history.

(56) **References Cited**
U.S. PATENT DOCUMENTS
D207,227 S * 3/1967 Solheim D21/739
D389,207 S * 1/1998 Cameron D21/742
D399,899 S * 10/1998 Sizemore, Jr. D21/742
D426,599 S * 6/2000 Morgan D21/736
D443,906 S * 6/2001 Hettinger D21/743
D498,276 S * 11/2004 Schweigert D21/743
D521,580 S * 5/2006 Burrows D21/736
D535,712 S * 1/2007 Toroussian D21/749
D548,294 S * 8/2007 Nguyen D21/736
D552,196 S * 10/2007 Hueber D21/742
D583,887 S * 12/2008 Cameron D21/743
D590,462 S * 4/2009 Hettinger D21/743

D638,892 S * 5/2011 Hettinger D21/743
D643,893 S * 8/2011 Rollinson D21/742
D648,407 S * 11/2011 Teramoto D21/743
D688,339 S * 8/2013 Hilton D21/736
D689,574 S * 9/2013 Rollinson D21/743
D702,782 S * 4/2014 Wempe D21/743
9,033,812 B2 * 5/2015 Solheim A63B 53/0487
473/238
D736,876 S * 8/2015 Rollinson D21/759
D769,383 S * 10/2016 Abbott D21/743
D796,597 S * 9/2017 Serrano D21/736
D817,425 S * 5/2018 Toulon D21/759
D818,551 S * 5/2018 Toulon D21/759
D832,379 S * 10/2018 Jertson D21/736
D837,315 S * 1/2019 Rollinson D21/743
D857,135 S * 8/2019 Serrano D21/736
D859,544 S * 9/2019 Wang D21/736
D860,351 S * 9/2019 Rollinson D21/743
D865,090 S * 10/2019 Rollinson D21/743

(Continued)

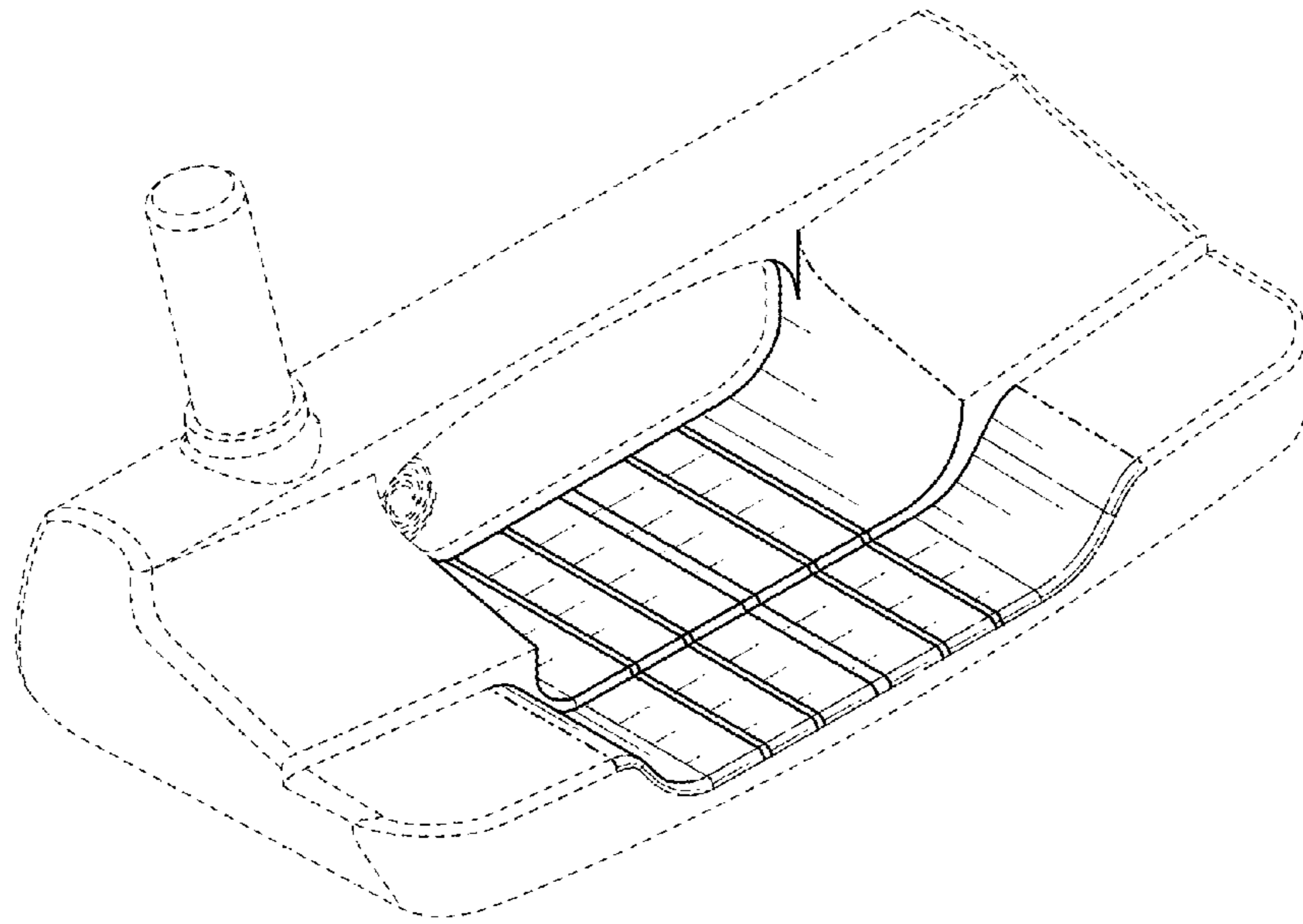
Primary Examiner — Mitchell I. Siegel
(74) *Attorney, Agent, or Firm* — Rebecca Hanovice; Michael Catiana; Sonia Lari

(57) **CLAIM**
The ornamental design for a putter head, as shown and described.

DESCRIPTION

FIG. 1 is a top perspective view of the putter head claimed herein;
FIG. 2 is a rear elevational view thereof;
FIG. 3 is a front elevational view thereof;
FIG. 4 is a right side elevational view thereof;
FIG. 5 is a left side elevational view thereof;
FIG. 6 is a top plan view thereof; and,
FIG. 7 is a bottom plan view thereof.
The broken line shown form no part of the claimed design.
The dash-dot lines represent the boundary and form no part of the claimed design.

1 Claim, 4 Drawing Sheets



(56)

References Cited

U.S. PATENT DOCUMENTS

D869,581 S	*	12/2019	Aguilar	D21/743
D869,582 S	*	12/2019	Rollinson	D21/743
D869,583 S	*	12/2019	Rollinson	D21/743
D873,358 S	*	1/2020	Lee	D21/744
D874,590 S	*	2/2020	Lee	D21/743
D898,845 S	*	10/2020	Clarke	D21/743
D898,846 S	*	10/2020	Clarke	D21/743
D898,847 S	*	10/2020	Clarke	D21/743

* cited by examiner

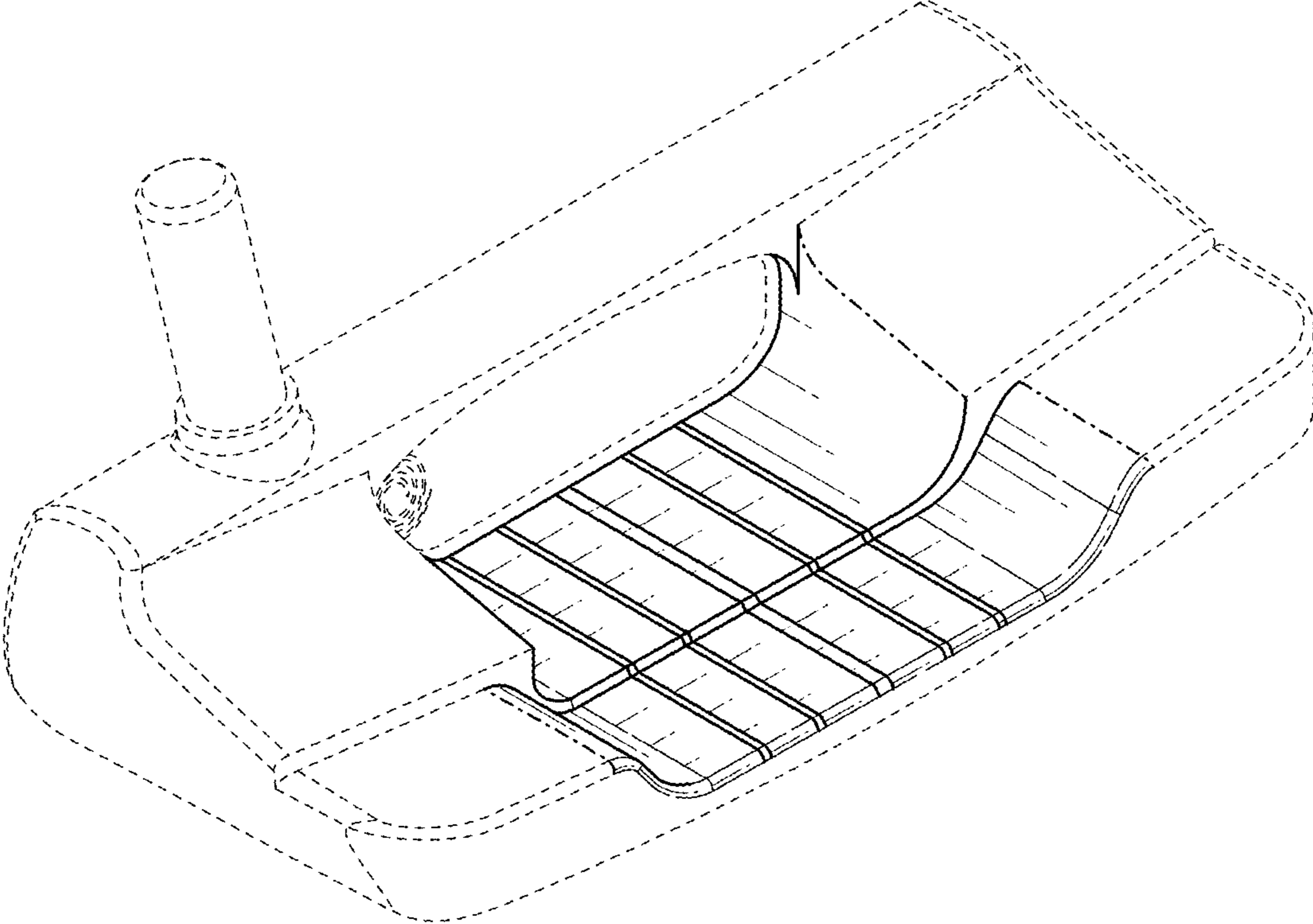


FIG. 1

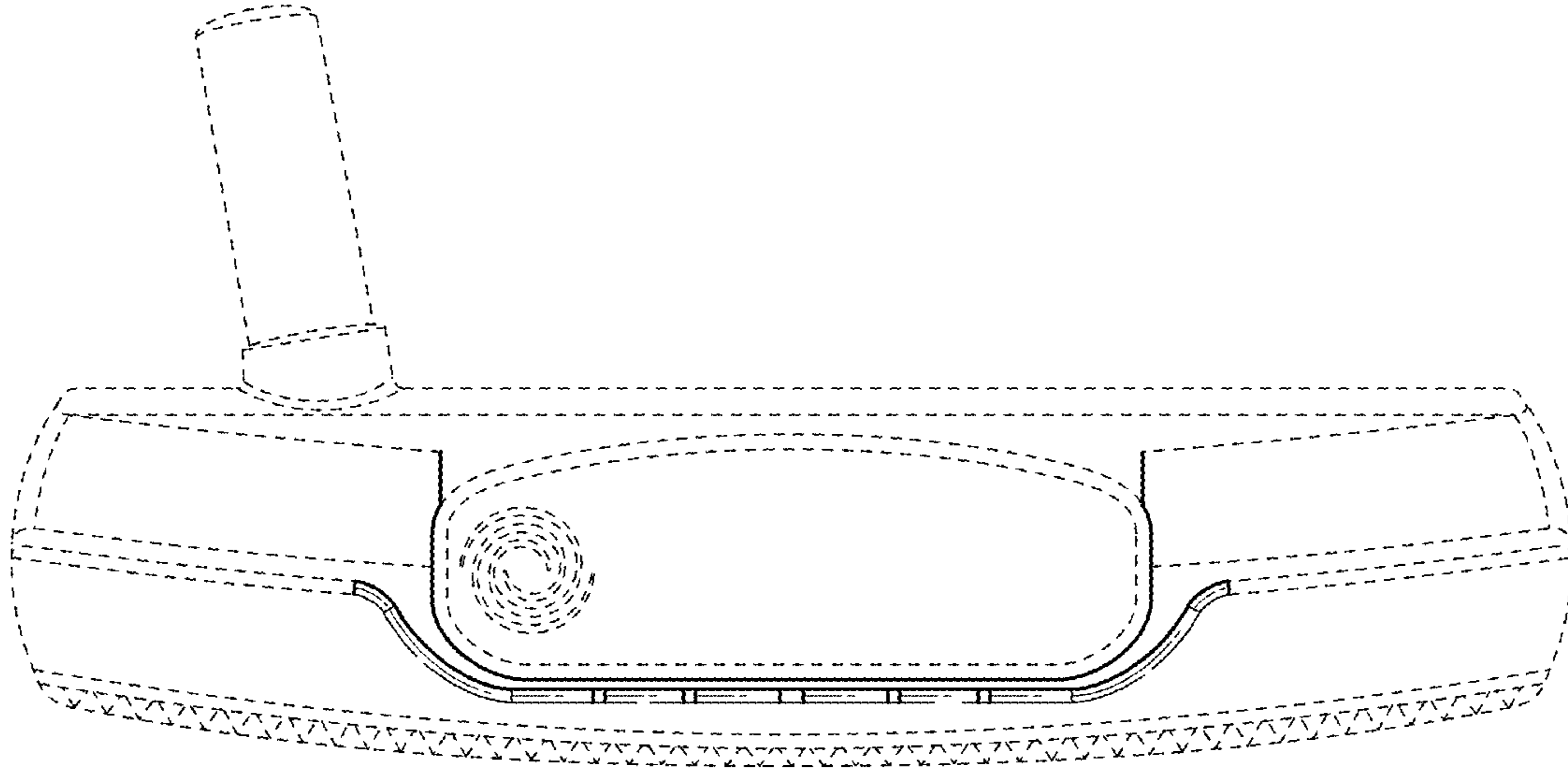


FIG. 2

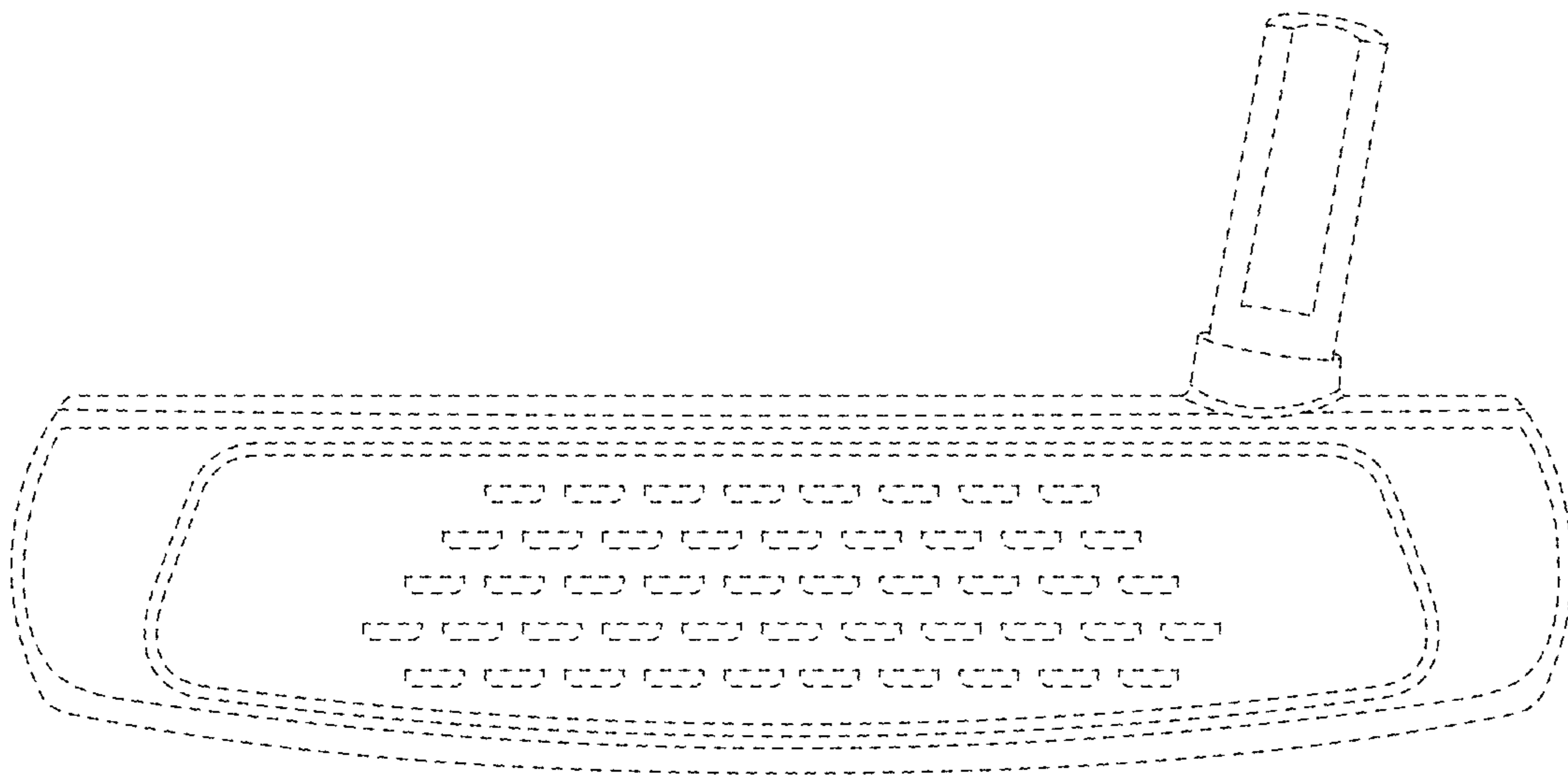


FIG. 3

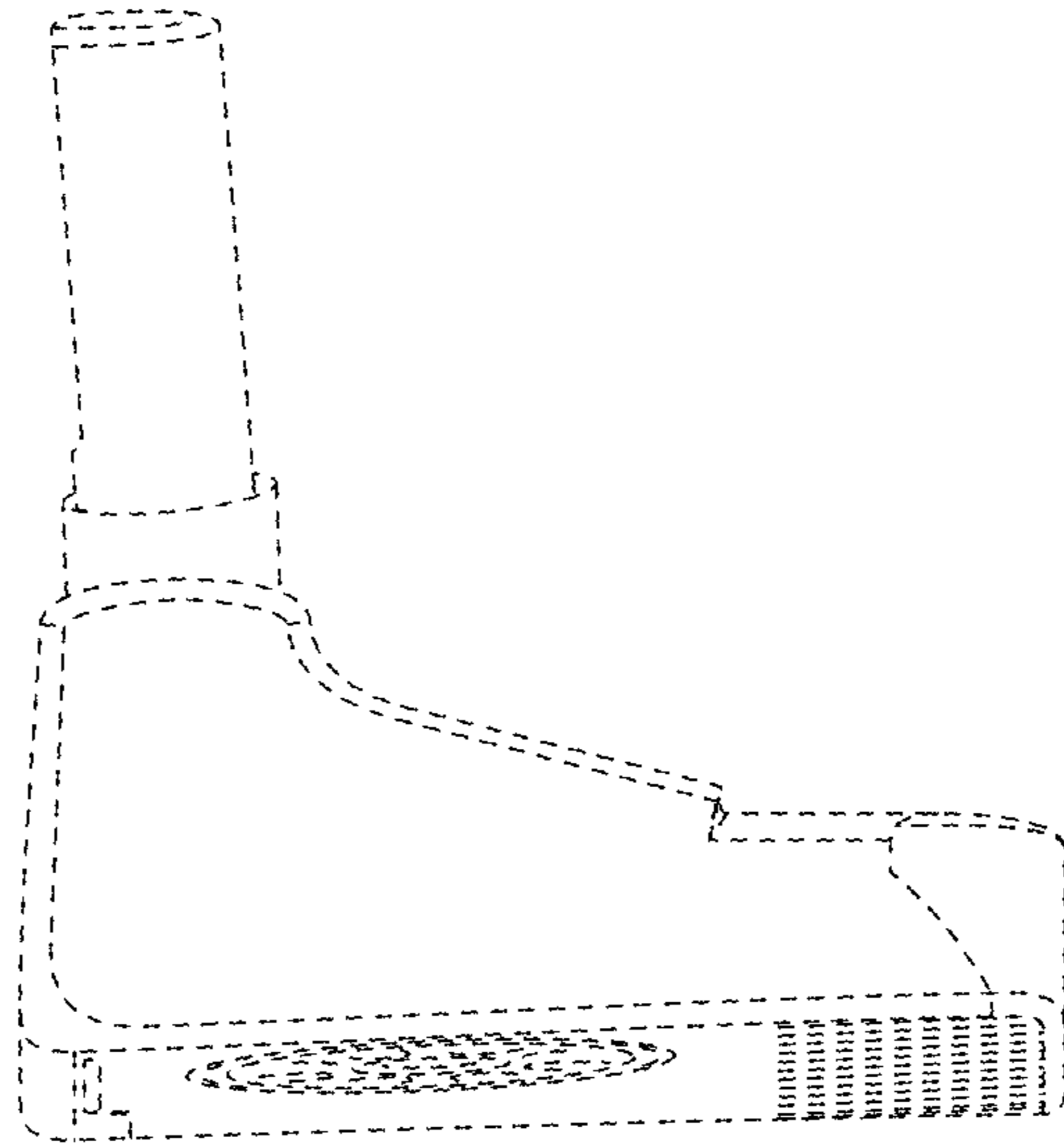


FIG. 4

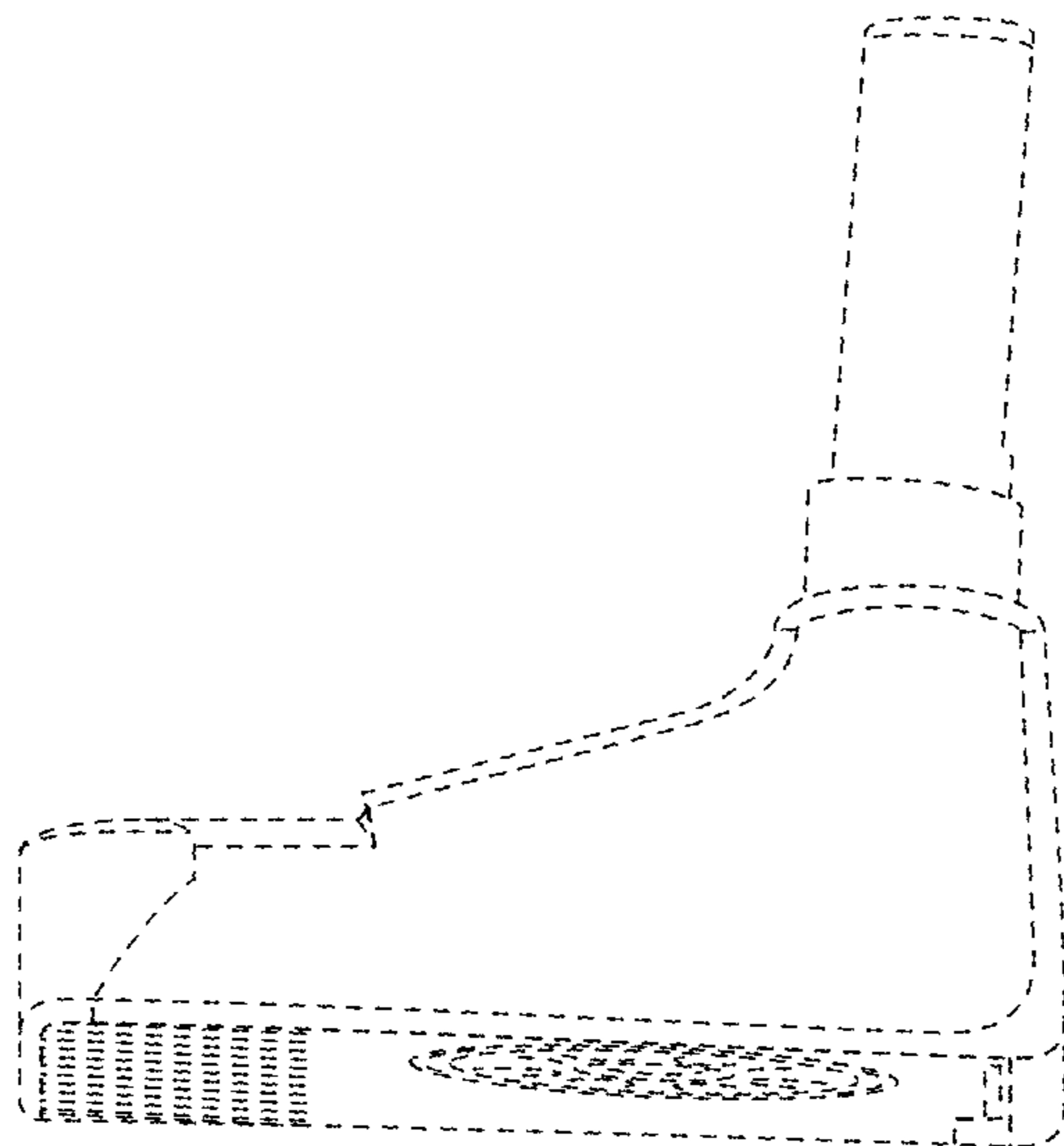


FIG. 5

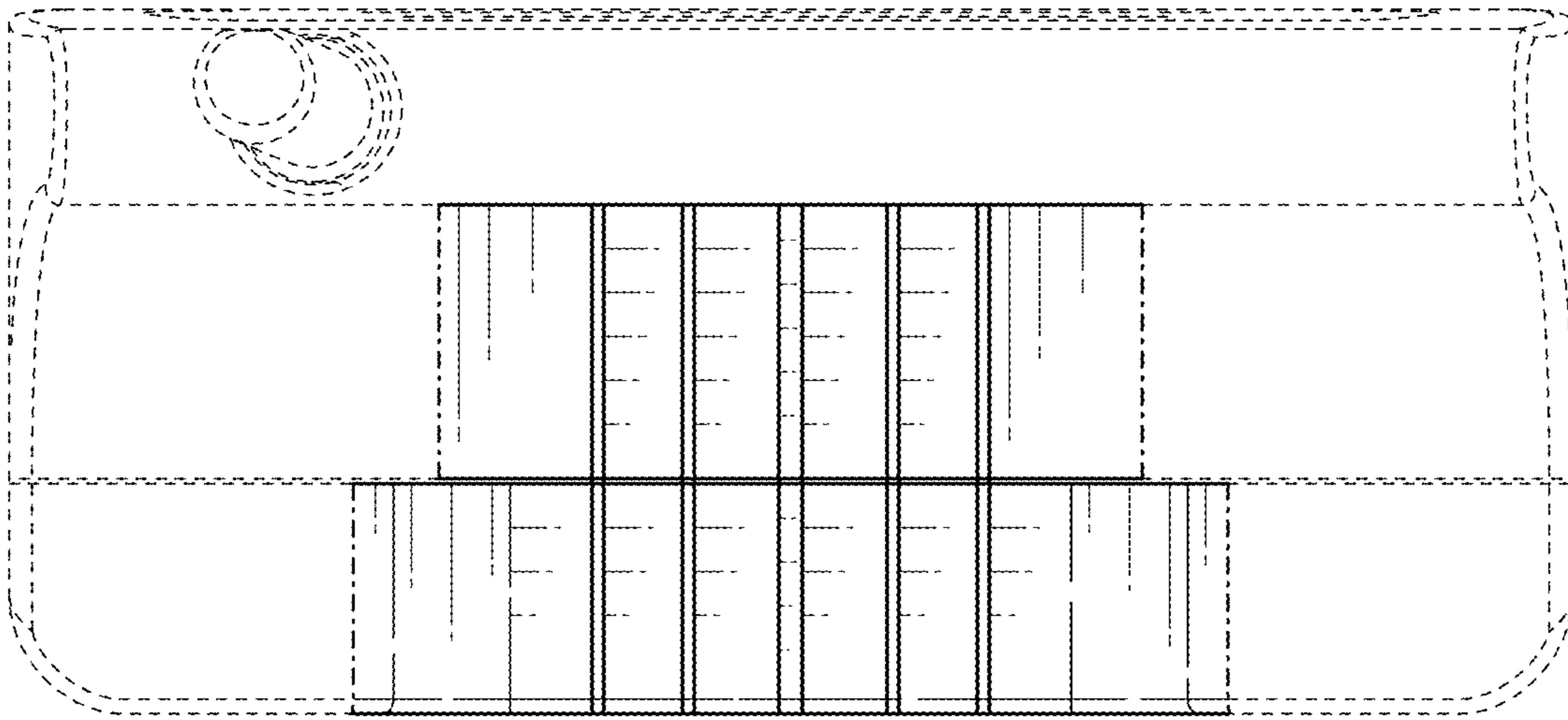


FIG. 6

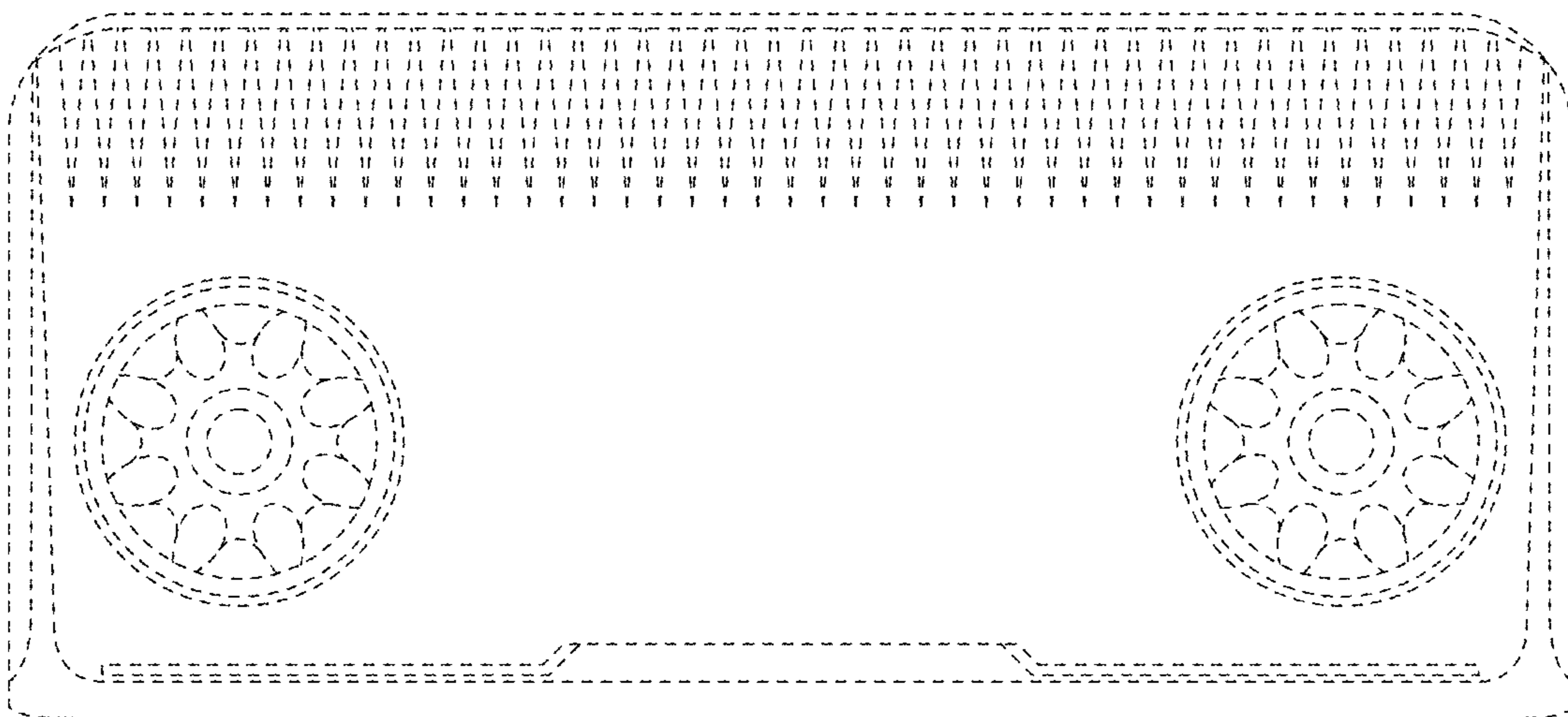


FIG. 7