



US00D905181S

(12) **United States Design Patent** (10) **Patent No.:** **US D905,181 S**
Xie (45) **Date of Patent:** **** Dec. 15, 2020**

(54) **PORTABLE SPORT NET** D751,658 S * 3/2016 Allshouse D21/699
D763,975 S * 8/2016 Orenstein D21/662
(71) Applicant: **DECATHLON**, Villeneuve d'Ascq D828,470 S * 9/2018 Lawhon, Jr. D21/705
(FR) 2015/0057109 A1* 2/2015 Chen A63B 61/02
473/416
(72) Inventor: **Ning Xie**, Shanghai (CN) 2015/0165289 A1* 6/2015 Chen A63B 61/003
473/478

(73) Assignee: **DECATHLON**, Villeneuve d'Ascq
(FR)

(**) Term: **15 Years**

(21) Appl. No.: **29/720,439**

(22) Filed: **Jan. 13, 2020**

Related U.S. Application Data

(62) Division of application No. 29/658,501, filed on Jul. 31, 2018, now Pat. No. Des. 877,827.

(30) **Foreign Application Priority Data**

Feb. 2, 2018 (EM) 004692010

(51) **LOC (12) Cl.** **21-02**

(52) **U.S. Cl.**
USPC **D21/705; D21/799.1**

(58) **Field of Classification Search**
USPC D21/305, 698, 705, 799.1, 799.2;
473/490-496
CPC A63B 2210/50; A63B 2210/58; A63B
61/00-04; A63B 61/02; A63B 67/04;
A63B 67/045; A63B 67/18; A63B
71/0036; A63B 71/0045; A63B 71/023;
A63B 71/028; A63B 2071/026; A63B
2243/0095; A63B 69/0095

See application file for complete search history.

(56) **References Cited**

U.S. PATENT DOCUMENTS

4,357,019 A * 11/1982 Wouters A63B 67/002
473/473
D722,660 S * 2/2015 Yuan D21/698

FOREIGN PATENT DOCUMENTS

CN 302082317 * 9/2012
CN 302362634 * 3/2013
CN 302589509 * 9/2013
CN 302721593 * 1/2014

(Continued)

Primary Examiner — Catherine A Tuttle

(74) *Attorney, Agent, or Firm* — Fross, Zelnick, Lehrman & Zissu, PC; Charles T. J. Weigell, Esq.

(57) **CLAIM**

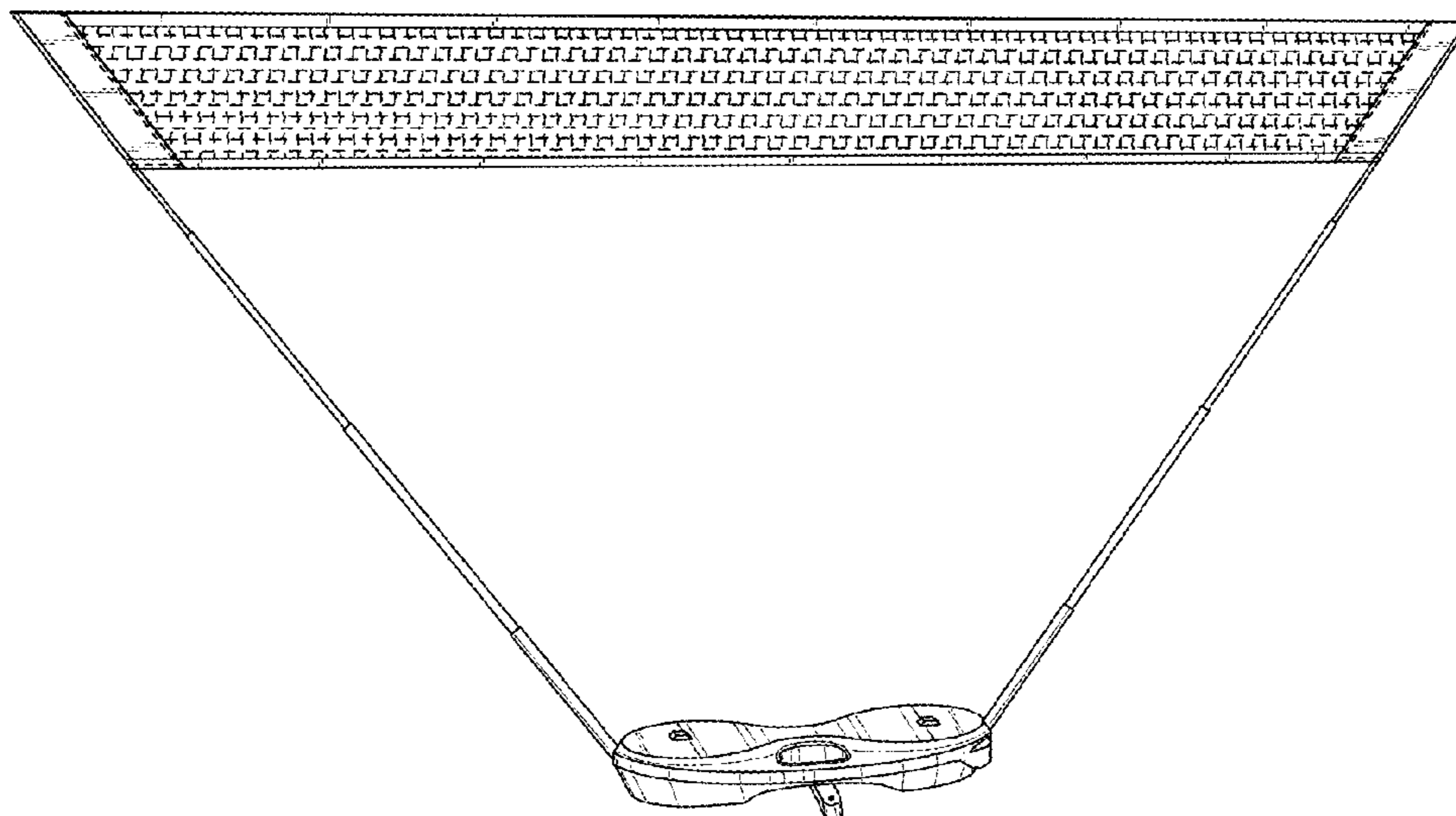
The ornamental design for a portable sport net, as shown and described.

DESCRIPTION

FIG. 1 is a front perspective view of a portable sport net showing my new design;
FIG. 2 is a front view thereof;
FIG. 3 is a back view thereof;
FIG. 4 is a left side view thereof;
FIG. 5 is a right side view thereof;
FIG. 6 is a top view thereof;
FIG. 7 is a bottom view thereof; and,
FIG. 8 is an enlarged scale view of the base portion of FIG. 1.

The broken line depiction of the netting and underside of the base shown in FIG. 7 form no part of the claimed design.

1 Claim, 6 Drawing Sheets



(56)

References Cited

FOREIGN PATENT DOCUMENTS

CN	303000700	* 11/2014
CN	303396532	* 9/2015
CN	304006782	* 1/2017

* cited by examiner

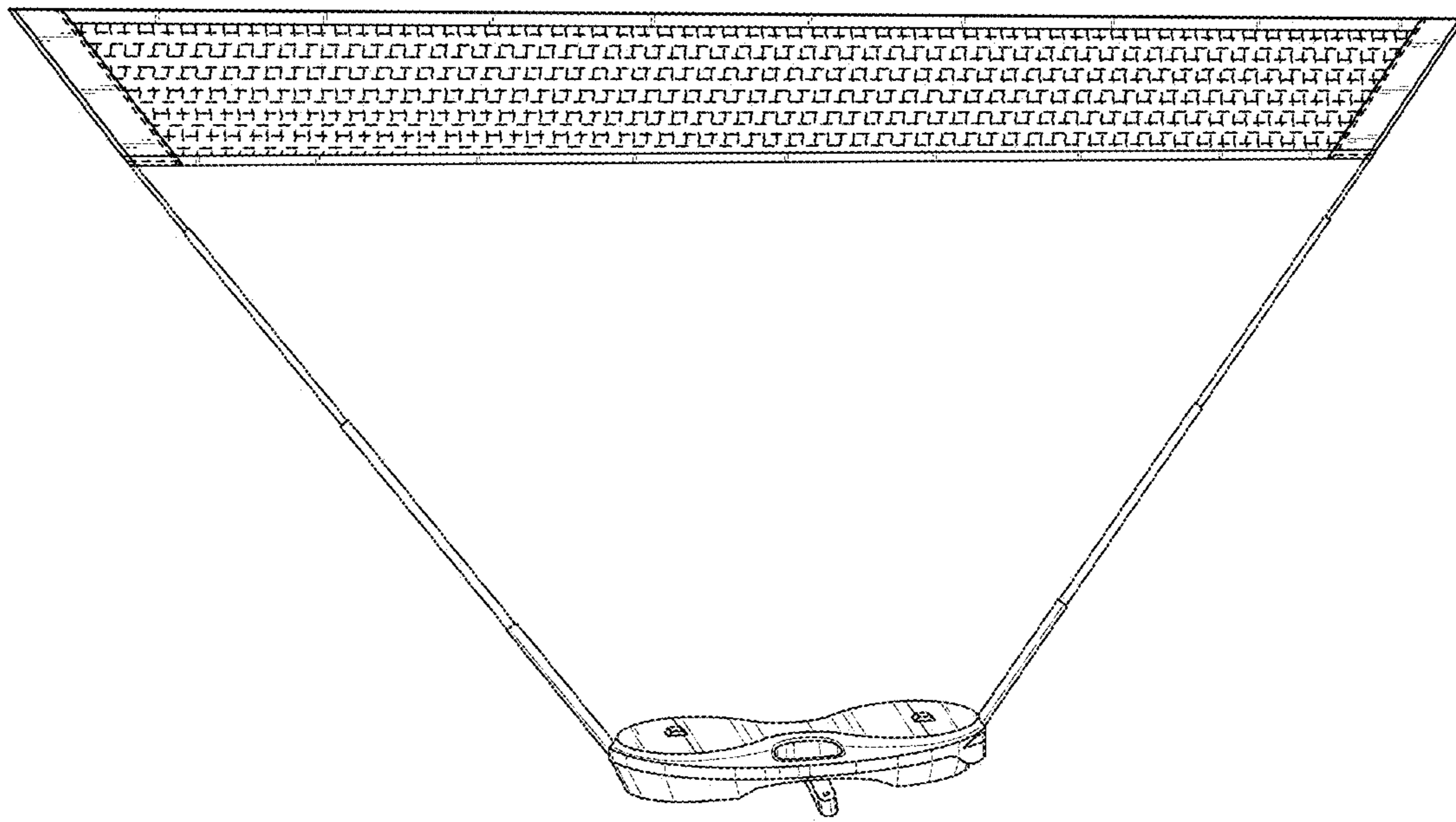


FIG. 1

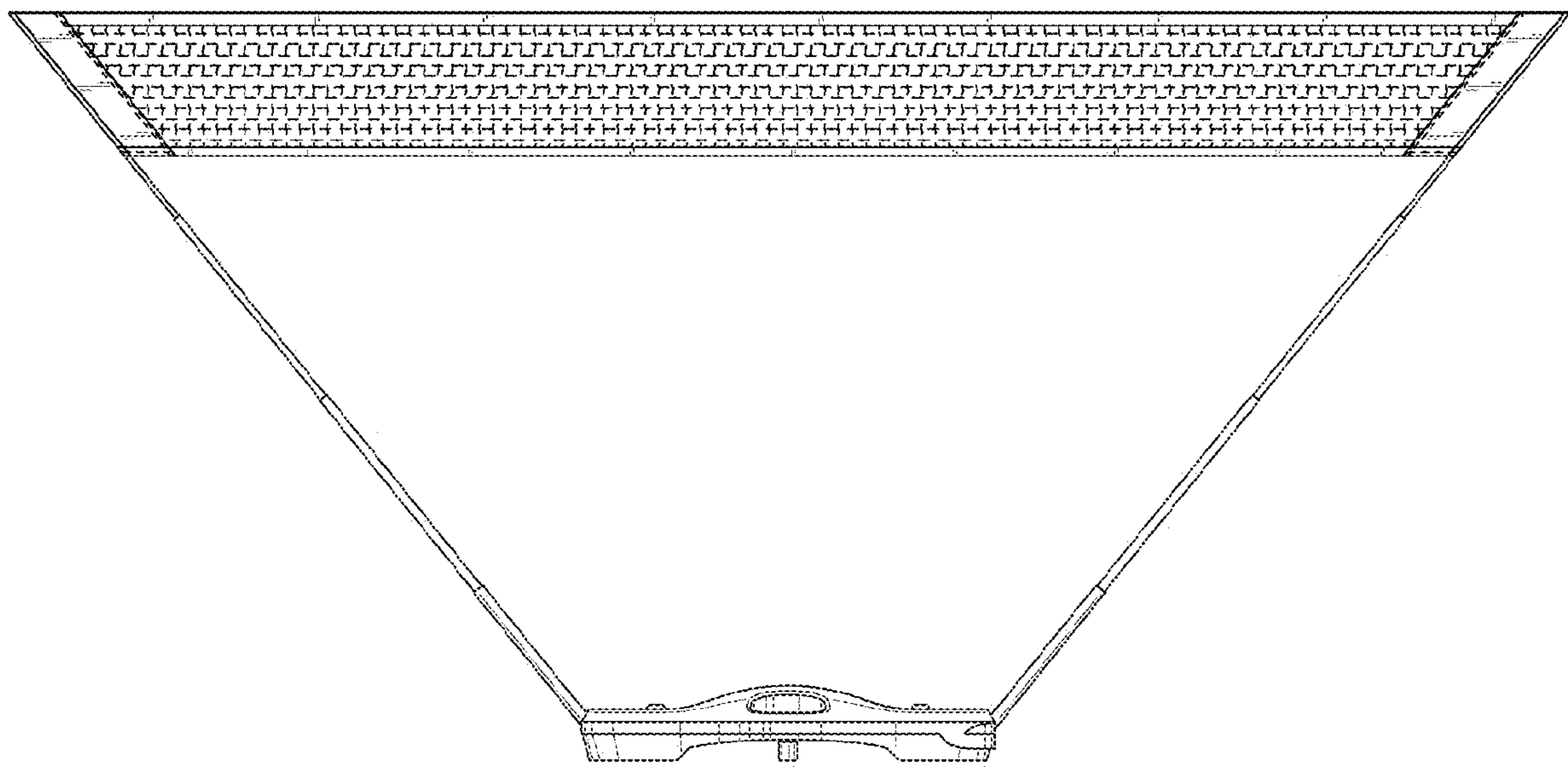


FIG. 2

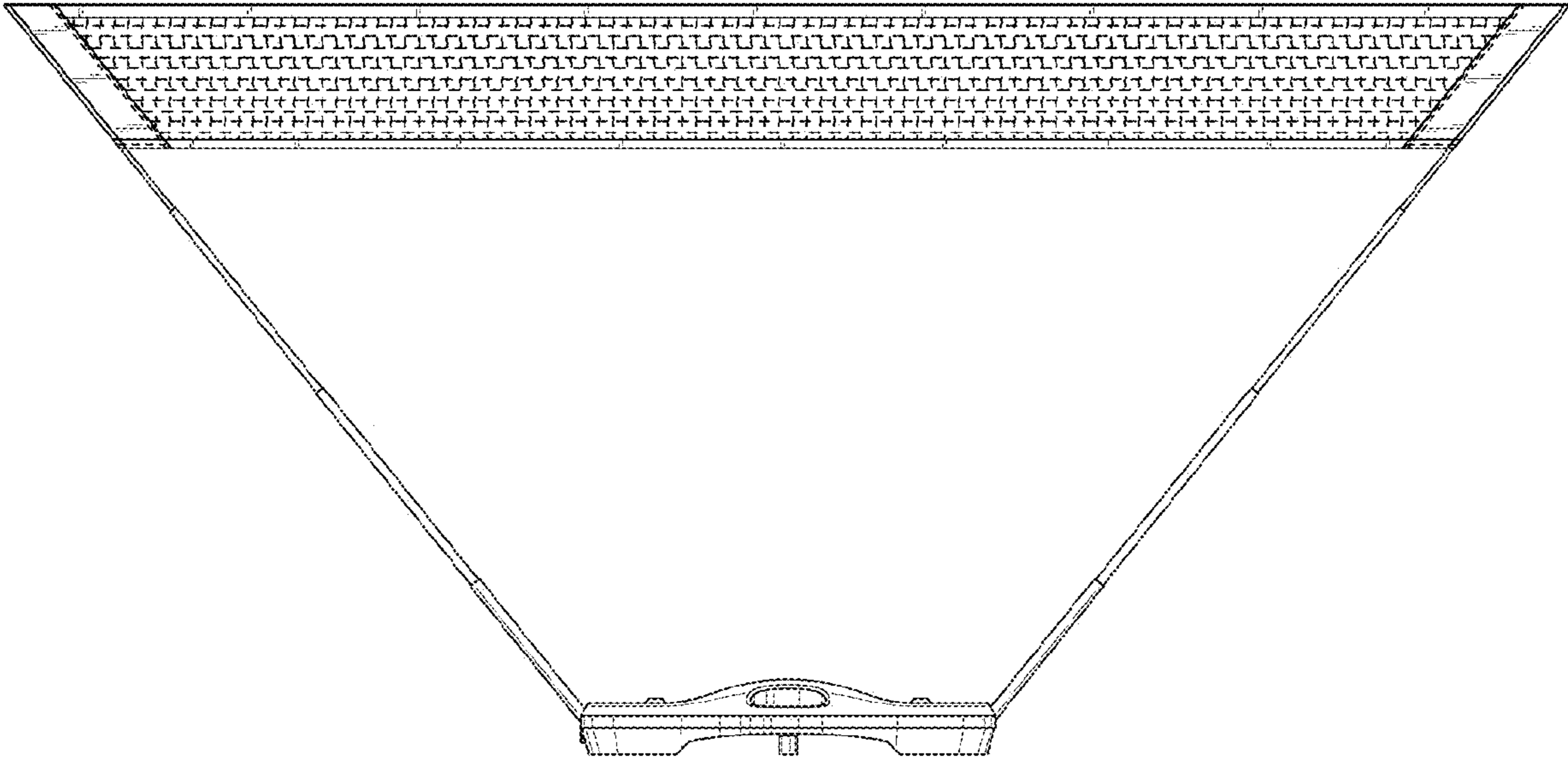


FIG. 3

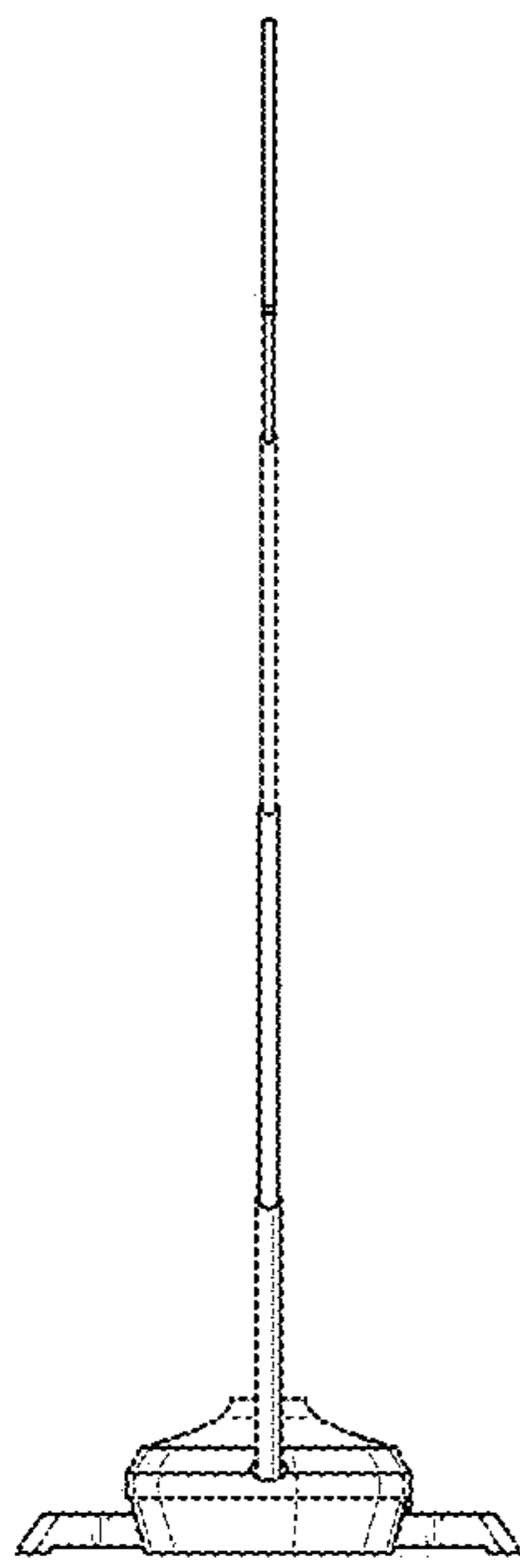


FIG. 4

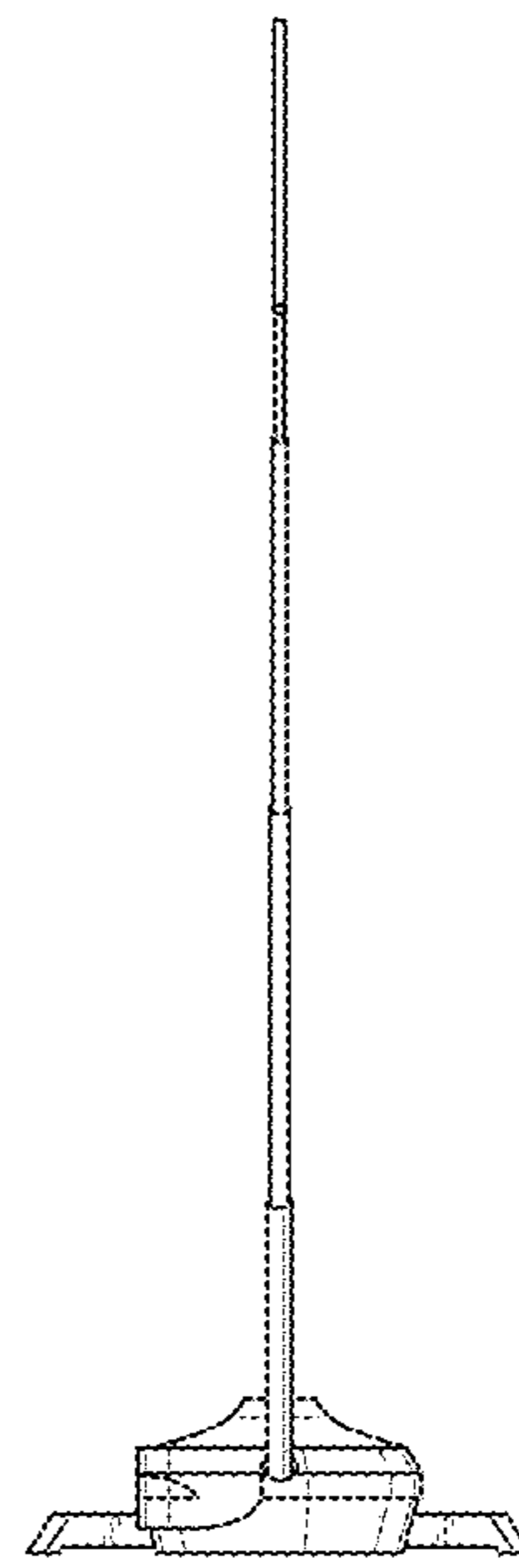


FIG. 5

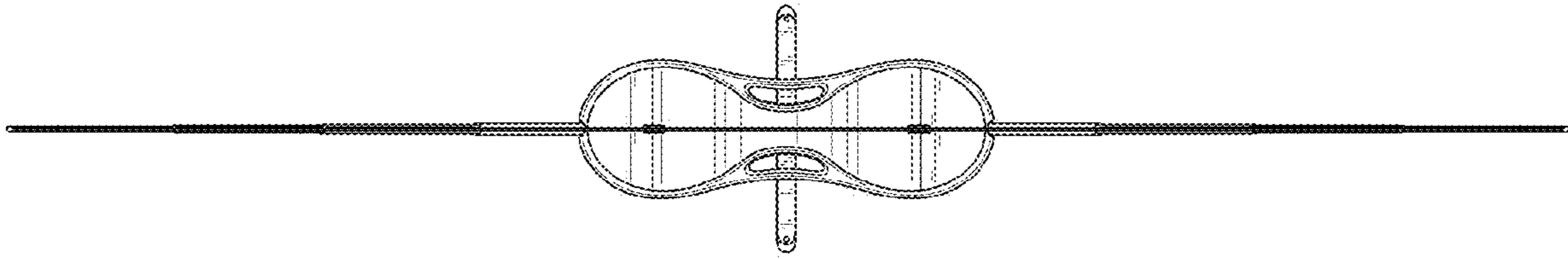


FIG. 6

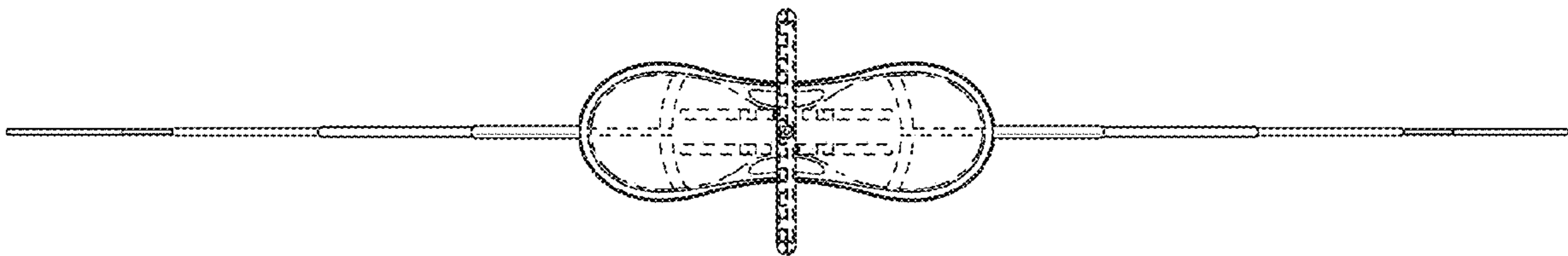


FIG. 7

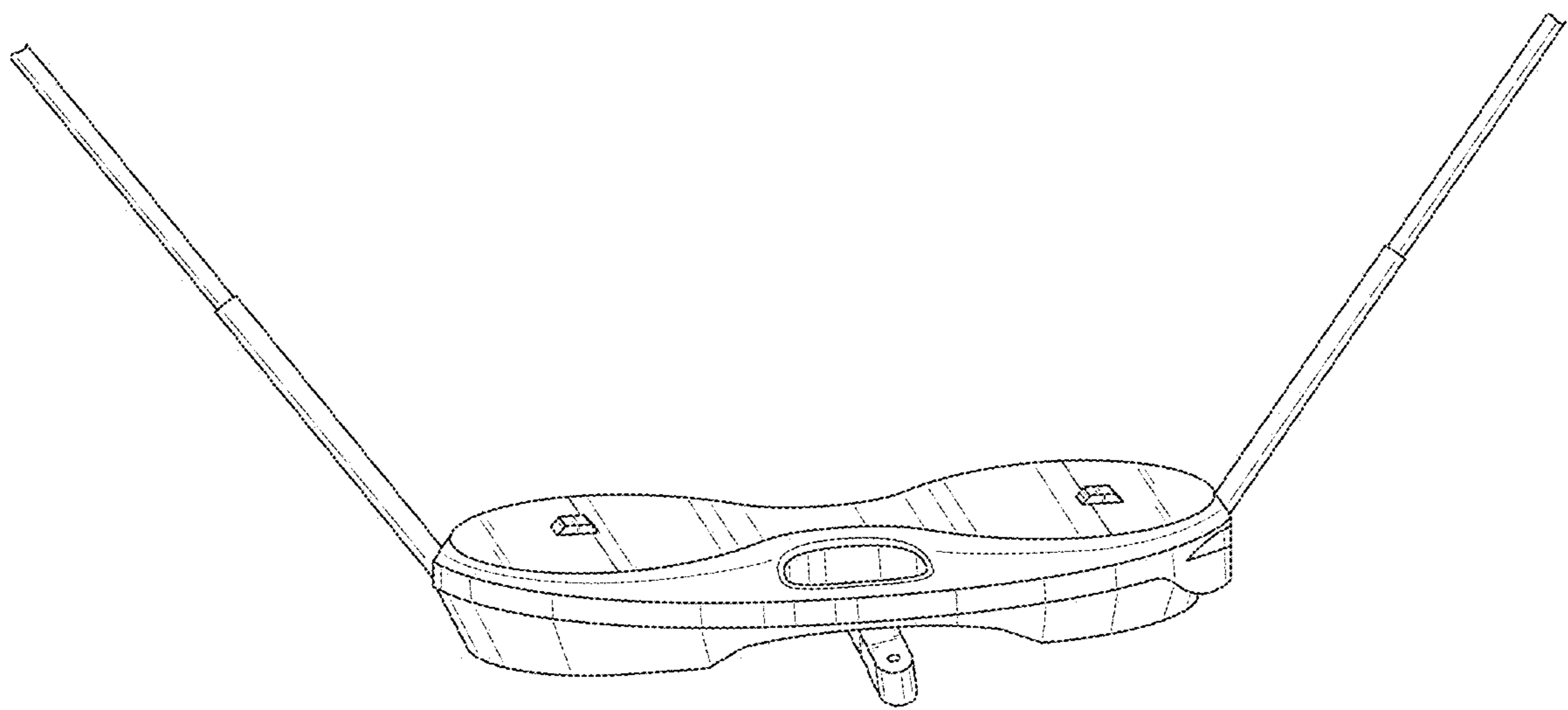


FIG. 8