



US00D905180S

(12) **United States Design Patent** (10) **Patent No.:** **US D905,180 S**
Karvandi (45) **Date of Patent:** **** Dec. 15, 2020**

(54) **PSOAS MASSAGER**
(71) Applicant: **Kusha Karvandi**, Scottsdale, AZ (US)
(72) Inventor: **Kusha Karvandi**, Scottsdale, AZ (US)
(73) Assignee: **Exerscribe IP LLC**, Jackson, WY (US)
(**) Term: **15 Years**
(21) Appl. No.: **29/721,924**

D411,304 S 6/1999 Yang
D413,985 S 9/1999 Martin et al.
D422,086 S 3/2000 Chen
6,183,429 B1 2/2001 Dervieux
6,810,542 B1 11/2004 Mitchell
7,427,274 B2 9/2008 Harris, Jr. et al.
D584,863 S 1/2009 Garry et al.
D586,470 S 2/2009 Warder
D615,662 S * 5/2010 Turner D24/200
D649,253 S * 11/2011 Held D24/183
D652,935 S 1/2012 Held
D657,468 S * 4/2012 Held D24/184
D684,702 S 6/2013 Cho

(Continued)

(22) Filed: **Jan. 24, 2020**
(51) **LOC (12) Cl.** **21-02**
(52) **U.S. Cl.**
USPC **D21/694; D24/200**
(58) **Field of Classification Search**
USPC D21/691, 464, 662, 498, 681; 482/121,
482/108; D24/211, 184, 183, 200, 215,
D24/214, 155; D6/601; 601/120, 27,
601/121; D30/160
CPC A61H 15/00; A61H 15/0092; A61H
2205/081; A61H 2015/0042; A61H
2201/1284; A61H 2205/12; A61H 39/04;
A61H 2015/0014
See application file for complete search history.

Primary Examiner — Ryan Harvey
(74) *Attorney, Agent, or Firm* — Dunlap Bennett &
Ludwig, PLLC; Brendan E. Squire

(57) **CLAIM**

The ornamental design for a psoas massager, as shown and described.

DESCRIPTION

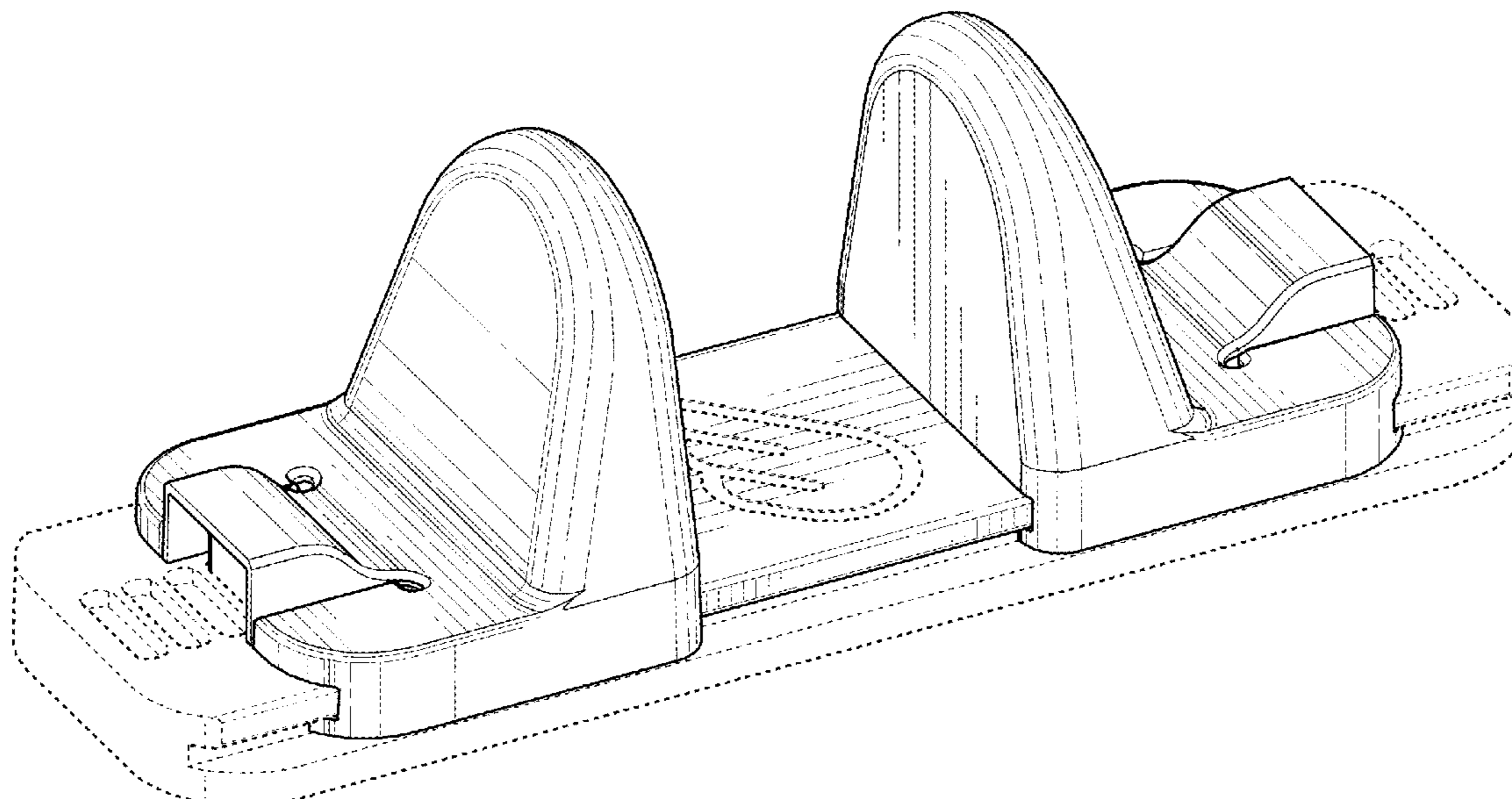
FIG. 1 is a perspective view of the psoas massager showing my new design.
FIG. 2 is a front elevation view of the torso massage device.
FIG. 3 is a back elevation view thereof.
FIG. 4 is a left elevation view thereof.
FIG. 5 is a right elevation view thereof.
FIG. 6 is a top plan view thereof.
FIG. 7 is a bottom plan view thereof.
FIG. 8 is a perspective view thereof in the expanded position; and,
FIG. 9 is an in use view thereof in the expanded position.
The broken lines shown in the drawings illustrate portions of the psoas massager that form no part of the claimed design.
The broken lines in FIG. 9 showing the psoas massager in use illustrates environment and forms no part of the claim.

(56) **References Cited**

U.S. PATENT DOCUMENTS

| | | | |
|--------------|---------|----------|--------------|
| 4,207,878 A | 6/1980 | Duncan | |
| D290,654 S | 6/1987 | Ohnishi | |
| D299,169 S | 12/1988 | Hall | |
| D310,416 S | 9/1990 | Yamasaki | |
| D310,879 S | 9/1990 | Matlock | |
| D312,694 S | 12/1990 | Yanazaki | |
| 5,305,738 A | 4/1994 | Shimizu | |
| D370,820 S * | 6/1996 | Kilbey | D6/596 |
| D373,195 S | 8/1996 | Hoff | |
| D374,083 S | 9/1996 | Duh | |
| D382,543 S | 8/1997 | Tsung | |

1 Claim, 8 Drawing Sheets



(56)

References Cited

U.S. PATENT DOCUMENTS

D697,629 S 1/2014 Kim
D697,630 S * 1/2014 Turner D24/215
D707,358 S 6/2014 Mantilla
D725,407 S * 3/2015 McCracken D6/601
D767,767 S 9/2016 Moerth-Cross
D823,479 S 7/2018 Mollohan
D825,770 S 8/2018 Siemer
D847,357 S * 4/2019 Goncharov D24/200
D853,575 S 7/2019 Fleming
D871,108 S * 12/2019 Yang D6/601
D879,989 S * 3/2020 Mollohan D24/215
2005/0242639 A1 11/2005 Ha
2011/0087139 A1 4/2011 Ferber et al.
2014/0150184 A1 * 6/2014 Jones A47G 9/1081
5/636
2017/0360652 A1 12/2017 Burns et al.

* cited by examiner

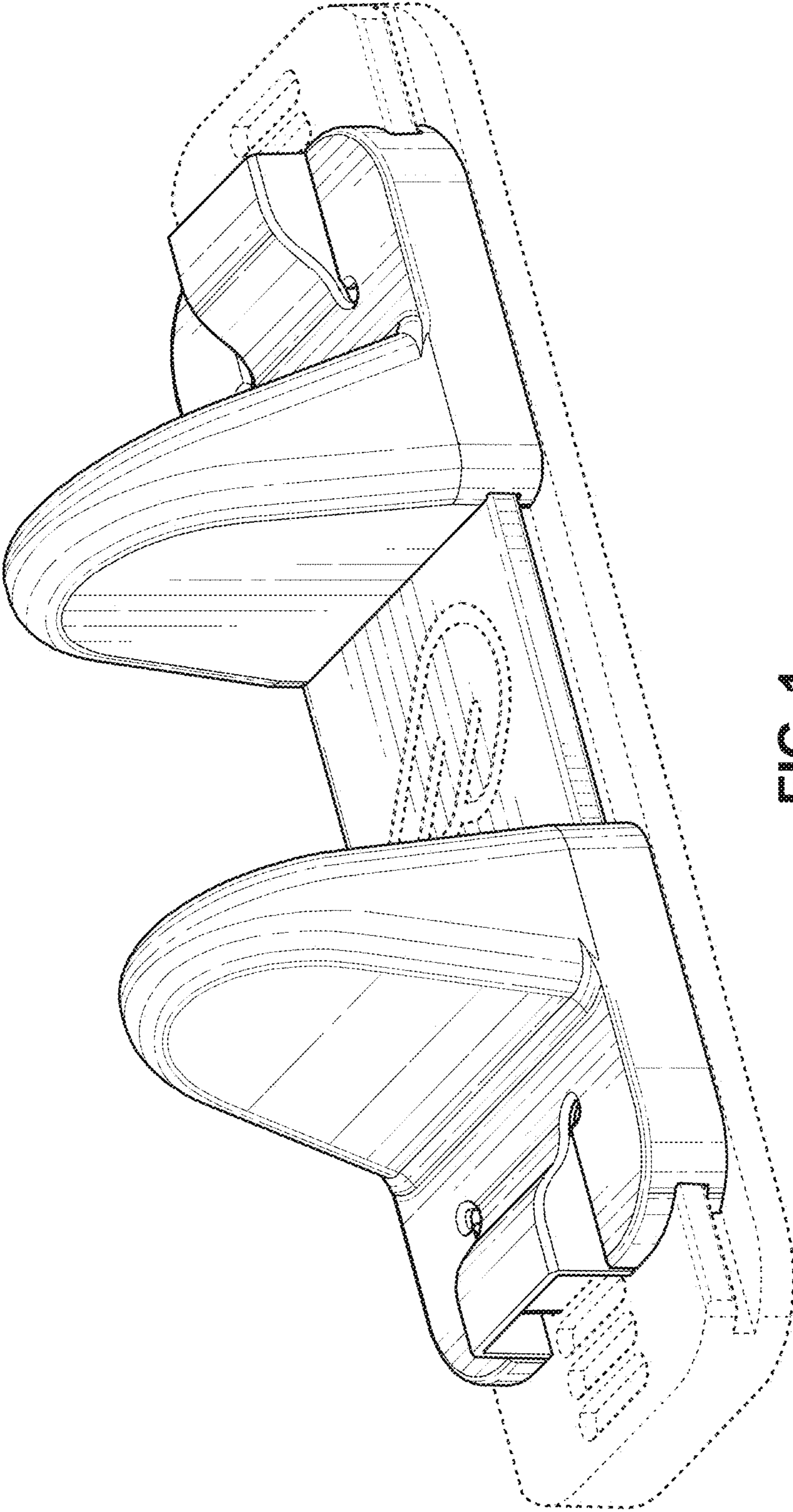


FIG. 1

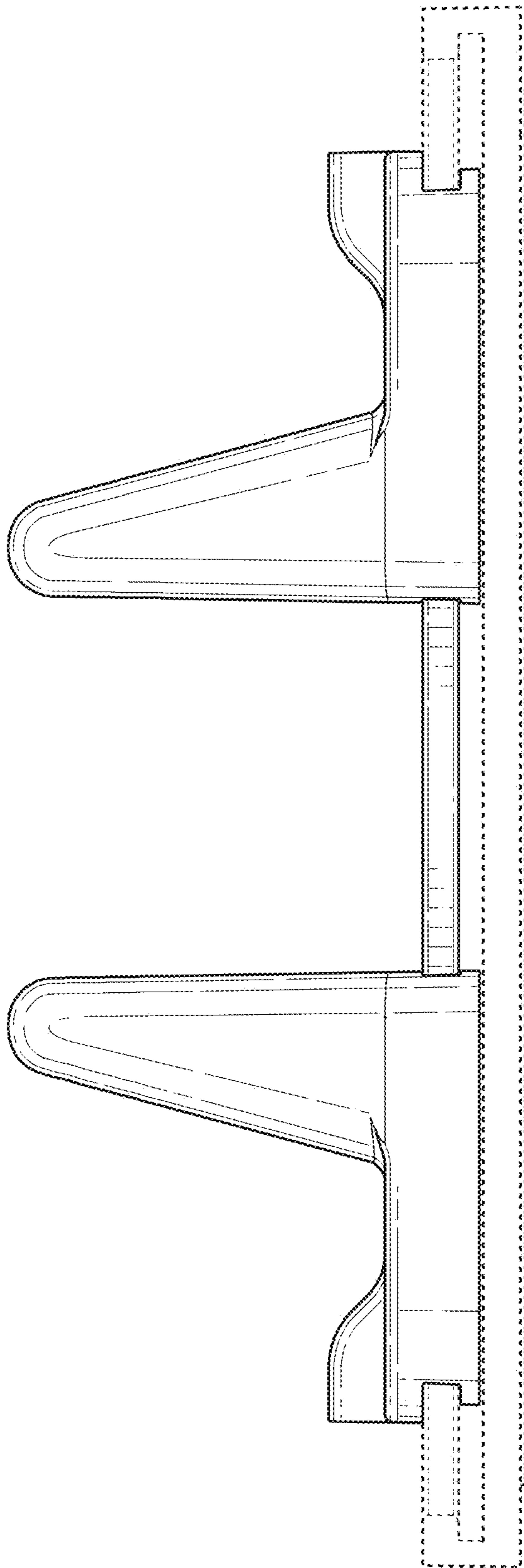


FIG. 2

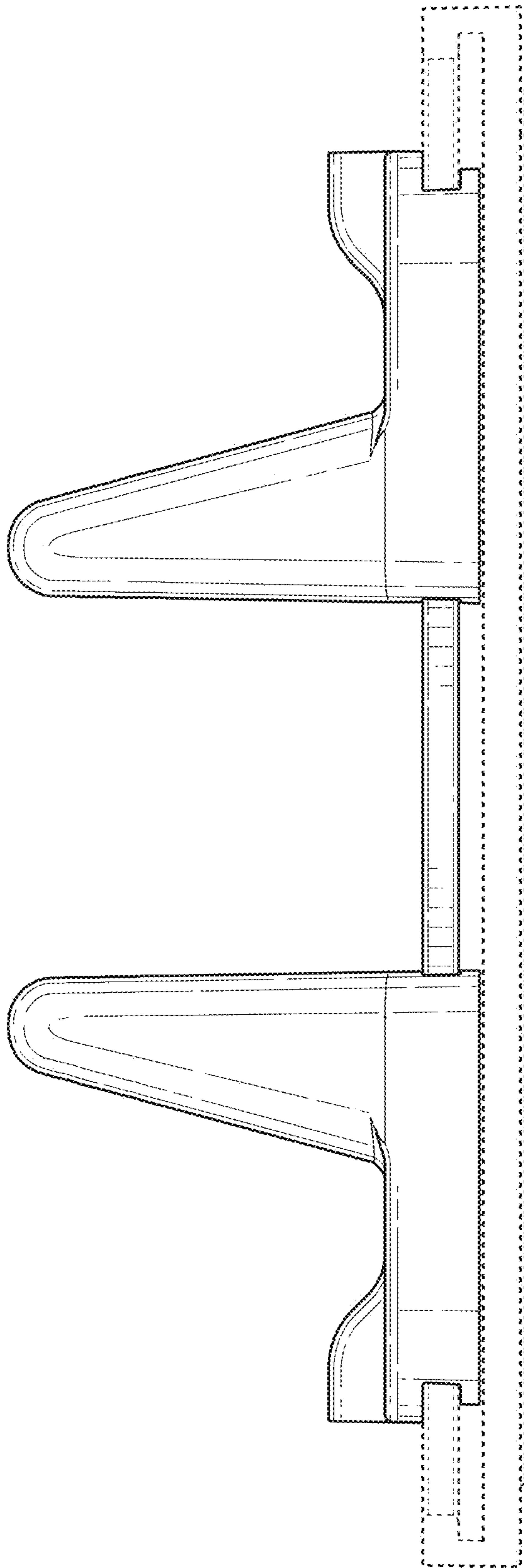


FIG. 3

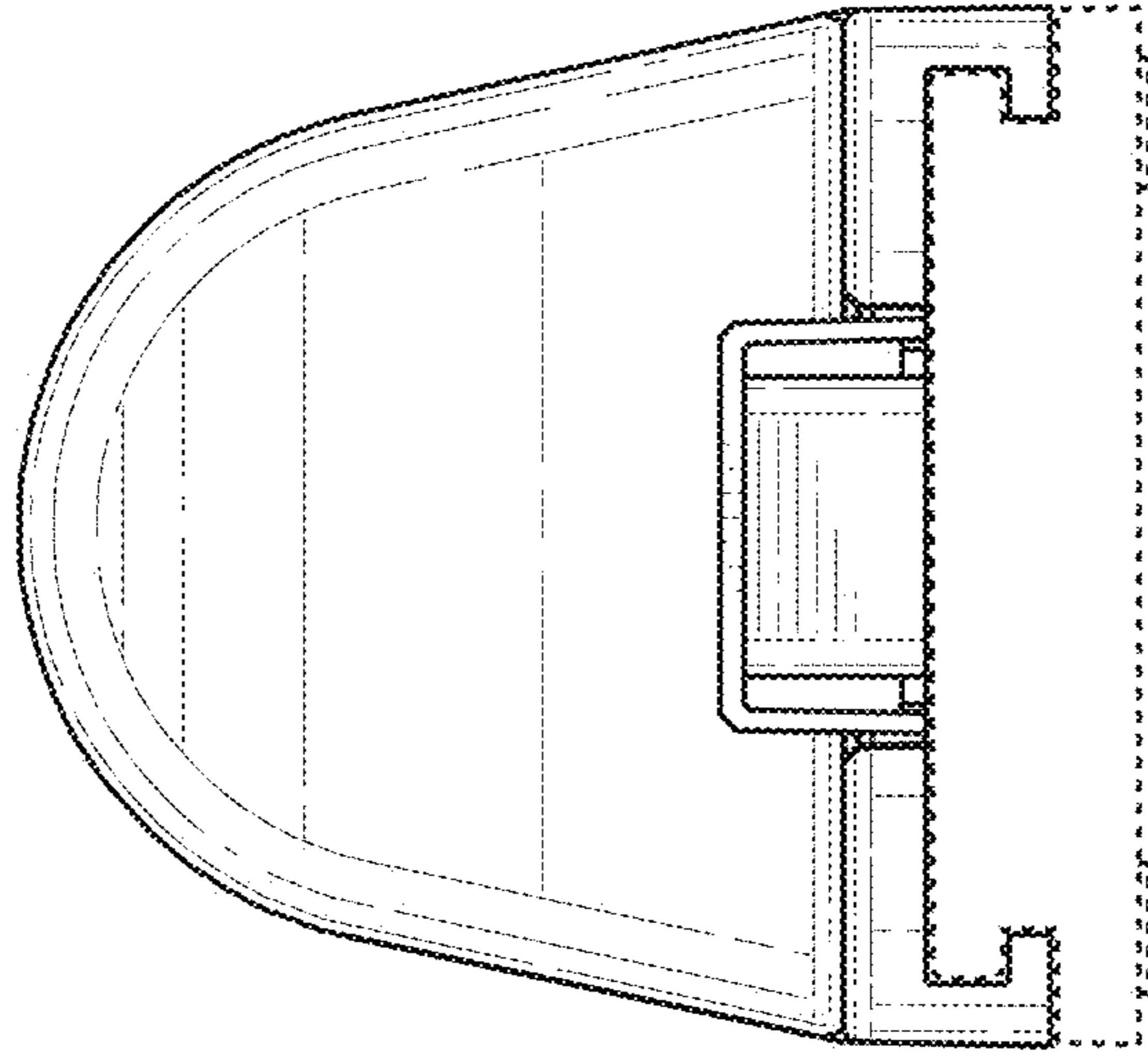


FIG. 5

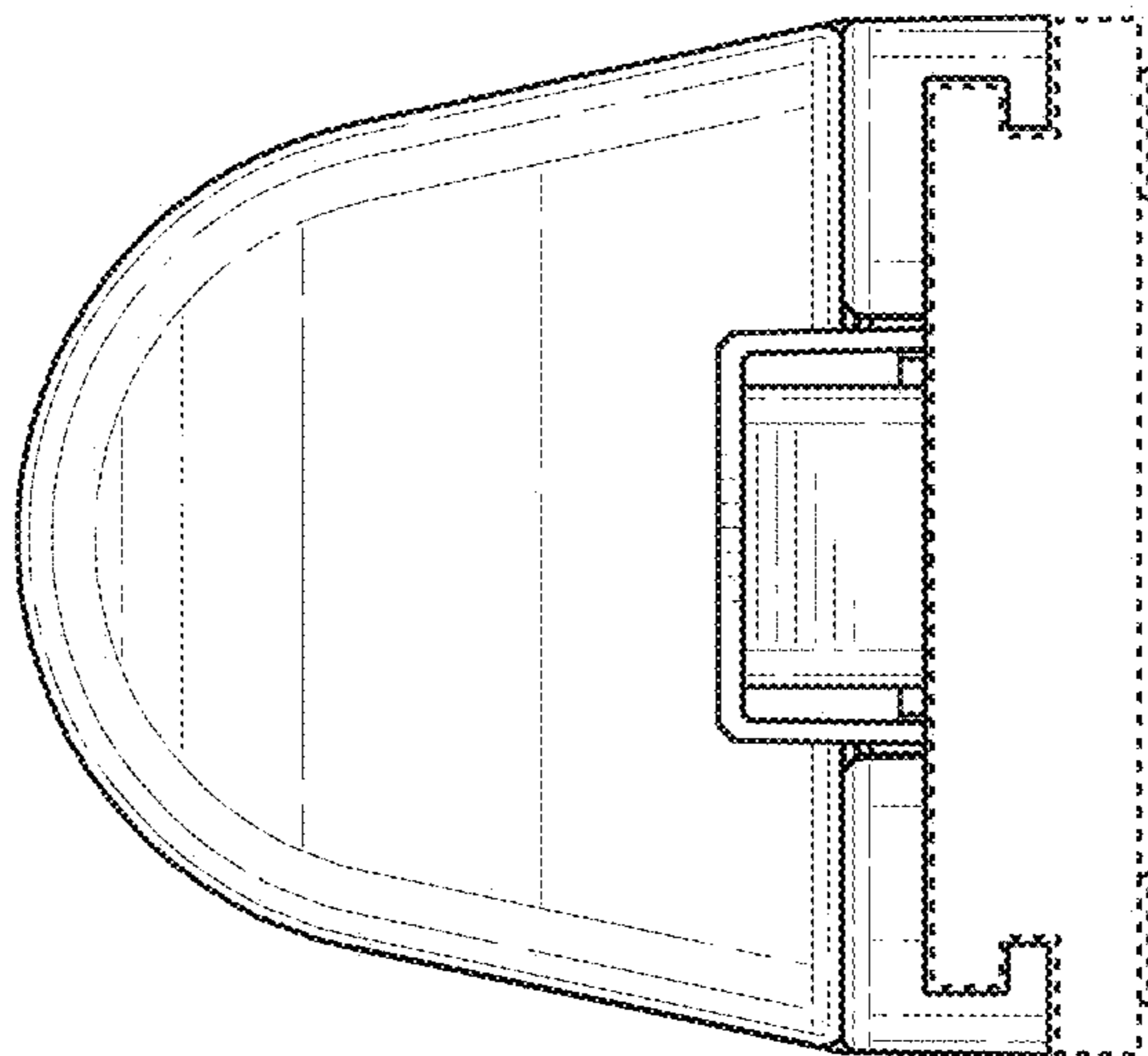


FIG. 4

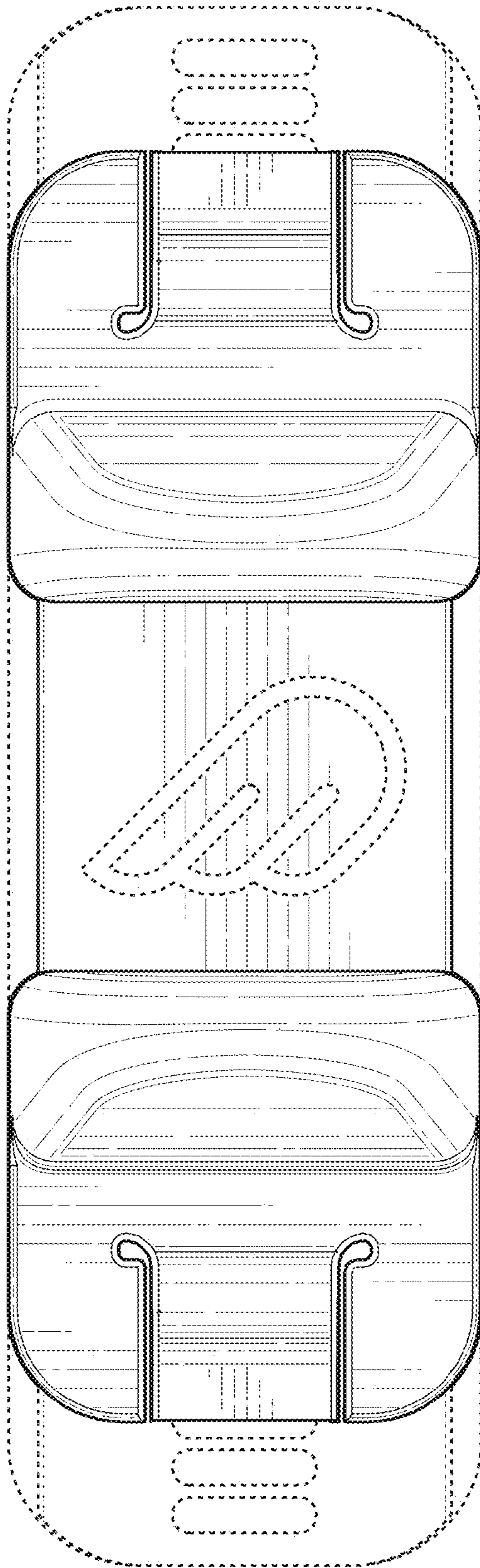


FIG. 6

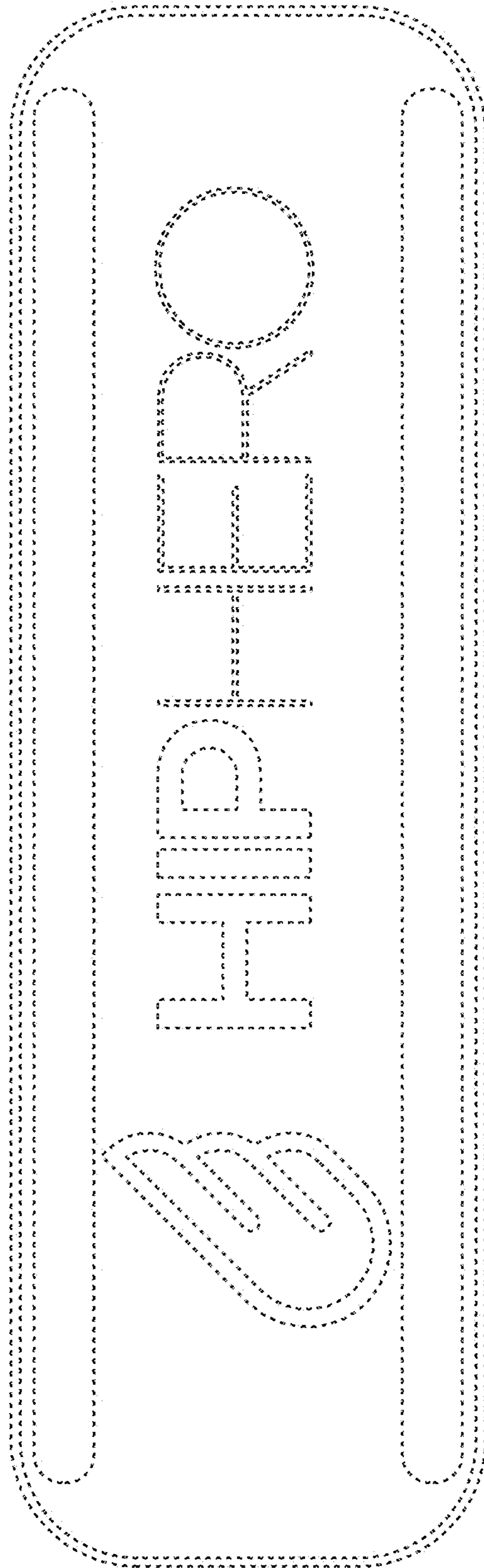


FIG. 7

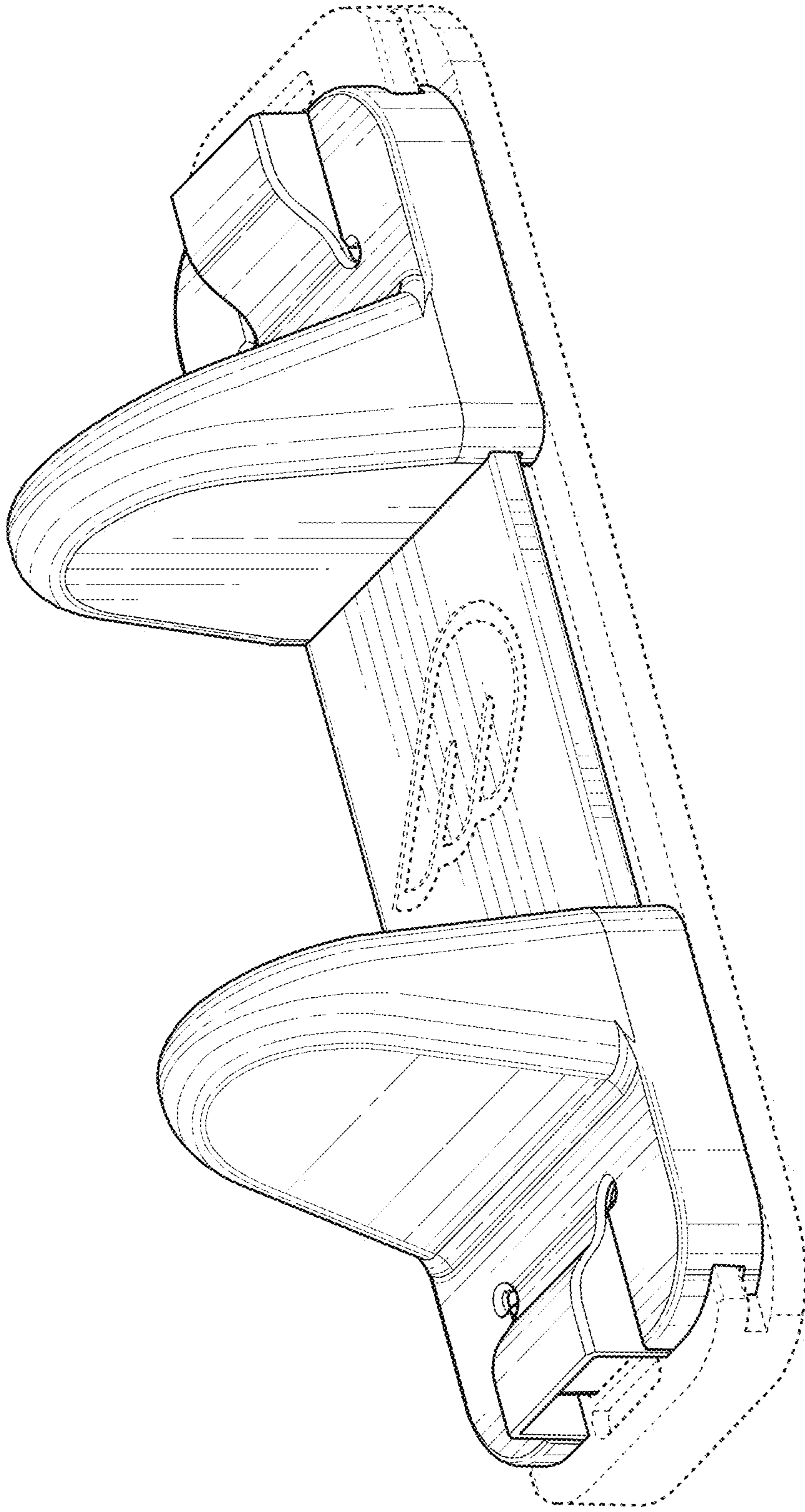


FIG. 8

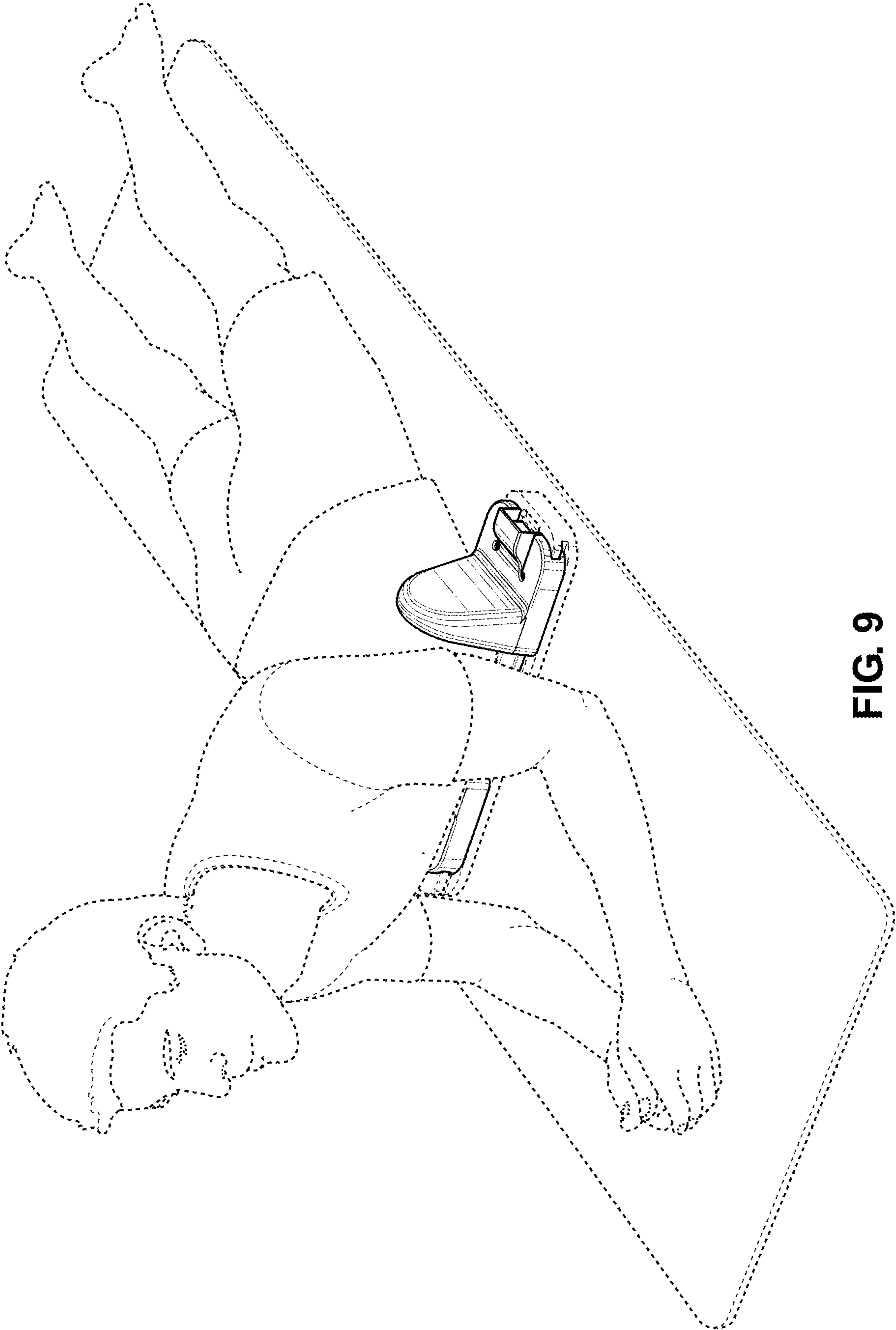


FIG. 9