



US00D905179S

(12) **United States Design Patent**  
**Kennington**

(10) **Patent No.:** **US D905,179 S**

(45) **Date of Patent:** **\*\* Dec. 15, 2020**

- (54) **EXERCISE KIOSK**
- (71) Applicant: **Flexline Fitness, Inc.**, Agoura, CA (US)
- (72) Inventor: **Brandon Kennington**, Westlake Village, CA (US)
- (73) Assignee: **FLEXLINE FITNESS, INC.**, Westlake Village, CA (US)
- (\*\*) Term: **15 Years**
- (21) Appl. No.: **29/642,264**
- (22) Filed: **Mar. 28, 2018**
- (51) **LOC (12) Cl.** ..... **21-02**
- (52) **U.S. Cl.**  
USPC ..... **D21/673**
- (58) **Field of Classification Search**  
USPC ... 482/99, 100, 136, 139, 129, 130, 92, 103,  
482/138; D21/694, 675, 673, 662, 676,  
D21/686; D25/16  
CPC ..... A63B 21/4035; A63B 21/0628; A63B  
21/154; A63B 21/00065; A63B 21/00069;  
A63B 21/06; A63B 21/063  
See application file for complete search history.

(56) **References Cited**

**U.S. PATENT DOCUMENTS**

- 6,296,594 B1 \* 10/2001 Simonson ..... A63B 21/154  
482/102
- 7,172,538 B2 \* 2/2007 Keiser ..... A63B 21/0087  
482/140
- D586,410 S \* 2/2009 Citterio ..... D21/673
- 7,601,105 B1 \* 10/2009 Gipson, III ..... A63B 21/055  
482/103
- 7,608,024 B2 \* 10/2009 Sechrest ..... A63B 21/154  
482/103
- D612,437 S \* 3/2010 Fenster ..... D21/675

- 8,096,926 B1 \* 1/2012 Batca ..... A63B 21/00058  
482/92
- D679,764 S \* 4/2013 Alessandri ..... D21/662
- 8,500,607 B2 \* 8/2013 Vittone ..... A63B 21/151  
482/102

(Continued)

*Primary Examiner* — Ryan Harvey

(74) *Attorney, Agent, or Firm* — Cislo & Thomas, LLP

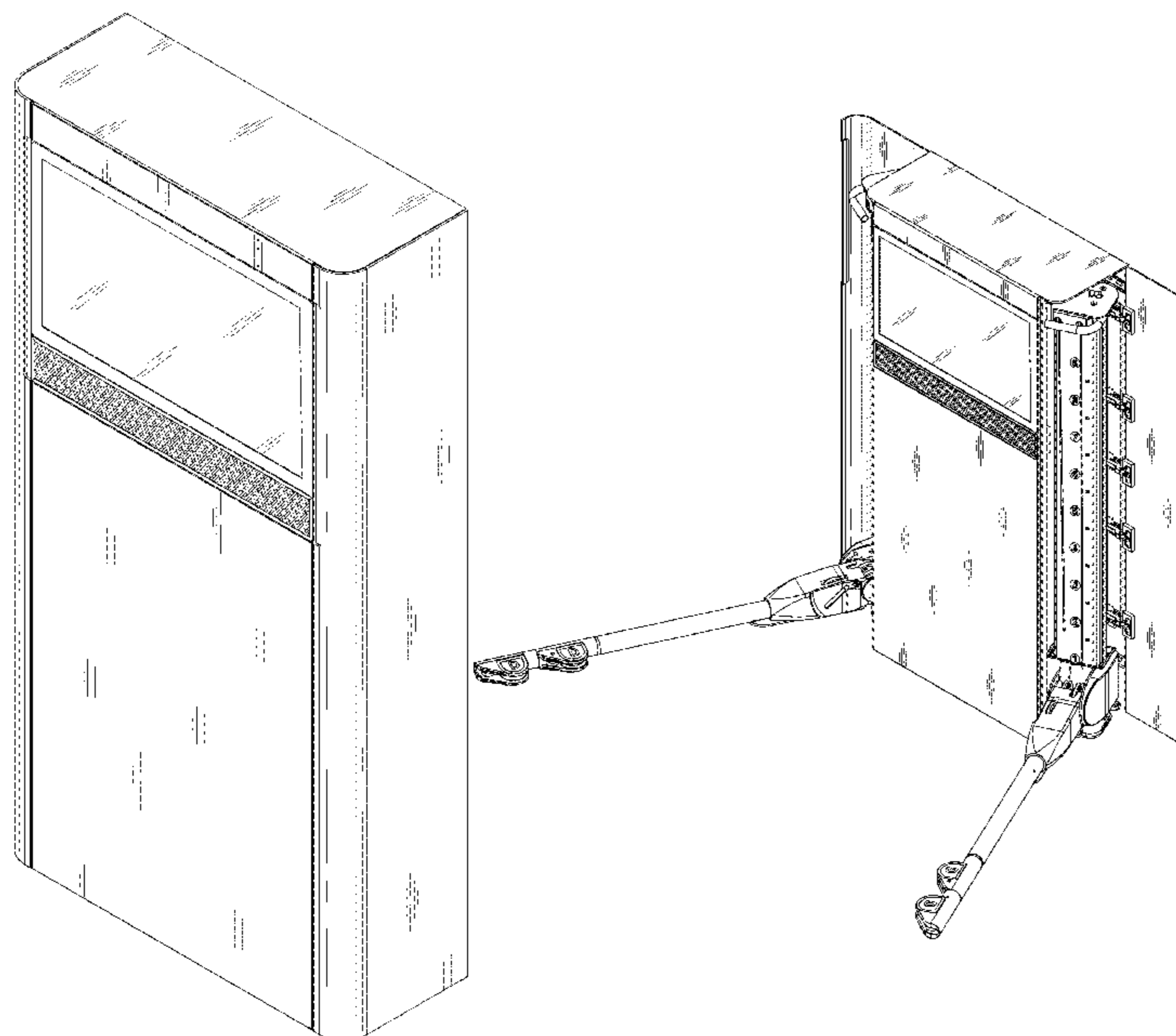
(57) **CLAIM**

The ornamental design for an exercise kiosk, as shown and described.

**DESCRIPTION**

FIG. 1 is a perspective view of my exercise kiosk;  
 FIG. 2 is a front view thereof;  
 FIG. 3 is a rear view thereof;  
 FIG. 4 is a left side view thereof;  
 FIG. 5 is a right side view thereof;  
 FIG. 6 is a top view thereof; and  
 FIG. 7 is a bottom view thereof;  
 FIG. 8 is a perspective view thereof with the arms deployed for use;  
 FIG. 9 is a front view thereof with the arms deployed for use;  
 FIG. 10 is a back view thereof with the arms deployed for use;  
 FIG. 11 is a left view thereof with the arms deployed for use;  
 FIG. 12 is a right view thereof with the arms deployed for use;  
 FIG. 13 is a top view thereof with the arms deployed for use;  
 FIG. 14 is a bottom view thereof with the arms deployed for use; and,  
 FIG. 15 is a perspective view thereof with the arms deployed for use and a phantom user shown for context.  
 The broken line portions of the disclosure are included for the purpose of illustrating environment and form no part of the claimed design.

**1 Claim, 13 Drawing Sheets**



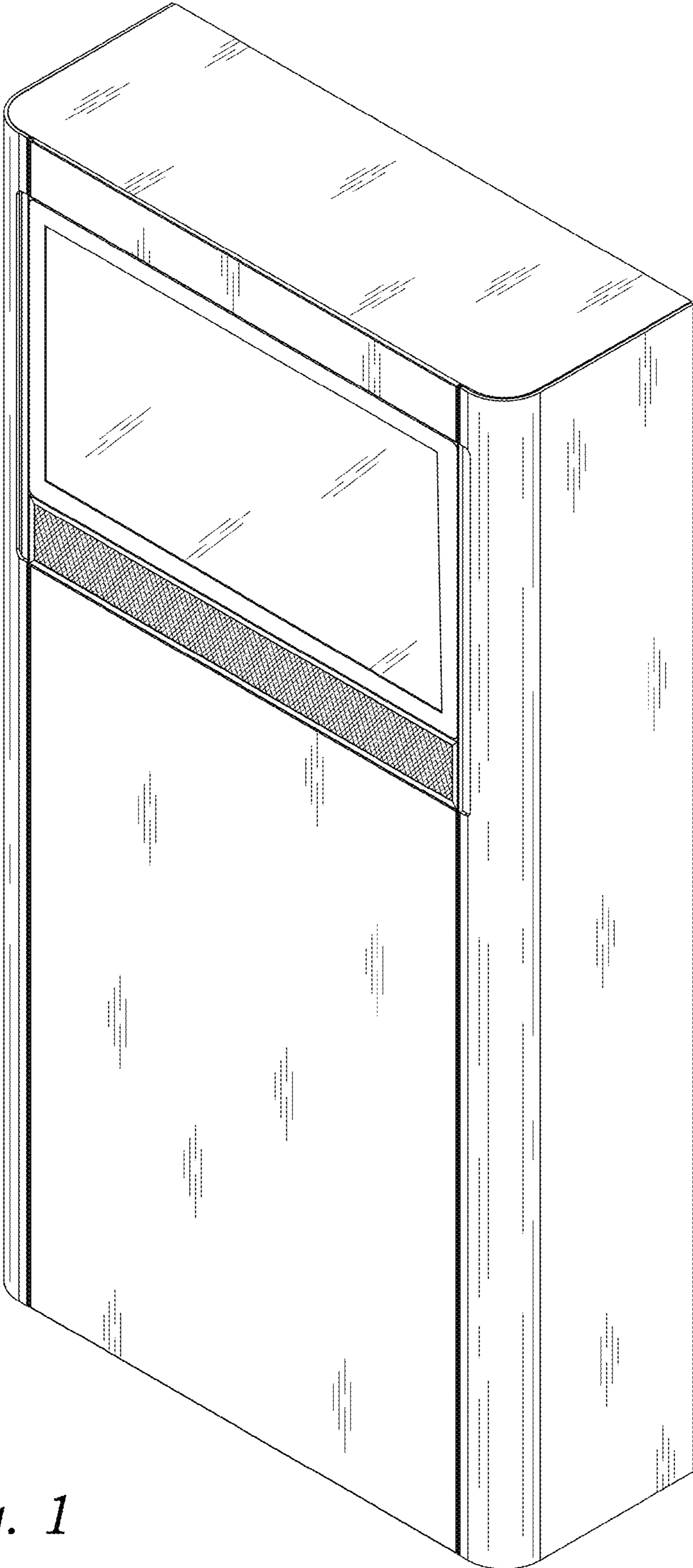
(56)

References Cited

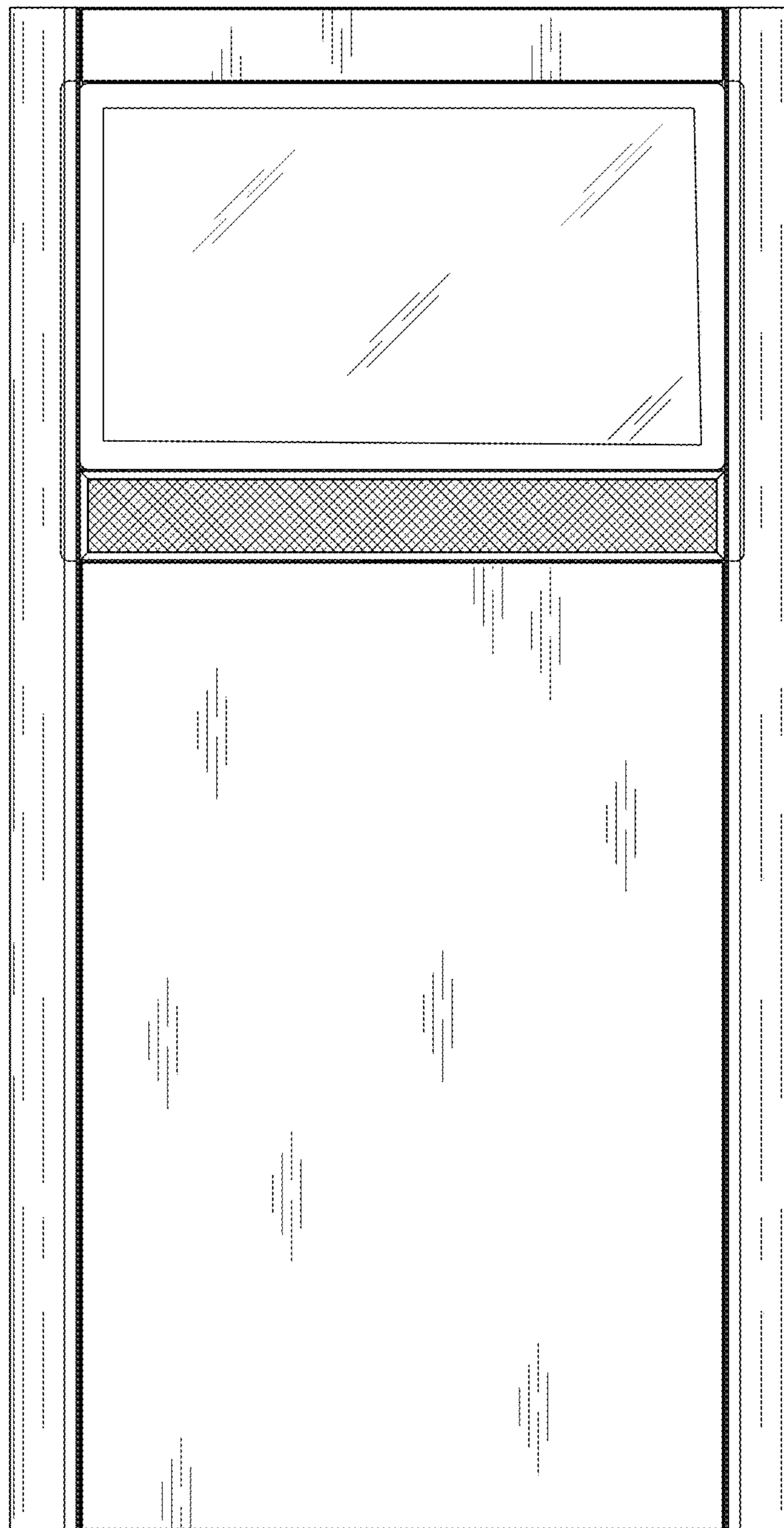
U.S. PATENT DOCUMENTS

8,506,459 B2 *	8/2013	Cassidy .....	A63B 21/156	482/102	2003/0045406 A1 *	3/2003	Stone .....	A63B 21/154	482/100
8,550,964 B2 *	10/2013	Ish, III .....	A63B 21/156	482/103	2008/0300116 A1 *	12/2008	Eder .....	A63B 21/156	482/100
D692,971 S *	11/2013	Alessandri .....	D21/662		2013/0157816 A1 *	6/2013	Lyszczarz .....	A63B 21/156	482/99
D692,972 S *	11/2013	Alessandri .....	D21/662		2015/0182773 A1 *	7/2015	Olson .....	A63B 21/0051	482/8
D708,274 S *	7/2014	Eder .....	D21/673		2017/0246507 A1 *	8/2017	Kennington .....	A63B 21/156	
9,162,102 B1 *	10/2015	Eder .....	A63B 21/06		2017/0319941 A1 *	11/2017	Smith .....	A63B 71/0686	
9,656,116 B2 *	5/2017	Giannelli .....	A63B 21/063		2018/0021616 A1 *	1/2018	Orady .....	A63B 71/0054	482/5
9,744,400 B2 *	8/2017	Cole .....	A63B 22/0089		2018/0243600 A1 *	8/2018	Kennington .....	A63B 21/0087	
D807,445 S *	1/2018	Gettle .....	D21/686		2019/0099632 A1 *	4/2019	Orady .....	A63B 21/015	
10,500,442 B2 *	12/2019	Hong .....	A63B 24/0087		2019/0099633 A1 *	4/2019	Orady .....	A63B 21/0058	
2002/0013200 A1 *	1/2002	Sechrest .....	A63B 21/152	482/98	2019/0099637 A1 *	4/2019	Valente .....	A63B 23/00	
2002/0039954 A1 *	4/2002	Simonson .....	A63B 21/154	482/99	2019/0099652 A1 *	4/2019	Orady .....	A63B 21/15	
2003/0017918 A1 *	1/2003	Webb .....	A63B 21/154	482/94	2020/0047027 A1 *	2/2020	Ward .....	A63B 24/0021	
					2020/0047031 A1 *	2/2020	Orady .....	A63B 71/0622	
					2020/0086197 A1 *	3/2020	Kim .....	A63B 21/4021	

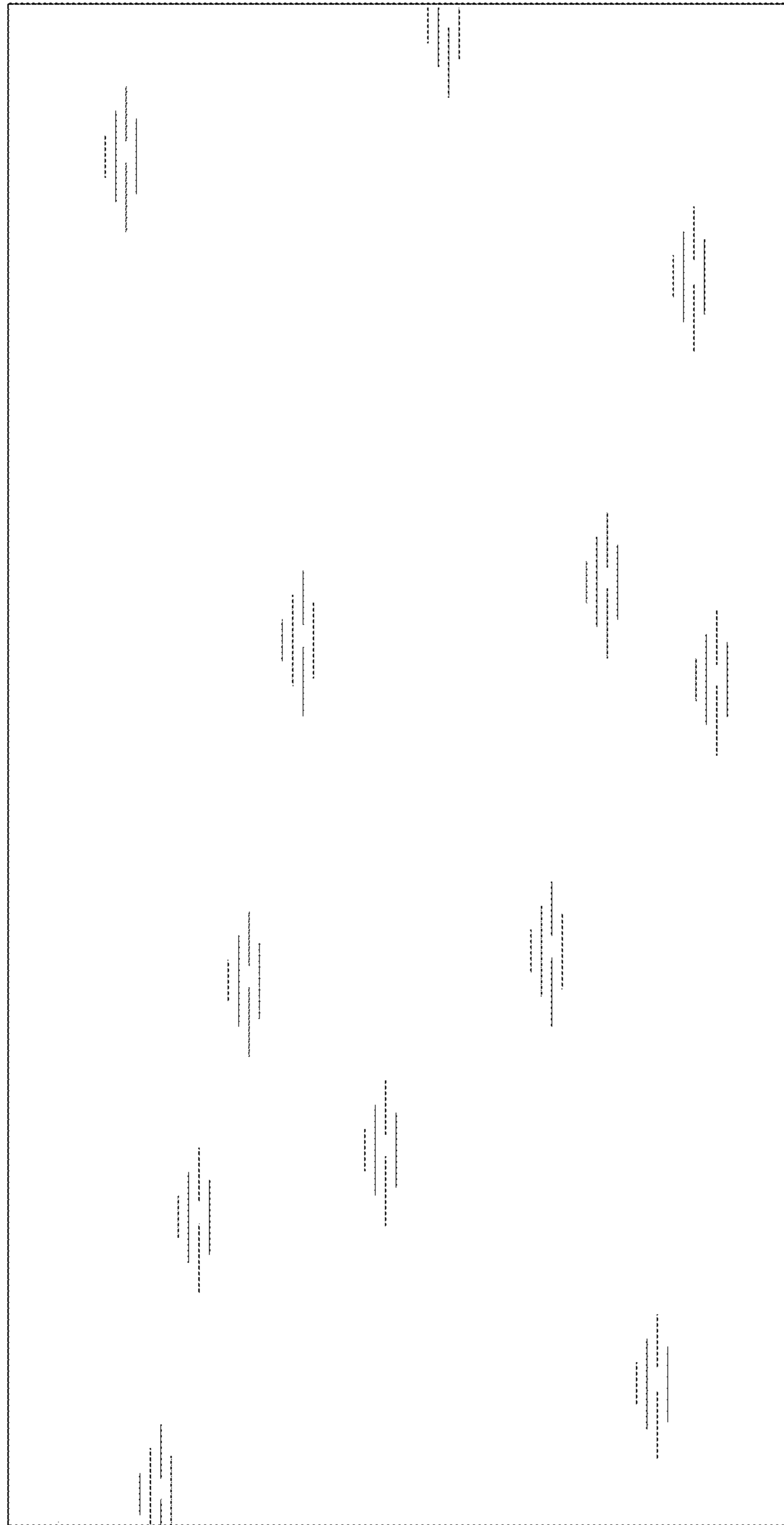
\* cited by examiner



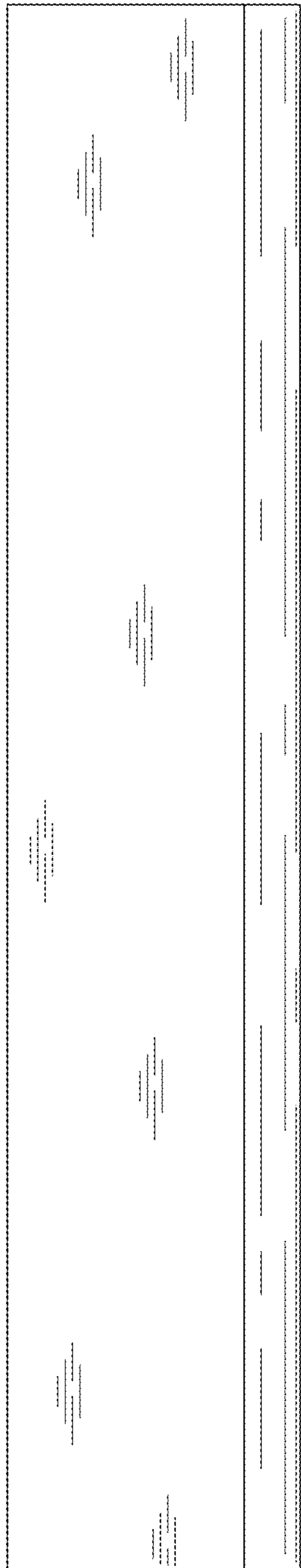
*Fig. 1*



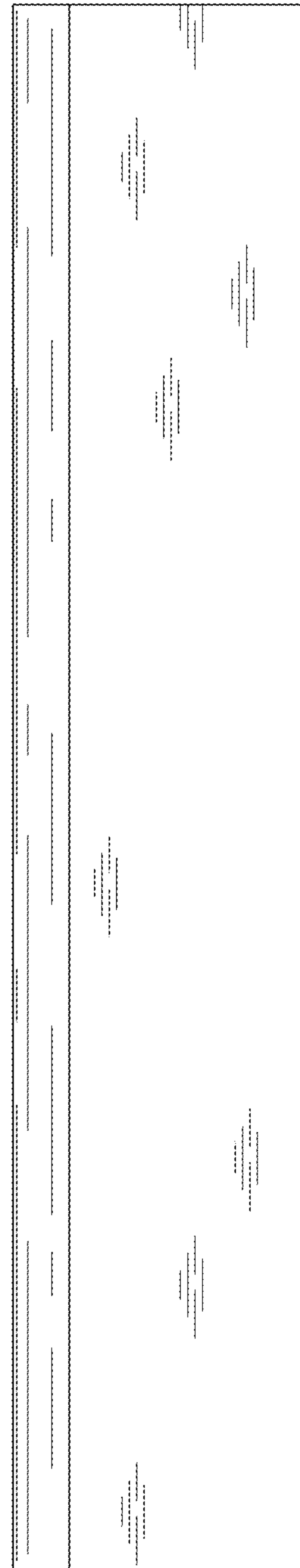
*Fig. 2*



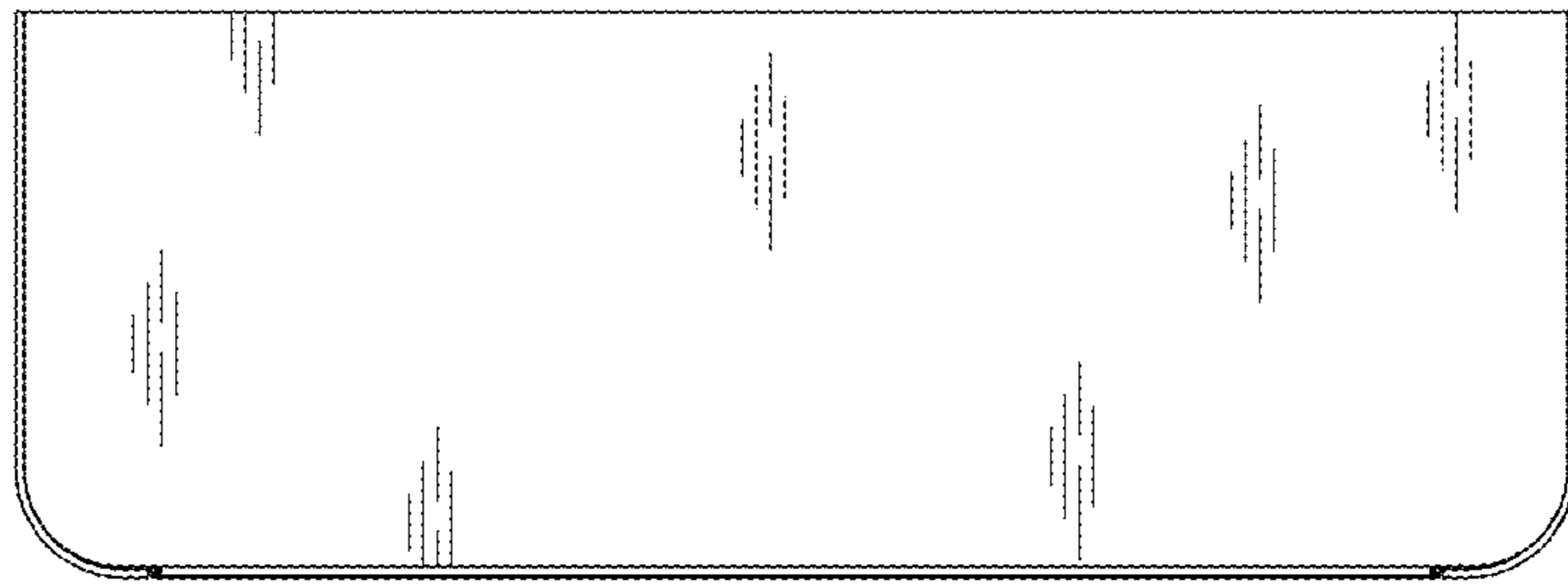
*Fig. 3*



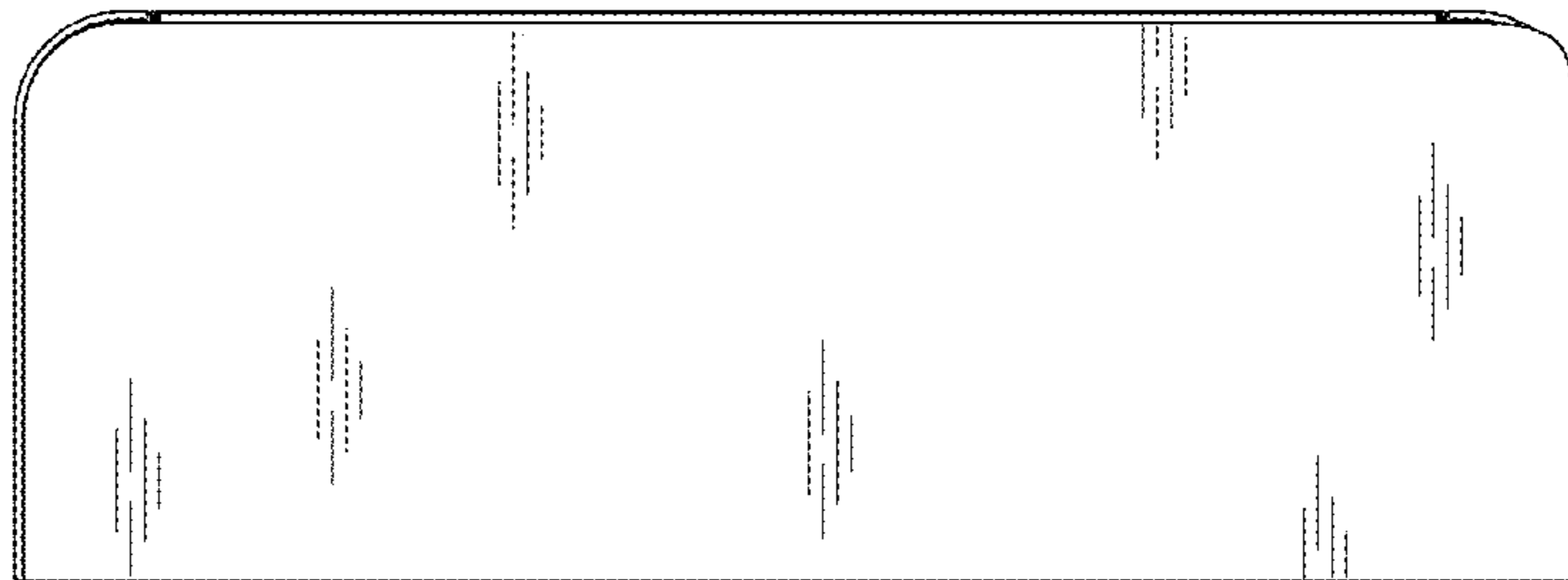
*Fig. 4*



*Fig. 5*



*Fig. 6*



*Fig. 7*

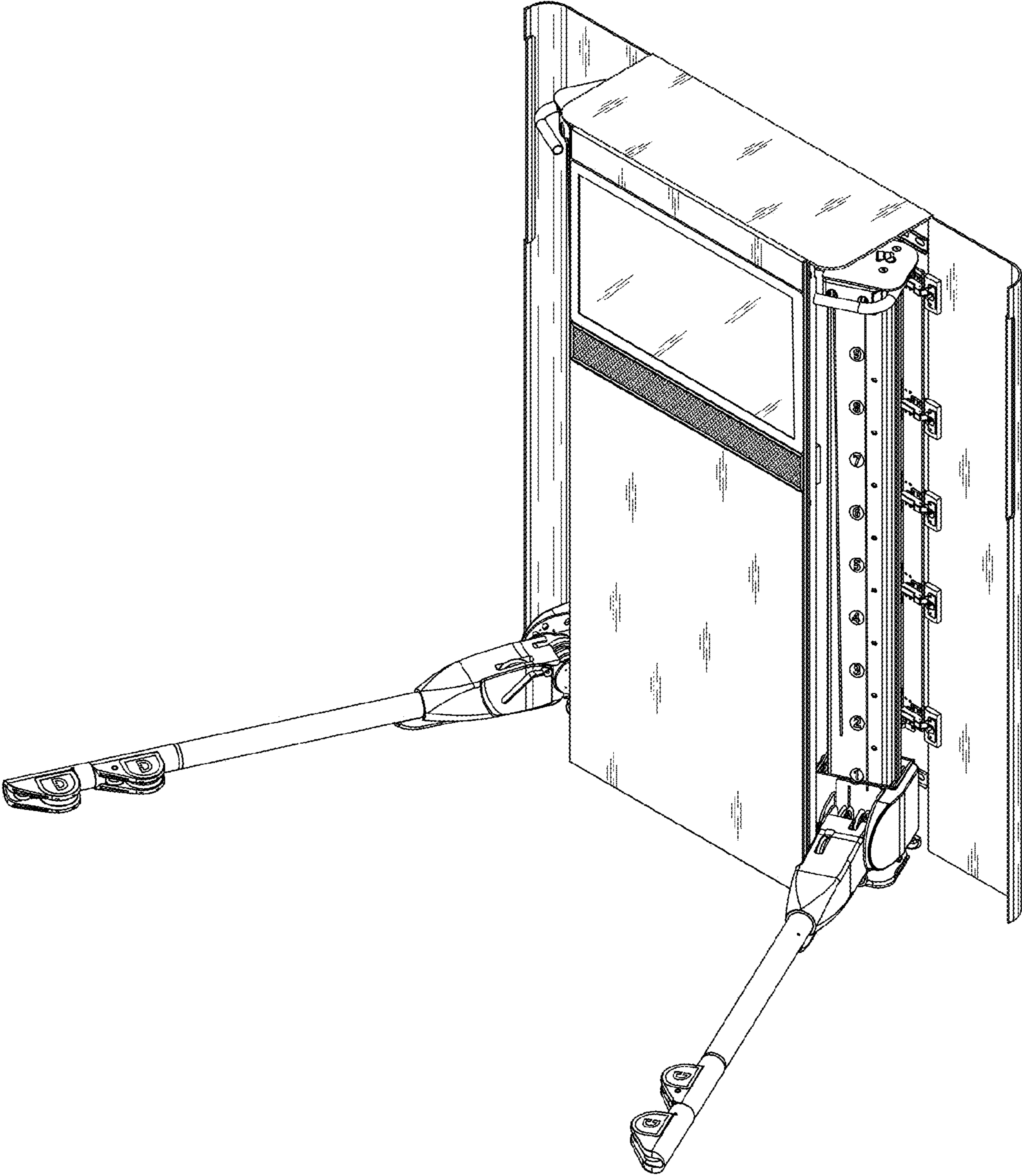
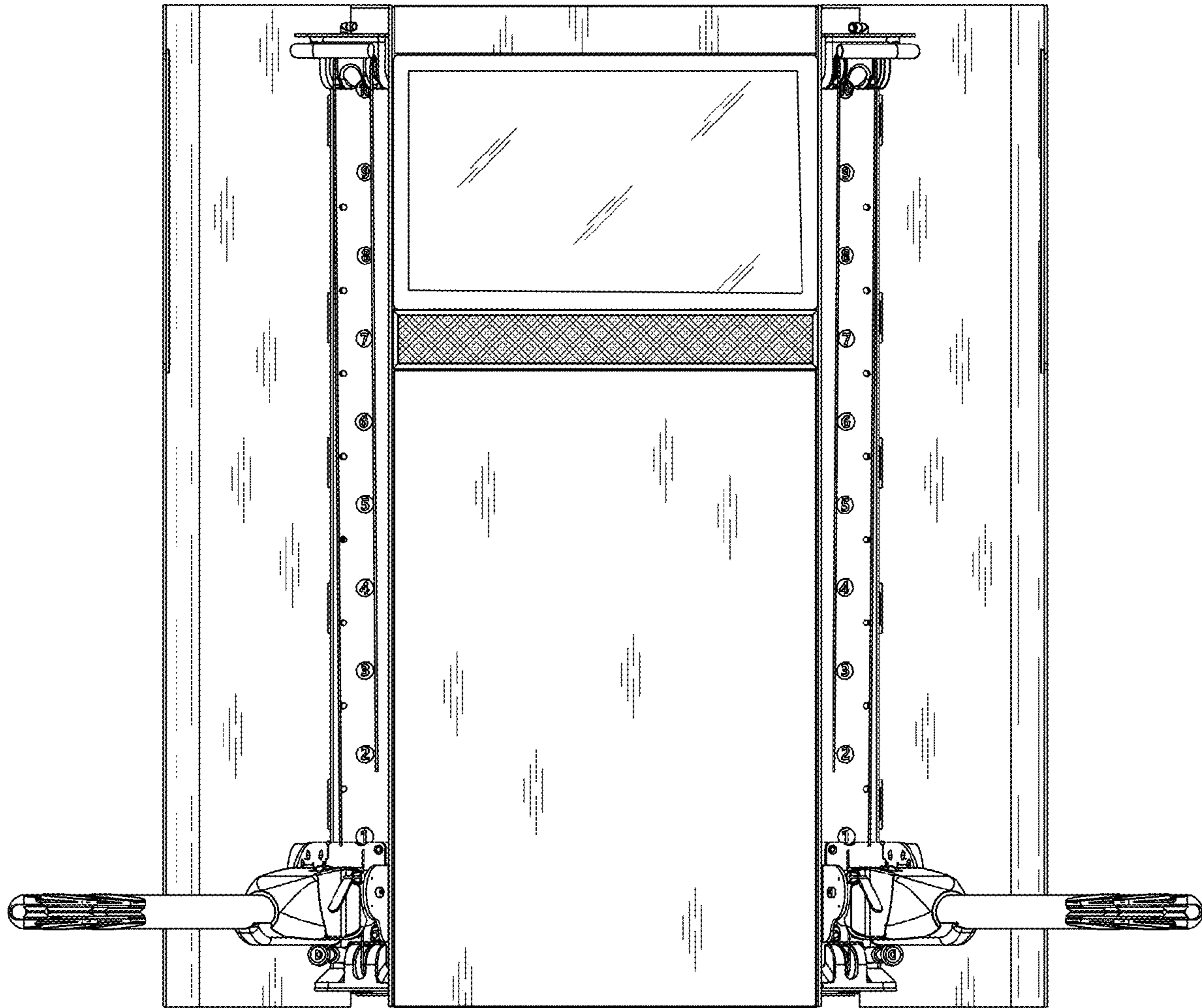
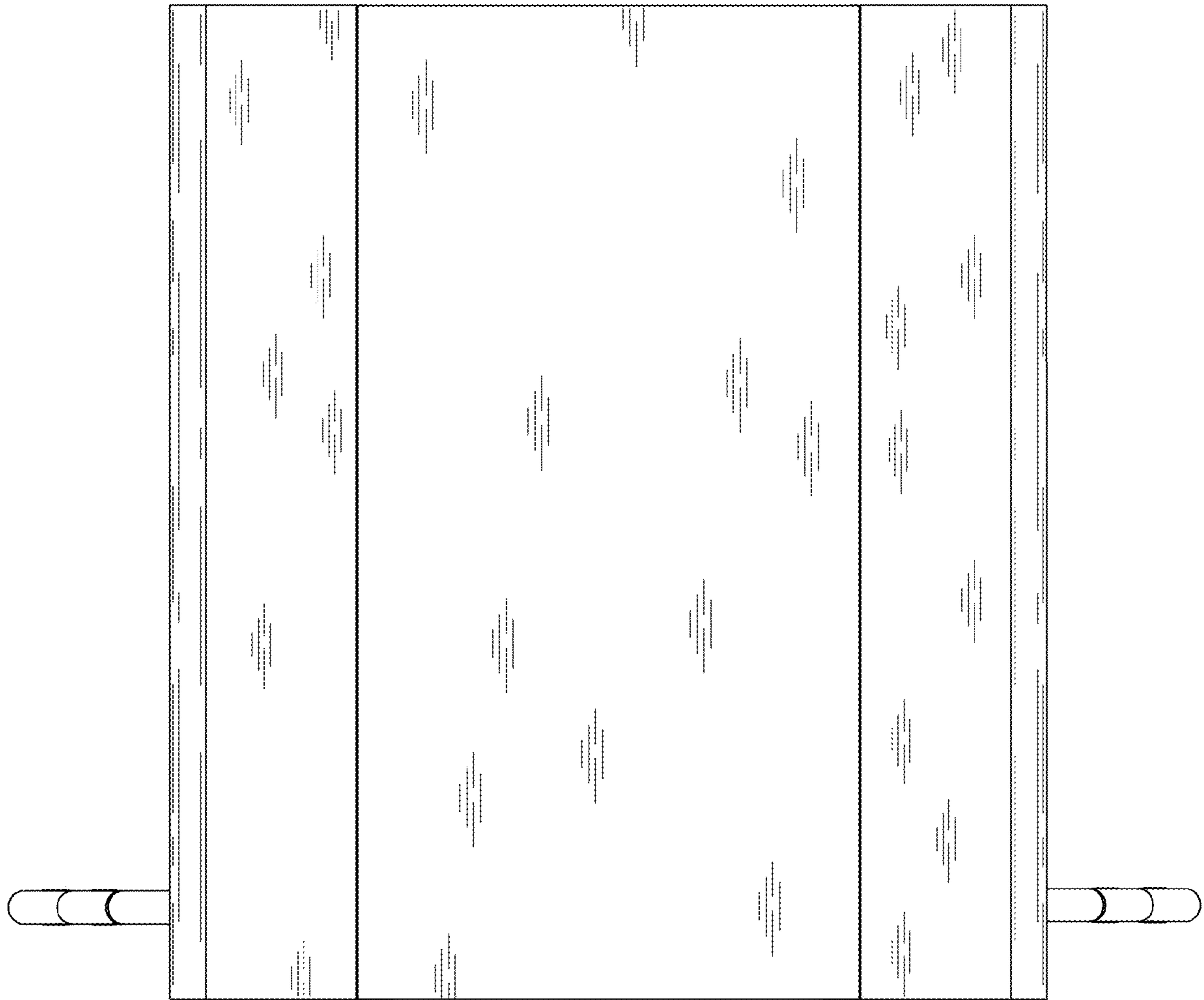


Fig. 8

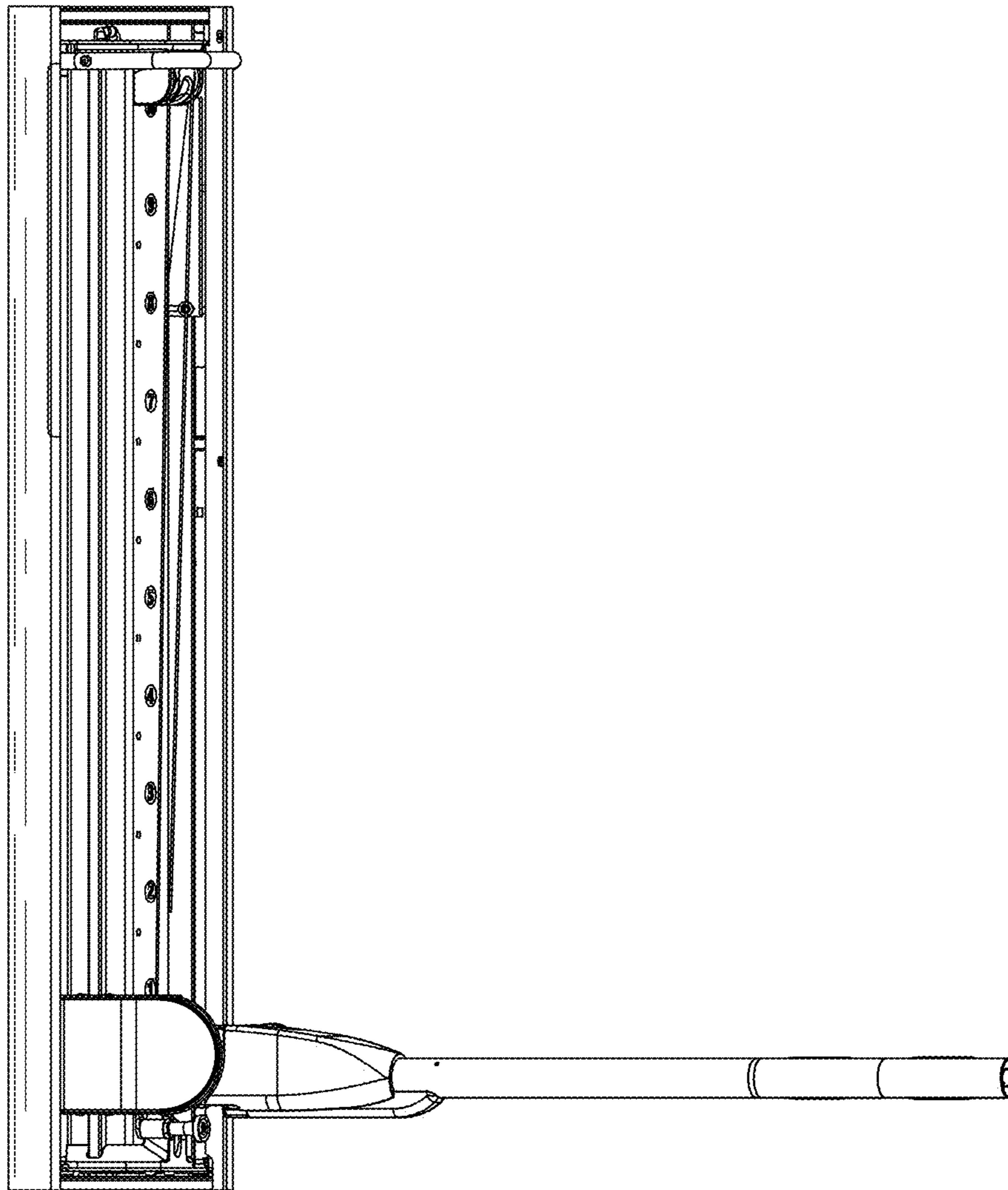




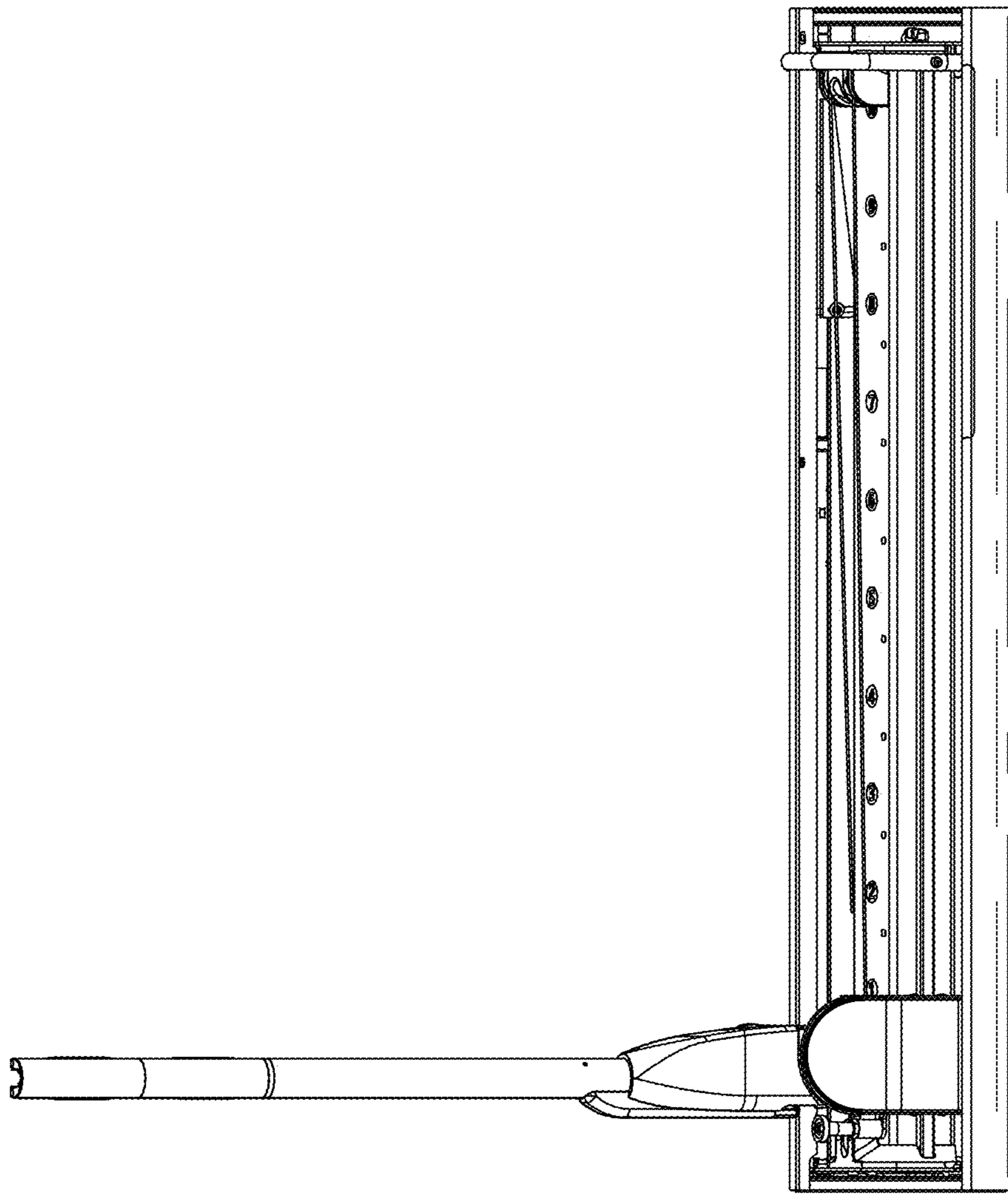
*Fig. 9*



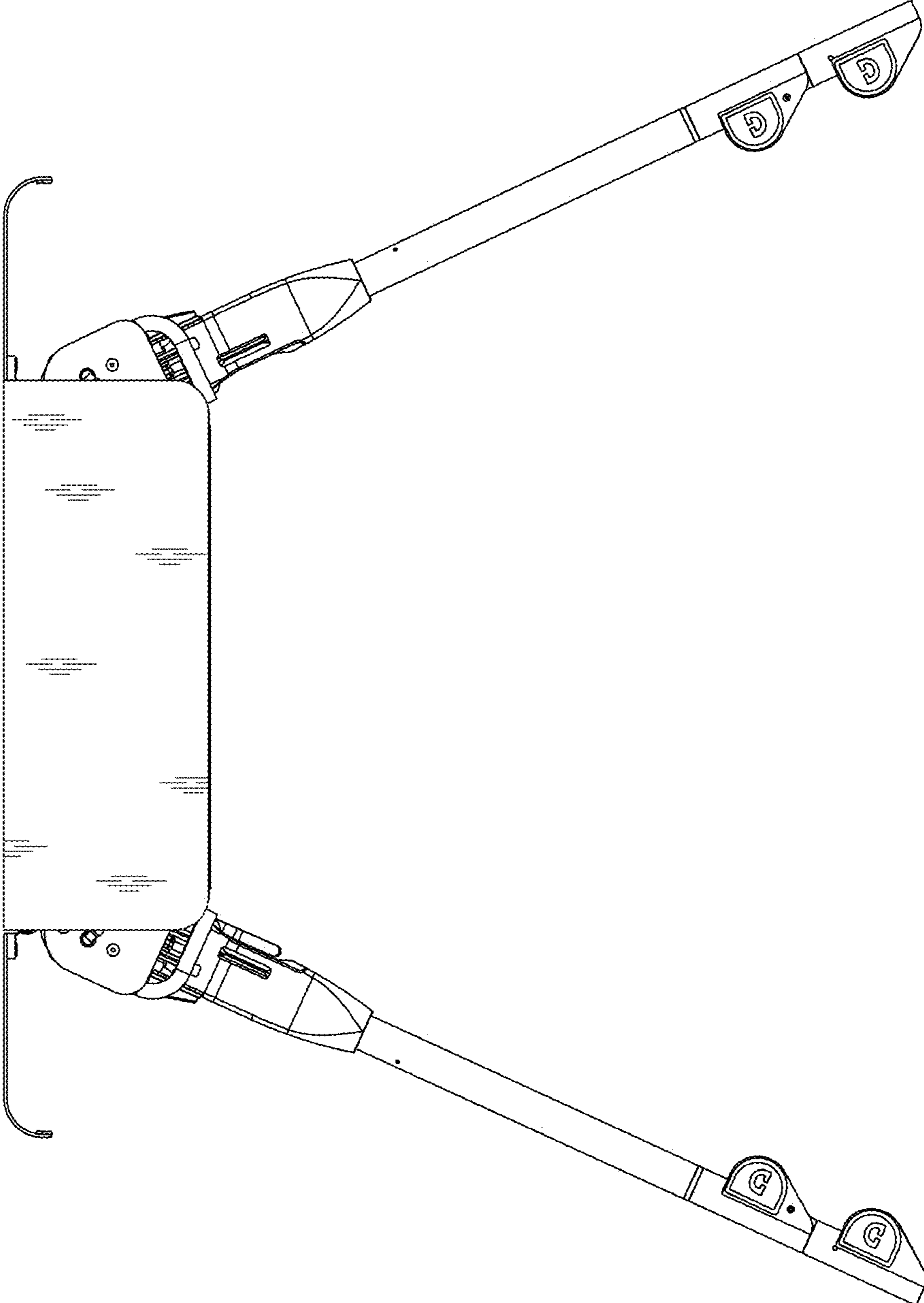
*Fig. 10*



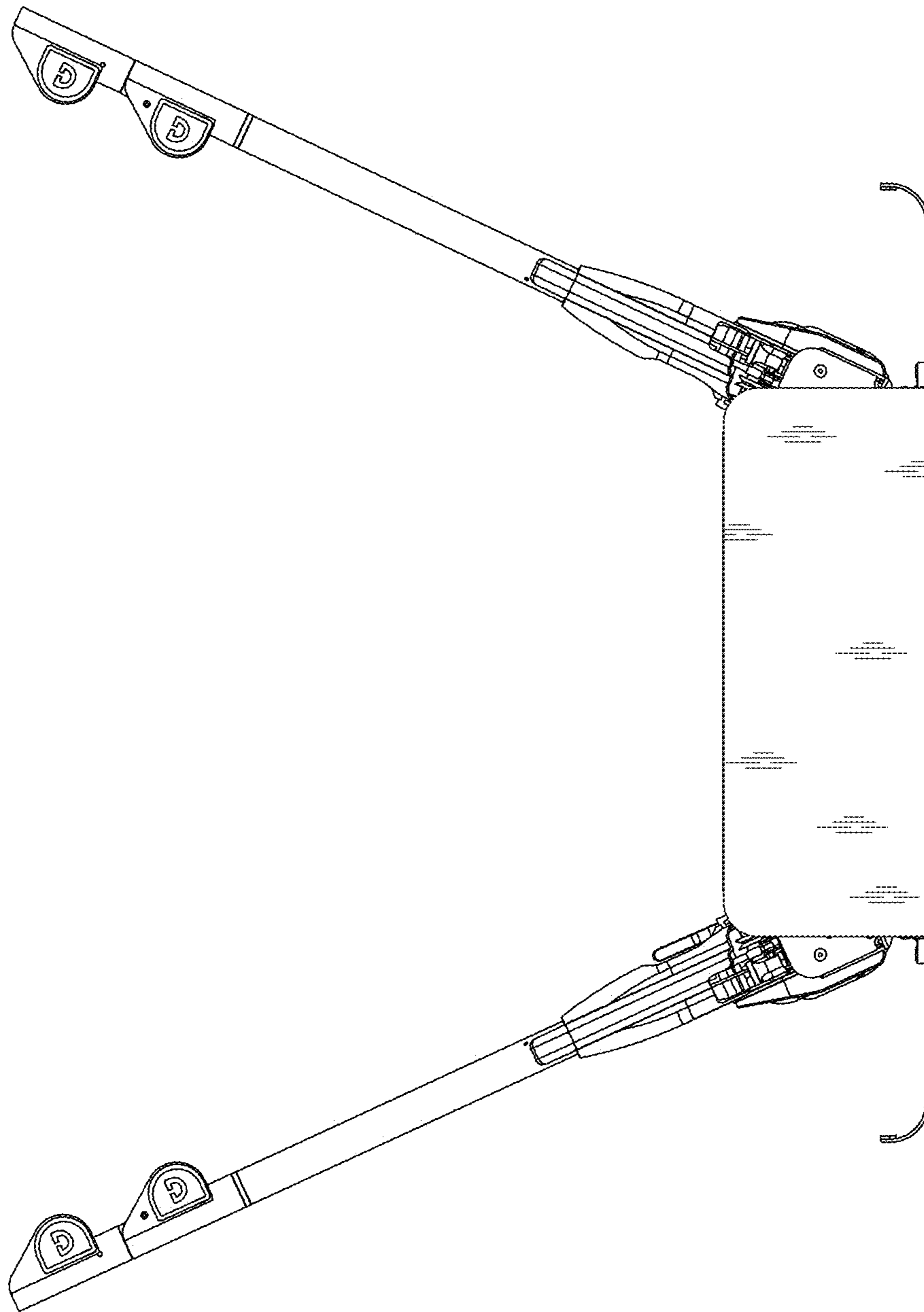
*Fig. 11*



*Fig. 12*



*Fig. 13*



*Fig. 14*

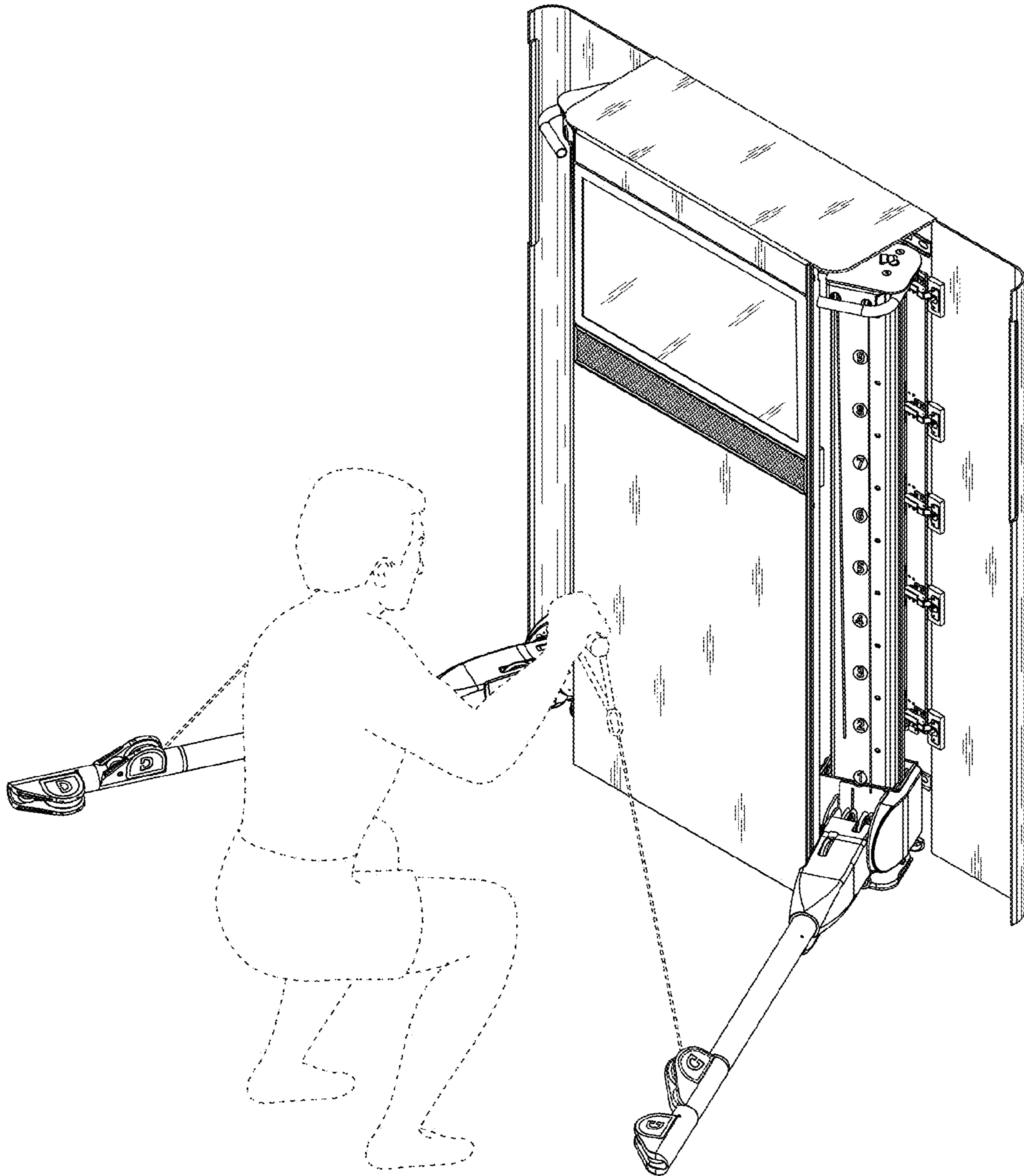


Fig. 15