



US00D905178S

(12) **United States Design Patent** (10) **Patent No.:** **US D905,178 S**
Magloire (45) **Date of Patent:** **** Dec. 15, 2020**

(54) **HOLLOW EXERCISE BALL**

(71) Applicant: **Vladimir Magloire**, Coral Springs, FL (US)

(72) Inventor: **Vladimir Magloire**, Coral Springs, FL (US)

(**) Term: **15 Years**

(21) Appl. No.: **29/673,786**

(22) Filed: **Dec. 18, 2018**

(51) **LOC (12) Cl.** **21-01**

(52) **U.S. Cl.**
USPC **D21/662**

(58) **Field of Classification Search**
USPC D21/662, 681–685, 692, 694, 712–713;
D30/160; D24/194, 195
See application file for complete search history.

(56) **References Cited**

U.S. PATENT DOCUMENTS

D312,102 S *	11/1990	Klitsner	D21/408
D431,608 S *	10/2000	Lin	D21/398
D468,378 S *	1/2003	Routzong	D21/398
D469,484 S *	1/2003	Dawson	D21/662
D514,263 S *	1/2006	Willinger	D21/713
D549,889 S *	8/2007	Winkler	D30/160
D563,486 S *	3/2008	Slater	D21/498
D651,671 S *	1/2012	Ross	D21/662
D657,506 S *	4/2012	Viola	D30/160
D706,875 S *	6/2014	Saber	D21/398
D707,776 S *	6/2014	Rubey	D21/801
D715,367 S *	10/2014	Wechsler	D21/398
D746,002 S *	12/2015	Crane	D30/160
D779,599 S *	2/2017	Jung	D21/681
D843,510 S *	3/2019	Ross	D21/682
D845,562 S *	4/2019	Lewis	D30/160
D848,682 S *	5/2019	Baker	D30/160

2004/0259691 A1*	12/2004	Stout	A63B 21/4035 482/47
2011/0263393 A1*	10/2011	Ross	A63B 21/0724 482/93
2013/0074780 A1*	3/2013	Wechsler	A01K 15/025 119/710

OTHER PUBLICATIONS

“Cat Plastic Jingle Balls Cat Toy” Dec. 2, 2016, Amazon.uk.com, site visited Jun. 14, 2020: <https://www.amazon.co.uk/dp/B01MSUIXLB/> (Year: 2016).*

* cited by examiner

Primary Examiner — Michael C Stout

Assistant Examiner — Melvin L Davis

(74) *Attorney, Agent, or Firm* — Nancy J. Flint, Attorney At Law, P.A.; Nancy J. Flint, Esq.

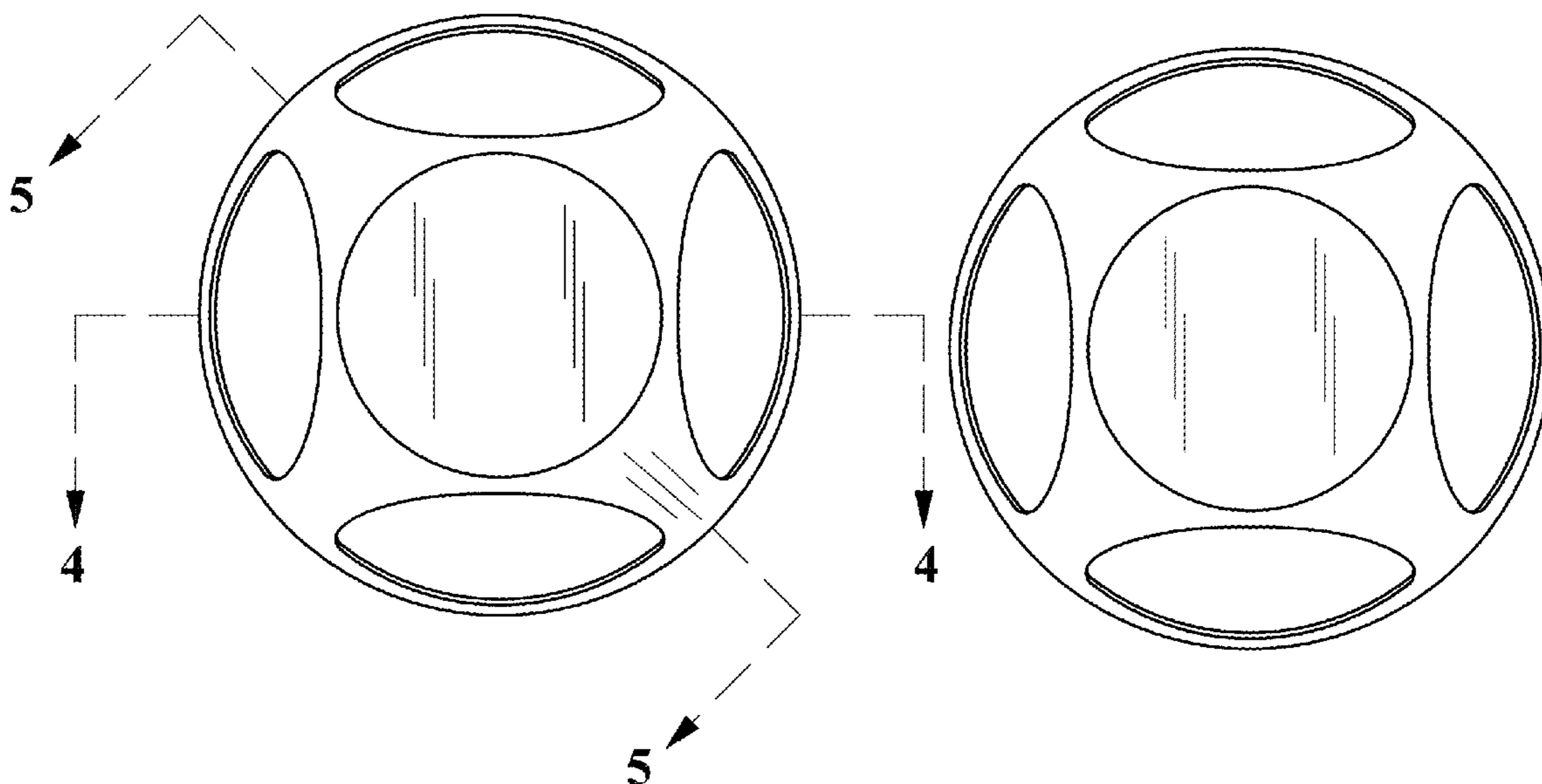
(57) **CLAIM**

The ornamental design for a hollow exercise ball, as shown and described.

DESCRIPTION

FIG. 1 is a front view of a hollow exercise ball showing my new design;
FIG. 2 is a top view of the hollow exercise ball;
FIG. 3 is a bottom view of the hollow exercise ball;
FIG. 4 is a cross-sectional view of the hollow exercise ball;
FIG. 5 is a second cross-sectional view of the hollow exercise ball; and,
FIG. 6 is a front view of the hollow exercise ball as used. Right side view, left side view and rear view not shown are mirror images of the front view. Any broken lines illustrative of environmental structure in the drawings are not part of the design sought to be patented.

1 Claim, 4 Drawing Sheets



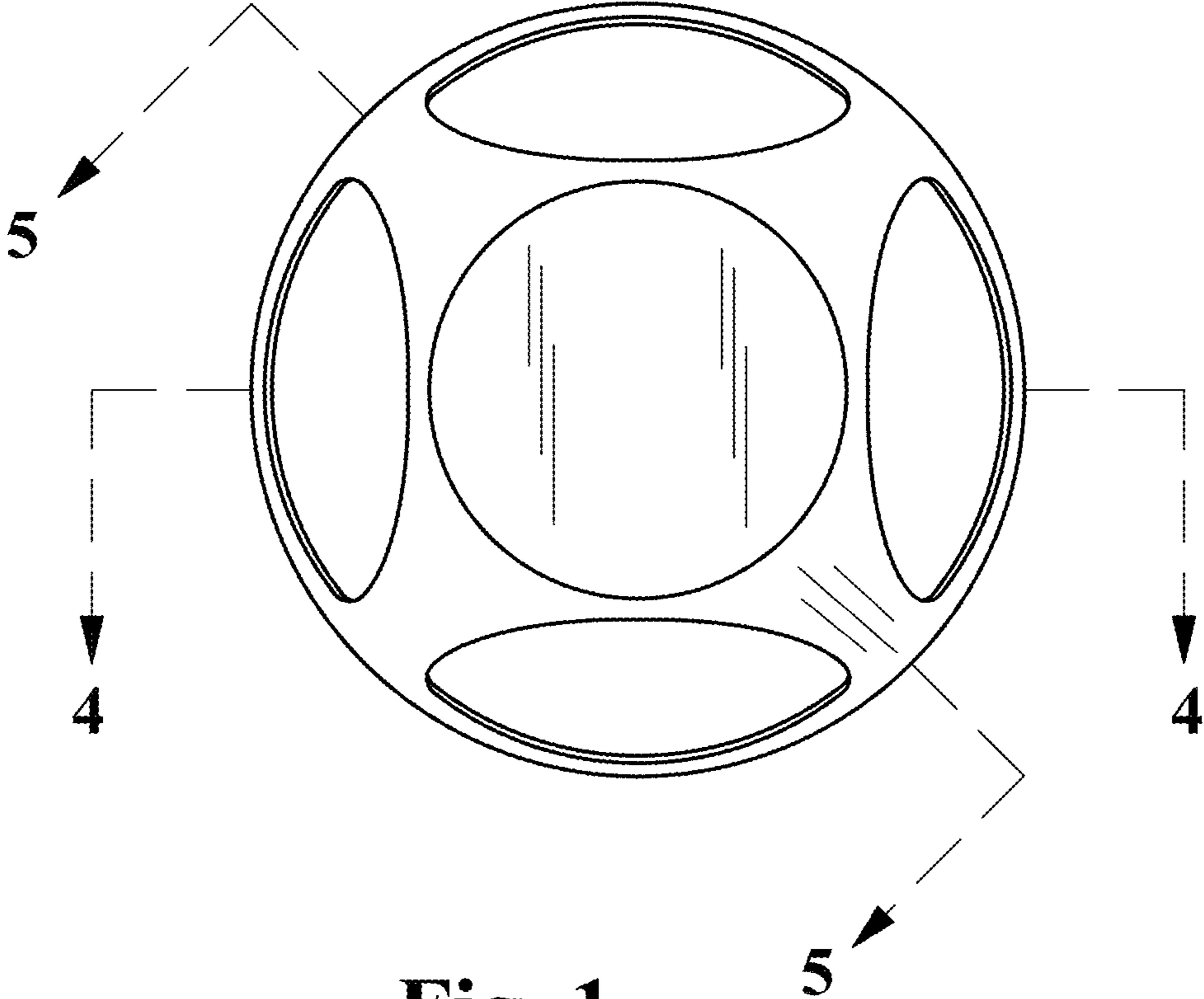


Fig. 1

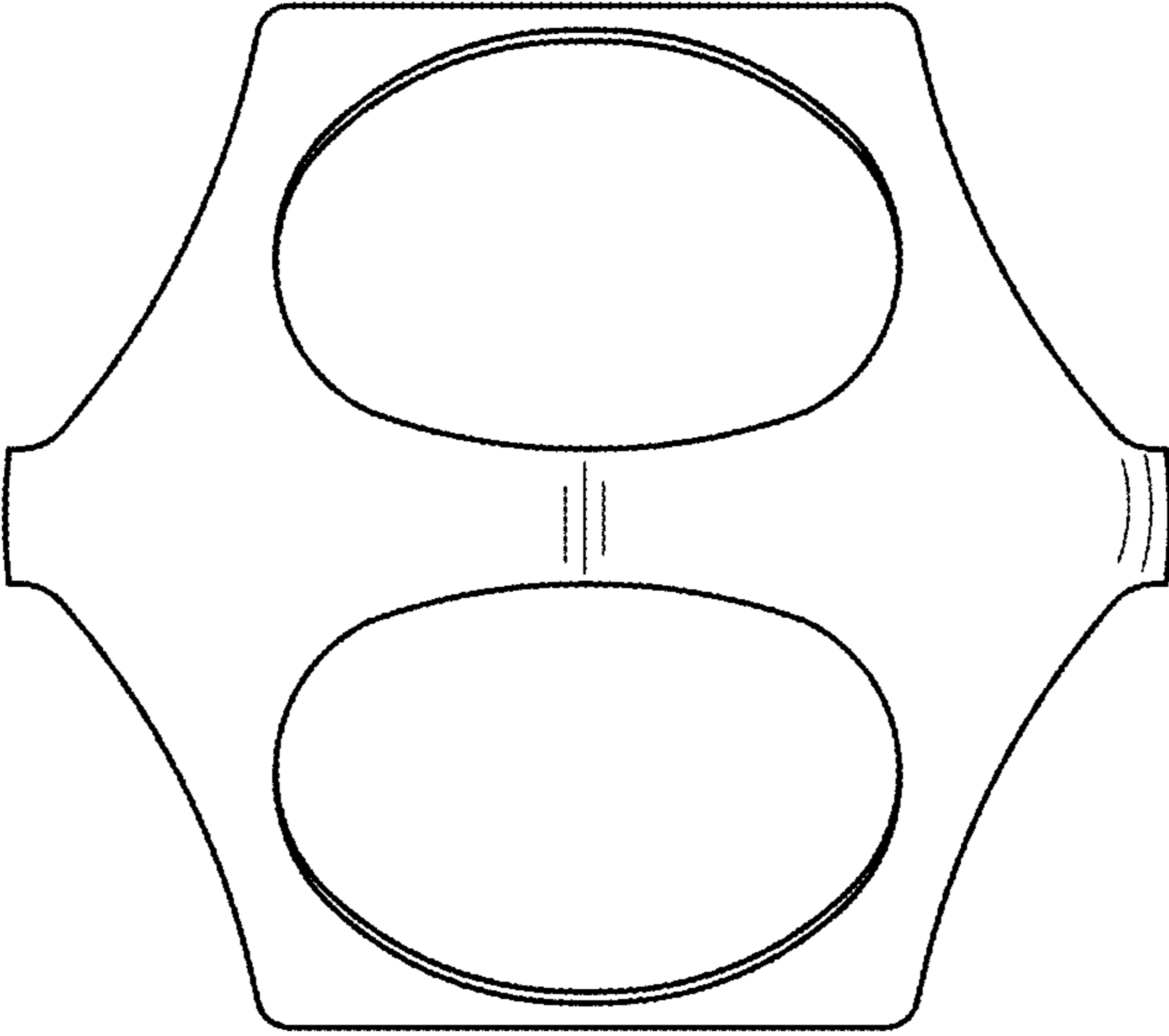


Fig. 2

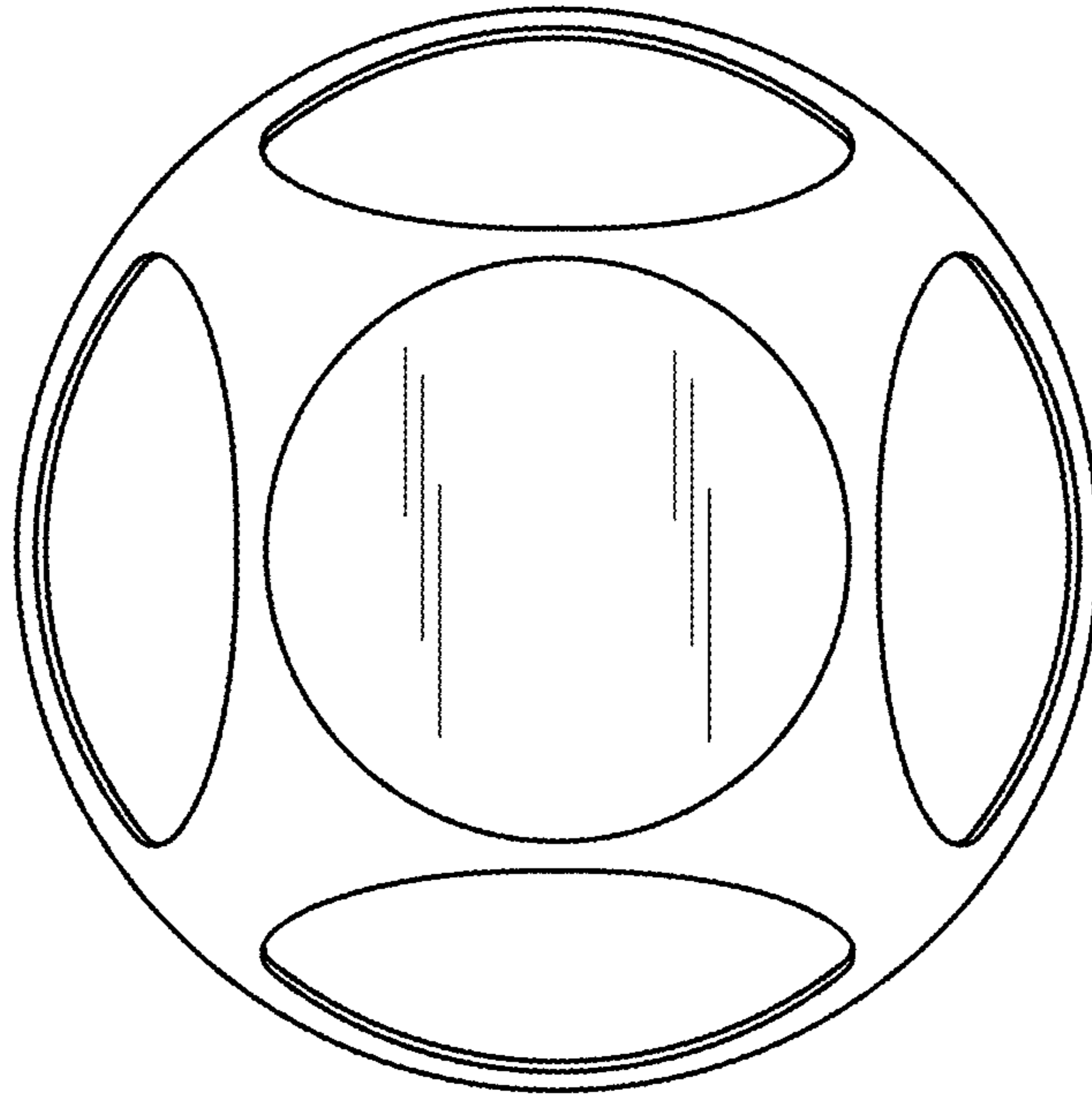


Fig. 3

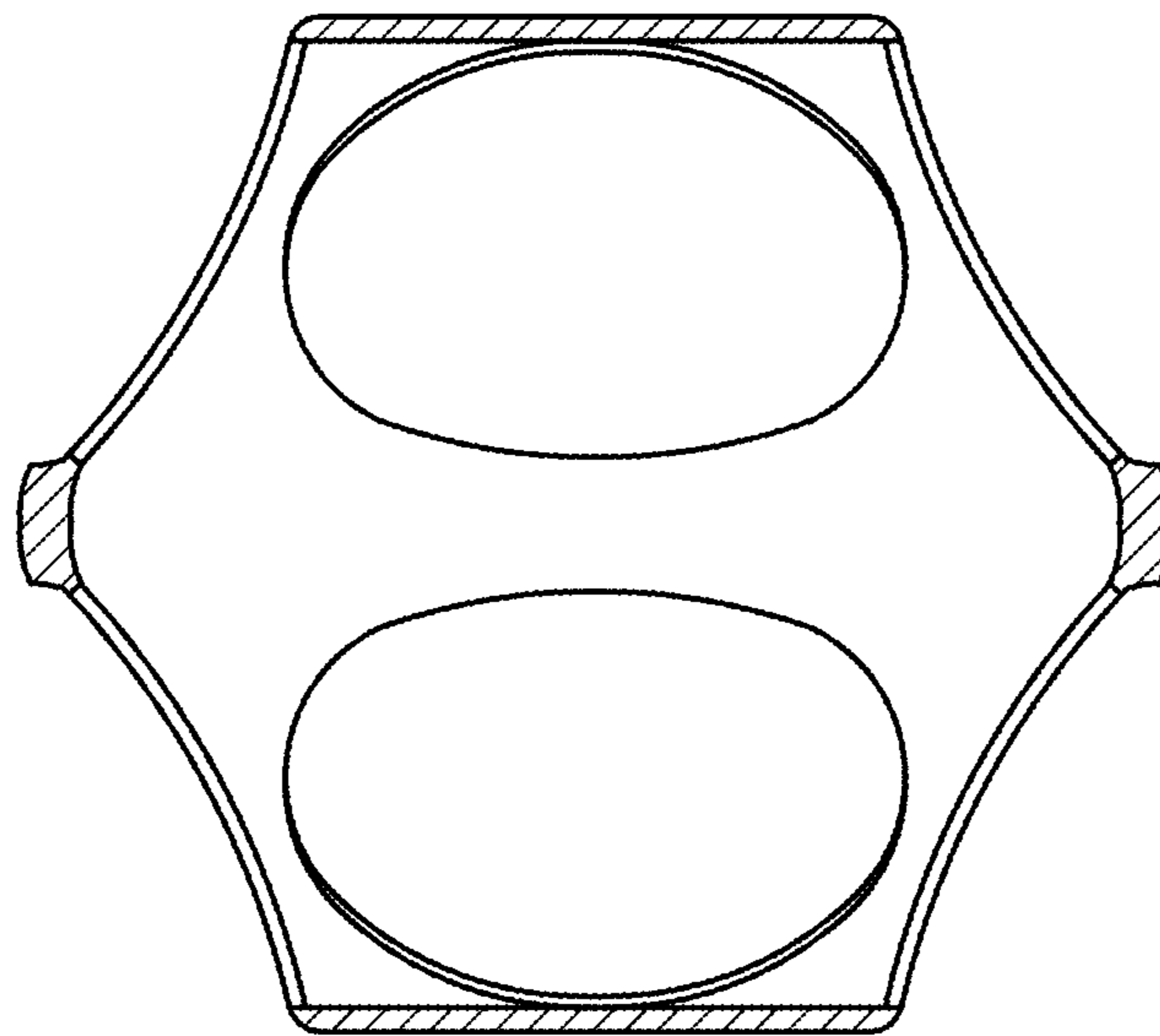


Fig. 4

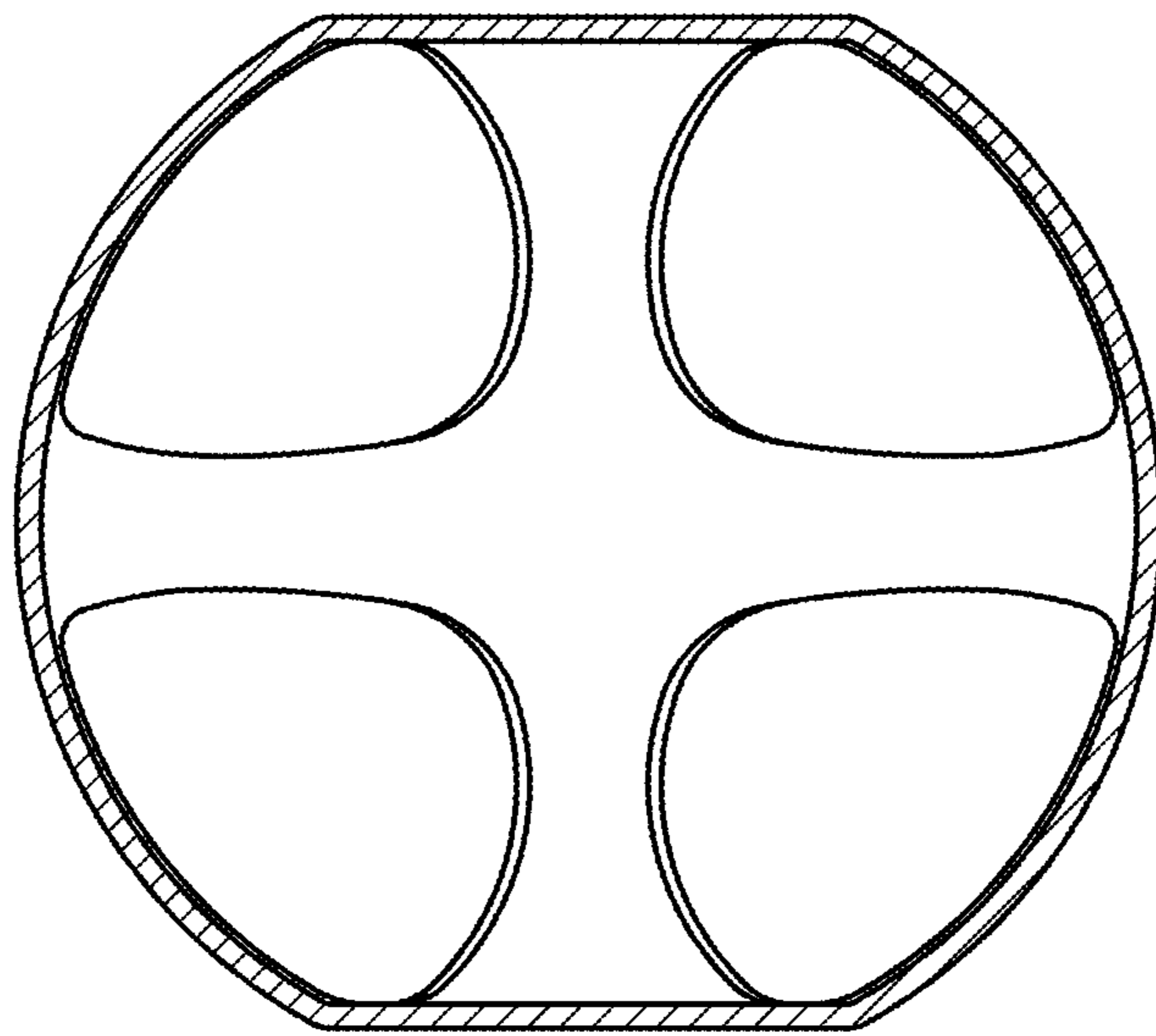


Fig. 5

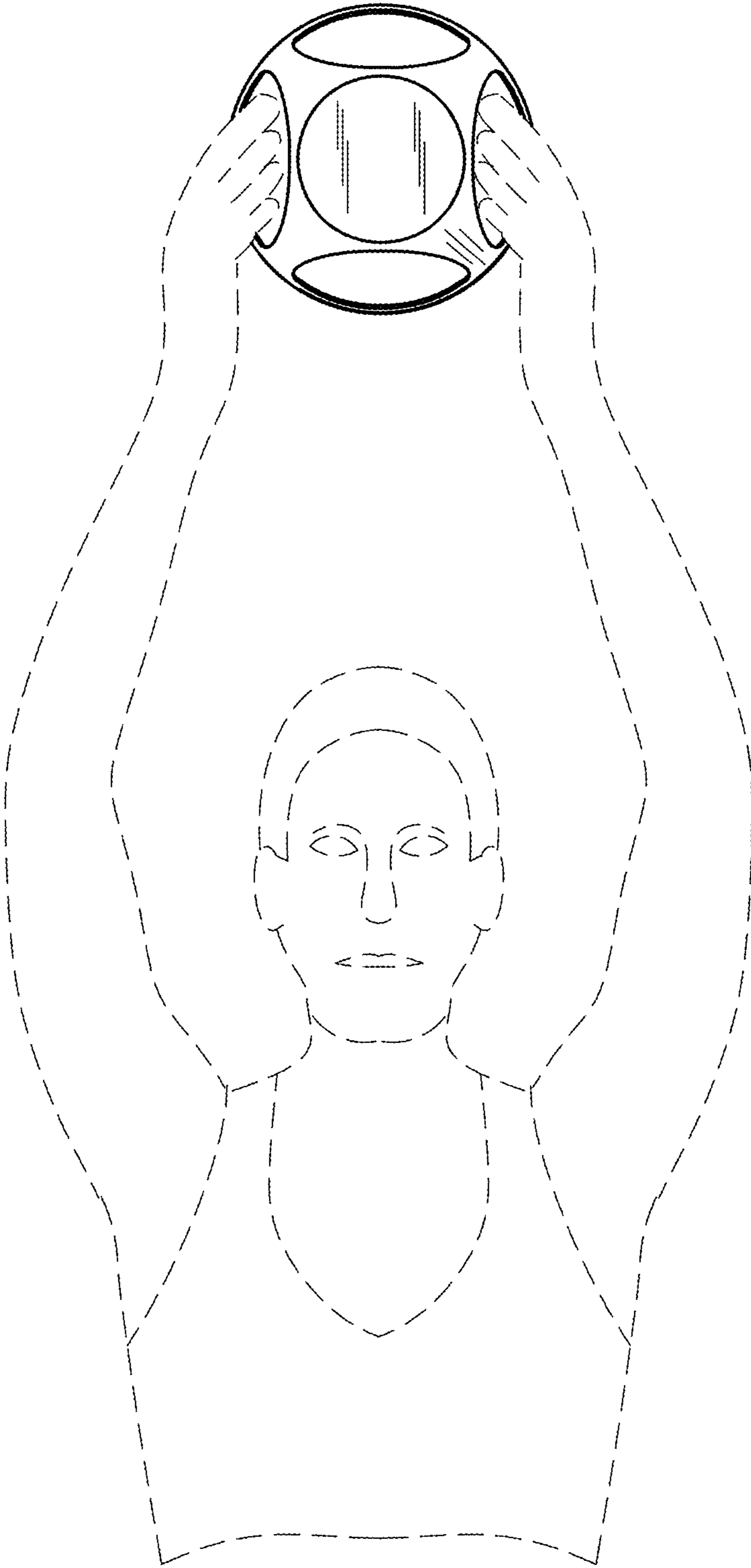


Fig. 6