



US00D905176S

(12) **United States Design Patent** (10) **Patent No.:** **US D905,176 S**
Ramirez et al. (45) **Date of Patent:** **** Dec. 15, 2020**

(54) **TOY PLANE**
(71) Applicant: **D&L Company, LLC**, Minden, NV (US)
(72) Inventors: **Seth Ramirez**, Gardnerville, NV (US);
Olivia Ramirez, Carson City, NV (US);
Mark Weiner, San Clemente, CA (US)
(73) Assignee: **D&L Company, LLC**, Minden, NV (US)

D180,889 S * 9/1957 Boyd D12/16.1
D180,890 S * 9/1957 Boyd D12/16.1
D181,599 S * 12/1957 Nelson D12/330
2,841,084 A * 7/1958 Carlisle F42B 4/12
102/348
2,859,003 A * 11/1958 Servanty B64C 29/0075
244/12.1
D184,209 S * 1/1959 Bell D12/16.1
D184,453 S * 2/1959 Noble D21/447
D191,148 S * 8/1961 Sigford D12/16.1
3,063,191 A 11/1962 Main
(Continued)

(**) Term: **15 Years**

OTHER PUBLICATIONS

(21) Appl. No.: **29/725,515**

Stomp Rocket Planes. By D & L Company. dated Oct. 24, 2018. found online [Jul. 19, 2020] <https://westporttoys.com/10/2018-best-toys-for-kids-winners/>.*

(22) Filed: **Feb. 25, 2020**

(Continued)

Related U.S. Application Data

(63) Continuation of application No. 15/807,517, filed on Nov. 8, 2017, now abandoned.

Primary Examiner — Marissa J Cash

(51) **LOC (12) Cl.** **21-01**

(74) *Attorney, Agent, or Firm* — Lodestone Legal Group; Jeromye V. Sartain

(52) **U.S. Cl.**
USPC **D21/448**; D21/452

(57) **CLAIM**

(58) **Field of Classification Search**
USPC D12/1-4, 16.1, 319-345; D21/301, 436, D21/441, 442, 443, 444, 447, 448, 449, D21/450, 451, 452, 453, 454, 455
CPC B64C 39/024; B64C 2201/108; B64C 2201/141; B64C 2201/024
See application file for complete search history.

The ornamental design for a toy plane, as shown and described.

DESCRIPTION

(56) **References Cited**

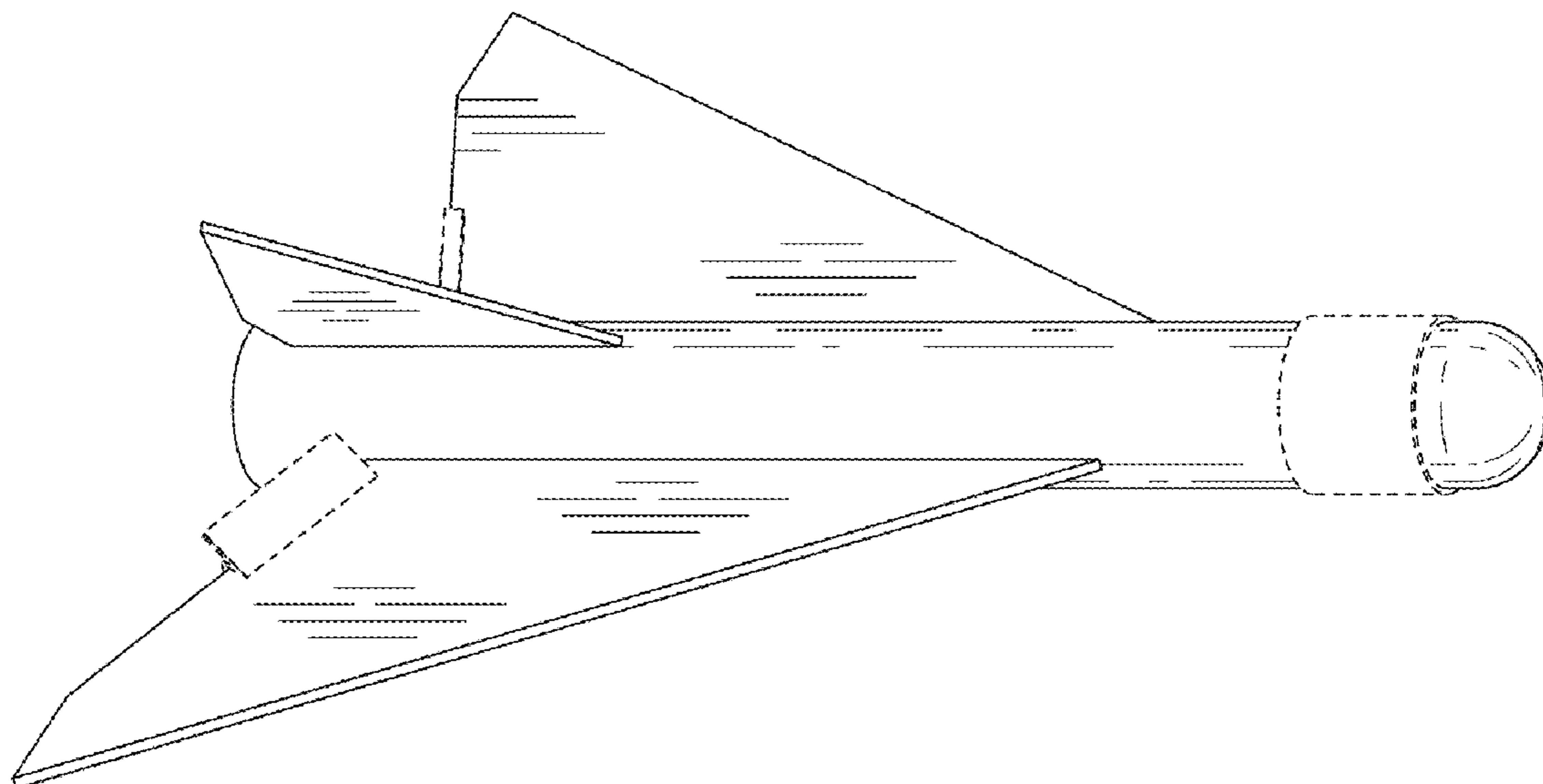
U.S. PATENT DOCUMENTS

D161,473 S * 1/1951 Latina D21/448
D161,474 S * 1/1951 Latina D21/448
2,611,213 A 9/1952 Johnson et al.
D171,293 S * 1/1954 Boyd D12/16.1
D172,465 S * 6/1954 Del Mar D12/333
D172,506 S * 6/1954 Myser D21/450

FIG. 1 is a perspective view showing our new toy plane design;
FIG. 2 is a top view thereof;
FIG. 3 is a bottom view thereof;
FIG. 4 is a front view thereof;
FIG. 5 is a rear view thereof;
FIG. 6 is a left side view thereof; and,
FIG. 7 is a right side view thereof.

The broken lines are for illustrative purposes only and form no part of the claimed design, representing unclaimed portions of the article.

1 Claim, 3 Drawing Sheets



(56)

References Cited

U.S. PATENT DOCUMENTS

3,114,317 A * 12/1963 Estes F42B 8/24
102/348

3,264,777 A 8/1966 McCreary, Jr.

D213,528 S * 3/1969 Rellis D12/332

D232,650 S * 9/1974 Martin D21/447

D240,437 S * 7/1976 Rizzo D21/447

D240,439 S * 7/1976 Rizzo D21/447

4,076,006 A 2/1978 Breslow et al.

D263,322 S * 3/1982 Godbout D21/449

D278,226 S * 4/1985 Henderson D12/319

D278,730 S * 5/1985 Ninomiya D21/449

D279,914 S * 7/1985 Solomon, Jr. D21/449

D280,221 S * 8/1985 Hoge, IV D21/449

D281,338 S * 11/1985 Gorick D21/449

4,698,041 A 10/1987 Dasa

D302,029 S * 7/1989 Ninomiya D21/449

D325,940 S * 5/1992 Ninomiya D21/449

5,289,995 A * 3/1994 Greene B64C 30/00
244/15

5,322,243 A * 6/1994 Stoy B64C 5/10
244/3.24

5,383,805 A 1/1995 Tsai

D365,545 S * 12/1995 Wainfan D12/331

D370,502 S * 6/1996 Nye D21/449

D383,505 S * 9/1997 Wise D21/453

5,908,341 A 6/1999 Dasa

D418,840 S * 1/2000 Cota D12/333

6,074,265 A 6/2000 Barthold

D428,381 S * 7/2000 Hartmann D12/332

6,460,531 B1 * 10/2002 Gourley F41B 11/89
124/64

D481,765 S * 11/2003 Solomon, Jr. D21/449

D482,077 S * 11/2003 Solomon, Jr. D21/449

D482,078 S * 11/2003 Solomon, Jr. D21/449

D482,079 S * 11/2003 Solomon, Jr. D21/449

D482,410 S * 11/2003 Solomon, Jr. D21/449

D483,815 S * 12/2003 Solomon, Jr. D21/449

D488,426 S * 4/2004 Hall D12/319

D501,178 S * 1/2005 Han D12/319

D508,013 S * 8/2005 Rihn D12/319

D543,494 S * 5/2007 Hall D12/319

D543,593 S * 5/2007 Lapointe D21/452

D559,762 S * 1/2008 Au D12/319

D576,216 S * 9/2008 Van de Rostyne D21/449

D577,392 S * 9/2008 Van de Rostyne D21/449

D588,519 S * 3/2009 Westra D12/319

D588,976 S * 3/2009 Westra D12/319

D597,472 S * 8/2009 Cazals D12/319

D616,352 S * 5/2010 Schafroth D12/319

D626,490 S * 11/2010 Imel D12/319

D627,010 S * 11/2010 Routzong D21/452

D677,613 S * 3/2013 Luther D12/319

D679,339 S * 4/2013 Genovese D21/452

D679,340 S * 4/2013 Genovese D21/452

D706,361 S * 6/2014 Giovannone, Sr. D21/452

8,864,545 B2 10/2014 Perdomo

D730,454 S * 5/2015 Frawley D21/441

D738,438 S * 9/2015 Cummings D21/447

9,567,075 B2 * 2/2017 Tighe B64C 29/02

D783,453 S * 4/2017 Klick D12/16.1

D801,222 S * 10/2017 Zhou D12/16.1

D806,802 S * 1/2018 Gould D21/449

D806,803 S * 1/2018 Gould D21/449

D810,621 S * 2/2018 Sadek D12/16.1

10,370,082 B2 * 8/2019 Har B64C 3/385

10,399,701 B2 * 9/2019 Lavine F16F 15/067

D866,394 S * 11/2019 Shih D12/16.1

D874,577 S * 2/2020 Alonso D21/445

D874,578 S * 2/2020 Alonso D21/445

D887,951 S * 6/2020 Feldman D12/345

10,696,376 B2 * 6/2020 Ji B64C 39/024

2005/0191930 A1 9/2005 Foster et al.

2009/0179106 A1 * 7/2009 Ustinov B64D 5/00
244/2

2015/0053824 A1 * 2/2015 De Smet B64C 11/002
244/175

2015/0225079 A1 * 8/2015 Starck B64C 29/0066
244/12.5

2015/0231519 A1 8/2015 Tsai

2016/0209850 A1 * 7/2016 Golubev B64C 39/024

2018/0039272 A1 * 2/2018 Seydoux G05D 1/0088

OTHER PUBLICATIONS

“Fire Fox Skytire V-Tail EPO Foam Super Durable Hand Glider, 24”” product listing on Amazon.com at <https://www.amazon.com/Fire-Fox-Skyfire-V-Tail-Durable/dp/B00CQA1A4W>, printed Oct. 25, 2016.

“Other Flyers” web page article by Dave Pecota on “All About Toys” website at http://www.oldwoodtoys.com/other_glidern.htm, printed Oct. 25, 2016.

“Spin Master—Air Hogs Airwing Blaster Rocket” product page on Spinmaster.com at http://www.spinmaster.com/product_detail_php?pid=p20212&bid=cat_air_hogs, printed Oct. 25, 2016.

“Whipstick Foam Airplane Set” product page on Woot.com at <https://kids.woot.com/blog/post/whipstick-foam-airplane-set>, printed Oct. 25, 2016.

* cited by examiner

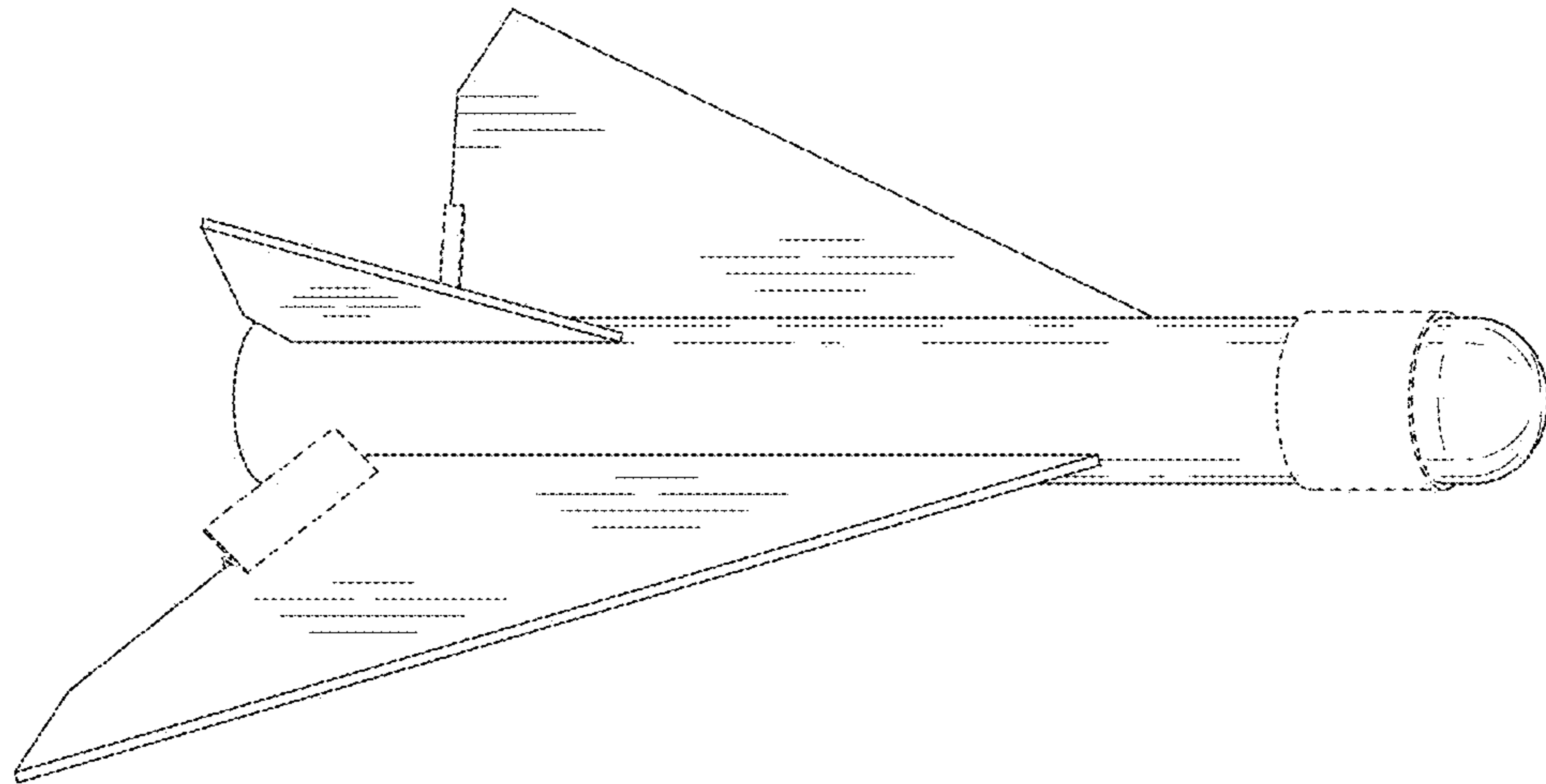


Fig. 1

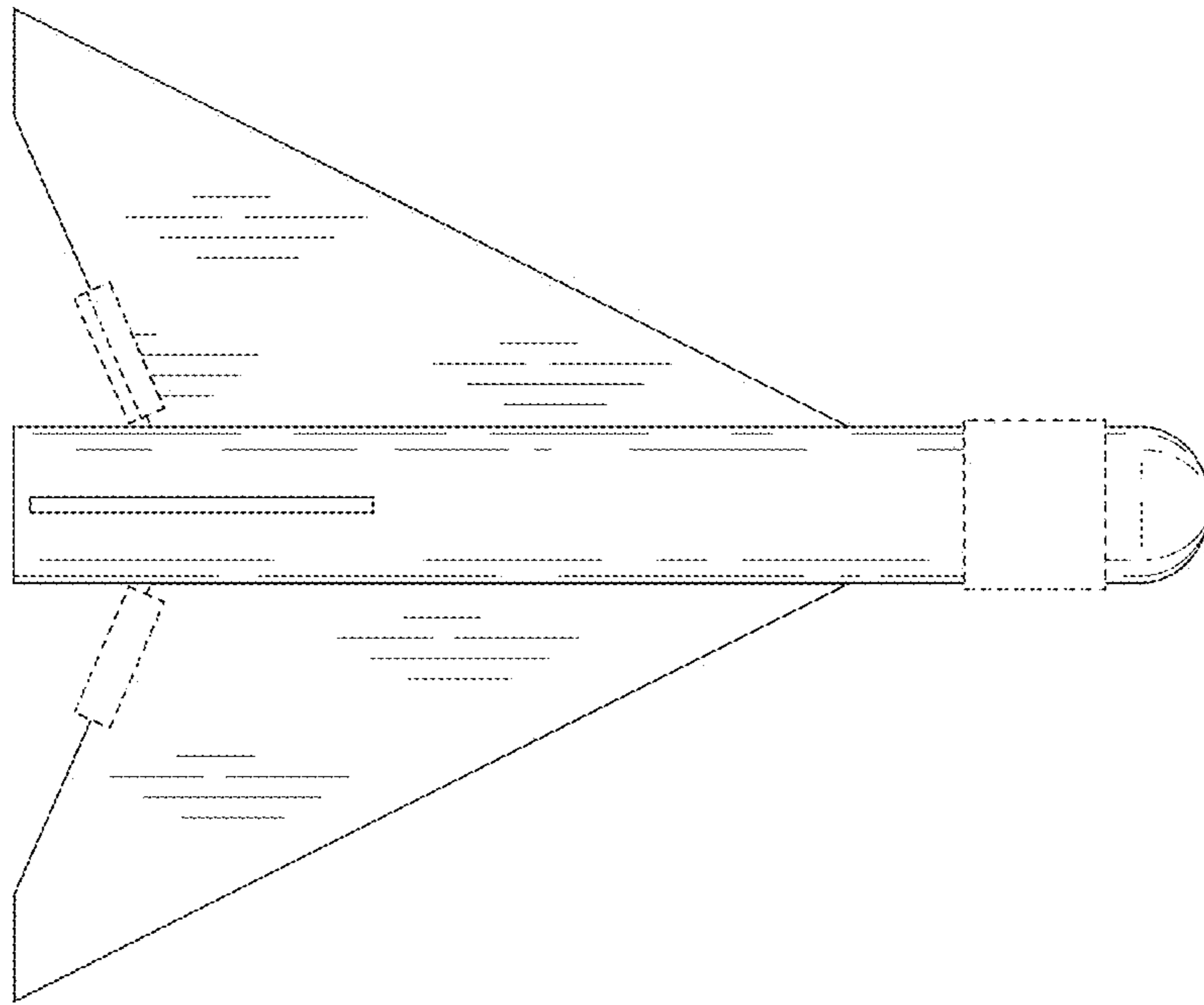


Fig. 2

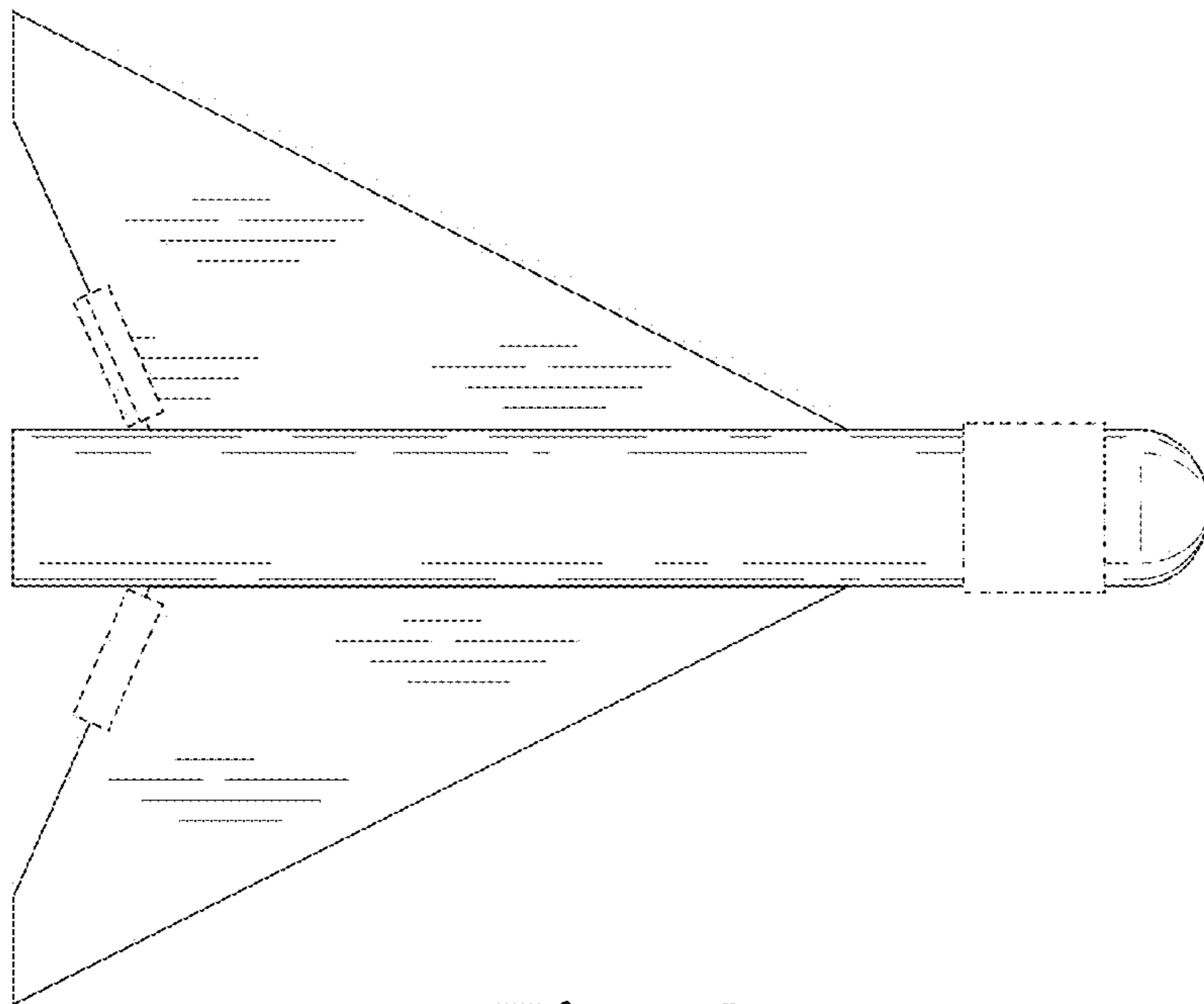


Fig. 3

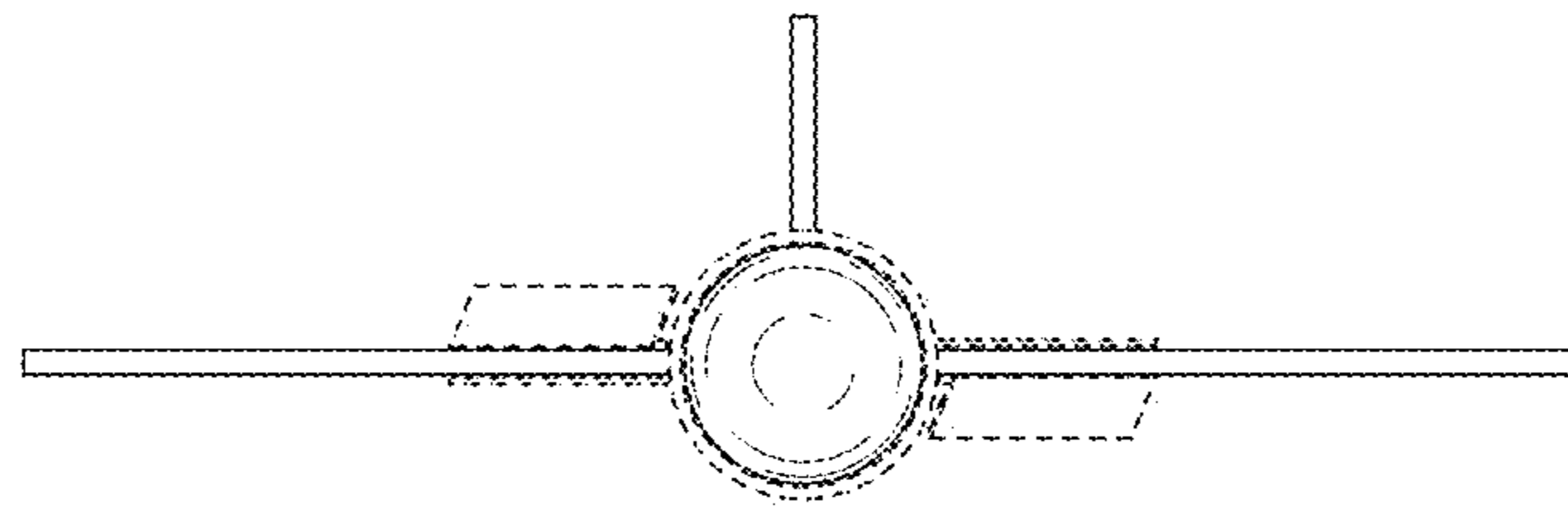


Fig. 4

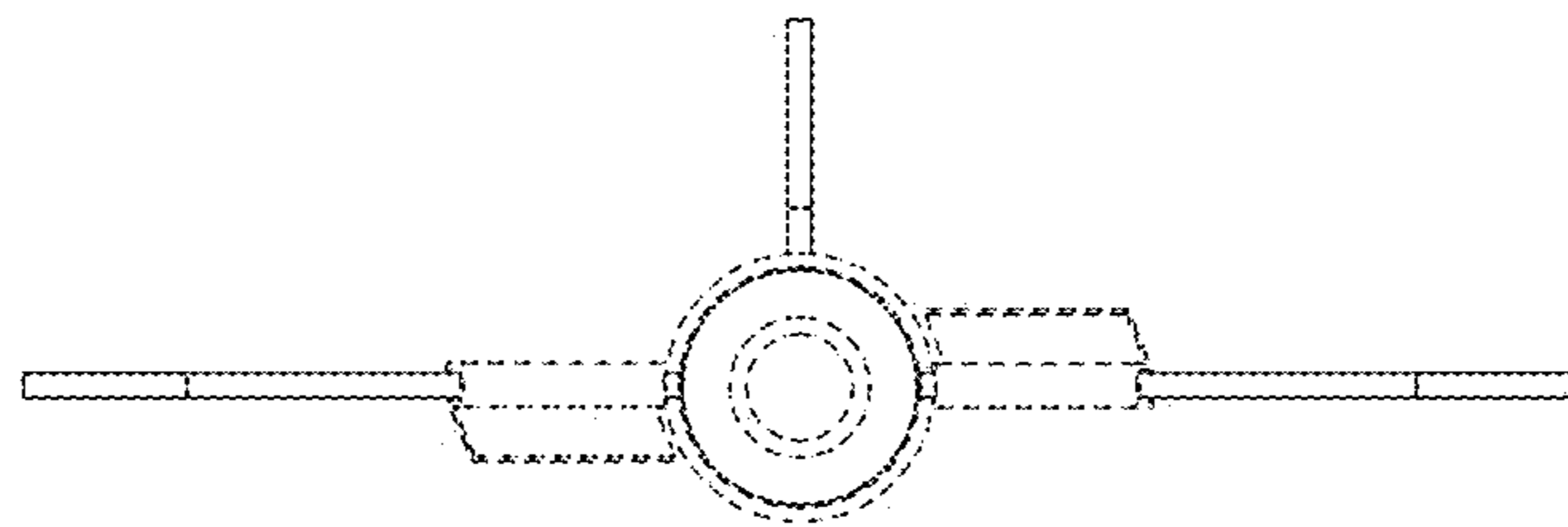


Fig. 5

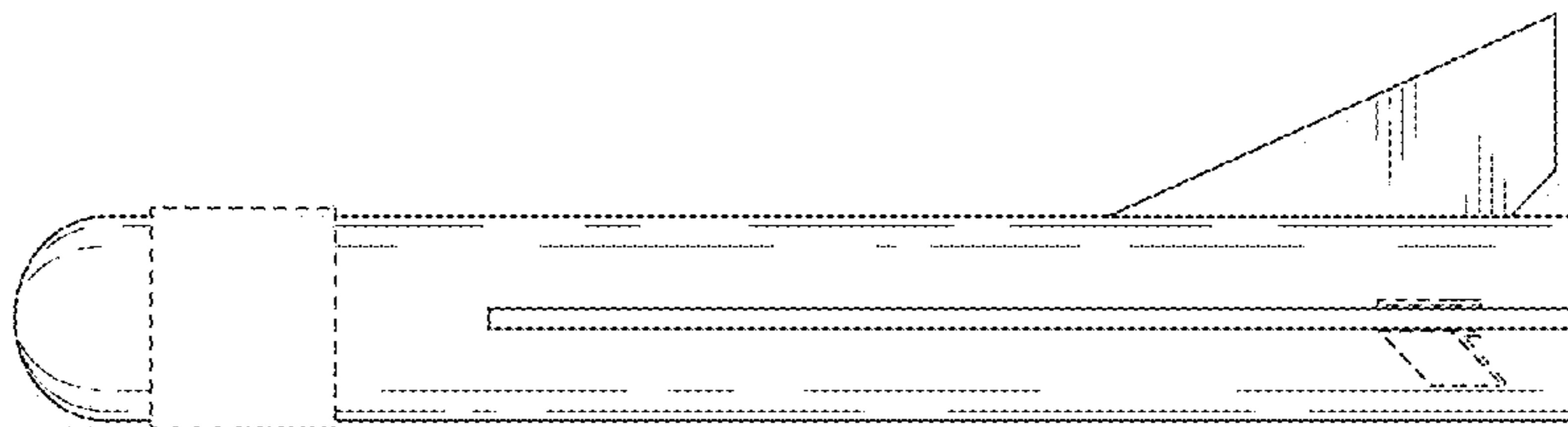


Fig. 6

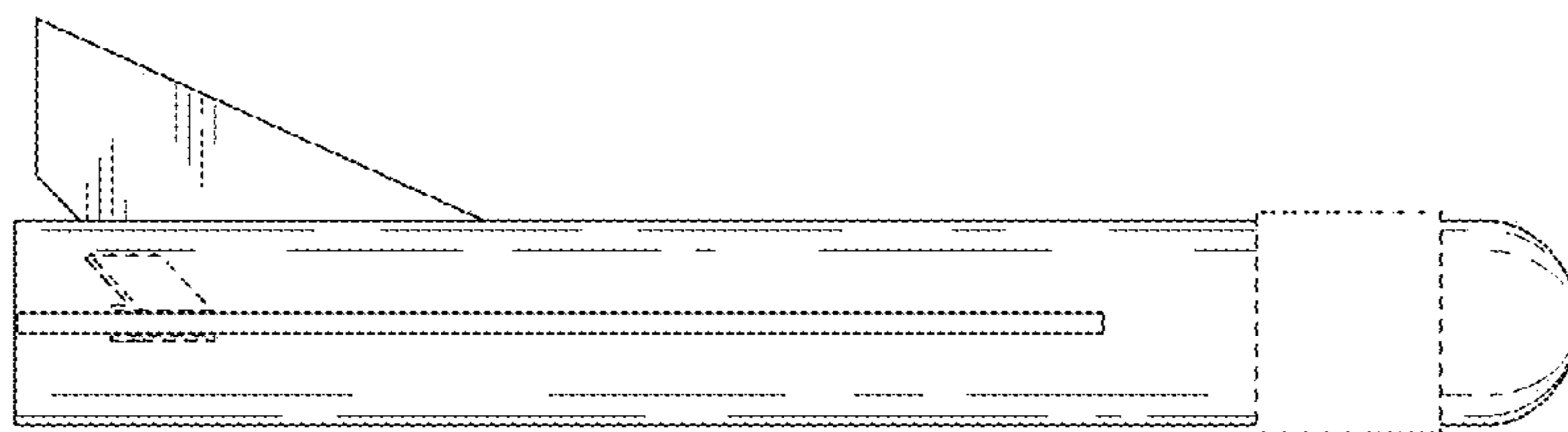


Fig. 7