



US00D905174S

(12) **United States Design Patent**  
**Doerksen et al.**

(10) **Patent No.:** **US D905,174 S**  
(45) **Date of Patent:** **\*\* Dec. 15, 2020**

- (54) **MOTORIZED SCOOTER**
- (71) Applicant: **Future Motion, Inc.**, Santa Cruz, CA (US)
- (72) Inventors: **Kyle Jonathan Doerksen**, Santa Cruz, CA (US); **Joseph Wilcox**, Palo Alto, CA (US)
- (73) Assignee: **Future Motion, Inc.**, Santa Cruz, CA (US)
- (\*\*) Term: **15 Years**
- (21) Appl. No.: **29/695,232**
- (22) Filed: **Jun. 17, 2019**
- (51) **LOC (12) Cl.** ..... **21-01**
- (52) **U.S. Cl.**  
USPC ..... **D21/423; D21/432**
- (58) **Field of Classification Search**  
USPC ..... D21/419, 421, 423, 432, 435, 760, 763, D21/765, 771; D12/1, 110  
CPC ..... B62K 3/002; B62K 9/00; B62K 2202/00; B62K 15/00; B62K 2015/001; B62K 2015/003; B60Y 2200/126  
See application file for complete search history.

8,794,654 B1 \* 8/2014 Chen ..... B62K 9/00 280/287  
 D819,498 S \* 6/2018 Li ..... D12/107  
 D830,911 S \* 10/2018 Li ..... D12/110  
 D855,116 S \* 7/2019 Desberg ..... D21/424

\* cited by examiner

*Primary Examiner* — Cynthia M. Chin

(74) *Attorney, Agent, or Firm* — Kolitch Romano LLP

(57) **CLAIM**

The ornamental design for a motorized scooter, as shown and described.

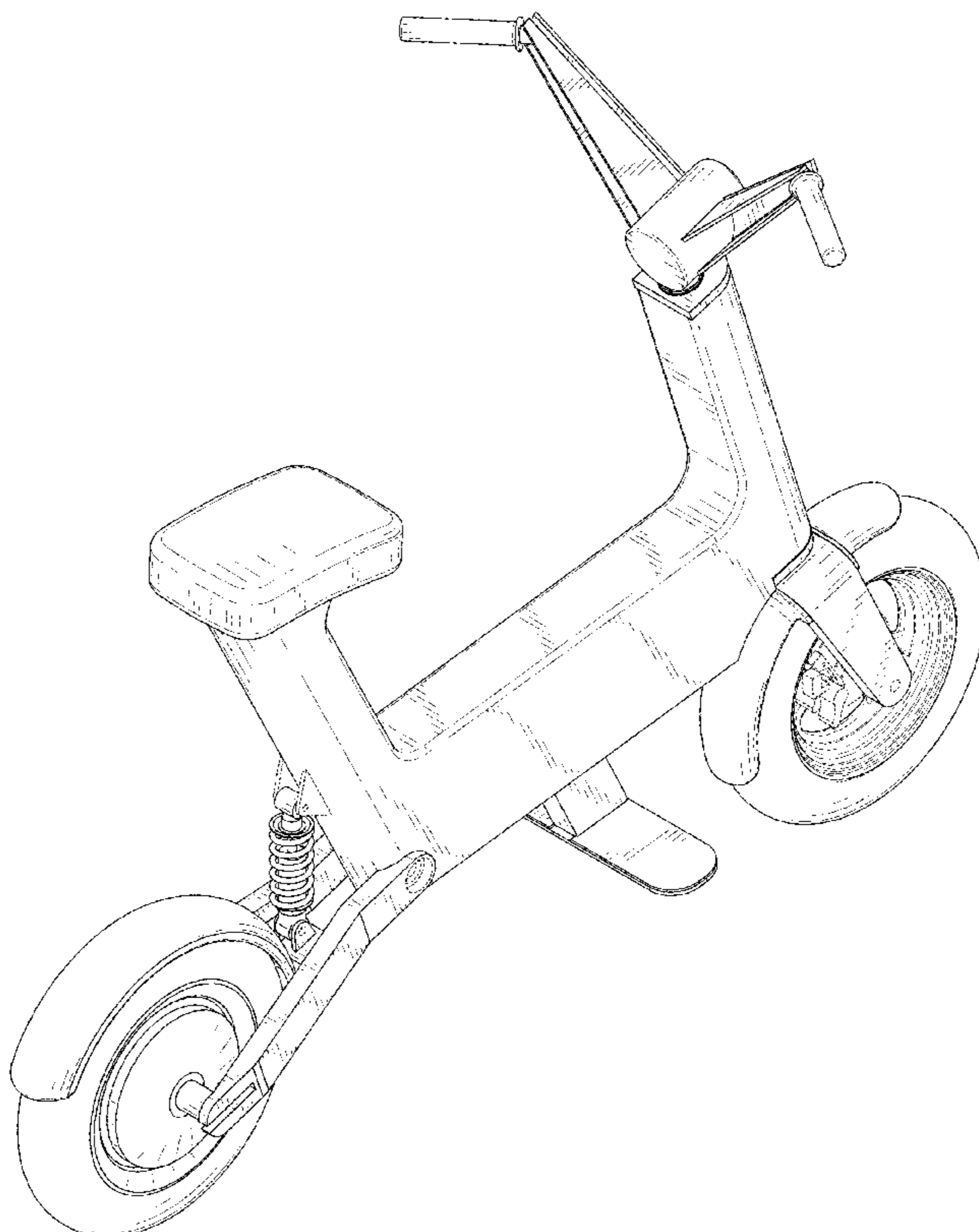
**DESCRIPTION**

FIG. 1 is a front view of our new design for a motorized scooter;  
 FIG. 2 is a rear view thereof;  
 FIG. 3 is a left side view thereof;  
 FIG. 4 is a right side view thereof;  
 FIG. 5 is a top view thereof;  
 FIG. 6 is a bottom view thereof;  
 FIG. 7 is a perspective view thereof; and,  
 FIG. 8 is another perspective view thereof.  
 The broken lines are for the purpose of illustrating portions of the article that form no part of the claim. The shading lines shown in the drawings represent the approximate three-dimensional contour of the design, and are not intended to indicate surface decoration.

(56) **References Cited**  
U.S. PATENT DOCUMENTS

D253,901 S \* 1/1980 Sansom ..... D12/110  
 D694,672 S \* 12/2013 Starck ..... D12/110

**1 Claim, 8 Drawing Sheets**



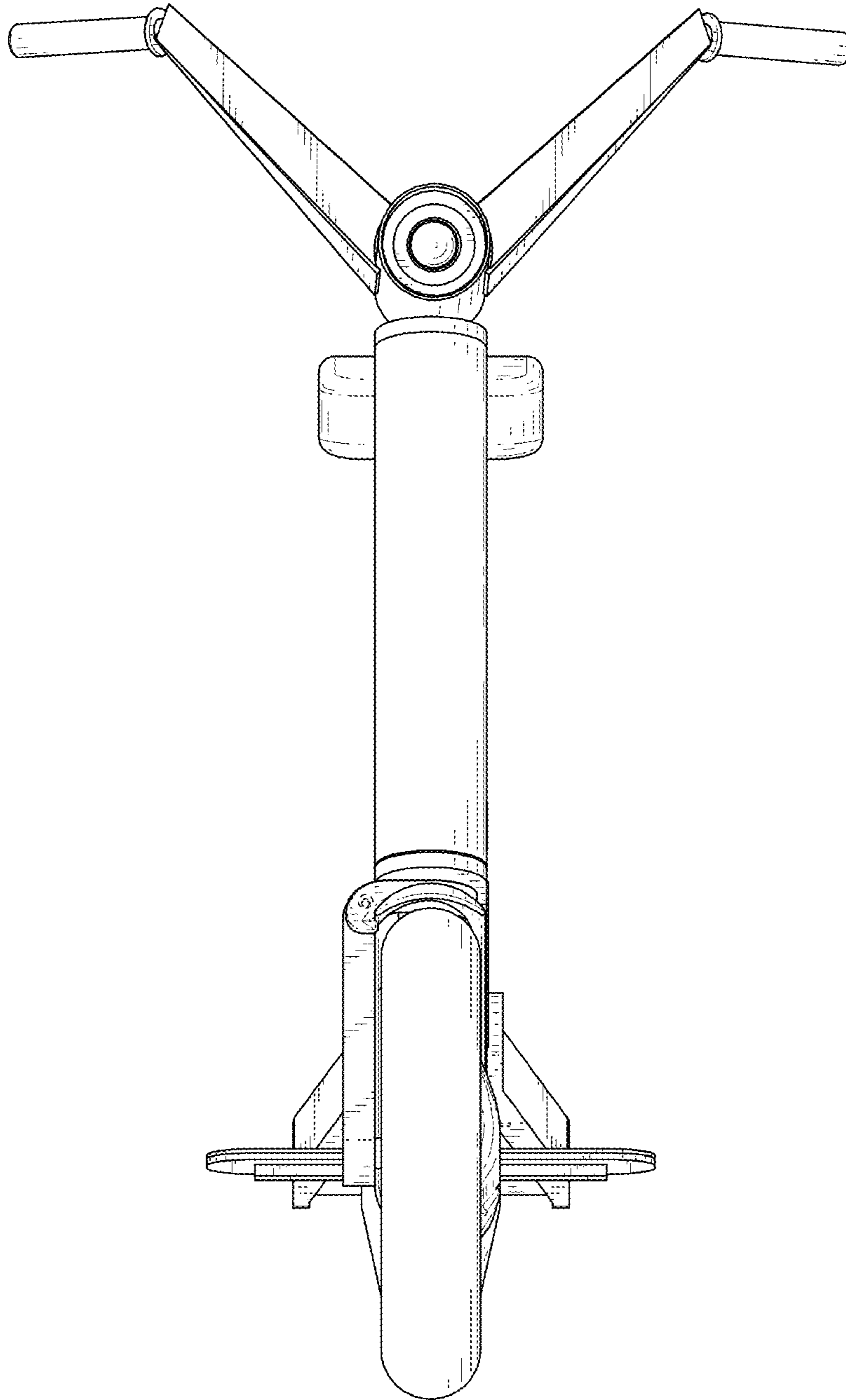


FIG. 1

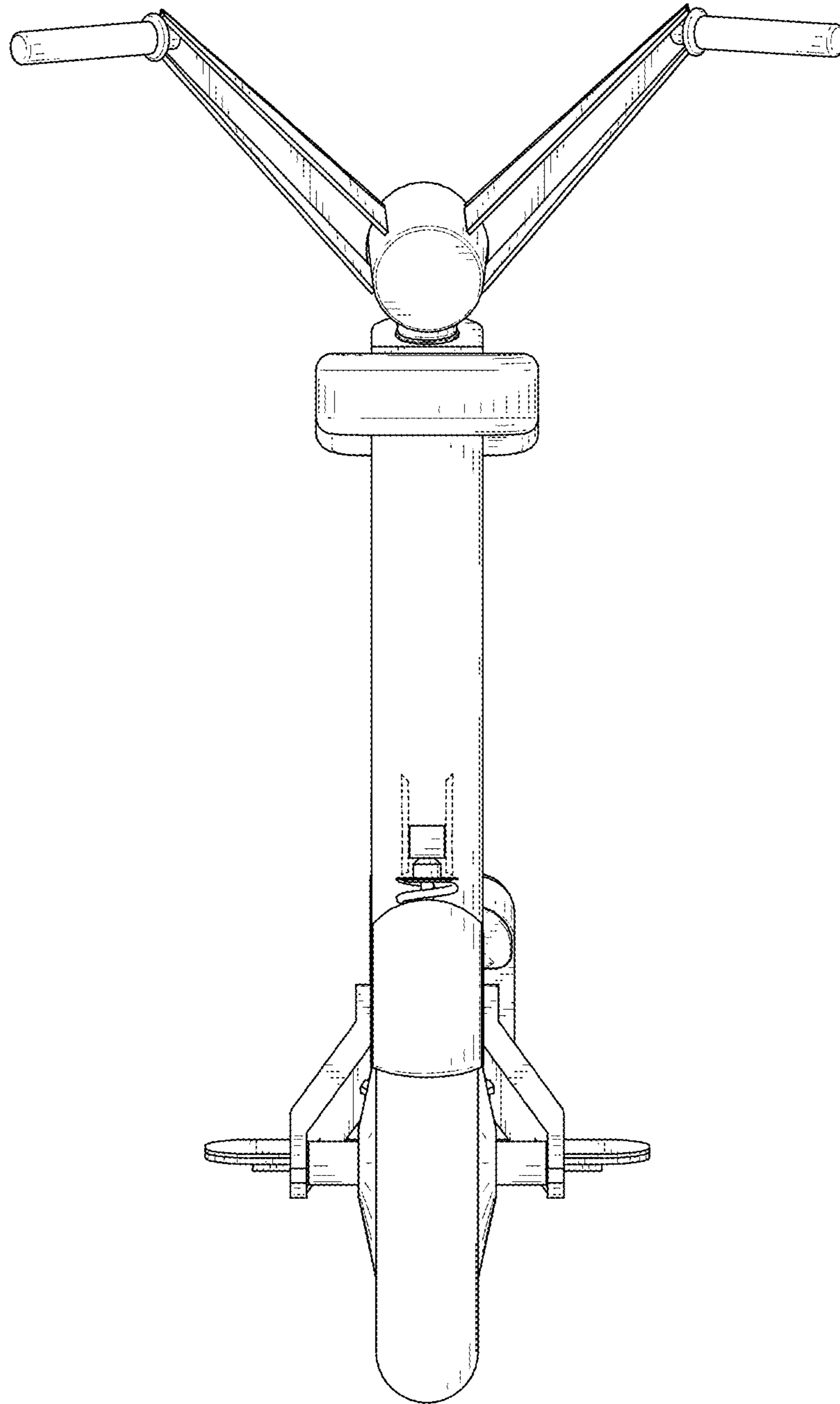


FIG. 2

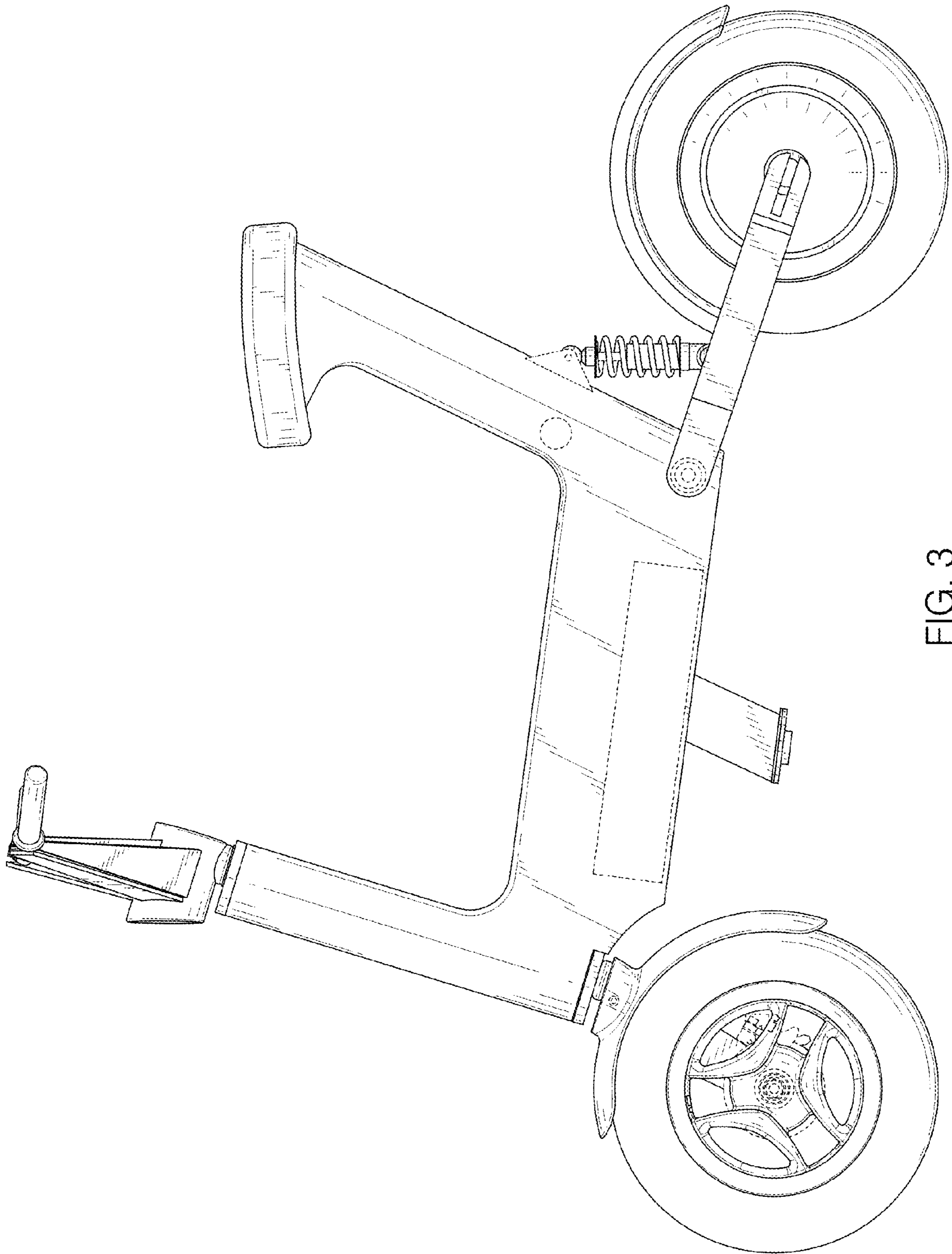


FIG. 3

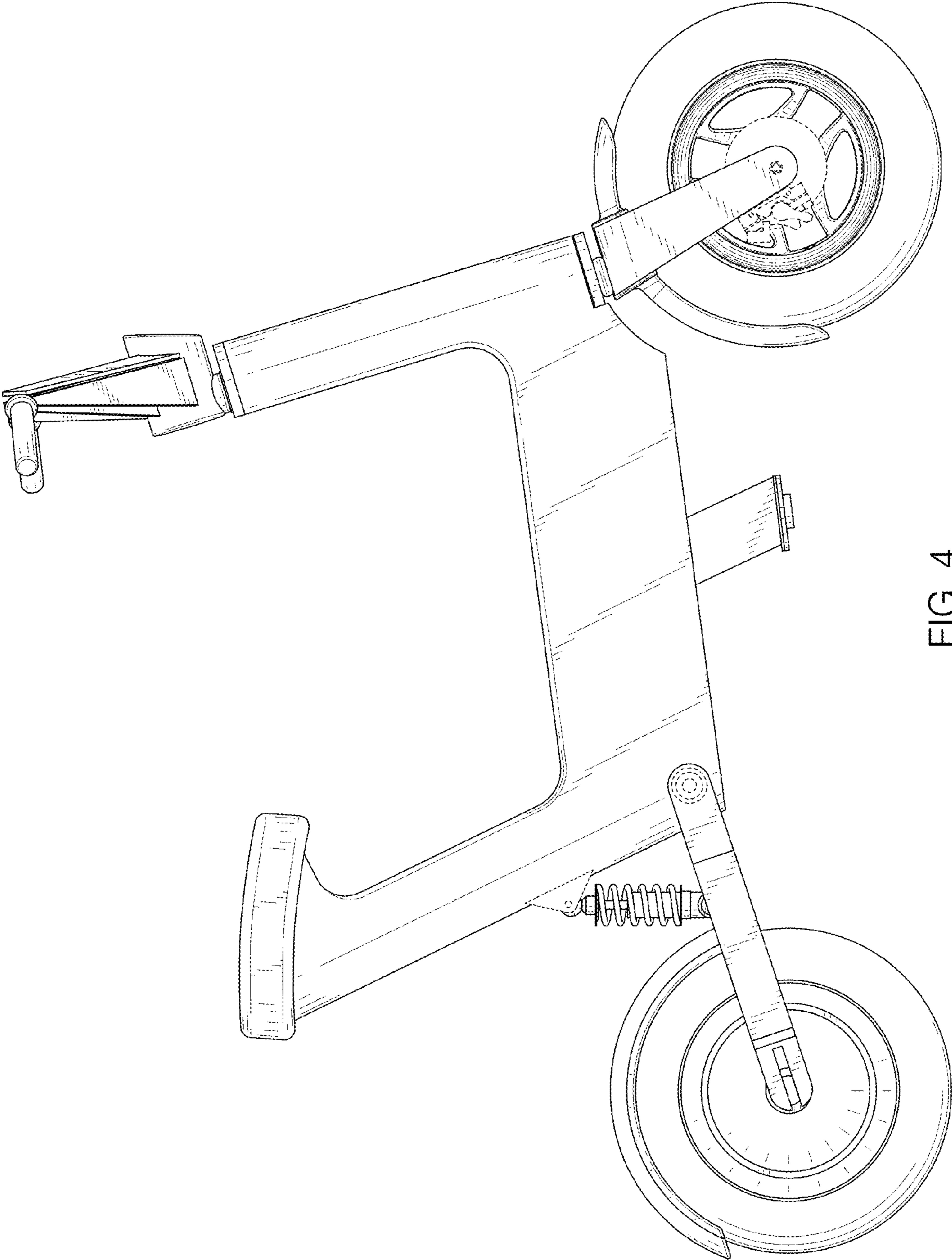


FIG. 4

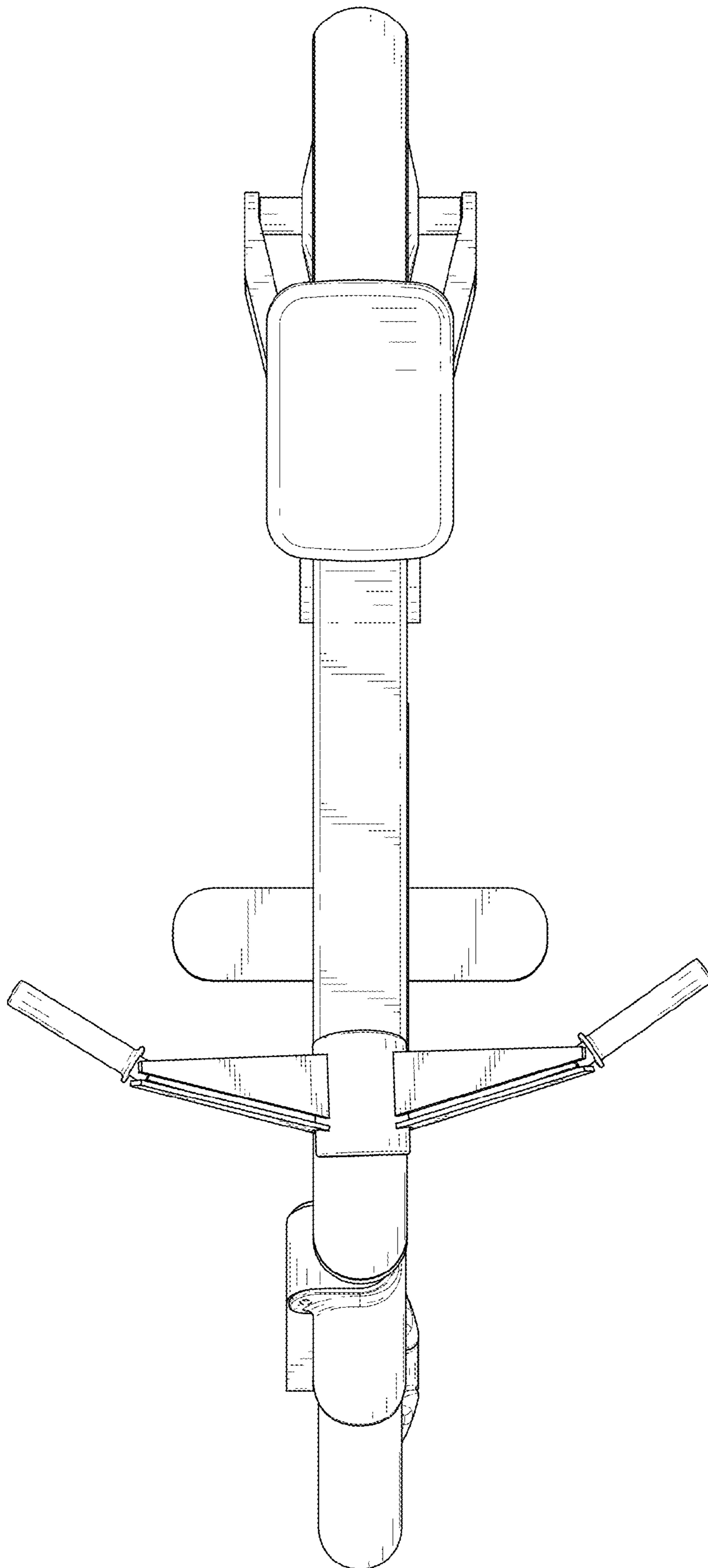


FIG. 5

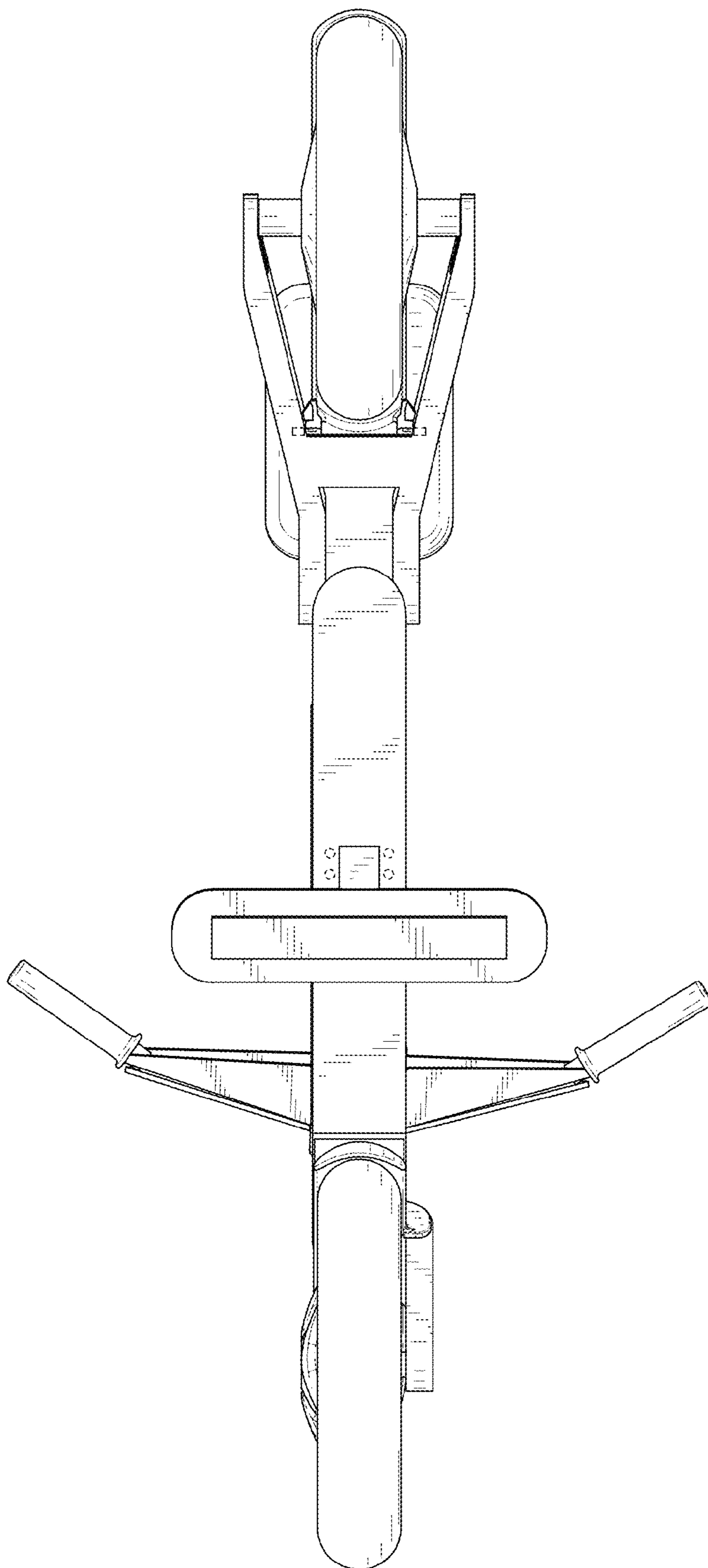


FIG. 6

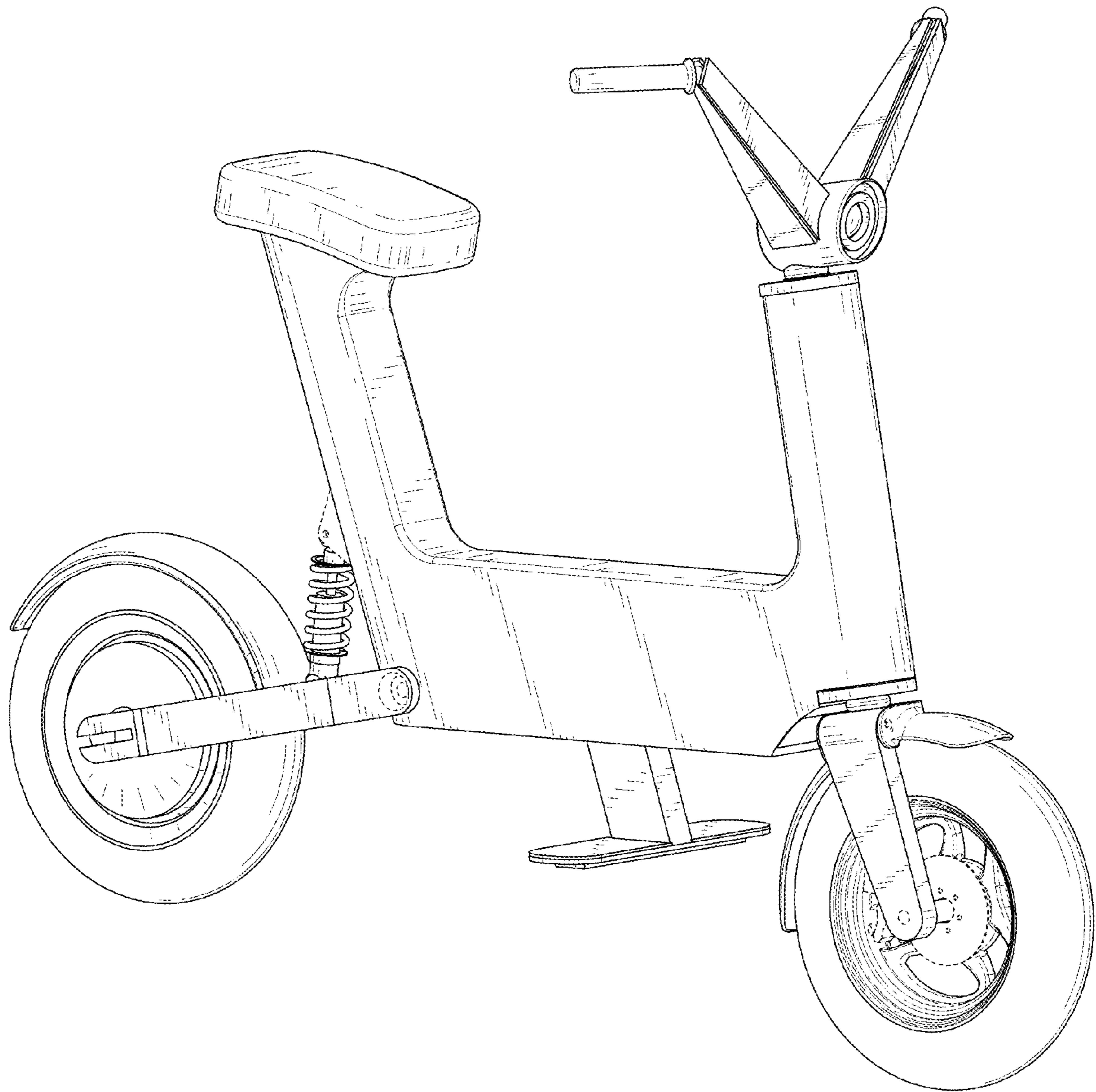


FIG. 7



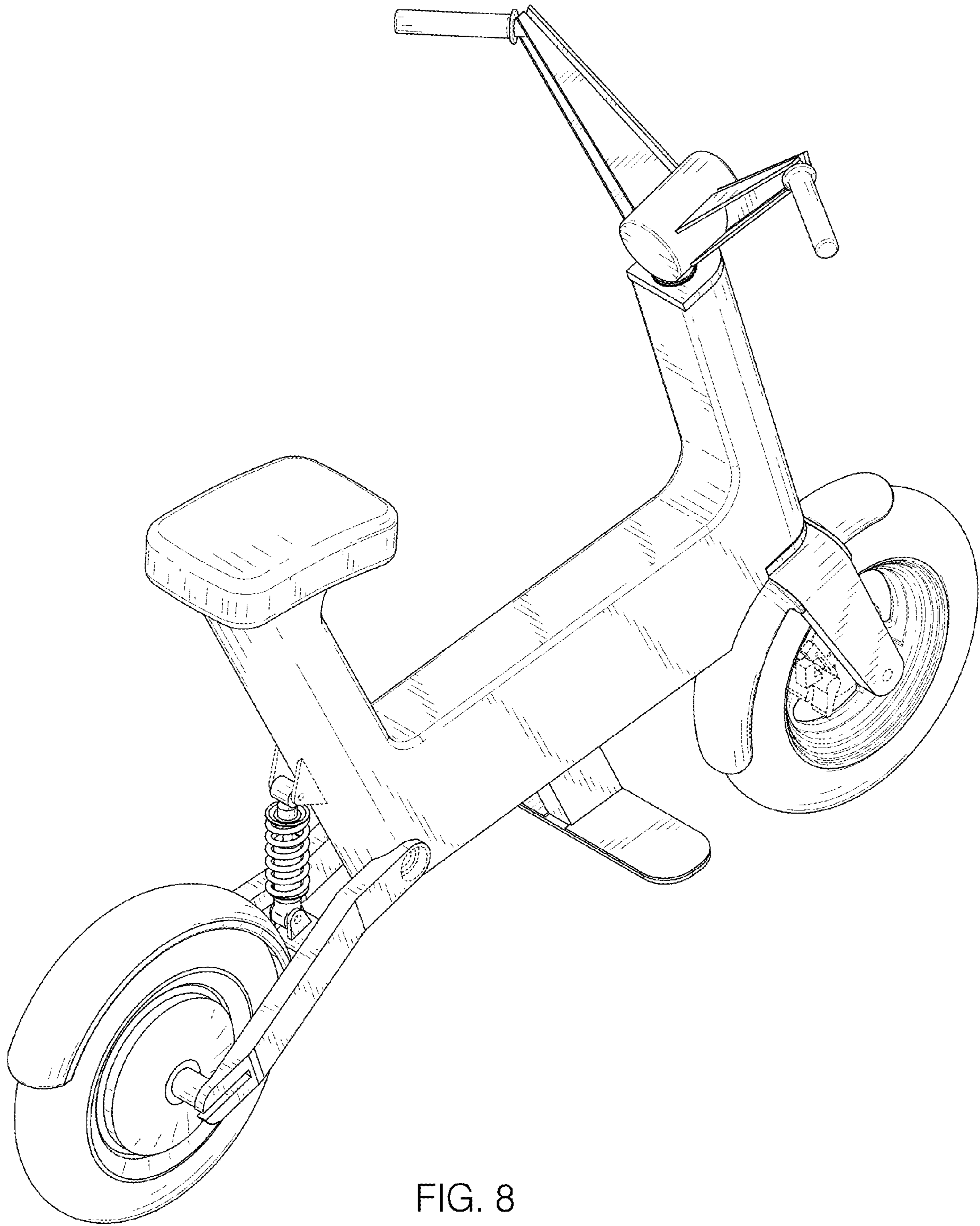


FIG. 8