



US00D905171S

(12) **United States Design Patent**  
**Cowan**

(10) **Patent No.:** **US D905,171 S**  
(45) **Date of Patent:** **\*\* Dec. 15, 2020**

(54) **PORTABLE HOPSCOTCH GAME**  
(71) Applicant: **Jerome Cowan**, Lynwood, CA (US)  
(72) Inventor: **Jerome Cowan**, Lynwood, CA (US)  
(\*\*) Term: **15 Years**  
(21) Appl. No.: **29/699,055**  
(22) Filed: **Jul. 23, 2019**  
(51) **LOC (12) Cl.** ..... **21-01**  
(52) **U.S. Cl.**  
USPC ..... **D21/334**; D21/706; D21/367  
(58) **Field of Classification Search**  
USPC ..... D21/334, 706, 363, 350, 353, 365-367,  
D21/351; 473/414  
CPC ..... A63F 2250/215; A63B 5/22; A63B 5/00;  
A63B 67/066; A63B 43/008; A63B  
2043/001; A63B 2208/12  
See application file for complete search history.

5,156,409 A 10/1992 Barnes  
D343,644 S \* 1/1994 Boss ..... D21/363  
D367,680 S \* 3/1996 Abbott ..... D21/335  
5,672,123 A \* 9/1997 Rudell ..... A63B 5/22  
239/273  
5,683,314 A \* 11/1997 Musso ..... B05B 17/08  
473/414  
5,785,613 A \* 7/1998 Francis ..... A63B 5/22  
473/414  
5,803,835 A \* 9/1998 Moton ..... A63B 5/22  
473/414  
5,839,976 A 11/1998 Darr  
5,924,940 A 7/1999 Lucy, Jr.  
6,251,032 B1 \* 6/2001 Butler ..... A63B 5/22  
473/414  
D455,181 S \* 4/2002 Moffett, III ..... D21/300  
7,465,263 B1 \* 12/2008 Conrad ..... A63B 21/4037  
434/393  
7,481,726 B2 1/2009 Hawk  
D638,069 S 5/2011 Rodriguez  
8,579,732 B1 11/2013 Hershkovich  
9,047,786 B2 \* 6/2015 MaLossi ..... A63B 6/00  
(Continued)

(56) **References Cited**  
U.S. PATENT DOCUMENTS

3,091,454 A \* 5/1963 Joney ..... A63B 5/22  
473/414  
RE25,474 E \* 11/1963 O'Rear ..... A63C 19/06  
473/414  
3,136,545 A \* 6/1964 Stokes ..... A63C 19/06  
473/414  
3,139,281 A \* 6/1964 Nicholson ..... A63B 5/22  
473/414  
3,515,385 A 6/1970 Gunderson  
3,768,809 A \* 10/1973 Ciarfello ..... A63C 19/06  
473/414  
4,078,793 A \* 3/1978 Allen ..... A63C 19/06  
473/414  
4,185,819 A \* 1/1980 Hartley ..... A63B 5/22  
273/458  
4,733,864 A \* 3/1988 Casteel ..... A63F 9/0001  
273/DIG. 27

FOREIGN PATENT DOCUMENTS

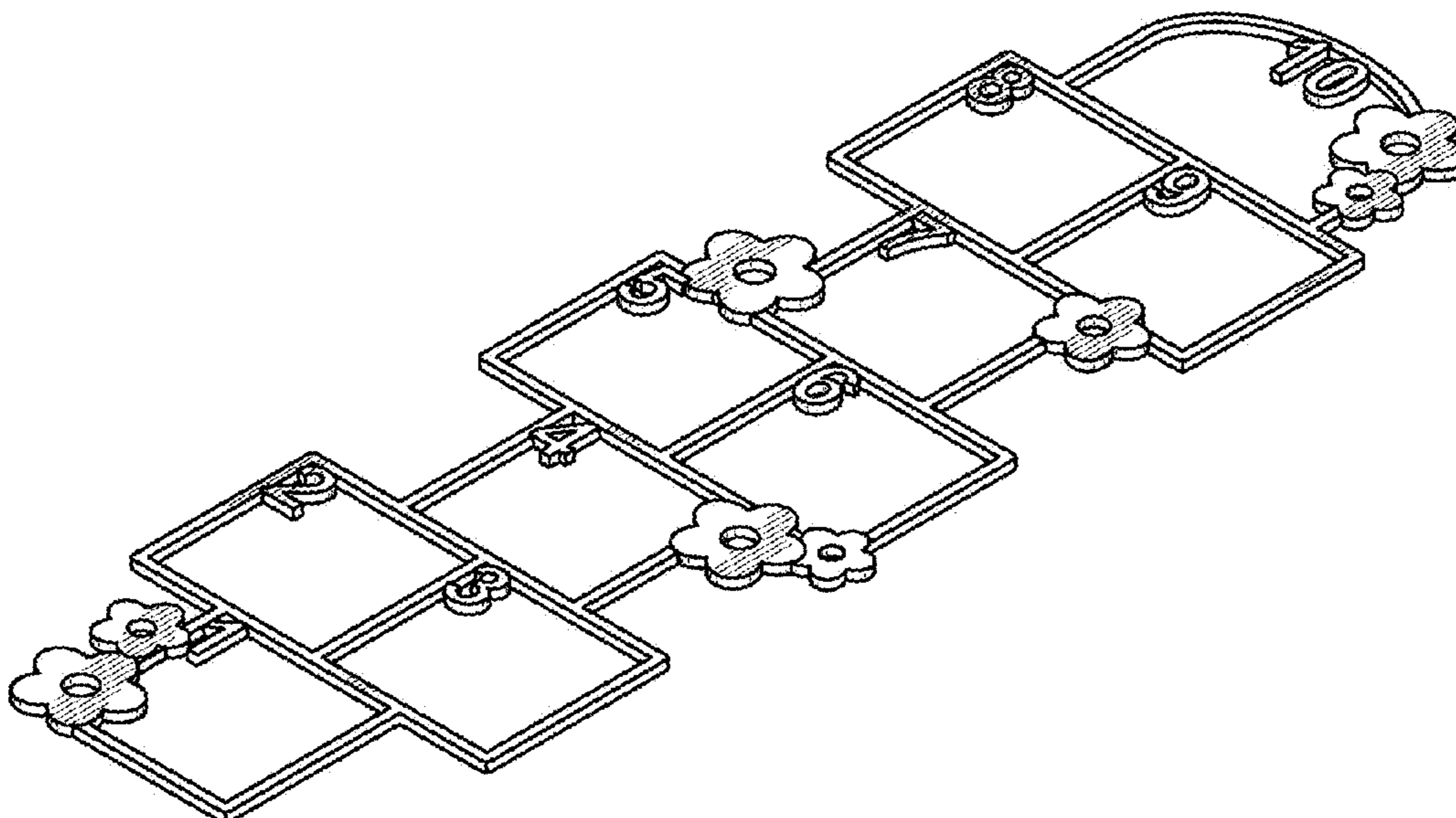
WO 2016054430 4/2016  
*Primary Examiner* — Susan Moon Lee

(57) **CLAIM**  
I claim the ornamental design for a portable hopscotch game, as shown and described.

**DESCRIPTION**

FIG. 1 is a front view of the portable hopscotch game.  
FIG. 2 is a rear view thereof.  
FIG. 3 is a left side view thereof.  
FIG. 4 is a right side view thereof.  
FIG. 5 is a top view thereof.  
FIG. 6 is a bottom view thereof; and,  
FIG. 7 is a perspective view thereof.

**1 Claim, 3 Drawing Sheets**



(56)

**References Cited**

U.S. PATENT DOCUMENTS

2006/0194651 A1\* 8/2006 Hawk ..... A63B 67/00  
473/414  
2010/0081521 A1\* 4/2010 Dougherty ..... A63B 67/066  
473/414

\* cited by examiner

FIG. 1

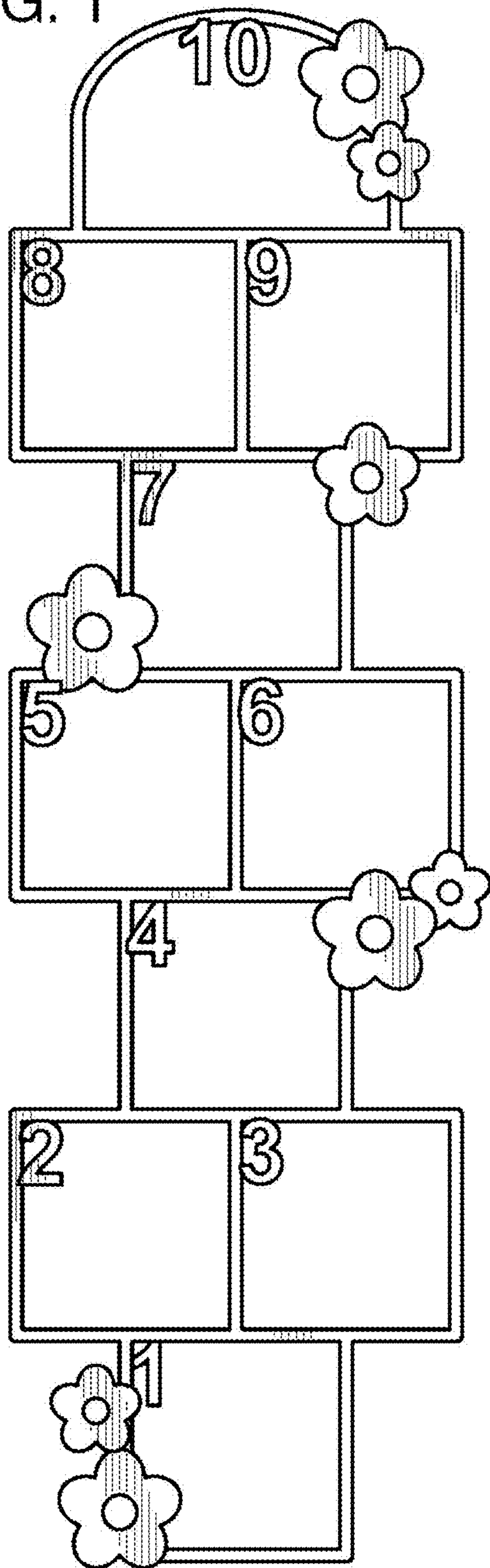


FIG. 2

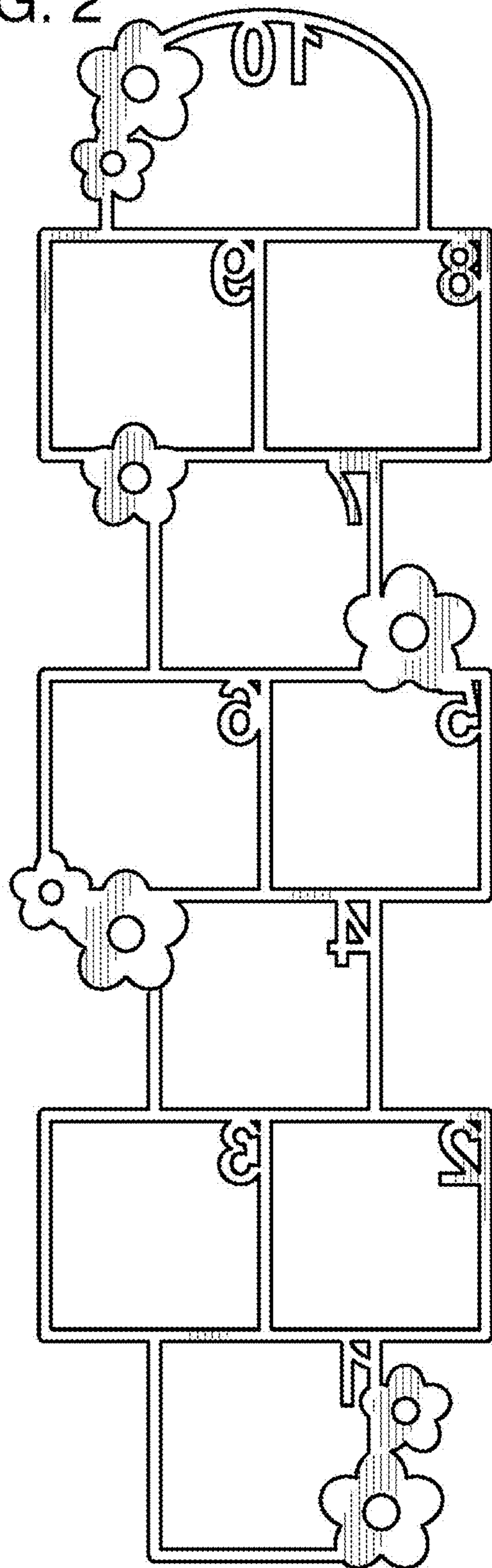


FIG. 3



FIG. 4

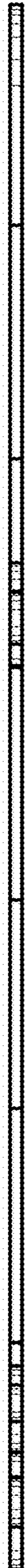


FIG. 5

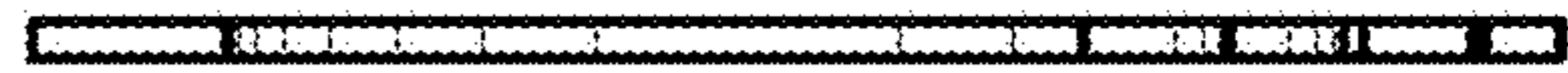


FIG. 6



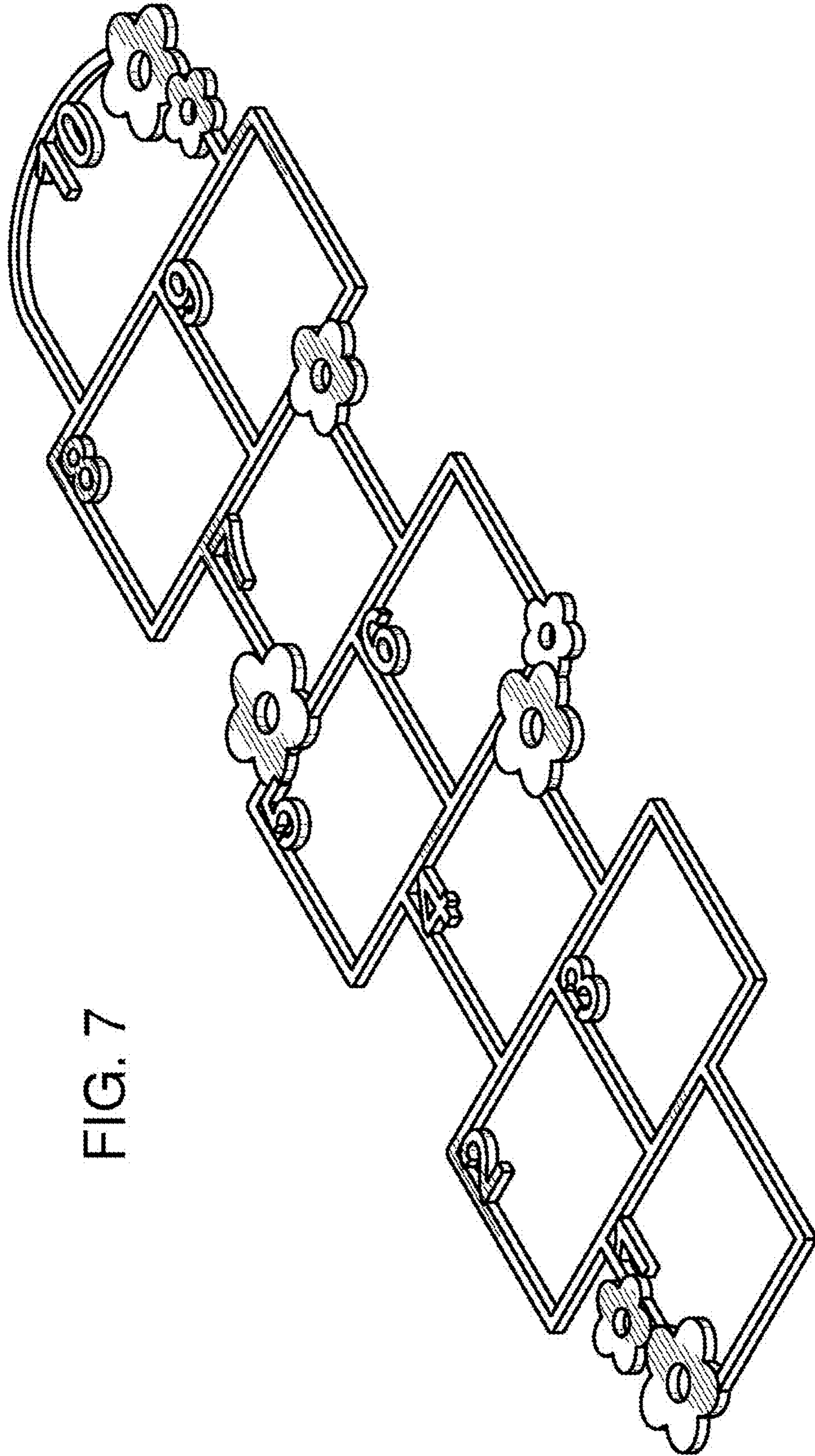


FIG. 7