



US00D905170S

(12) **United States Design Patent** (10) **Patent No.:** **US D905,170 S**
Fuchs et al. (45) **Date of Patent:** **** Dec. 15, 2020**

- (54) **VIDEO GAME CONTROLLER**
- (71) Applicant: **Arkade, Inc.**, Van Nuys, CA (US)
- (72) Inventors: **Joshua Allan Fuchs**, Granada Hills, CA (US); **Joel Abraham Kort**, Van Nuys, CA (US); **Charles Michael Seltzer**, Sag Harbor, NY (US)
- (73) Assignee: **Arkade, Inc.**, Centennial, CO (US)
- (**) Term: **15 Years**
- (21) Appl. No.: **29/741,756**
- (22) Filed: **Jul. 15, 2020**

Related U.S. Application Data

- (62) Division of application No. 29/679,858, filed on Feb. 11, 2019.
- (51) **LOC (12) Cl.** **21-01**
- (52) **U.S. Cl.**
USPC **D21/333; D14/418**
- (58) **Field of Classification Search**
USPC D14/399-402, 418, 496; D21/324, 328, D21/333, 573, 575
CPC A63H 5/04; F41J 5/02
See application file for complete search history.

(56) **References Cited**

U.S. PATENT DOCUMENTS

D524,871 S	7/2006	Nunokawa	
D614,624 S *	4/2010	Zhang	D14/418
D618,687 S *	6/2010	Ito	D14/418
D646,281 S	10/2011	Markowitz et al.	
D658,260 S	4/2012	Huang et al.	
D693,811 S	11/2013	Augustin, Jr. et al.	
D702,793 S	4/2014	Burt et al.	
D730,999 S	6/2015	Stevens	

D740,908 S	10/2015	Tresserras Torre et al.
D814,598 S	4/2018	Monti
D819,766 S	6/2018	Farris et al.
D826,204 S	8/2018	Ozkaner et al.
D847,137 S	4/2019	Monti et al.
D849,869 S	5/2019	Kielsmeier et al.
D877,281 S	3/2020	Jones
D879,880 S	3/2020	Abe

OTHER PUBLICATIONS

“AR Gamepad Smart Somatosensory Game Gun” Nov. 23, 2019, Amazon UK, site visited Apr. 12, 2020: <https://www.amazon.co.uk/dp/B081WLC453> (Year: 2019).

(Continued)

Primary Examiner — Michael C Stout
Assistant Examiner — Melvin L Davis
(74) *Attorney, Agent, or Firm* — Foley & Lardner LLP

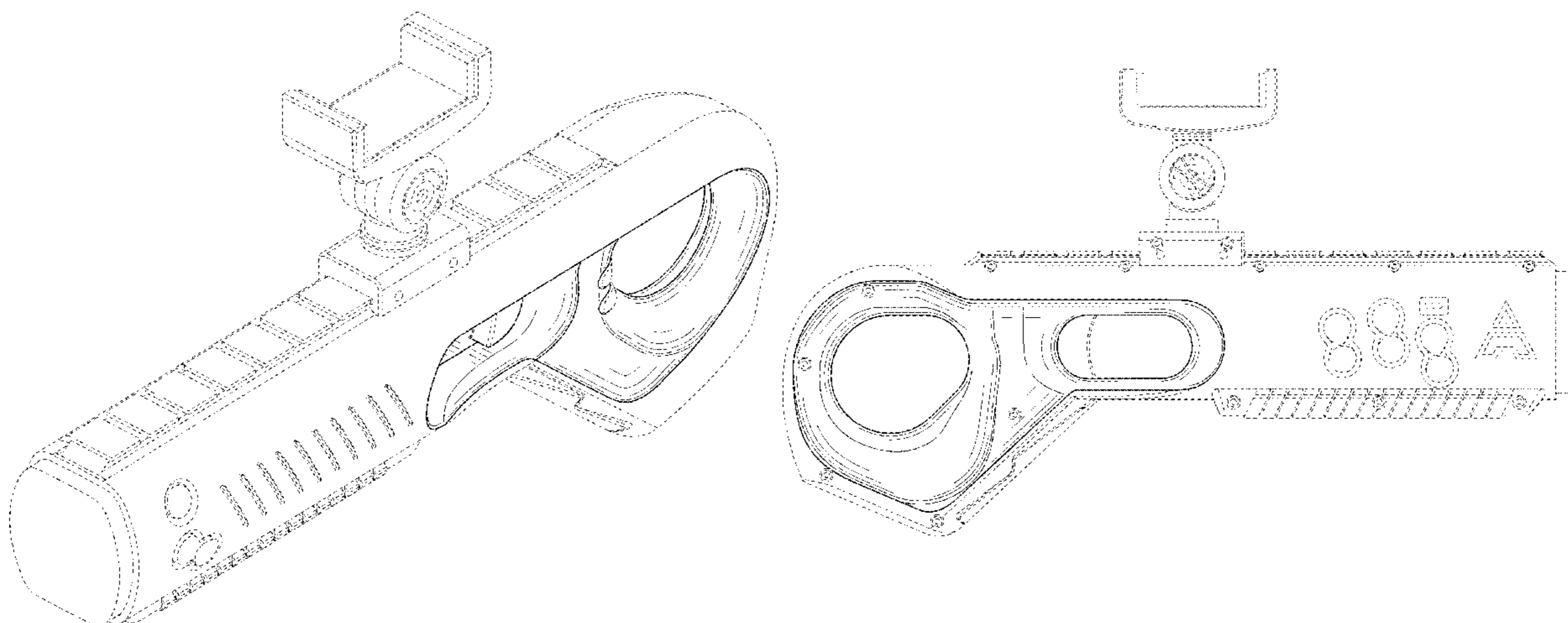
(57) **CLAIM**

We claim the ornamental design for a video game controller, as shown and described.

DESCRIPTION

FIG. 1 is a front-left perspective view from above of a video game controller;
FIG. 2 is a left side view thereof;
FIG. 3 is a right side view thereof;
FIG. 4 is a rear view thereof;
FIG. 5 is a front view thereof;
FIG. 6 is a top view thereof;
FIG. 7 is a bottom view thereof; and,
FIG. 8 is a rear-right perspective view from below thereof.
The broken line showing of the video game controller is for the purposes of illustrating portions of the article and forms no part of the claimed design.

1 Claim, 6 Drawing Sheets



(56)

References Cited

OTHER PUBLICATIONS

“Arkade Blaster—Now Available on IndieGoGo!” Mar. 24, 2020, YouTube, site visited Apr. 1, 2020: <https://youtu.be/Yc2S2uPnVM> (Year: 2020).

“PlayStation Move Sharp Shooter for PlayStation 3” Feb. 22, 2011, Amazon.com, site visited Apr. 1, 2020: https://www.amazon.com/dp/B002I0K622/ref=cm_sw_r_tw_dp_U_x_BbtHEbN5EYD63 (Year: 2011).

AR Blaster—360° Augmented Reality Video Game—Smart Phone Toy Gun Controller for iPhone & Android phones—Bluetooth 4.2 Mar. 24, 2020, 7 pages from url link: https://www.amazon.com/AR-Blaster-Augmented-Reality-Controller-Bluetooth/dp/B0762T1YYK/ref=pd_sbs_147_4/143-0087825-2430220?_encoding=UTF8&pd_rd_i=B0762T1YYK&pd_rd_r=ffc5351e-f9ba-4c51-ad97-cb3097544121&pd_rd_w=mx37J&pd_rd_wg=F34Wd&pf_rd_p=7cd8f929-4345-4bf2-a554-7d7588b3dd5f&pf_rd_r=Z3N3YWQZ715NJRFJQFVY&psc=1&refRID=Z3N3YWQZ715NJRFJQF.

AR BLASTER Augmented Reality 360 Degree Portable Gaming VR Gun: Wireless Bluetooth Controller Toy Pistol for iOS Phone and Android Smartphones Mar. 24, 2020, 7 pages from url link: https://www.amazon.com/AR-BLASTER-Augmented-Reality-Portable/dp/B07769PM5L/ref=pd_rhf_eeolp_p_img_5?_encoding=UTF8&psc=1&refRID=34N965YW8TV4Y45CPECQ Mar. 24, 2020.

AR Game Gun Augmented Reality VR Gun Controller Joystick Gamepad for Video Game with Bluetooth Connecting iOS, Android Smart Phone iPad TV Box Shooting Game Mar. 24, 2020, 4 pages, from url link: https://www.amazon.com/Augmented-Controller-Joystick-Bluetooth-Connecting/dp/B06XT11RNW/ref=pd_di_sccai_1/144-3233725-9935121?_encoding=UTF8&pd_rd_i=B06XT11RNW&pd_rd_r=77ef4782-0163-4631-9e66-216524c9Ttca3&pd_rd_w=j0PaW&pd_rd_wg=54eYz&pf_rd_p=e532f109-986a-4c2d-85fc-16555146f6b4&pf_rd_r=W6V7AC8ZJX3.

AR Game Gun Augmented Reality VR Gun Controller Dec. 22, 2016, Amazon.com, site visited Apr. 12, 2020: https://www.amazon.com/dp/B06XT11NW/ref=cm_sw_r_tw_dp_U_x_3t5KEb9551CBD (Year: 2016).

AR Games Gun Augmented Reality Bluetooth Game Controller with Cell Phone Stand Holder Portable and Eco-Friendly AR Toy with 360° AR Games for iPhone Android (L Green) Mar. 24, 2020, 4 pages from url link: https://www.amazon.com/Augmented-Bluetooth-Controller-Portable-Eco-Friendly/dp/B0737BSQJ5/ref=pd_sbs_147_12?_encoding=UTF8&pd_rd_i=B0737BSQJ5&pd_rd_r=ffc5351e-f9ba-4c51-ad97-cb3097544121&pd_rd_w=mx37J&pd_rd_wg=F34Wd&pf_rd_p=7cd8f929-4345-4bf2-a554-7d7588b3dd5f&pf_rd_r=Z3N3YWQZ715NJRFJQFVY&psc=1.

AR Super Space Gun New AR Augmented Reality Technology Portable Bluetooth Game Gun for Smart Phones Sale VR Virtual Reality Online Game Mar. 24, 2020, 5 pages from url link: https://www.amazon.com/Augmented-Technology-Bluetooth-Smart-Thanksgiving/dp/B077G925W9/ref=pd_sbs_147_2/143-0087825-2430220?_encoding=UTF8&pd_rd_i=B077G925W9&pd_rd_r=4462b707-830f-498f-b30d-27ed0963Z928&pd_rd_w=CNqyh&pd_rd_wg=B0IL6&pf_rd_p=7cd8f929-4345-4bf2-a554-7d7588b3dd5f&pf_rd_r=V45C6T2VPTXZV3KR8J&psc=1&refRID=V45C6T.

AR Toy Game Gun Dec. 14, 2017, Amazon.com, site visited Apr. 12, 2020: https://www.amazon.com/dp/B072XR9R3F/ref=cm_sw_r_tw_dp_U_x_6MeLEbXC2FZ3J (Year: 2017).

AR Toy Gun with 38 Games Bluetooth 3D Virtual Reality VR Game Toys for Android iOS Phones Mar. 24, 2020 from url link: https://www.amazon.com/Bluetooth-Virtual-Reality-Android-Phones/dp/B07KBTT3BV/ref=pd_sbs_21_1/143-0087825-2430220?_encoding=UTF8&pd_rd_i=B07KBTT3BV&pd_rd_r=ac895c7c-cbe3-4b21-ae06-85475f759e04&pd_rd_w=pe6ak&pd_rd_wg=zGUn2&pf_rd_p=7cd8f929-4345-4bf2-a554-7d7588b3dd5f&pf_rd_r=9FYAG5XQRX6JSWANBSV4&psc=1&refRID=9FYAG5XQRX6JSWANBSV4 Mar. 24, 2020.

DoinMaster Bluetooth Gamepad Shooting AR Gun Joystick for Android iOS Phone iPhone iPad AR Game Controller with Motor Vibration Mar. 24, 2020, 7 pages from url link: https://www.amazon.com/DoinMaster-Bluetooth-Shooting-Controller-Vibration/dp/B07V78Z5D2/ref=pd_sbs_147_1/143-0087825-2430220?_encoding=UTF8&pd_rd_i=B07V78Z5D2&pd_rd_r=ffc5351e-f9ba-4c51-ad97-cb3097544121&pd_rd_w=mx37J&pd_rd_wg=F34Wd&pf_rd_p=7cd8f929-4345-4bf2-a554-7d7588b3dd5f&pf_rd_r=Z3N3YWQZ715NJRFJQFVY&psc=1&refRID=Z3N3YWQZ715NJ.

ELP AR Gun With Bluetooth Jul. 24, 2017, Amazon.com, site visited Apr. 12, 2020: https://www.amazon.com/dp/B073GP1MCF/ref=cm_sw_r_tw_dp_U_x_RafLEbX1MWKCR (Year: 2017).

IPega PG-9057 Phantom ShoX Blaster Bluetooth Gun Game Controller Wireless Bluetooth 3.0 With Stand for Android 3.2 IOS 7.0 Above Smartphones Tablet PC Win7 Win8 Win10 Computer Mar. 24, 2020, 4 pages from url link: https://www.amazon.com/iPega-PG-9057-Bluetooth-Controller-Smartphones/dp/B01MU7YA5I/ref=pd_sbs_147_15?_encoding=UTF8&pd_rd_i=B01MU7YA5I&pd_rd_r=ffc5351e-f9ba-4c51-ad97-cb3097544121&pd_rd_w=mx37J&pd_rd_wg=F34Wd&pf_rd_p=7cd8f929-4345-4bf2-a554-7d7588b3dd5f&pf_rd_r=Z3N3YWQZ715NJRFJQFVY&psc=1.

NDYD AR Game Gun Bluetooth Virtual Reality Game Gun May 29, 2019, Amazon UK, site visited Apr. 12, 2020: <https://www.amazon.co.uk/dp/B07SDB13RQ> (Year: 2019).

Nerf Mod: Rebelle Guardian ‘wooden’ Crossbow Apr. 26, 2016, DeviantArt, site visited Apr. 26, 2020: <https://www.deviantart.com/haazardous/art/Nerf-Mod-Rebelle-Guardian-wooden-Crossbow-605316092> (Year: 2016).

Prtukytt AR game pistol Nov. 18, 2019, Amazon UK, site visited Apr. 12, 2020: <https://www.amazon.co.uk/dp/B081N9PBF3> (Year: 2019).

Sharper Image Augmented Virtual Reality Toy Blaster, Complete Video Gaming System, Connects to Smartphone via Bluetooth, Use with Free AR App, Games for Teens and Kids, Lime Green/Blue/Orange Mar. 24, 2020, 7 pages from url link: https://www.amazon.com/Sharper-Image-Augmented-Smartphone-Bluetooth/dp/B07BRFRPMY/ref=pd_sbs_21_8?_encoding=UTF8&pd_rd_i=B07BRFRPMY&pd_rd_r=64e669ad-5a4f-49ba-aece-4e60701b72b9&pd_rd_w=Iwoi2&pd_rd_wg=kO9MI&pf_rd_p=7cd8f929-4345-4bf2-a554-7d7588b3dd5f&pf_rd_r=268ESN8N75.

Sharper Image Virtual Reality Interactive Blaster Mar. 24, 2020, 5 pages from url link: https://www.amazon.com/Sharper-Image-Virtual-Reality-Blaster/dp/B07KFM4X4C/ref=pd_sbs_147_3/143-0087825-2430220?_encoding=UTF8&pd_rd_i=B07KFM4X4C&pd_rd_r=ffc5351e-f9ba-4c51-ad97-cb3097544121&pd_rd_w=mx37J&pd_rd_wg=F34Wd&pf_rd_p=7cd8f929-4345-4bf2-a554-7d7588b3dd5f&pf_rd_r=Z3N3YWQZ715NJRFJQFVY&psc=1&refRID=Z3N3YWQZ715NJRFJQFVY Mar. 24, 2020.

Wasteland Hand Cannon—Detail Mar. 1, 2015, DeviantArt, site visited Apr. 26, 2020: <https://www.deviantart.com/jonyman123/art/Wasteland-Hand-Cannon-Detail-517287017> (Year: 2015).

* cited by examiner

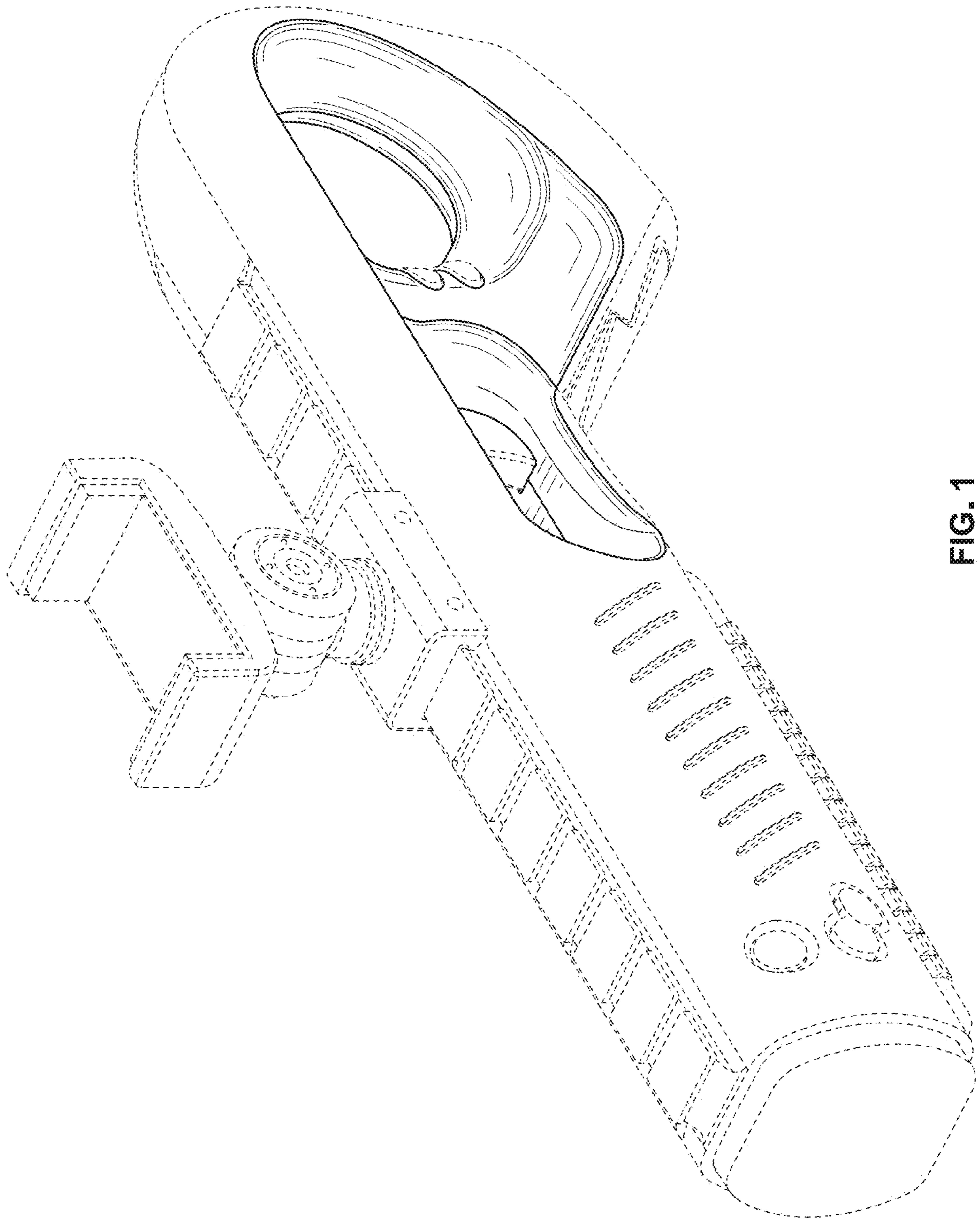


FIG. 1

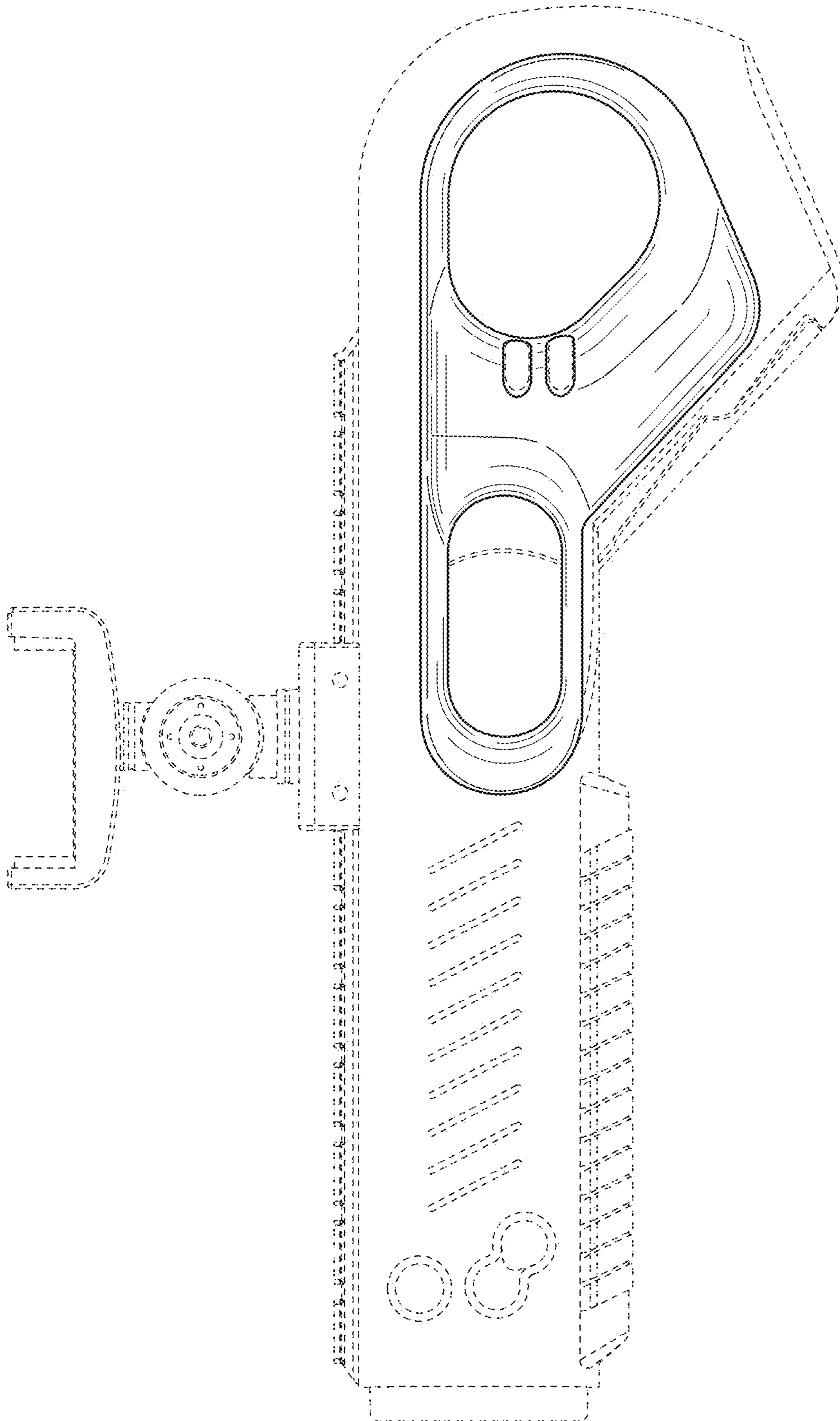


FIG. 2

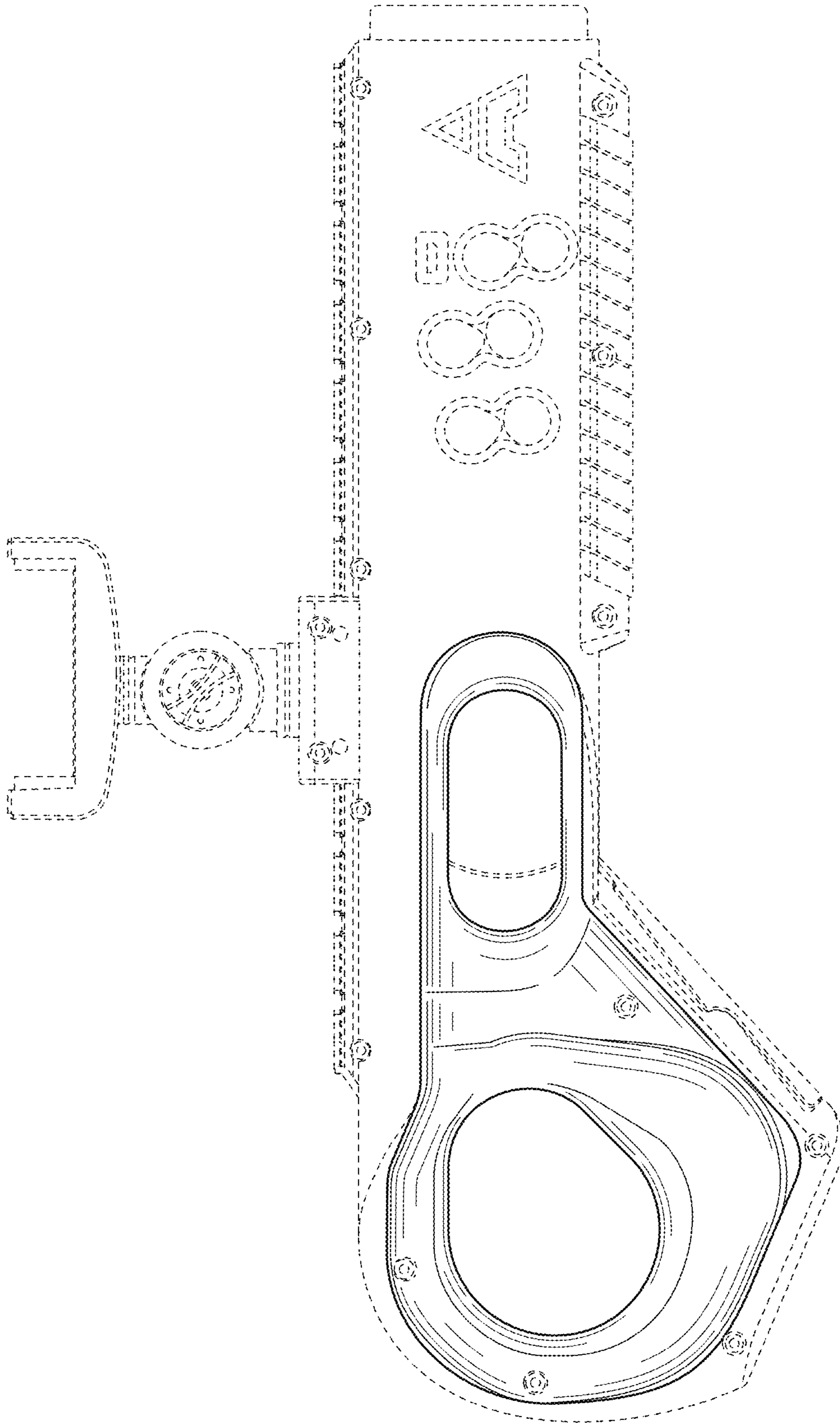


FIG. 3

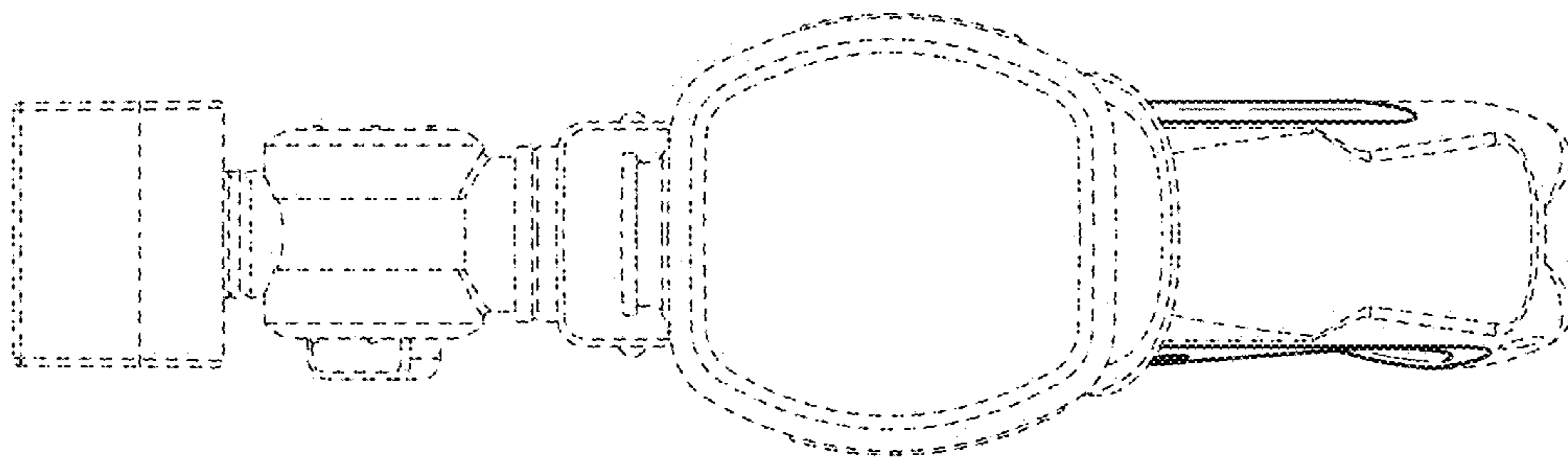


FIG. 4

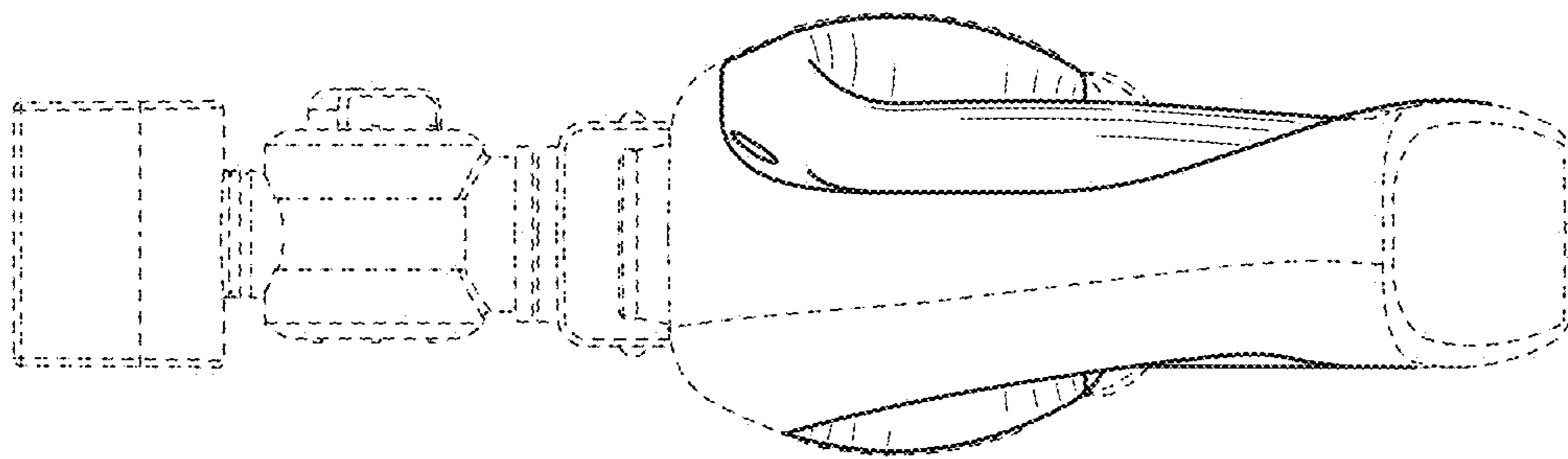


FIG. 5

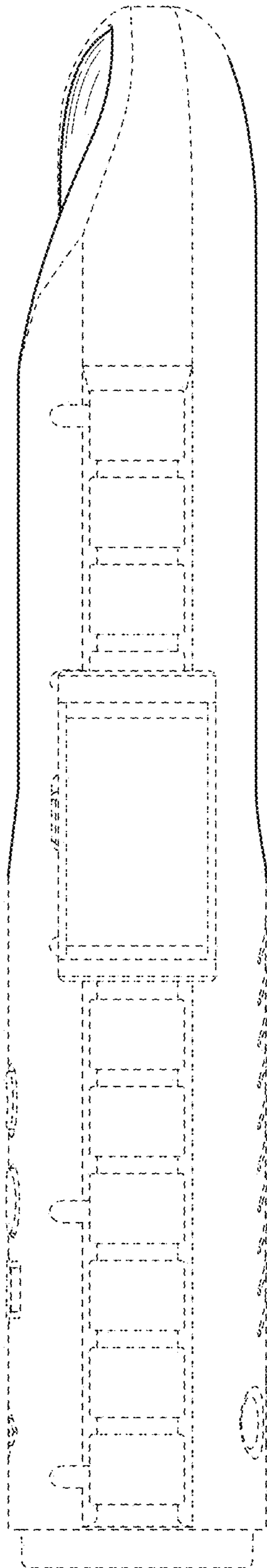


FIG. 6

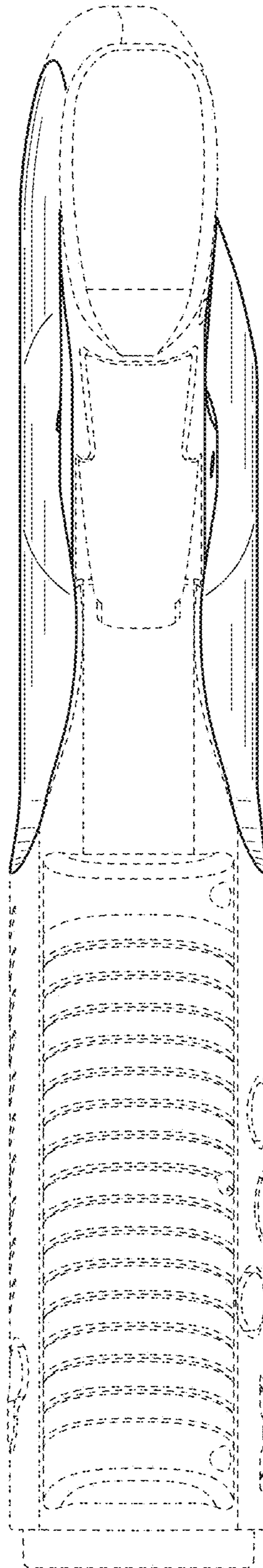


FIG. 7

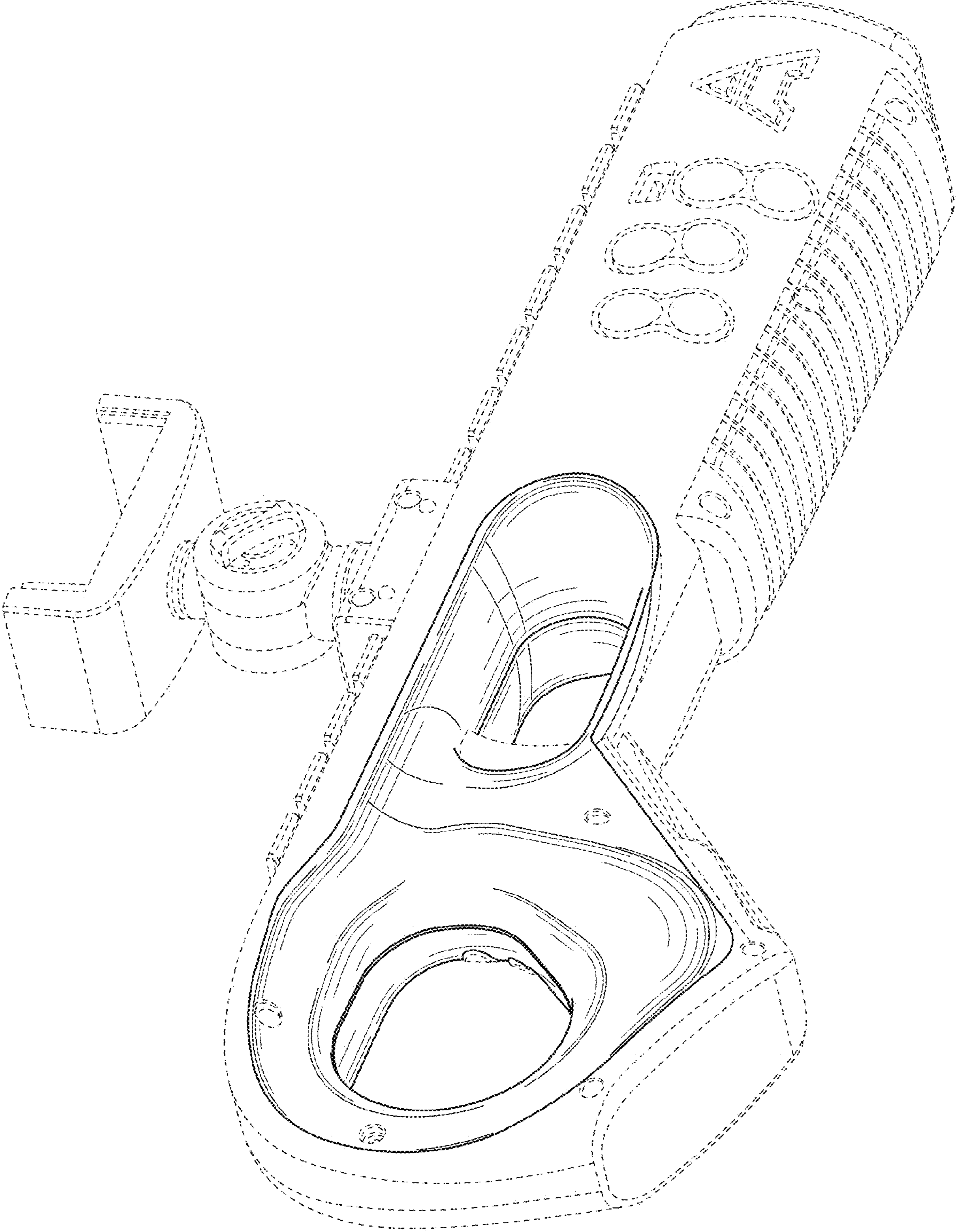


FIG. 8