



US00D905168S

(12) **United States Design Patent** (10) **Patent No.:** **US D905,168 S**
Chatterjee et al. (45) **Date of Patent:** **** Dec. 15, 2020**

(54) **GAME CONTROLLER**
(71) Applicant: **Microsoft Corporation**, Redmond, WA (US)
(72) Inventors: **Monique Chatterjee**, Seattle, WA (US);
Matthew C. Harvey, Seattle, WA (US);
Austin R. Porter, Salem, MA (US);
Richard T. Hanks, Arlington, MA (US)

7,762,553 B2 * 7/2010 Harris A63F 13/02
273/148 B
D708,615 S * 7/2014 Delrue D14/401
D709,499 S 7/2014 Morris et al.
D709,882 S 7/2014 Morris et al.
D715,865 S * 10/2014 Morris D21/333
D765,788 S * 9/2016 Kujawski D21/333
D765,790 S * 9/2016 Chatterjee D21/333
D765,791 S * 9/2016 Chatterjee D21/333
D765,792 S * 9/2016 Chatterjee D21/333

(Continued)

(73) Assignee: **Microsoft Corporation**, Redmond, WA (US)

(**) Term: **15 Years**

(21) Appl. No.: **29/704,051**

(22) Filed: **Aug. 30, 2019**

(51) **LOC (12) Cl.** **21-01**

(52) **U.S. Cl.**
USPC **D21/333**

(58) **Field of Classification Search**
USPC D21/324–29, 330, 331, 333, 341, 342,
D21/349, 386; D14/174, 177, 190, 203.5,
D14/218, 250, 299, 322, 341, 345, 346,
D14/353, 354, 356, 374, 375, 376,
D14/387–401, 421, 432, 440, 443, 463,
D14/474, 483, 493, 496, 511; D22/100,
D22/103–105; D13/162, 162.1, 168;
D10/78, 98, 103
CPC A45C 13/00; A45C 13/001; A45C 13/002;
A63F 13/10; A63F 13/98; A63F 13/24;
A63F 9/0291; A63F 13/06; G06F 3/0338;
G06F 3/014; G06F 3/0346; G06T 7/246
See application file for complete search history.

(56) **References Cited**

U.S. PATENT DOCUMENTS

D453,932 S * 2/2002 Han D14/401
D581,422 S 11/2008 Hayes et al.

OTHER PUBLICATIONS

“Cyberpunk 2077 xbox Controller”. posted Apr. 25, 2020 [Online],[Retrieved Jul. 15, 2020], retrieved from internet:https://www.youtube.com/watch?v=RQXDbLjJl5w https://www.youtube.com/watch?v=RQXDbLjJl5w.*

Primary Examiner — Sandra Snapp

Assistant Examiner — Mehri Bajoul

(74) *Attorney, Agent, or Firm* — Banner & Witcoff, Ltd.

(57) **CLAIM**

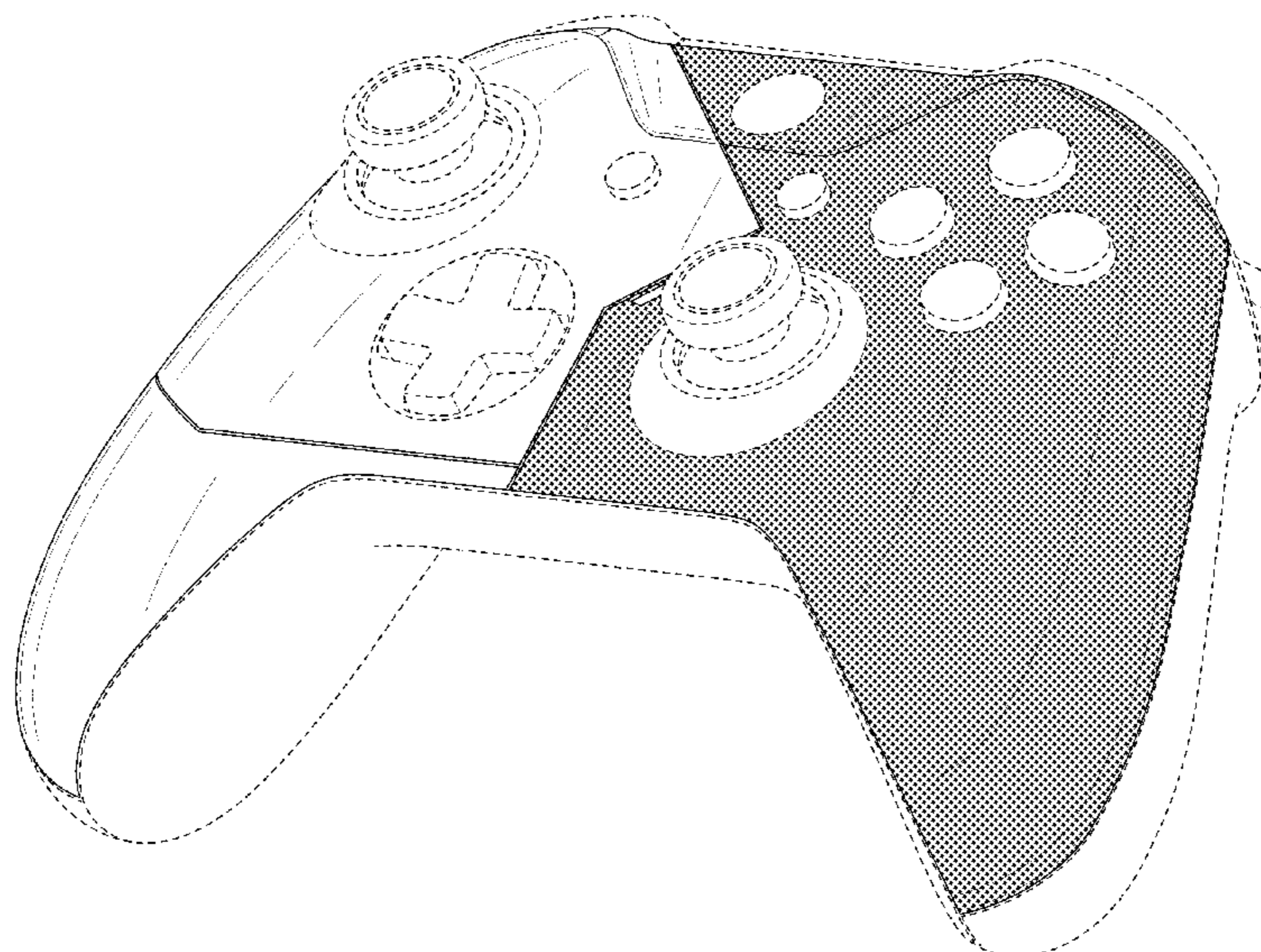
The ornamental design for a game controller, as shown and described.

DESCRIPTION

FIG. 1 is a front perspective view of a game controller showing our new design;
FIG. 2 is a top front perspective view thereof;
FIG. 3 is a front view thereof;
FIG. 4 is a top view thereof;
FIG. 5 is a bottom view thereof;
FIG. 6 is a left side view thereof;
FIG. 7 is a right side view thereof; and,
FIG. 8 is a rear view thereof.

The broken lines in the drawings depict portions of the game controller that form no part of the claimed design. The difference in shading indicates a contrast of appearance and does not depict any particular color, texture, or material.

1 Claim, 8 Drawing Sheets



(56)

References Cited

U.S. PATENT DOCUMENTS

D765,793	S	*	9/2016	Chatterjee	D21/333
D766,376	S	*	9/2016	Kujawski	D21/333
D772,987	S	*	11/2016	Kujawski	D21/333
D777,843	S	*	1/2017	Kujawski	D21/333
D778,990	S	*	2/2017	Kujawski	D21/333
D784,988	S	*	4/2017	Kujawski	D14/401
D784,989	S	*	4/2017	Kujawski	D14/401
D786,251	S		5/2017	Chatterjee et al.		
D788,853	S		6/2017	Chatterjee et al.		
D794,025	S	*	8/2017	Kujawski	D14/401
D794,129	S		8/2017	Kujawski et al.		
D794,717	S	*	8/2017	Kujawski	D21/333
D795,350	S		8/2017	Chatterjee et al.		
D795,351	S		8/2017	Chatterjee et al.		
D795,960	S		8/2017	Chatterjee et al.		
D795,961	S		8/2017	Chatterjee et al.		
D798,954	S		10/2017	Chatterjee et al.		
D799,599	S		10/2017	Kujawski et al.		
D799,600	S		10/2017	Chatterjee et al.		
D816,170	S	*	4/2018	Chatterjee	D21/333
D823,945	S	*	7/2018	Falc	D21/333
D825,005	S	*	8/2018	Chatterjee	D21/333
D847,265	S	*	4/2019	Chatterjee	D21/333
D847,903	S	*	5/2019	Chatterjee	D21/333
D847,904	S		5/2019	Chatterjee et al.		
D855,703	S		8/2019	Chatterjee et al.		
D870,816	S	*	12/2019	Morris	D21/333
D872,184	S	*	1/2020	Chatterjee	D21/333
D872,185	S	*	1/2020	Chatterjee	D21/333

* cited by examiner

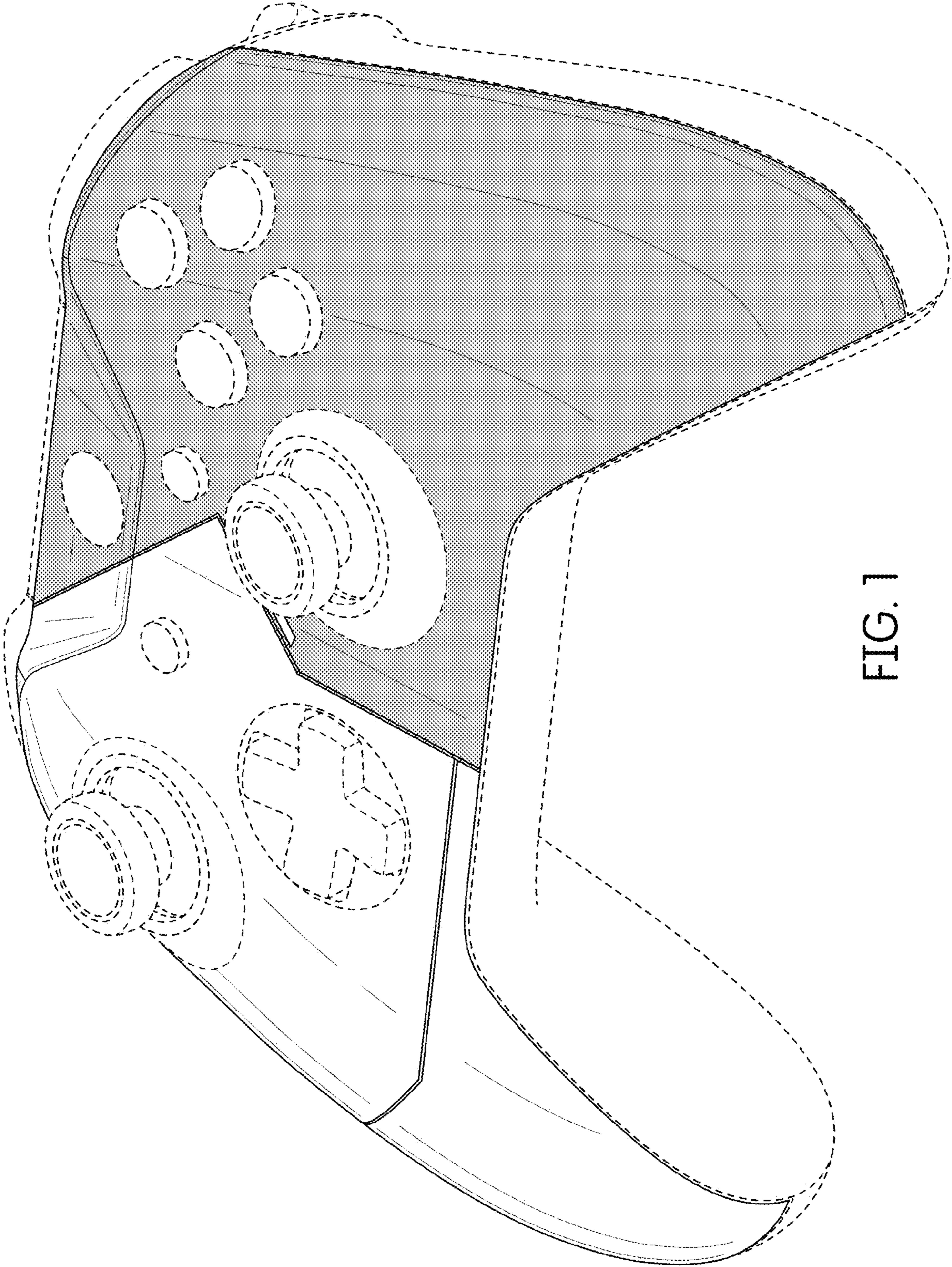


FIG. 1

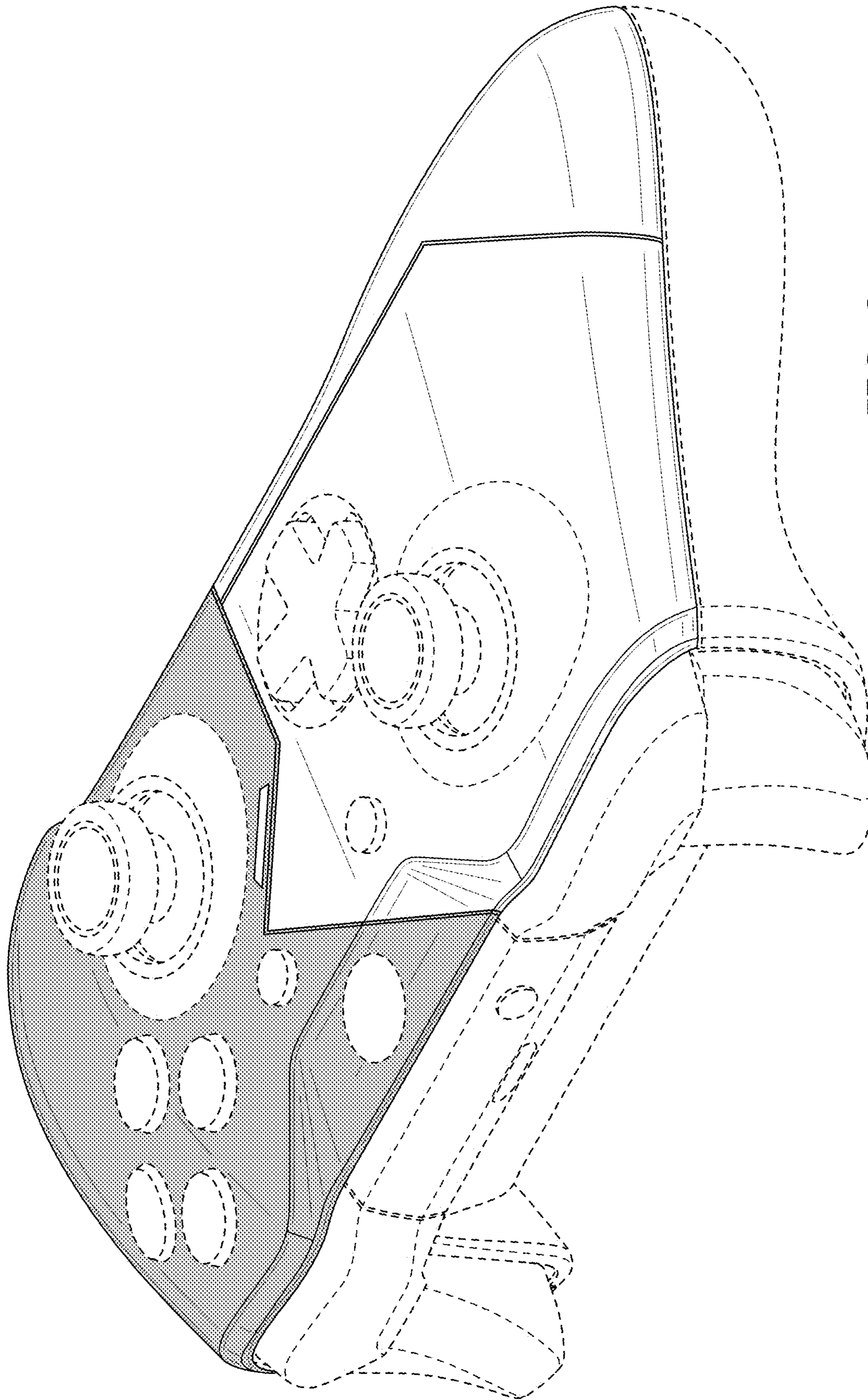


FIG. 2

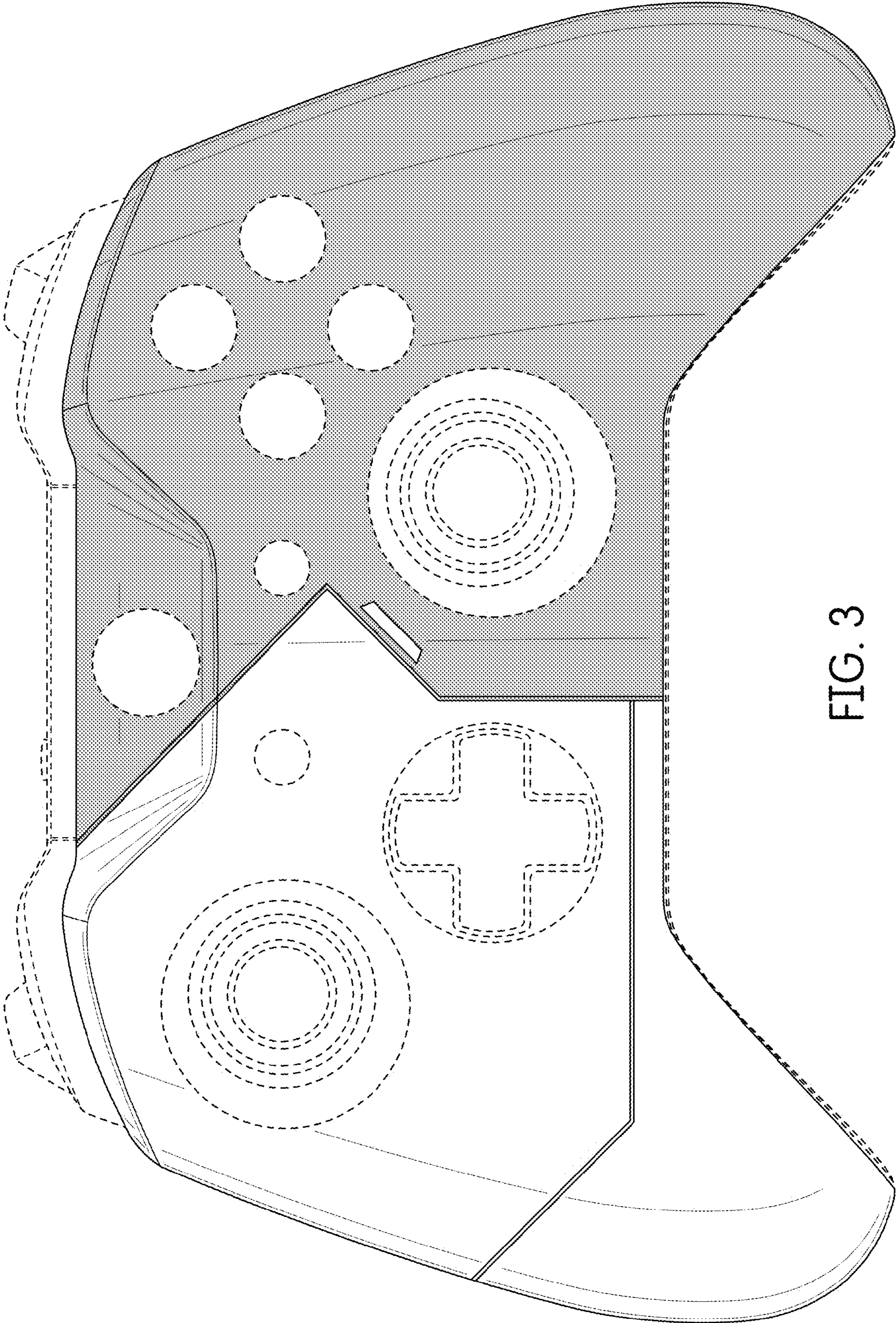


FIG. 3

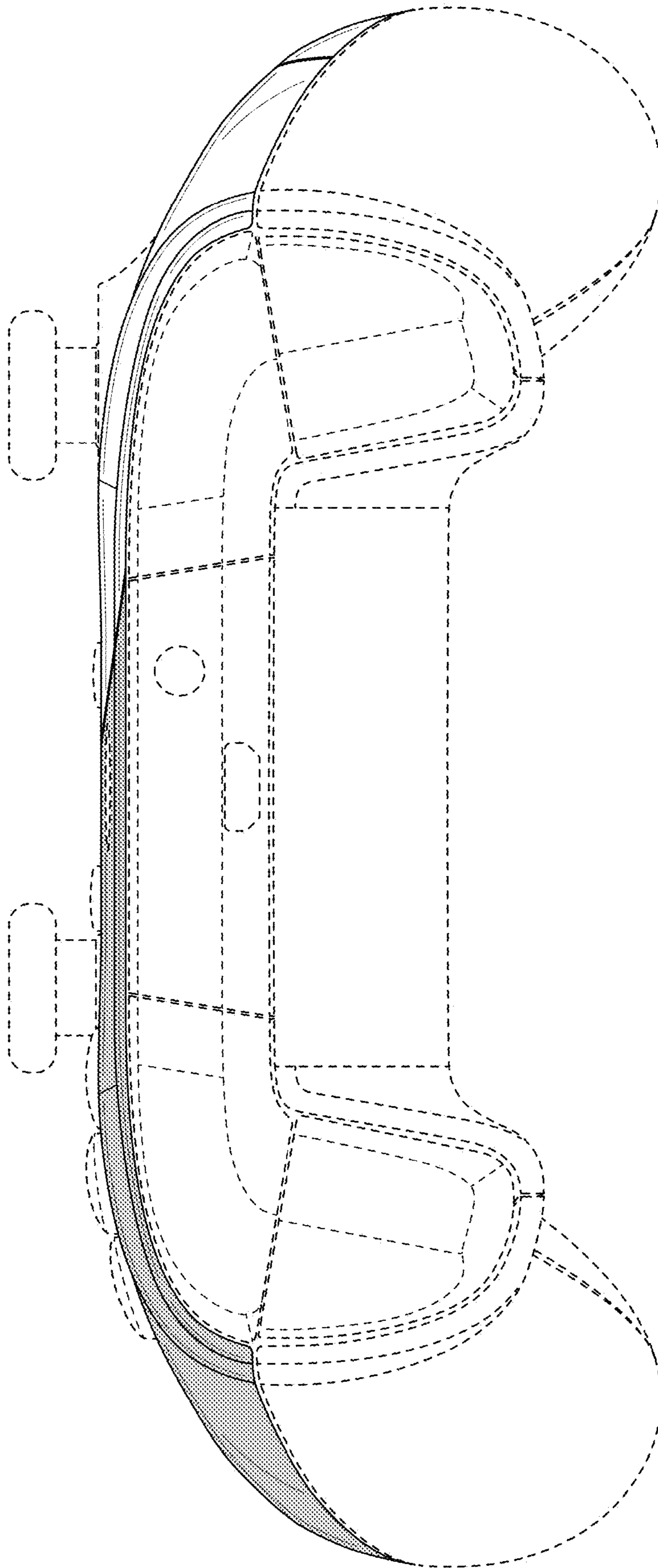


FIG. 4

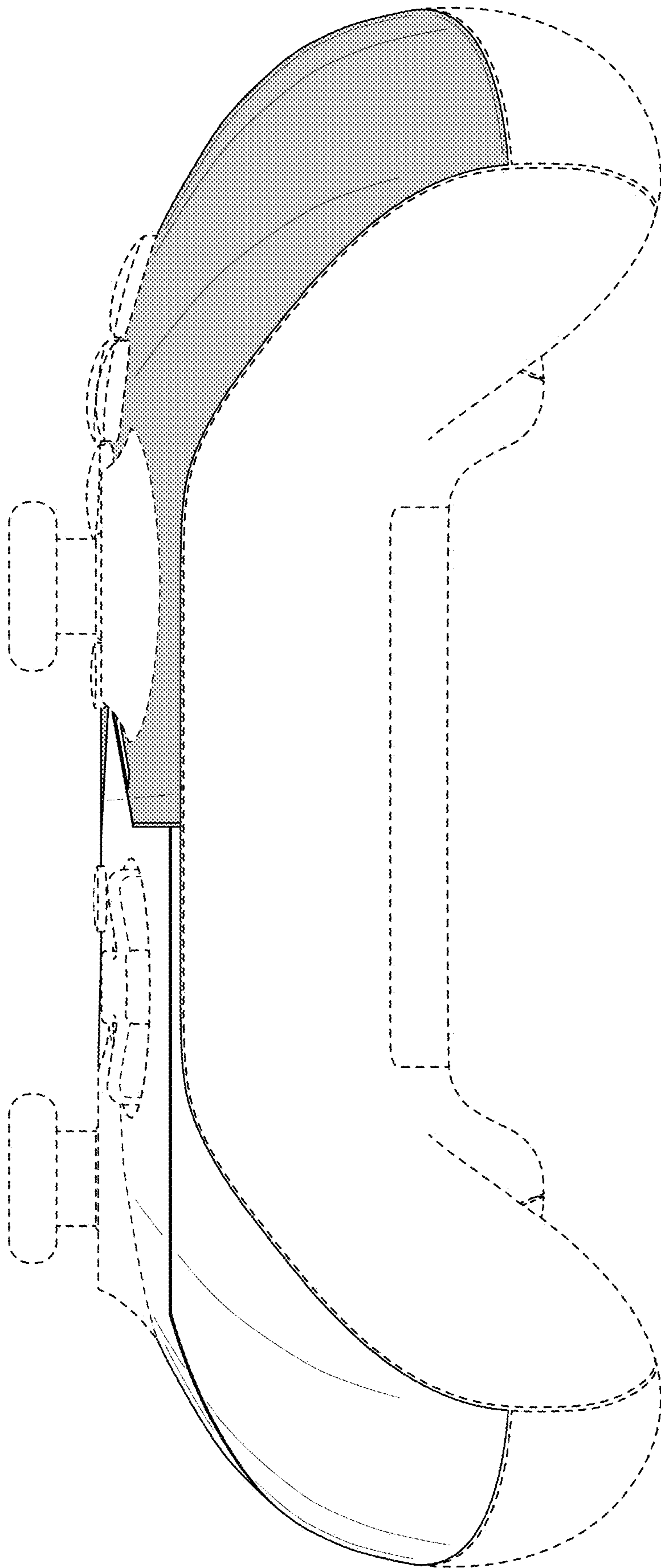


FIG. 5

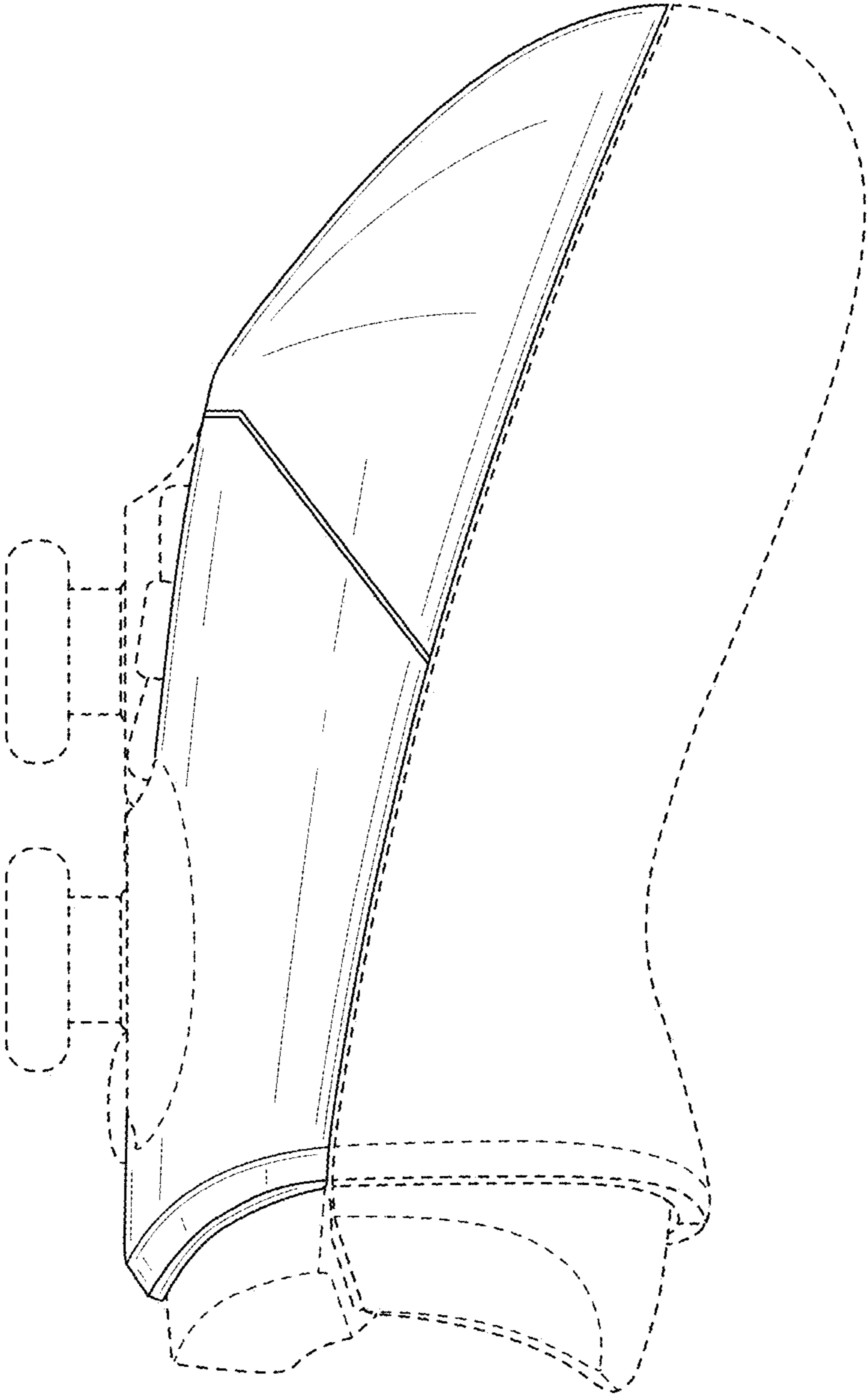


FIG. 6

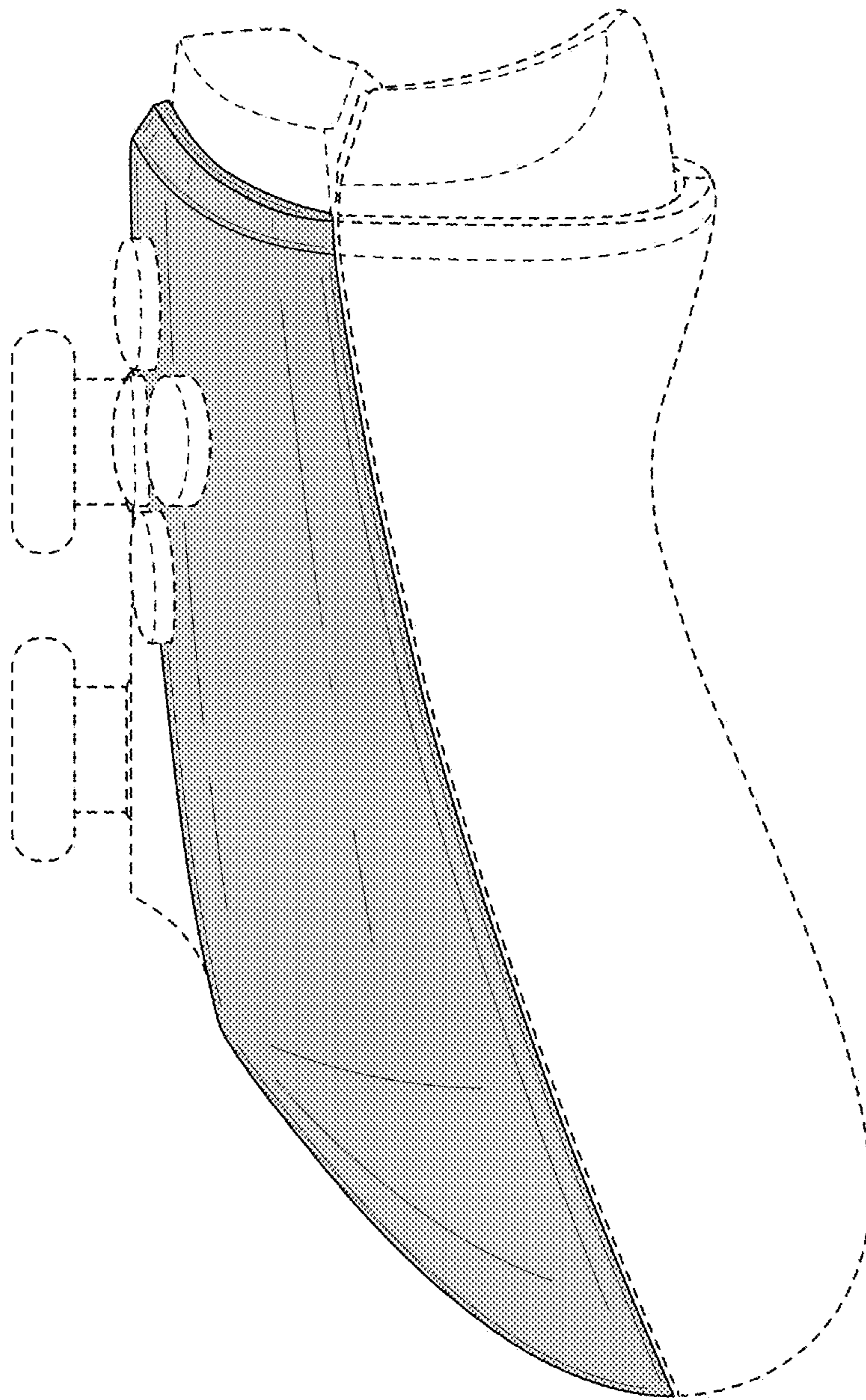


FIG. 7

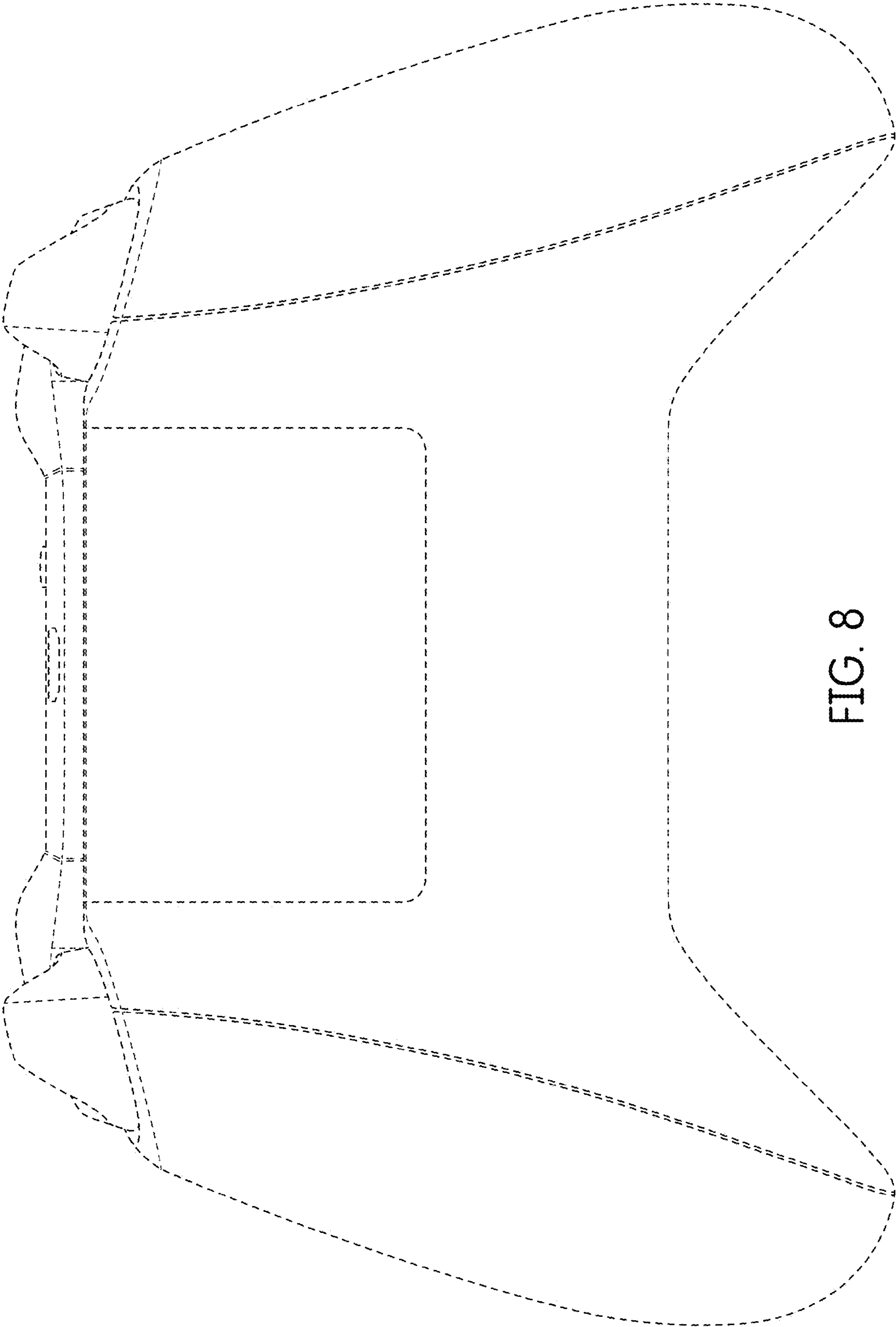


FIG. 8