



US00D905167S

(12) **United States Design Patent** (10) **Patent No.:** **US D905,167 S**
Adams et al. (45) **Date of Patent:** **** Dec. 15, 2020**

- (54) **GAME CONTROLLER**
- (71) Applicant: **Microsoft Corporation**, Redmond, WA (US)
- (72) Inventors: **Aditha May Adams**, Seattle, WA (US);
Benjamin Boesel, Seattle, WA (US);
Christopher H. Kujawski, Seattle, WA (US)
- (73) Assignee: **Microsoft Corporation**, Redmond, WA (US)
- (**) Term: **15 Years**
- (21) Appl. No.: **29/693,263**
- (22) Filed: **May 31, 2019**
- (51) **LOC (12) Cl.** **21-01**
- (52) **U.S. Cl.**
USPC **D21/333**
- (58) **Field of Classification Search**
USPC D21/324–29, 330, 331, 333, 341, 342,
D21/349, 386; D14/174, 177, 190, 203.5,
D14/218, 250, 299, 322, 341, 345, 346,
D14/353, 354, 356, 374, 375, 376,
D14/387–401, 421, 432, 440, 443, 463,
D14/474, 483, 493, 496, 511; D22/100,
D22/103–105; D13/162, 162.1, 168;
D10/78, 98, 103
CPC A45C 13/00; A45C 13/001; A45C 13/002;
A63F 13/10; A63F 13/98; A63F 13/24;
A63F 9/0291; A63F 13/06; G06F 3/0338;
G06F 3/014; G06F 3/0346; G06T 7/246
See application file for complete search history.

(56) **References Cited**

U.S. PATENT DOCUMENTS

- D638,841 S * 5/2011 Musick, Jr. D14/412
- D780,807 S * 3/2017 Chen D14/496
- D797,743 S * 9/2017 Awad D14/412
- D804,580 S * 12/2017 Britt D21/333

- D806,173 S * 12/2017 Britt D21/333
- D815,697 S * 4/2018 Chen D21/333
- D817,300 S * 5/2018 Bristol D14/203.3
- D844,608 S * 4/2019 Chen D14/388
- D844,609 S * 4/2019 Bristol D14/388
- D849,743 S * 5/2019 Chen D14/401
- D851,086 S * 6/2019 Chen D14/401
- D863,446 S * 10/2019 Bristol D21/333
- D872,087 S * 1/2020 Lo D14/388
- D883,283 S * 5/2020 Chen D14/388

(Continued)

OTHER PUBLICATIONS

“Oculus VR Gaming Headset”, posted May 21, 2019 [Online], [retrieved Jul. 13, 2020]. Retrieved from Internet, https://www.amazon.ca/product-reviews/B07PTMKYS7/ref=cm_cr_arp_d_viewopt_srt?ie=UTF8&filterByStar=five_star&reviewerType=all_reviews&pageNumber=1&sortBy=helpful#reviews-filter-bar.*

(Continued)

Primary Examiner — Sandra Snapp
Assistant Examiner — Mehri Bajoul
(74) *Attorney, Agent, or Firm* — Banner & Witcoff, Ltd.

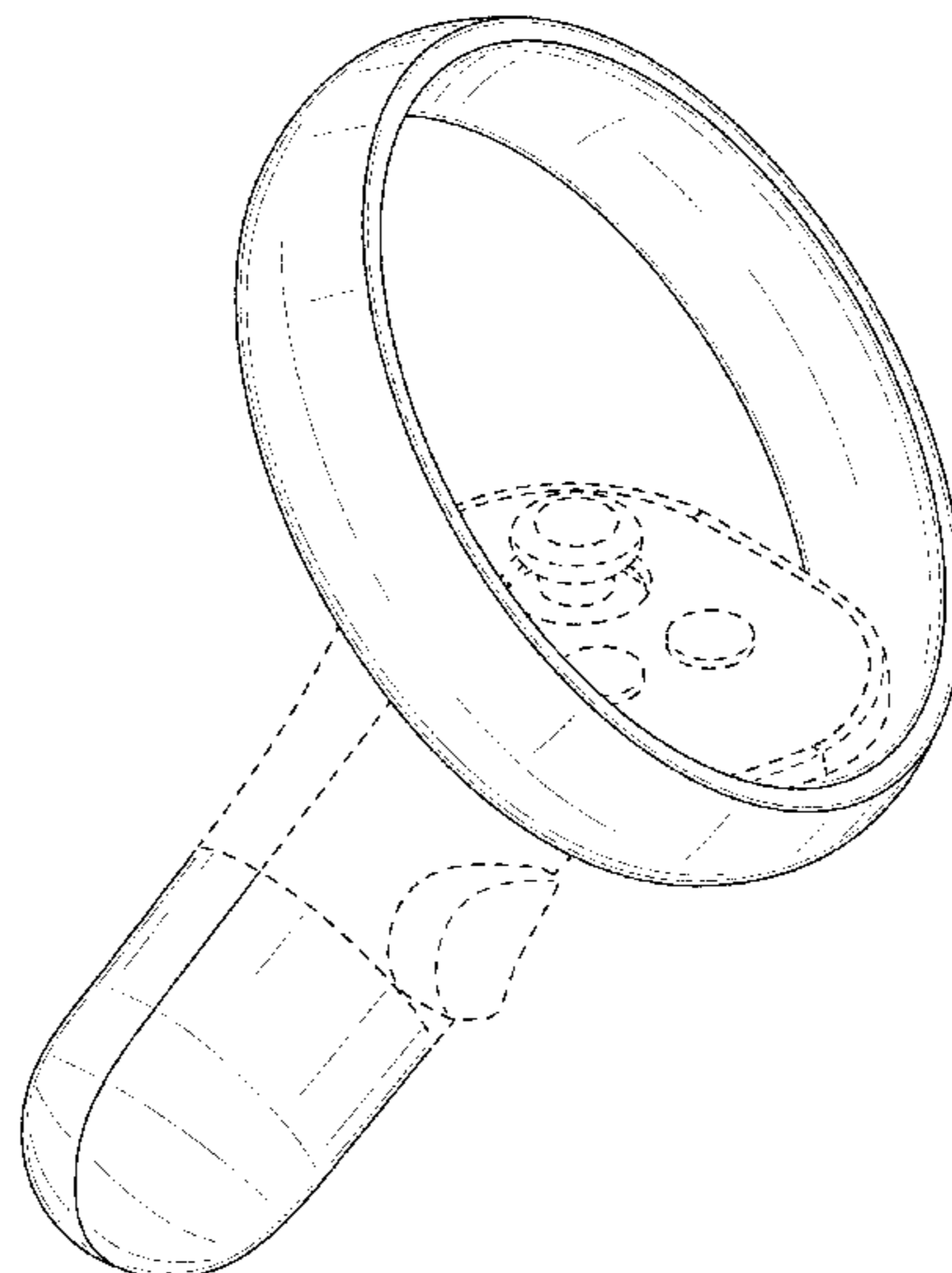
(57) **CLAIM**

The ornamental design for a game controller, as shown and described.

DESCRIPTION

FIG. 1 is a front perspective view of a game controller showing our new design;
FIG. 2 is a rear perspective view thereof;
FIG. 3 is a bottom view thereof;
FIG. 4 is a top view thereof;
FIG. 5 is a right side view thereof;
FIG. 6 is a left side view thereof;
FIG. 7 is a front view thereof; and,
FIG. 8 is a rear view thereof.
The broken lines, in FIGS. 1-8, depict portions of the “game controller” that form no part of the claimed design.

1 Claim, 8 Drawing Sheets



(56)

References Cited

U.S. PATENT DOCUMENTS

D885,386 S * 5/2020 Wei D14/388
D888,056 S * 6/2020 Wei D14/388

OTHER PUBLICATIONS

“Oculus Quest”, posted Jun. 25, 2019 [Online], [retrieved Jul. 13, 2020]. Retrieved from Internet, https://www.youtube.com/watch?v=rWhUZjP5qNQ&list=RDCMUCFfcqe7b9Yidk2ZiAG8UIGA&start_radio=1&t=0.*

“Oculus Exclusive Game”, posted Jun. 26, 2019 [Online], [retrieved Jul. 13, 2020]. Retrieved from Internet, <https://www.roadtovr.com/valve-index-revive-oculus-rift-exclusive-games-content/>.*

“Oculus Quest Tips and Tricks”, posted Jul. 10, 2019 [Online], [retrieved Jul. 13, 2020]. Retrieved from Internet, https://www.youtube.com/watch?v=R3tJ3MfkU_g.*

* cited by examiner

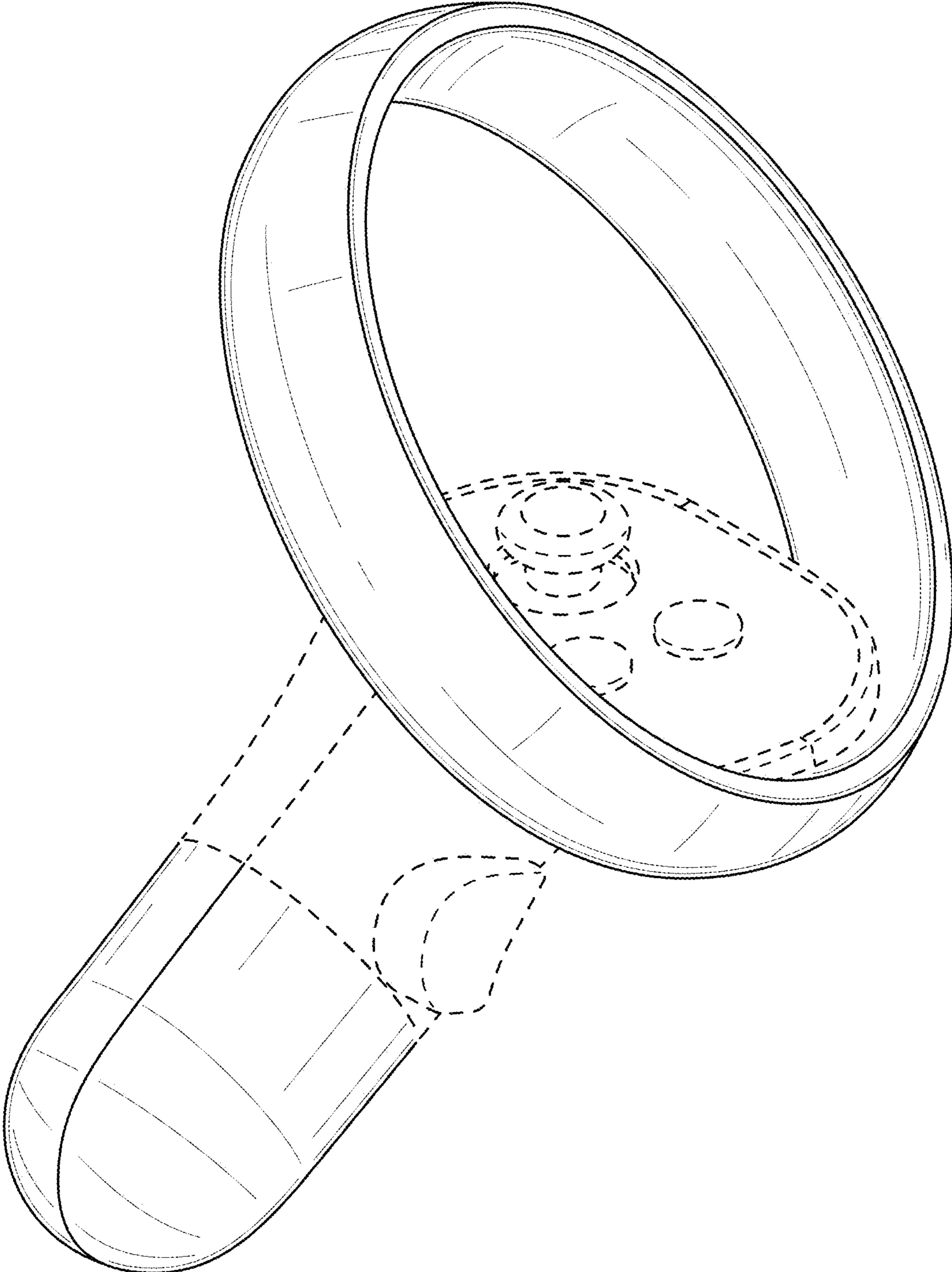


FIG. 1

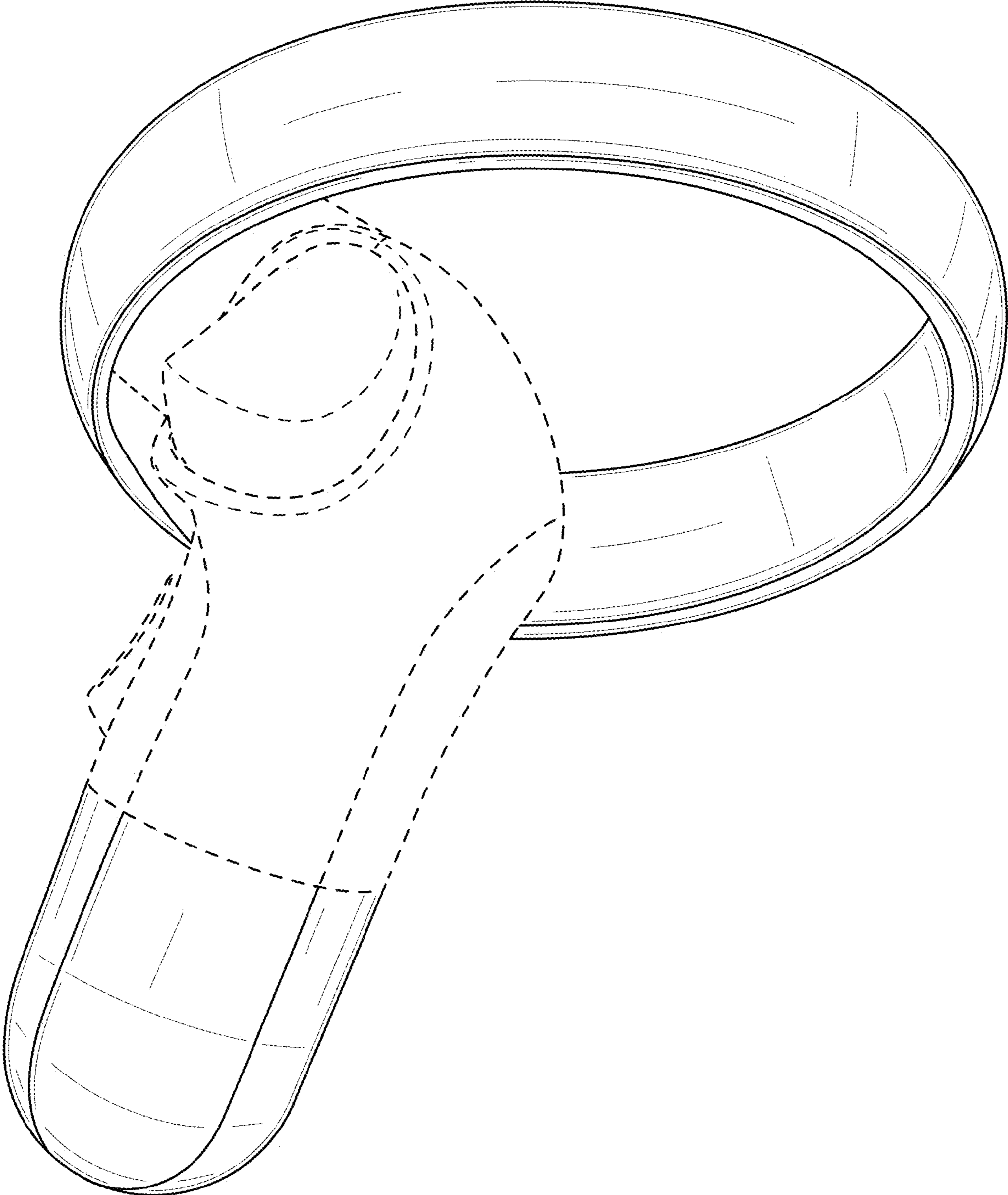


FIG. 2

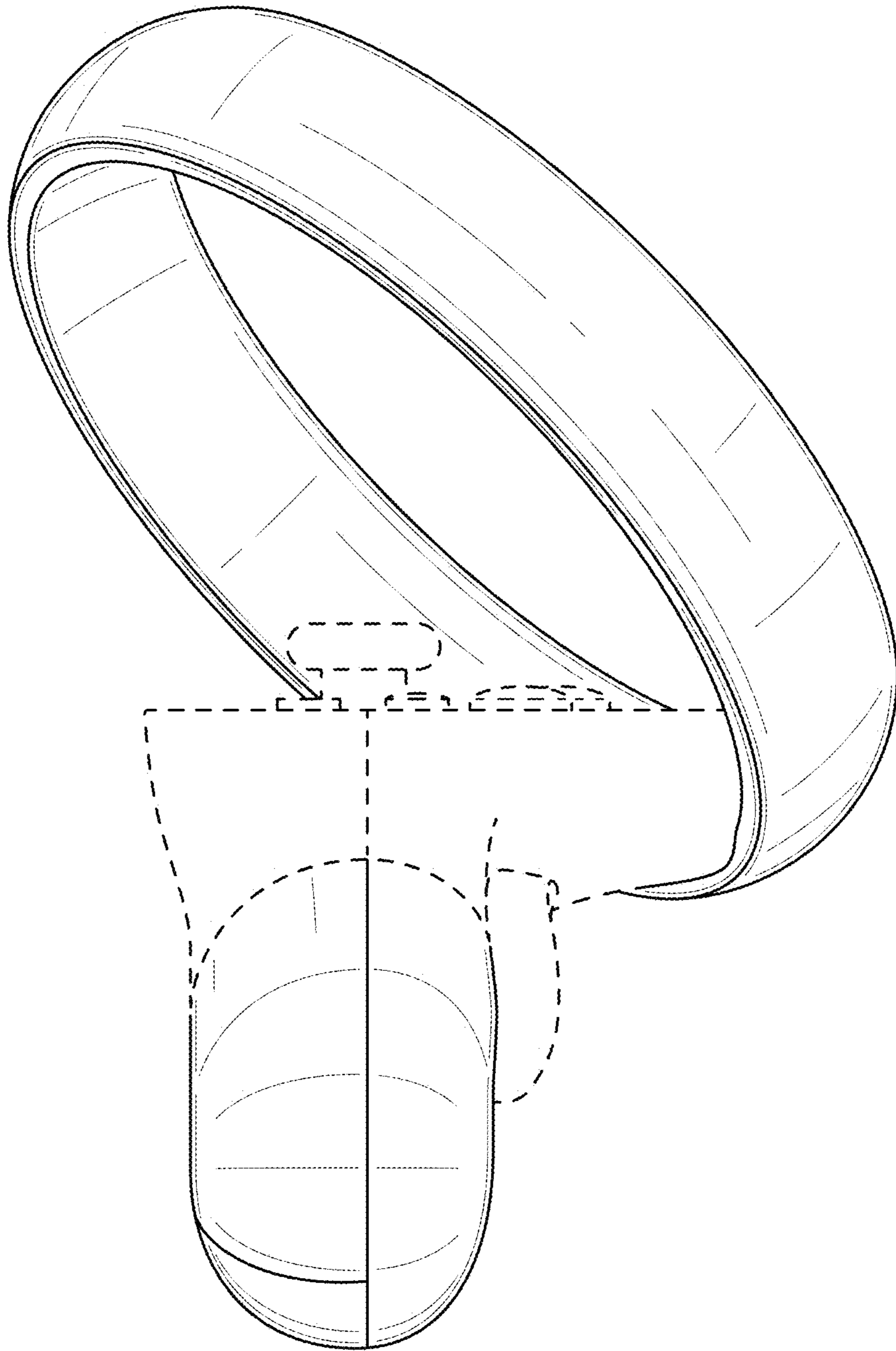


FIG. 3

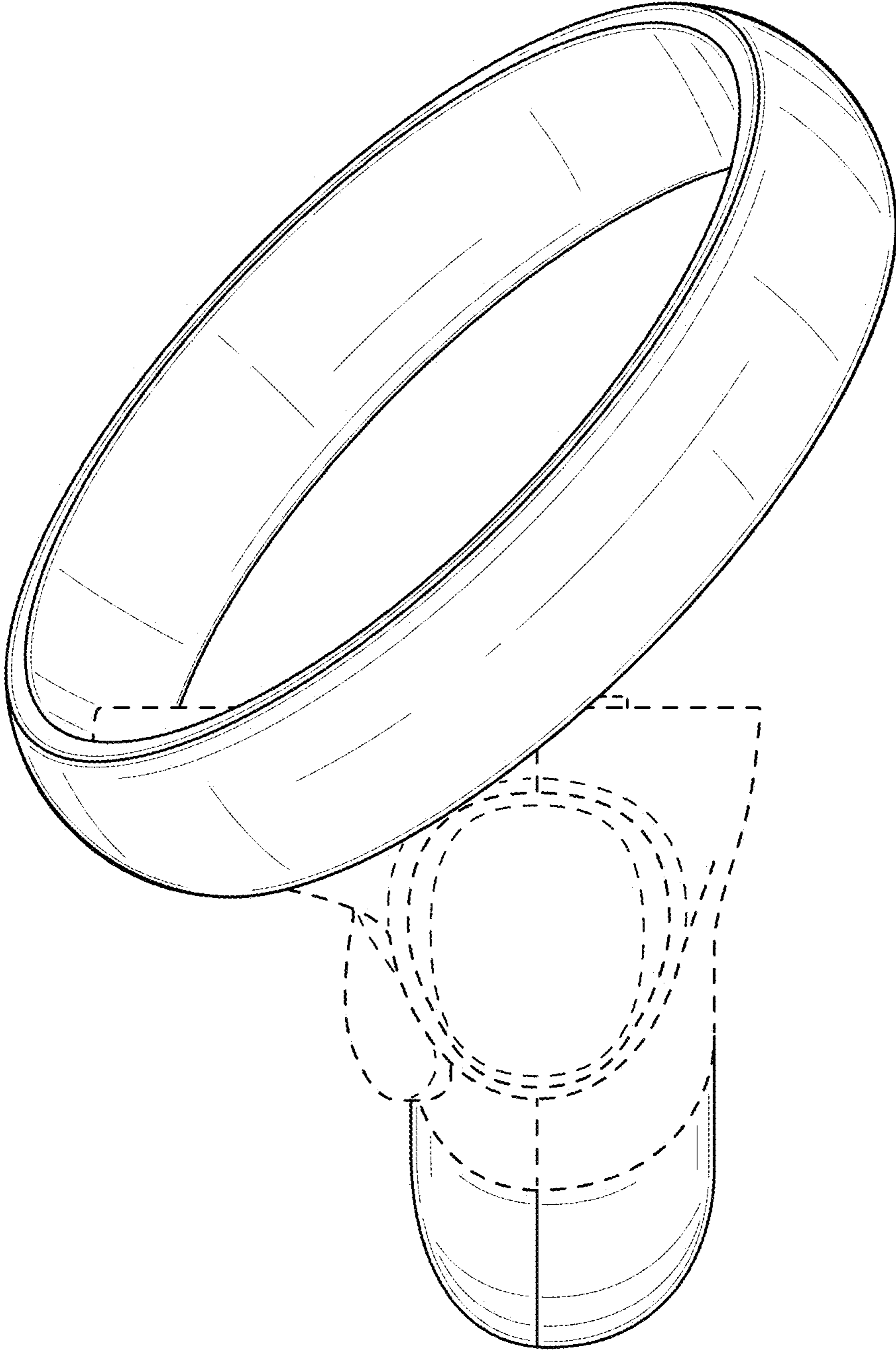


FIG. 4

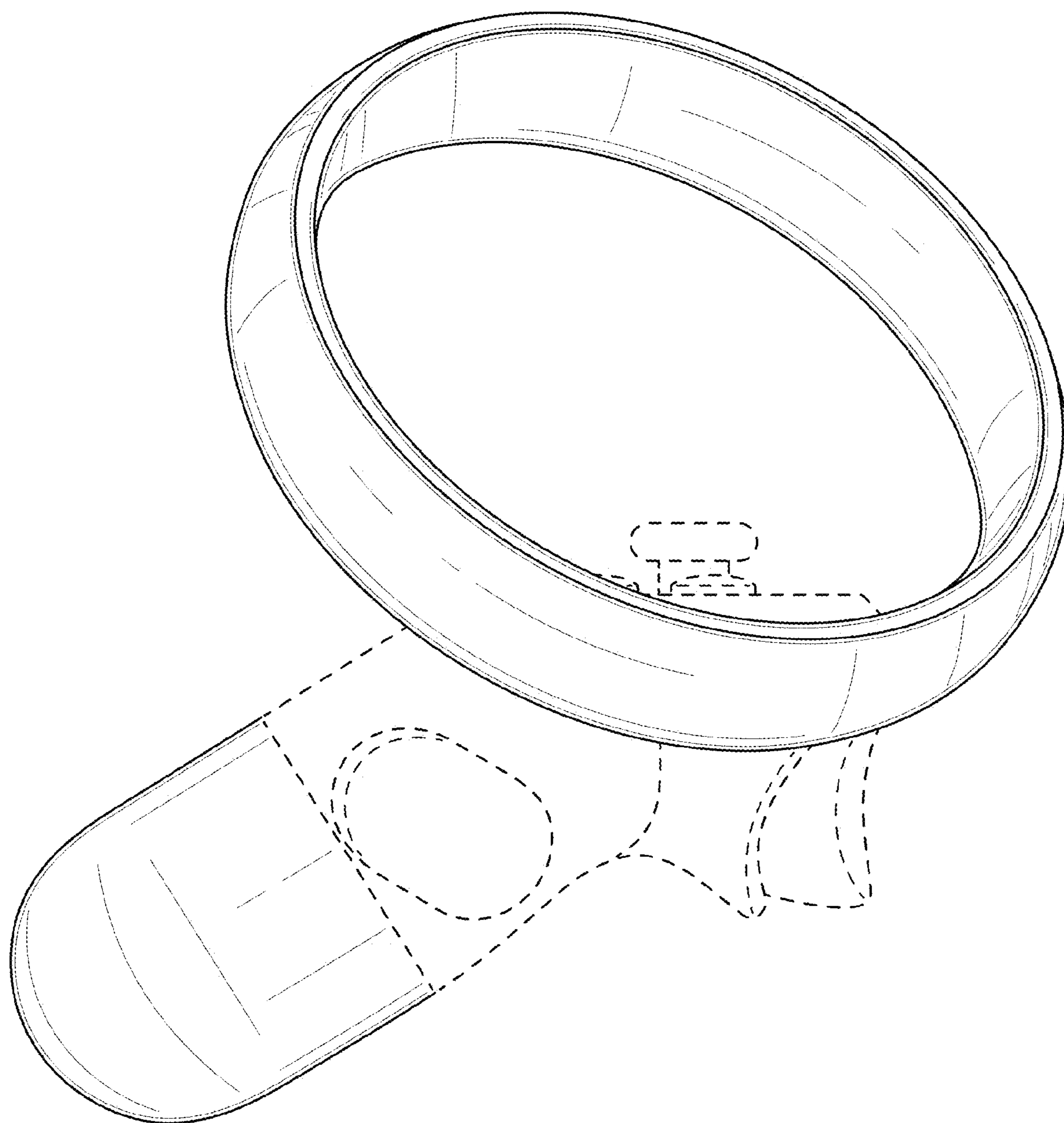


FIG. 5

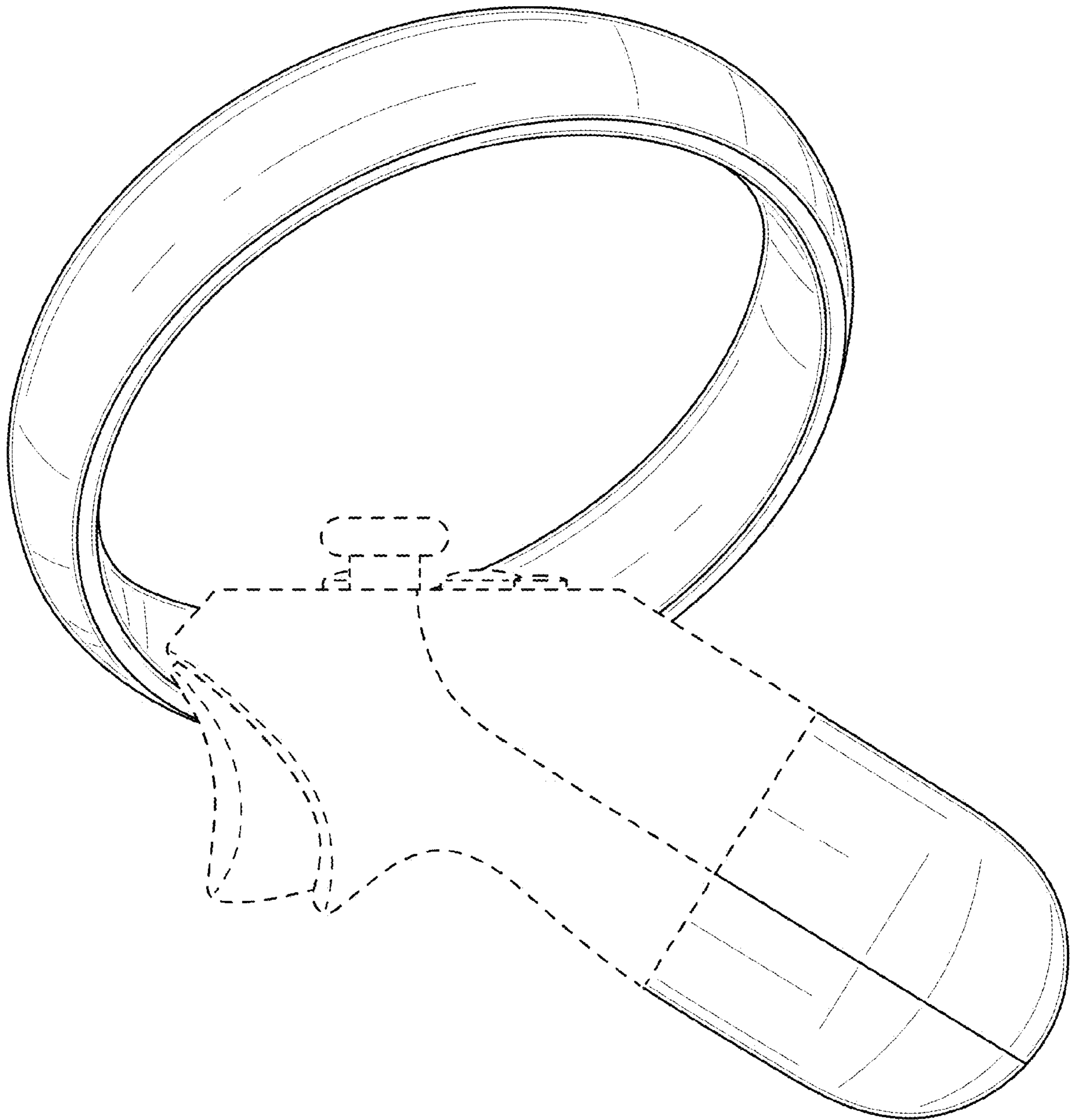


FIG. 6

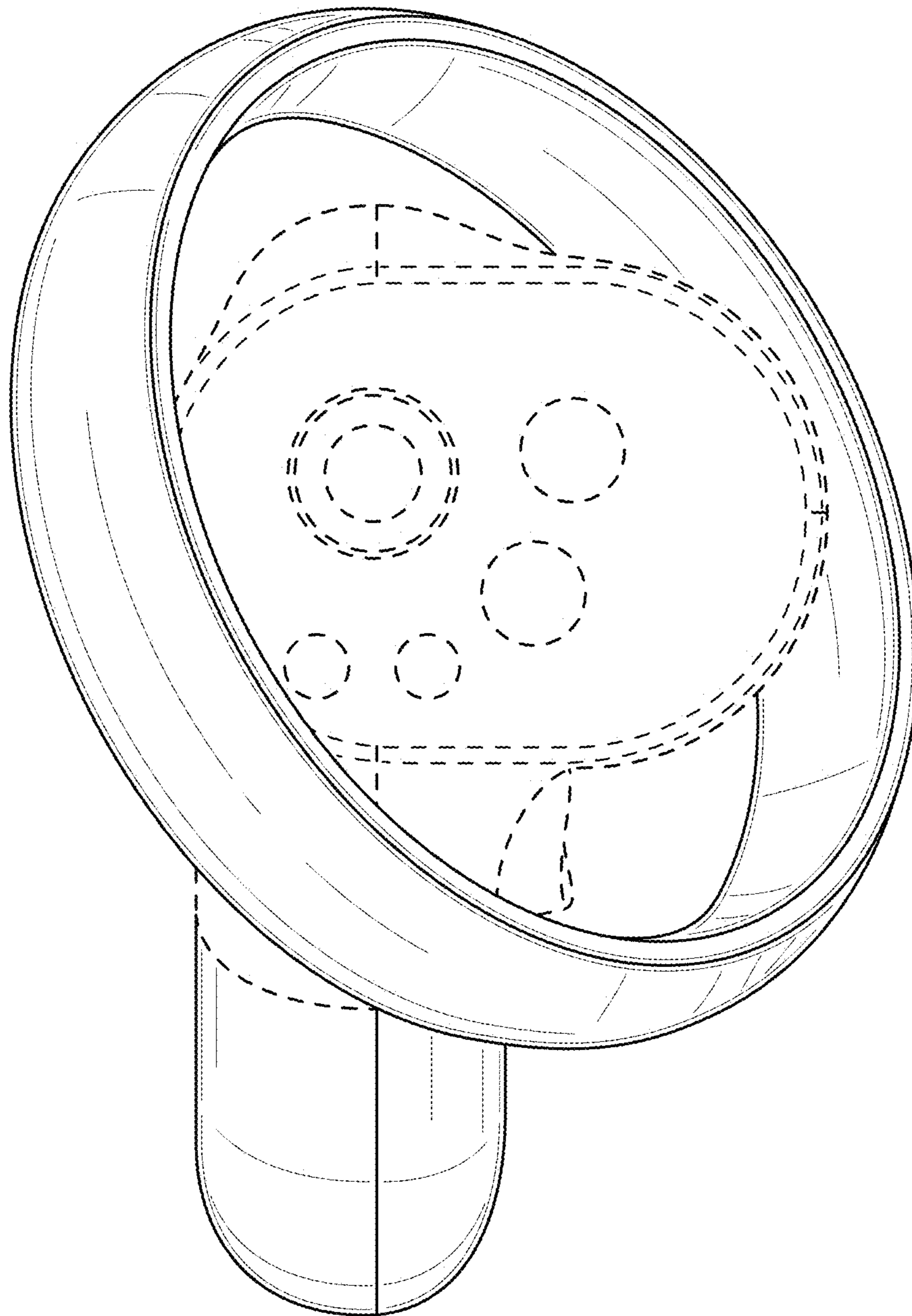


FIG. 7

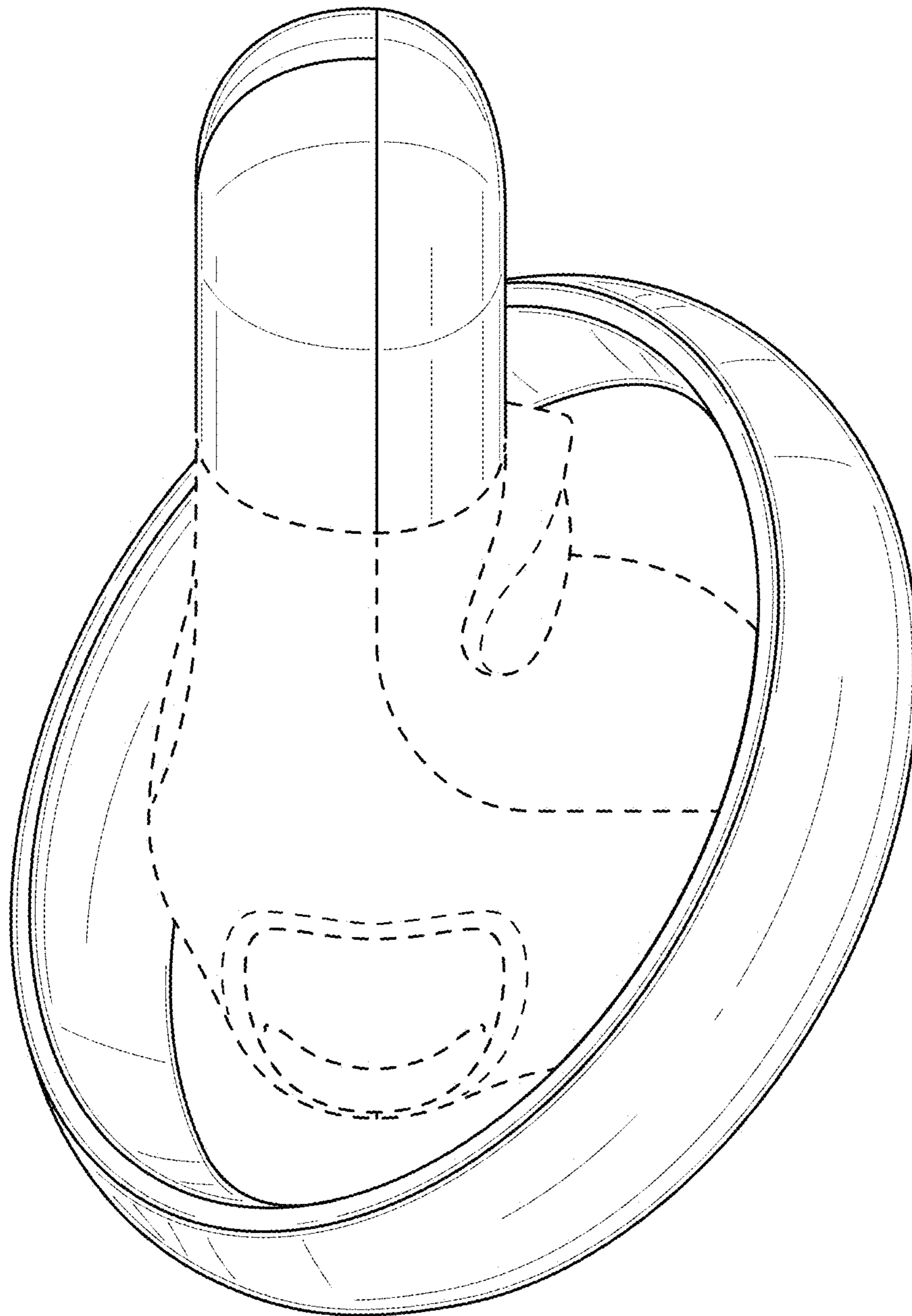


FIG. 8