



US00D905166S

(12) **United States Design Patent** (10) **Patent No.:** **US D905,166 S**  
**Adams et al.** (45) **Date of Patent:** **\*\* Dec. 15, 2020**

(54) **GAME CONTROLLER**  
(71) Applicant: **Microsoft Corporation**, Redmond, WA (US)  
(72) Inventors: **Aditha May Adams**, Seattle, WA (US); **Benjamin Boesel**, Seattle, WA (US); **Christopher H. Kujawski**, Seattle, WA (US)  
(73) Assignee: **Microsoft Corporation**, Redmond, WA (US)  
(\*\*) Term: **15 Years**  
(21) Appl. No.: **29/693,256**  
(22) Filed: **May 31, 2019**  
(51) **LOC (12) Cl.** ..... **21-01**  
(52) **U.S. Cl.**  
USPC ..... **D21/333**  
(58) **Field of Classification Search**  
USPC ..... D21/324–29, 330, 331, 333, 341, 342, D21/349, 386; D14/174, 177, 190, 203.5, D14/218, 250, 299, 322, 341, 345, 346, D14/353, 354, 356, 374, 375, 376, D14/387–401, 421, 432, 440, 443, 463, D14/474, 483, 493, 496, 511; D22/100, D22/103–105; D13/162, 162.1, 168; D10/78, 98, 103  
CPC ..... A45C 13/00; A45C 13/001; A45C 13/002; A63F 13/10; A63F 13/98; A63F 13/24; A63F 9/0291; A63F 13/06; G06F 3/0338; G06F 3/014; G06F 3/0346; G06T 7/246  
See application file for complete search history.

D806,173 S \* 12/2017 Britt ..... D21/333  
D815,697 S \* 4/2018 Chen ..... D21/333  
D817,300 S \* 5/2018 Bristol ..... D14/203.3  
D844,608 S \* 4/2019 Chen ..... D14/388  
D844,609 S \* 4/2019 Bristol ..... D14/388  
D849,743 S \* 5/2019 Chen ..... D14/401  
D851,086 S \* 6/2019 Chen ..... D14/401  
D863,446 S \* 10/2019 Bristol ..... D21/333  
D872,087 S \* 1/2020 Lo ..... D14/388  
D883,283 S \* 5/2020 Chen ..... D14/388

(Continued)

**OTHER PUBLICATIONS**

“Oculus VR Gaming Headset”, posted May 21, 2019 [Online], [retrieved Jul. 13, 2020]. Retrieved from Internet, [https://www.amazon.ca/product-reviews/B07PTMKYS7/ref=cm\\_cr\\_arp\\_d\\_viewopt\\_srt?ie=UTF8&filterByStar=five\\_star&reviewerType=all\\_reviews&pageNumber=1&sortBy=helpful#reviews-filter-bar.\\*](https://www.amazon.ca/product-reviews/B07PTMKYS7/ref=cm_cr_arp_d_viewopt_srt?ie=UTF8&filterByStar=five_star&reviewerType=all_reviews&pageNumber=1&sortBy=helpful#reviews-filter-bar.*)

(Continued)

*Primary Examiner* — Sandra Snapp  
*Assistant Examiner* — Mehri Bajoul  
(74) *Attorney, Agent, or Firm* — Banner & Witcoff, Ltd.

(57) **CLAIM**

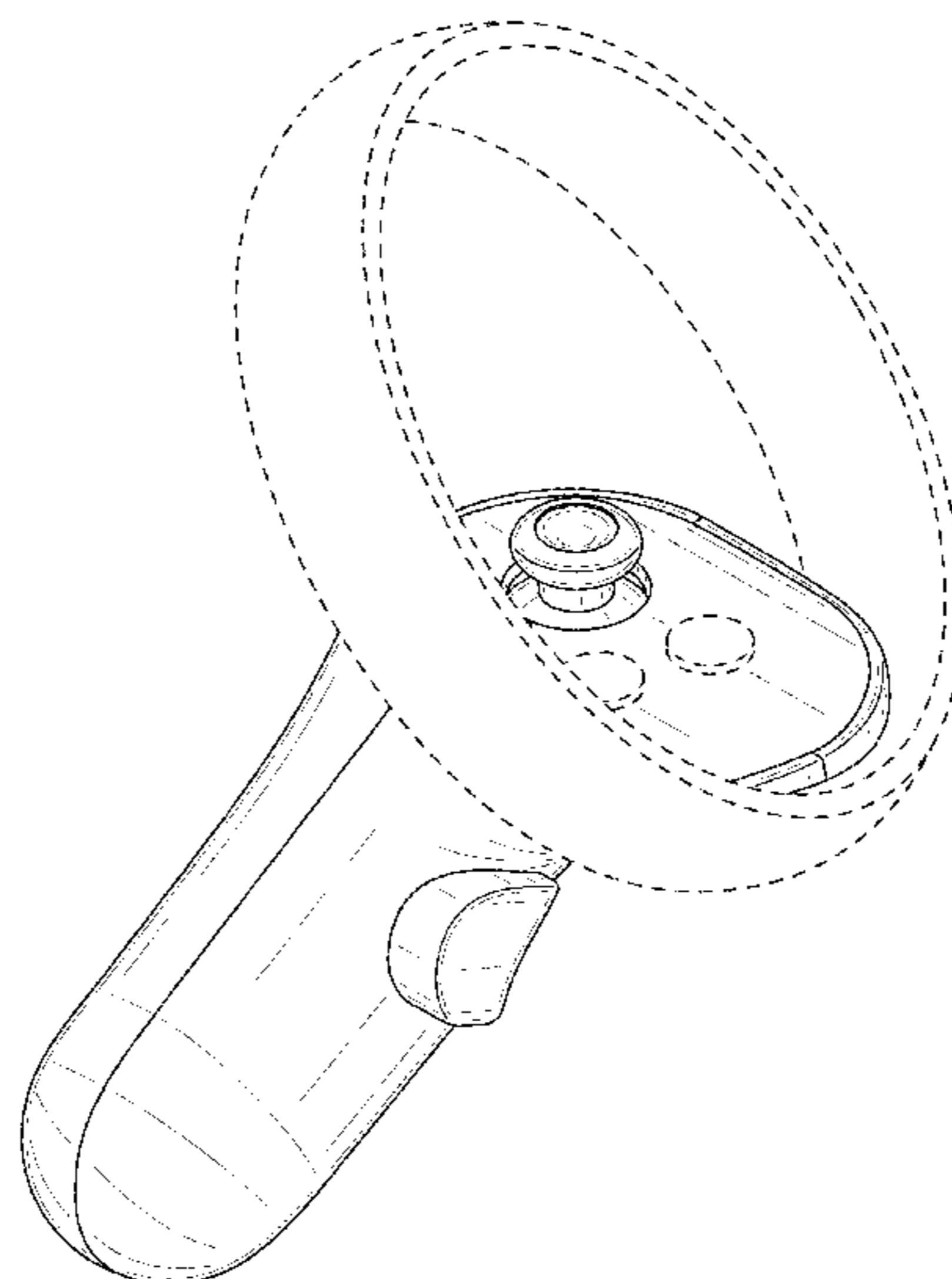
The ornamental design for a game controller, as shown and described.

**DESCRIPTION**

FIG. 1 is a front perspective view of a game controller showing our new design;  
FIG. 2 is a rear perspective view thereof;  
FIG. 3 is a bottom view thereof;  
FIG. 4 is a top view thereof;  
FIG. 5 is a right side view thereof;  
FIG. 6 is a left side view thereof;  
FIG. 7 is a front view thereof; and,  
FIG. 8 is a rear view thereof.  
The broken lines, in FIGS. 1-8, depict portions of the “game controller” that form no part of the claimed design.

**1 Claim, 8 Drawing Sheets**

(56) **References Cited**  
U.S. PATENT DOCUMENTS  
D638,841 S \* 5/2011 Musick, Jr. .... D14/412  
D780,807 S \* 3/2017 Chen ..... D14/496  
D797,743 S \* 9/2017 Awad ..... D14/412  
D804,580 S \* 12/2017 Britt ..... D21/333



(56)

**References Cited**

U.S. PATENT DOCUMENTS

D885,386 S \* 5/2020 Wei ..... D14/388  
D888,056 S \* 6/2020 Wei ..... D14/388

OTHER PUBLICATIONS

“Oculus Quest”, posted Jun. 25, 2019 [Online], [retrieved Jul. 13, 2020]. Retrieved from Internet, [https://www.youtube.com/watch?v=rWhUZjP5qNQ&list=RDCMUCFfcqe7b9Yidk2ZiAG8UIGA&start\\_radio=1&t=0](https://www.youtube.com/watch?v=rWhUZjP5qNQ&list=RDCMUCFfcqe7b9Yidk2ZiAG8UIGA&start_radio=1&t=0).\*

“Oculus Exclusive Game”, posted Jun. 26, 2019 [Online], [retrieved Jul. 13, 2020]. Retrieved from Internet, <https://www.roadtovr.com/valve-index-revive-oculus-rift-exclusive-games-content/>.\*

“Oculus Quest Tips and Tricks”, posted Jul. 10, 2019 [Online], [retrieved Jul. 13, 2020]. Retrieved from Internet, [https://www.youtube.com/watch?v=R3tJ3MfkU\\_g](https://www.youtube.com/watch?v=R3tJ3MfkU_g).\*

\* cited by examiner

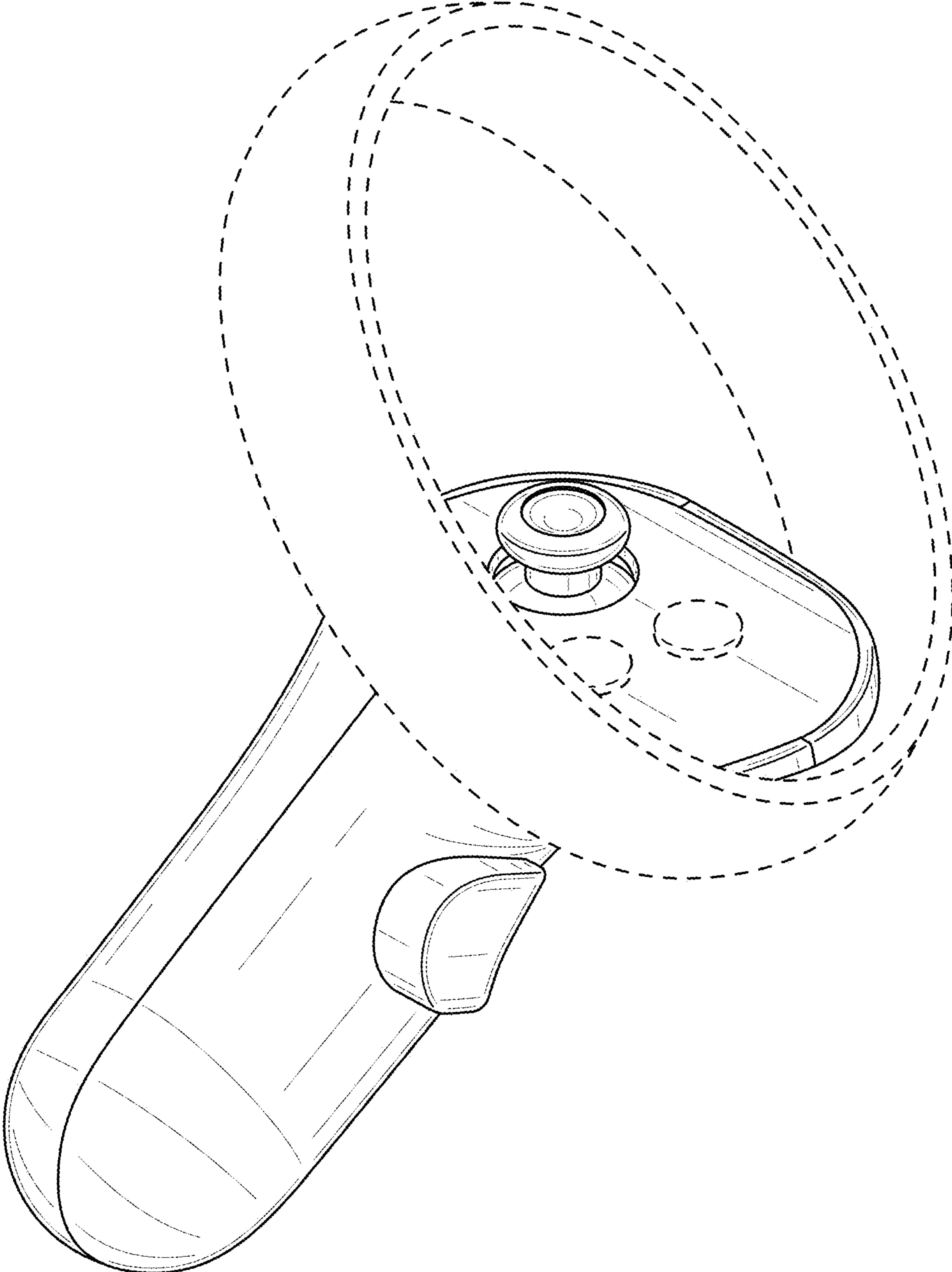


FIG. 1

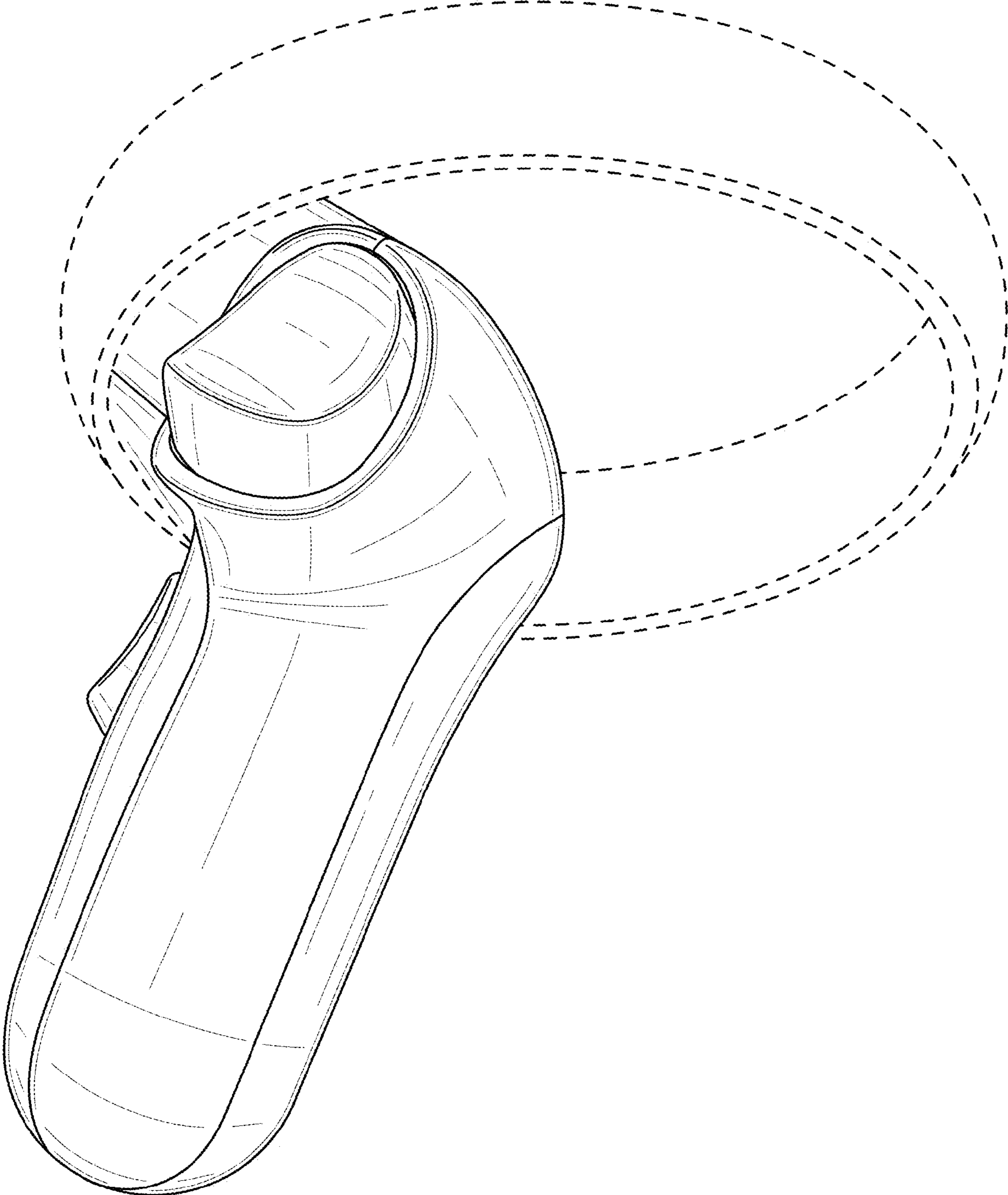


FIG. 2

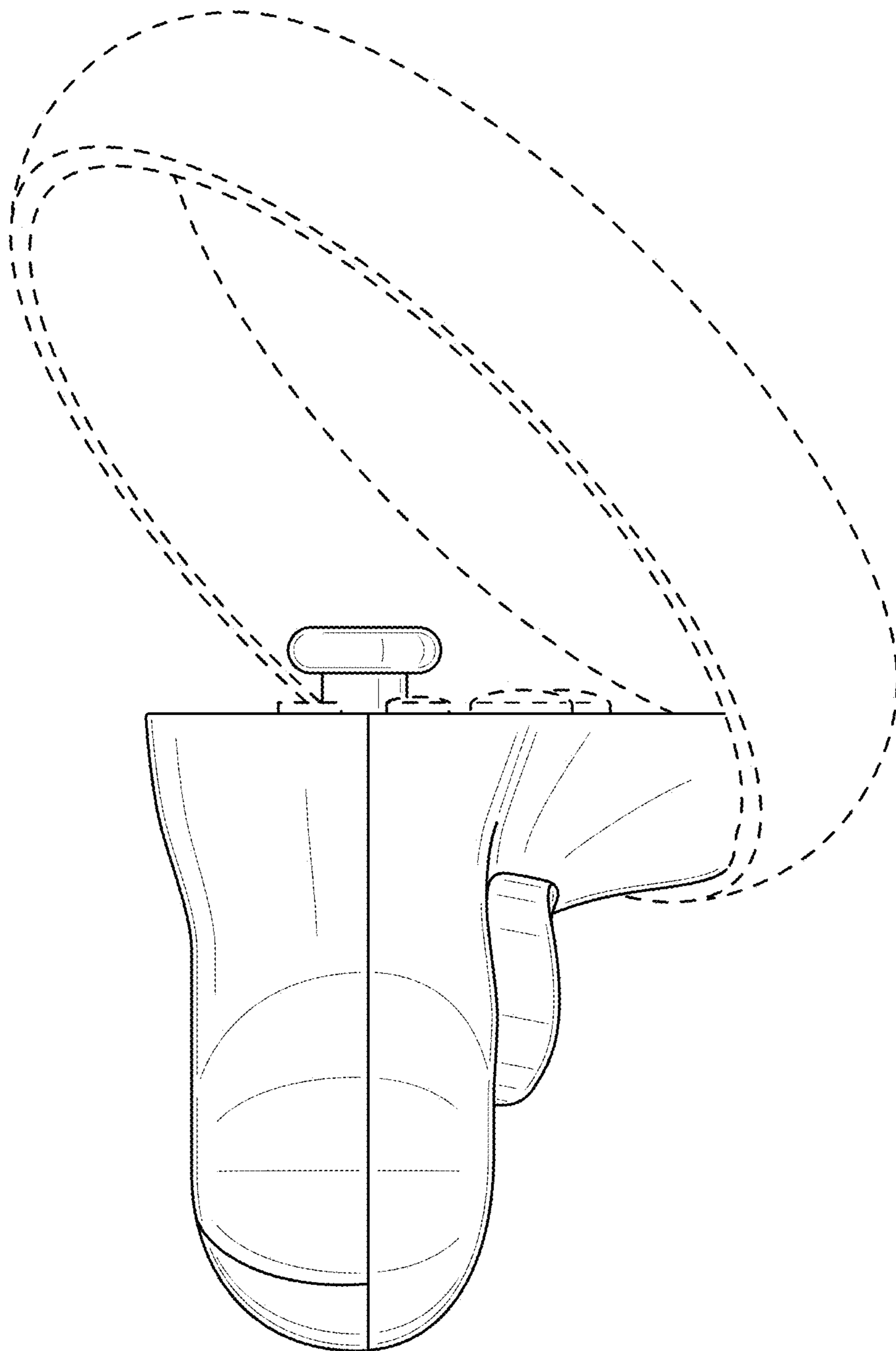


FIG. 3



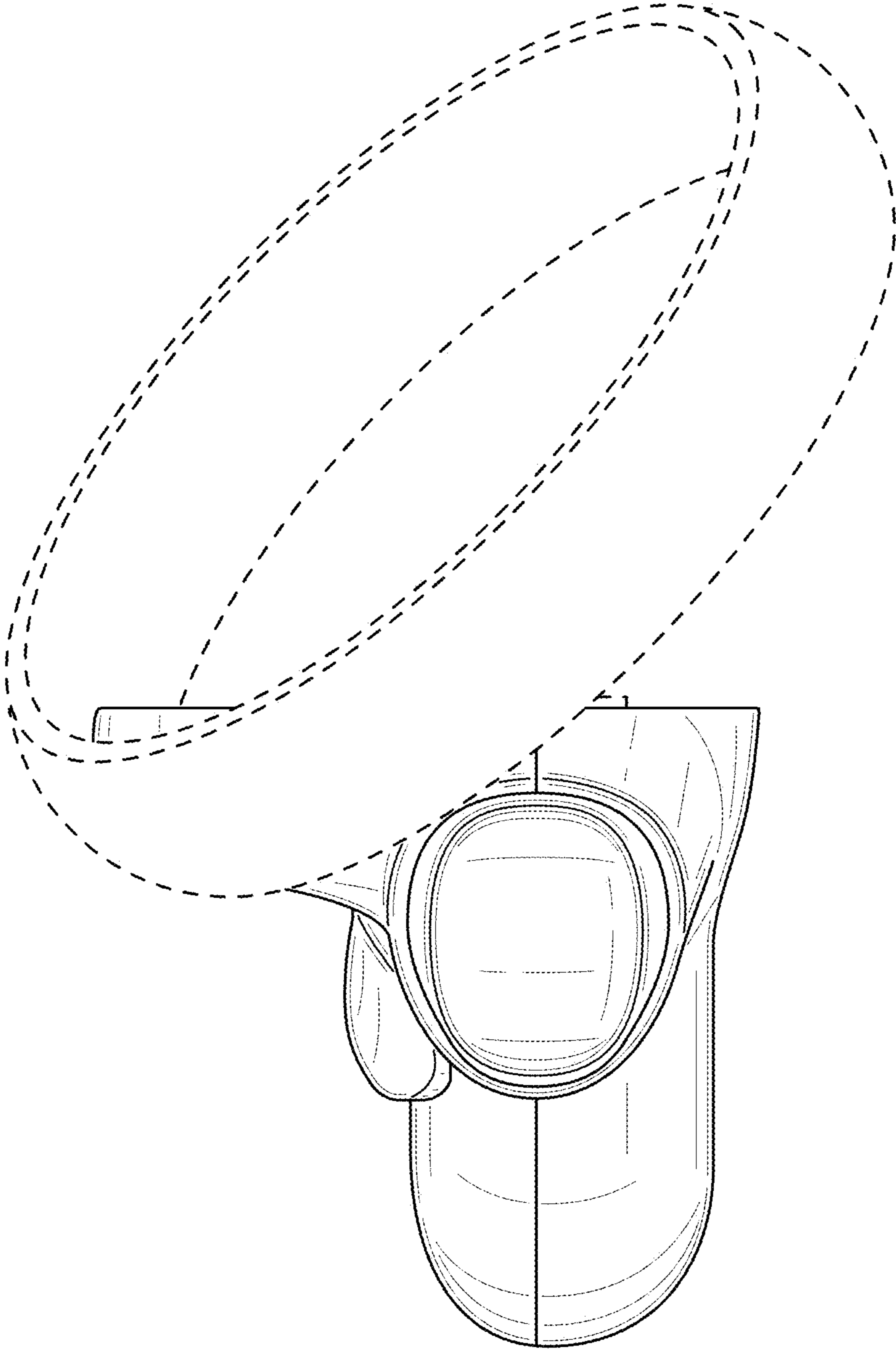


FIG. 4

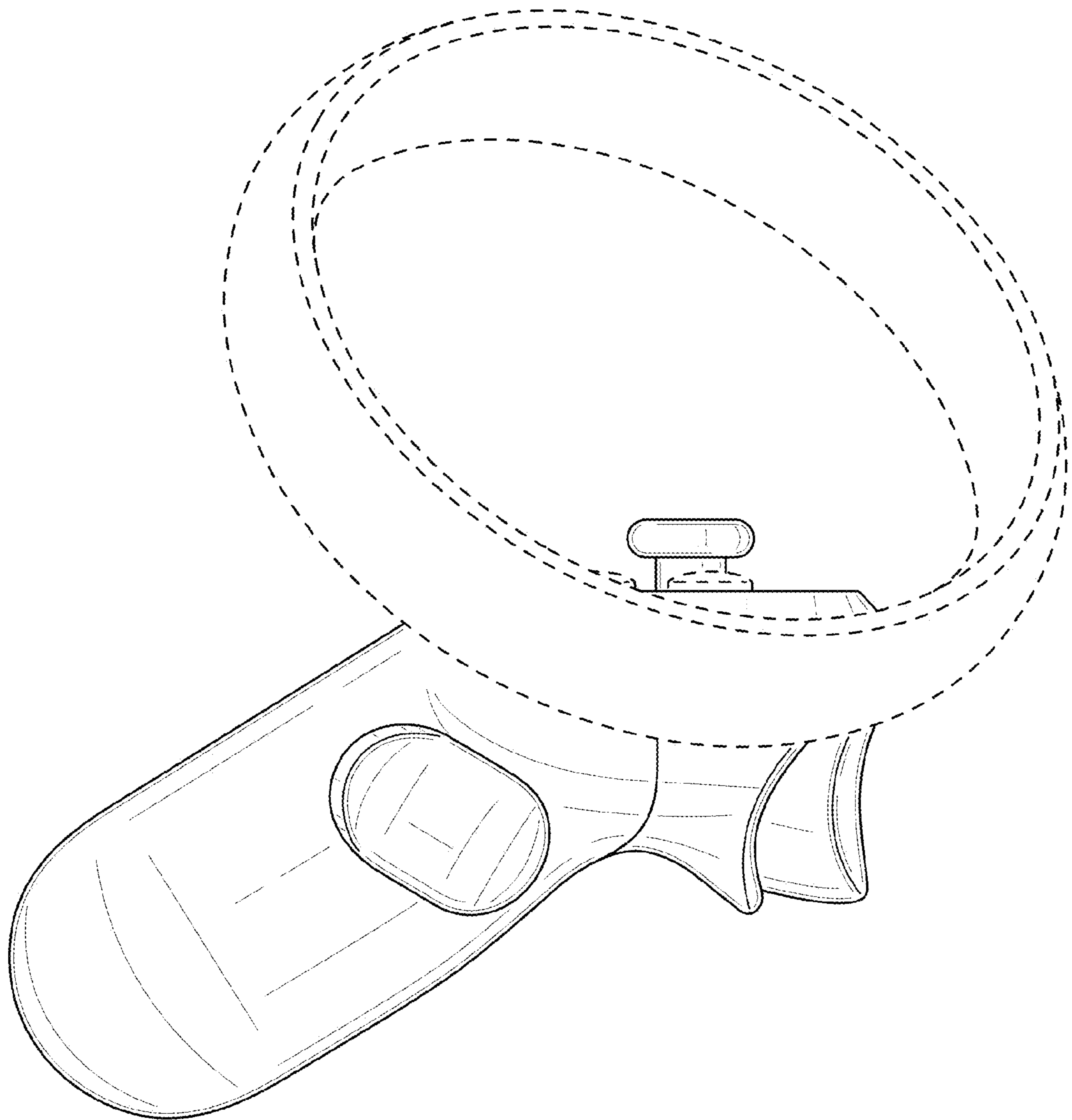


FIG. 5

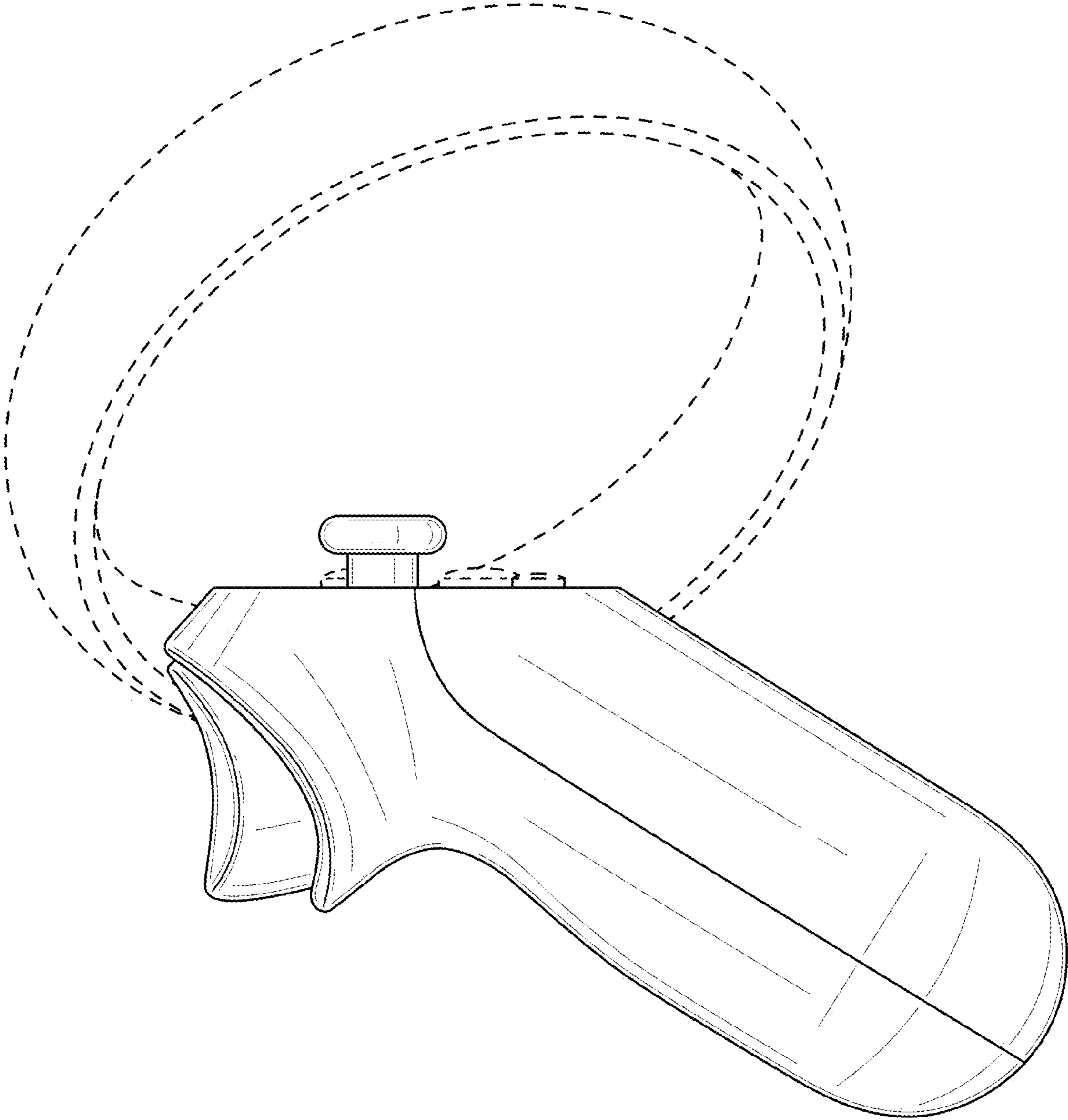


FIG. 6



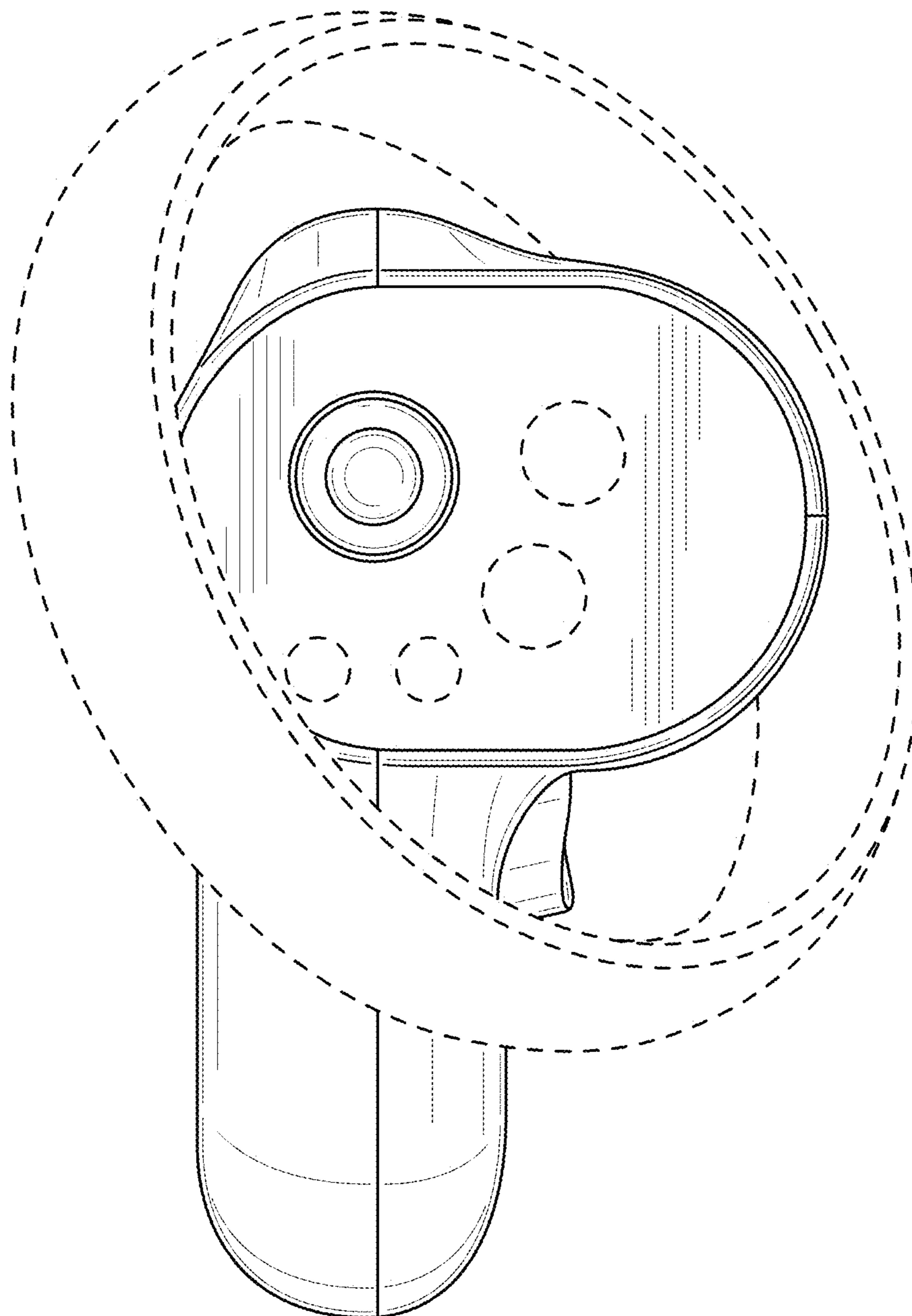


FIG. 7

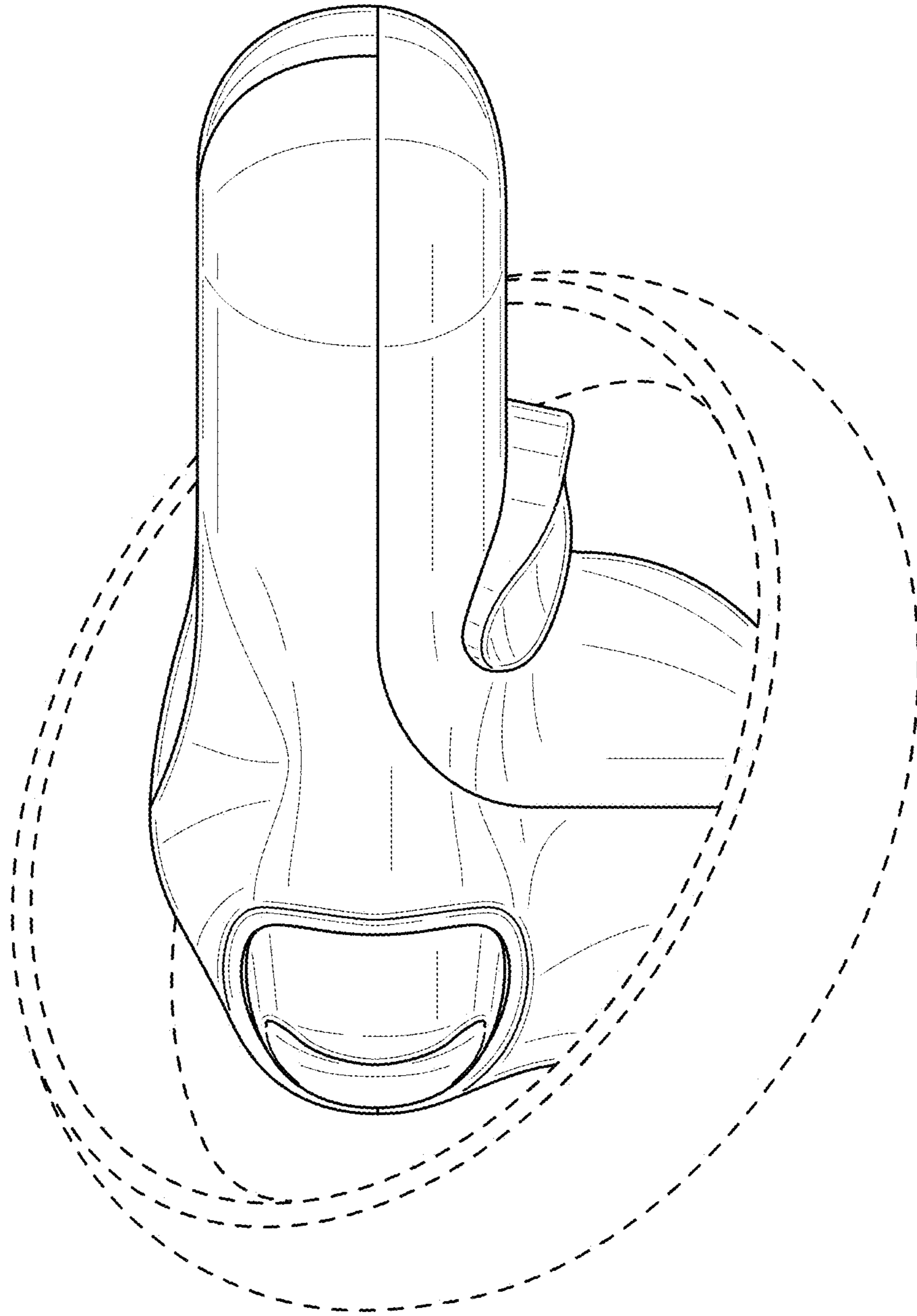


FIG. 8