



US00D905163S

(12) **United States Design Patent** (10) **Patent No.:** **US D905,163 S**  
**Konishi** (45) **Date of Patent:** **\*\* Dec. 15, 2020**

(54) **CONTROLLER FOR ELECTRONIC GAME MACHINE**

(71) Applicant: **Yoshinori Konishi**, Yokohama (JP)

(72) Inventor: **Yoshinori Konishi**, Yokohama (JP)

(\*\*) Term: **15 Years**

(21) Appl. No.: **29/673,091**

(22) Filed: **Dec. 11, 2018**

(30) **Foreign Application Priority Data**

Jun. 11, 2016 (JP) ..... 2018-012753

(51) **LOC (12) Cl.** ..... **21-01**

(52) **U.S. Cl.**  
USPC ..... **D21/333**

(58) **Field of Classification Search**

USPC ..... D21/324, 328, 329, 330, 331, 333, 341,  
D21/342, 349, 386; D14/218, 250, 299,  
D14/322, 341, 345, 346, 353, 354, 374,  
D14/375, 376, 421, 432, 440, 443, 463;  
D22/100, 103-105; D13/162, 162.1, 168;  
D10/78, 98, 103

CPC ..... A45C 13/00; A45C 13/001; A45C 13/002;  
A63F 13/10; A63F 13/98; A63F 13/24;  
A63F 9/0291

See application file for complete search history.

(56) **References Cited**

**U.S. PATENT DOCUMENTS**

D288,321 S \* 2/1987 Ohtsu ..... D14/132  
D356,344 S \* 3/1995 Rissman ..... D21/331  
D382,914 S \* 8/1997 Ho ..... D21/331  
D402,708 S \* 12/1998 Tai ..... D21/330  
D411,530 S \* 6/1999 Carter ..... D14/217  
D416,253 S \* 11/1999 Hibino ..... D14/138 G  
D421,038 S \* 2/2000 Hisatsune ..... D13/168  
D484,918 S \* 1/2004 Okada ..... D21/330

(Continued)

**OTHER PUBLICATIONS**

“Mayflash arcade joystick switch”, posted Jul. 5, 2017[online],[retrieved Dec. 1, 2019] from internet: [https://www.amazon.ca/Mayflash-F300-Arcade-Joystick-Switch/product-reviews/B019MFPLC0/ref=cm\\_cr\\_arp\\_d\\_viewopt\\_srt?ie=UTF8&reviewerType=all\\_reviews&pageNumber=1&filterByStar=critical&sortBy=recent.\\*](https://www.amazon.ca/Mayflash-F300-Arcade-Joystick-Switch/product-reviews/B019MFPLC0/ref=cm_cr_arp_d_viewopt_srt?ie=UTF8&reviewerType=all_reviews&pageNumber=1&filterByStar=critical&sortBy=recent.*)

(Continued)

*Primary Examiner* — Sandra Snapp

*Assistant Examiner* — Mehri Bajoul

(74) *Attorney, Agent, or Firm* — Cohen IP Law Group, P.C.; Michael N. Cohen

(57) **CLAIM**

The ornamental design for a controller for electronic game machine, as shown and described.

**DESCRIPTION**

FIG. 1 is a top back right perspective view of a controller for electronic game machine showing my new design in a closed condition;

FIG. 2 is a front elevational view thereof;

FIG. 3 is a back elevational view thereof;

FIG. 4 is a right elevational view thereof;

FIG. 5 is a left elevational view thereof;

FIG. 6 is a top plan view thereof;

FIG. 7 is a bottom plan view thereof;

FIG. 8 is a perspective view showing the interior details of the top portion in an open condition;

FIG. 9 is a top plan view thereof;

FIG. 10 is a top plan view in an open condition;

FIG. 11 is a right elevational view thereof;

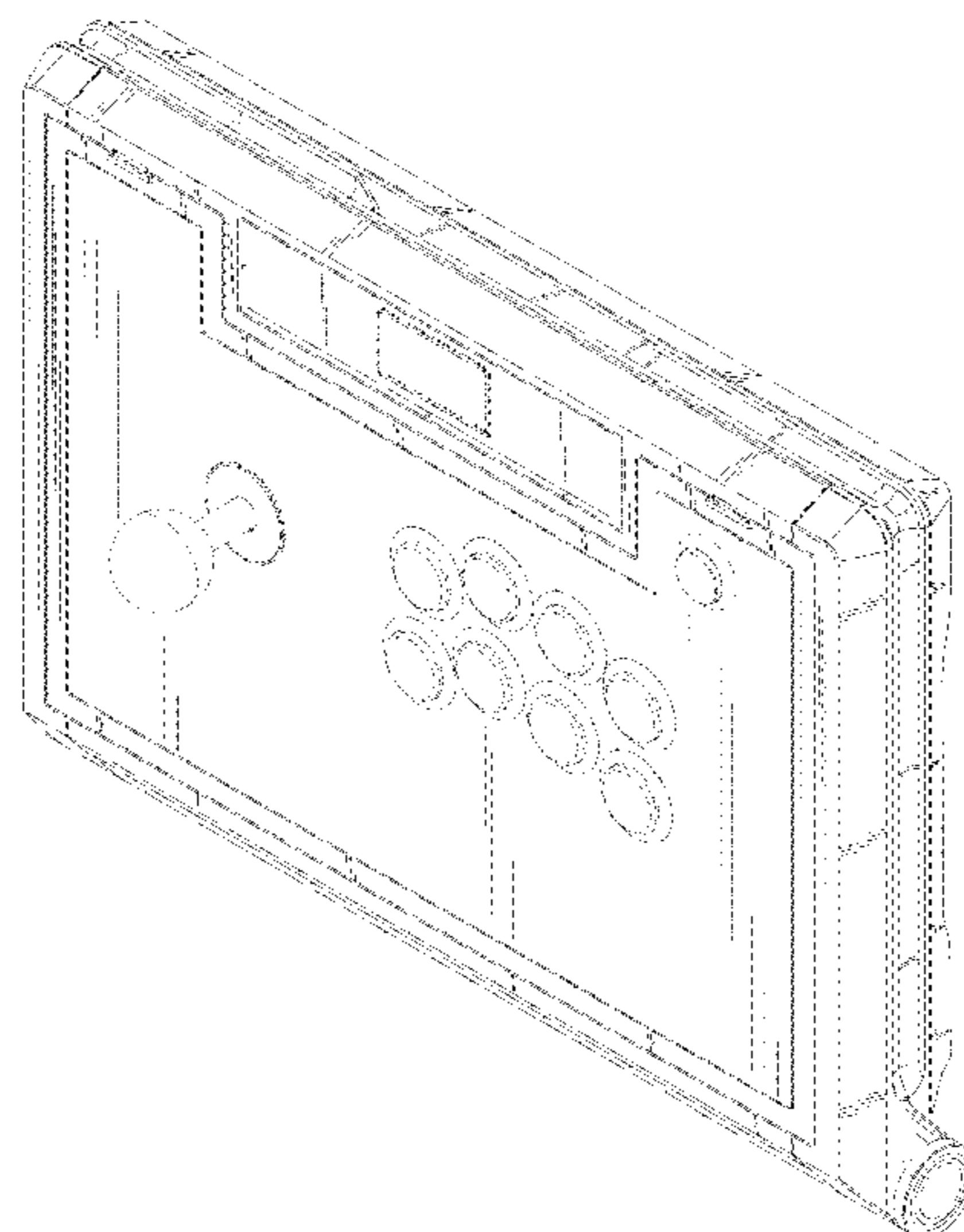
FIG. 12 is a left elevational view thereof;

FIG. 13 is another elevation view showing the bottom and the top in an open condition; and,

FIG. 14 is a plan showing the interior details of the bottom in an open condition.

The broken lines shown in the drawings depict portions of the controller for electronic game machine that form no part of the claimed design.

**1 Claim, 12 Drawing Sheets**



(56)

**References Cited**

U.S. PATENT DOCUMENTS

D488,470	S	*	4/2004	Morisawa	.....	D14/165
D524,870	S	*	7/2006	Sugino	.....	D21/330
D645,521	S	*	9/2011	Ehara	.....	D21/330
D648,370	S	*	11/2011	Yoshida	.....	D14/218
D706,268	S	*	6/2014	Beams	.....	D14/413
D750,179	S	*	2/2016	Foulkes	.....	D14/400
D760,185	S	*	6/2016	Lu	.....	D14/203.4
D774,553	S	*	12/2016	Chan	.....	D14/497
D782,472	S	*	3/2017	Tanaka	.....	D14/341
D819,696	S	*	6/2018	Ehara	.....	D14/496
D824,459	S	*	7/2018	Liang	.....	D21/566
D861,767	S	*	10/2019	Morishita	.....	D16/237

OTHER PUBLICATIONS

“Mayflash arcade joystick switch”, posted Feb. 5, 2019[online],[retrieved Dec. 1, 2019] from internet: [https://www.amazon.ca/Mayflash-F500-Arcade-Android-SWITCH/product-reviews/B00QM7JUMY/ref=cm\\_cr\\_getr\\_d\\_paging\\_btm\\_next\\_4?ie=UTF8&reviewerType=allreviews&pageNumber=4](https://www.amazon.ca/Mayflash-F500-Arcade-Android-SWITCH/product-reviews/B00QM7JUMY/ref=cm_cr_getr_d_paging_btm_next_4?ie=UTF8&reviewerType=allreviews&pageNumber=4).\*

\* cited by examiner

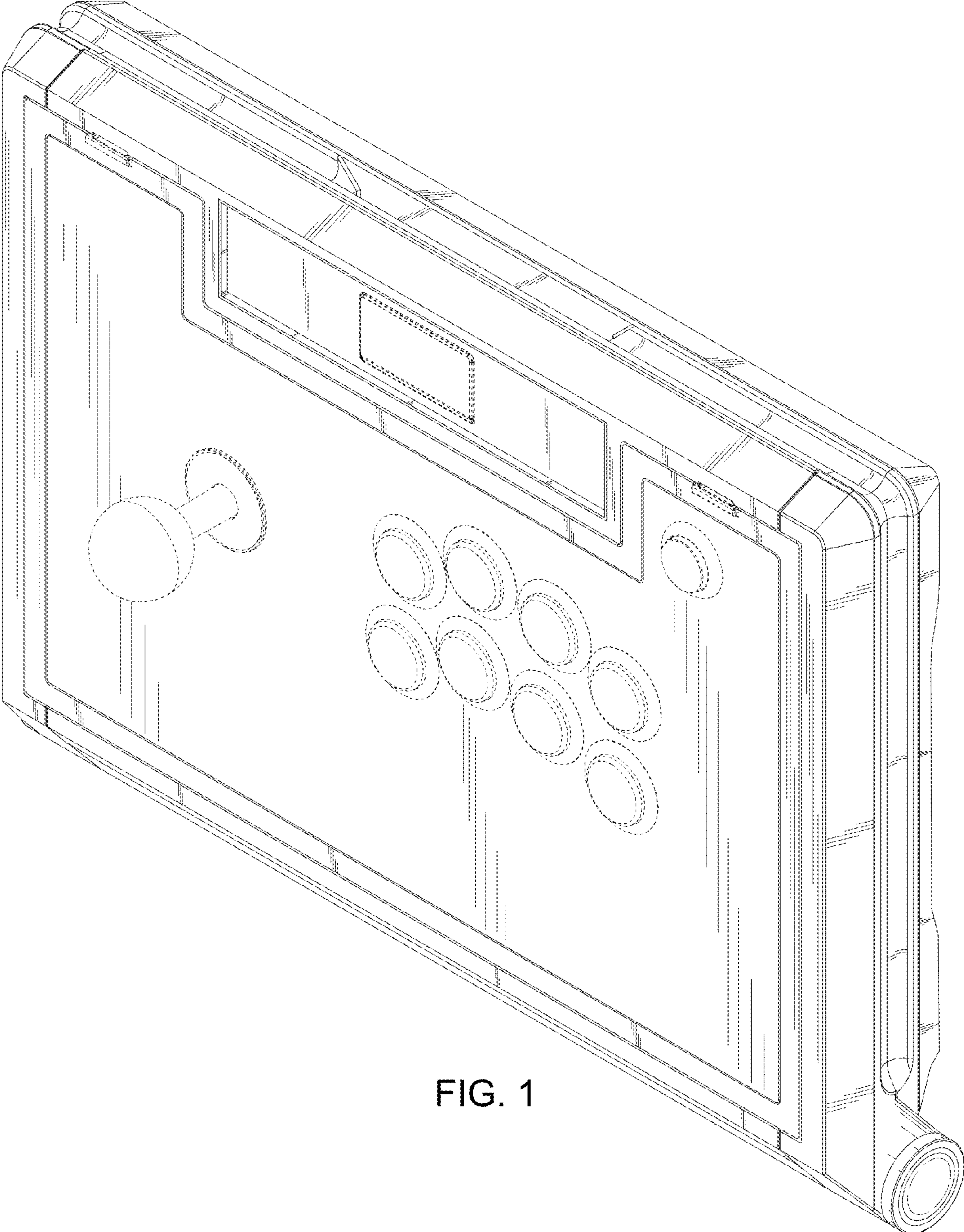


FIG. 1



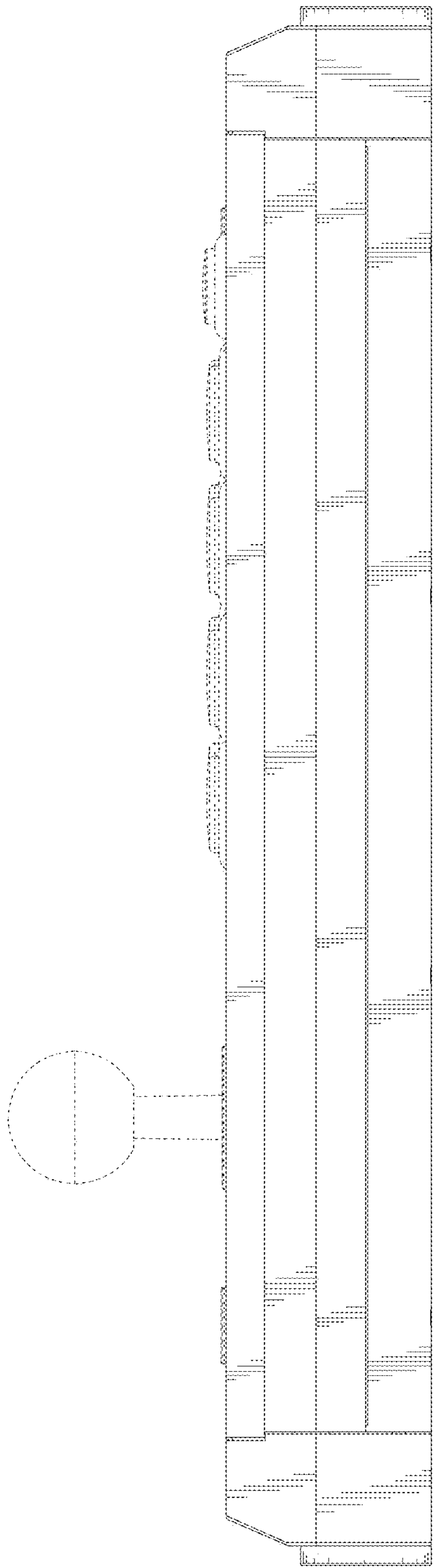


FIG. 2

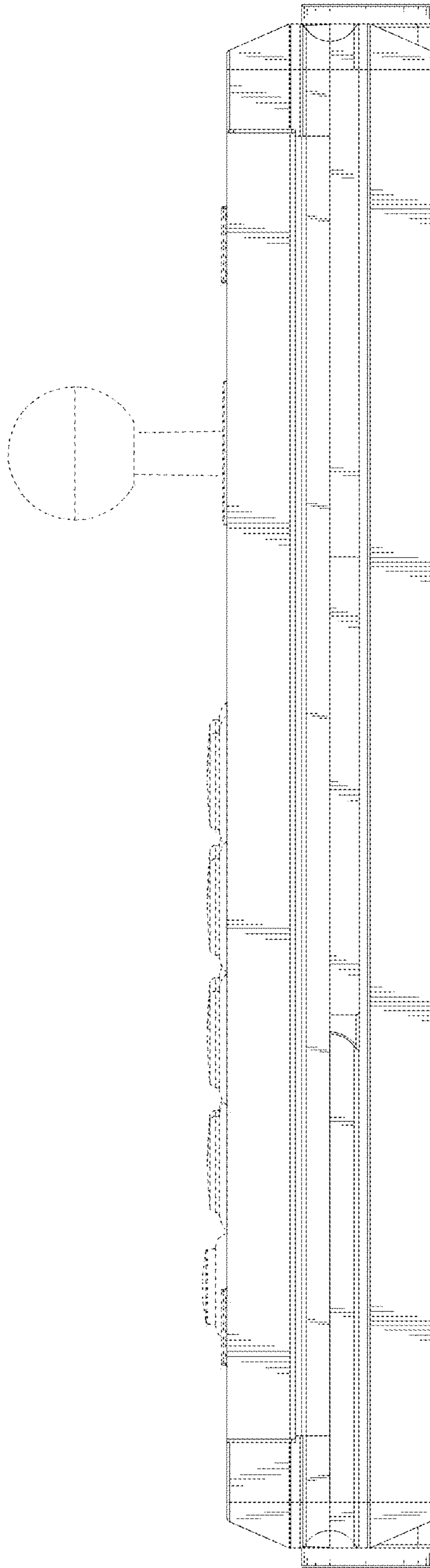


FIG. 3

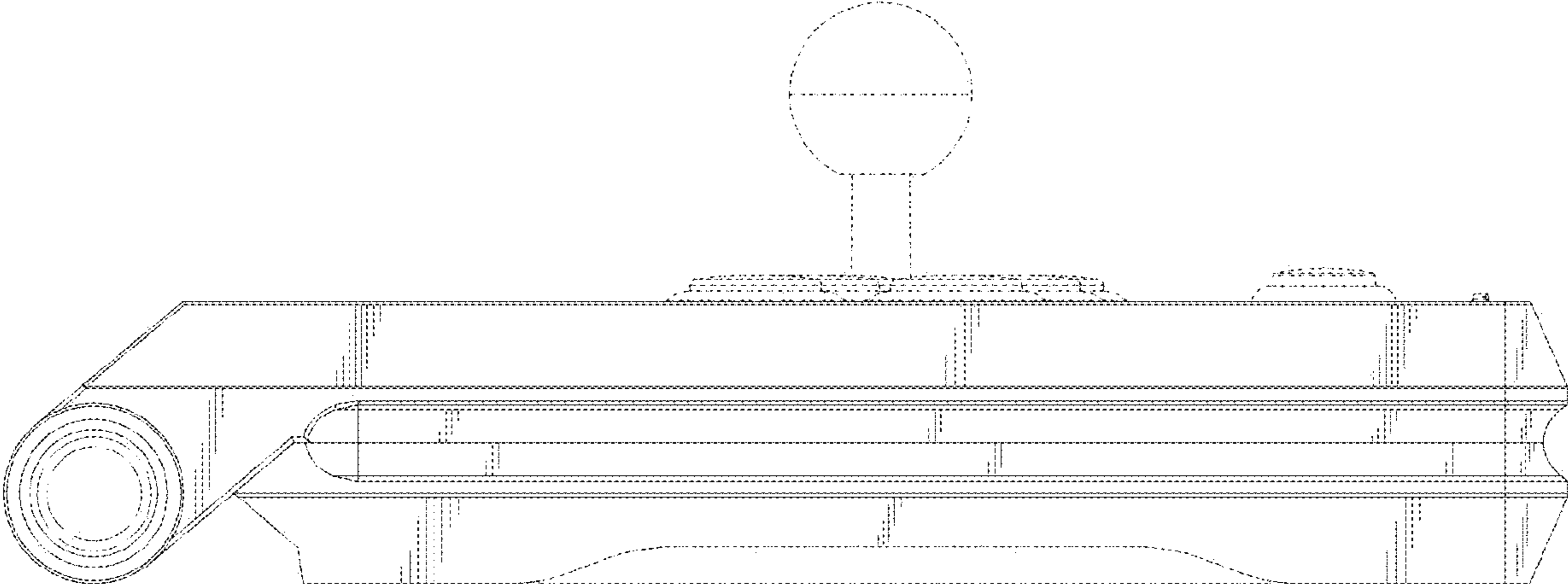


FIG. 4

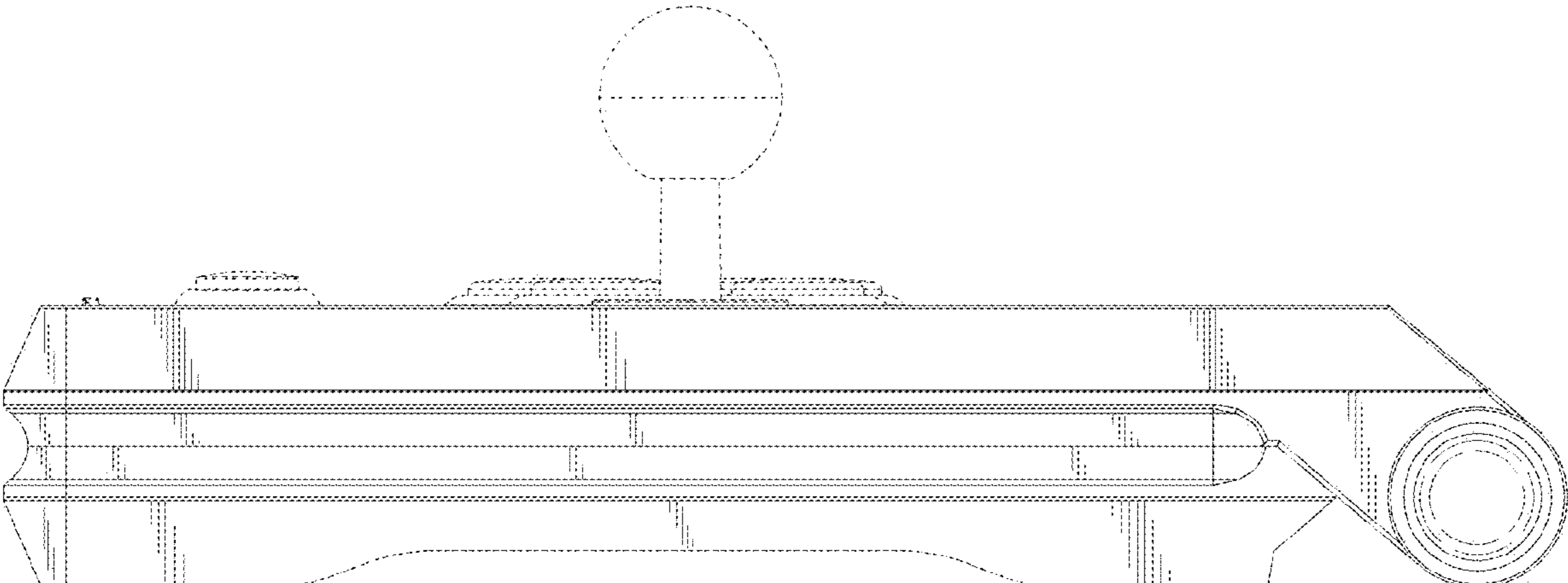


FIG. 5

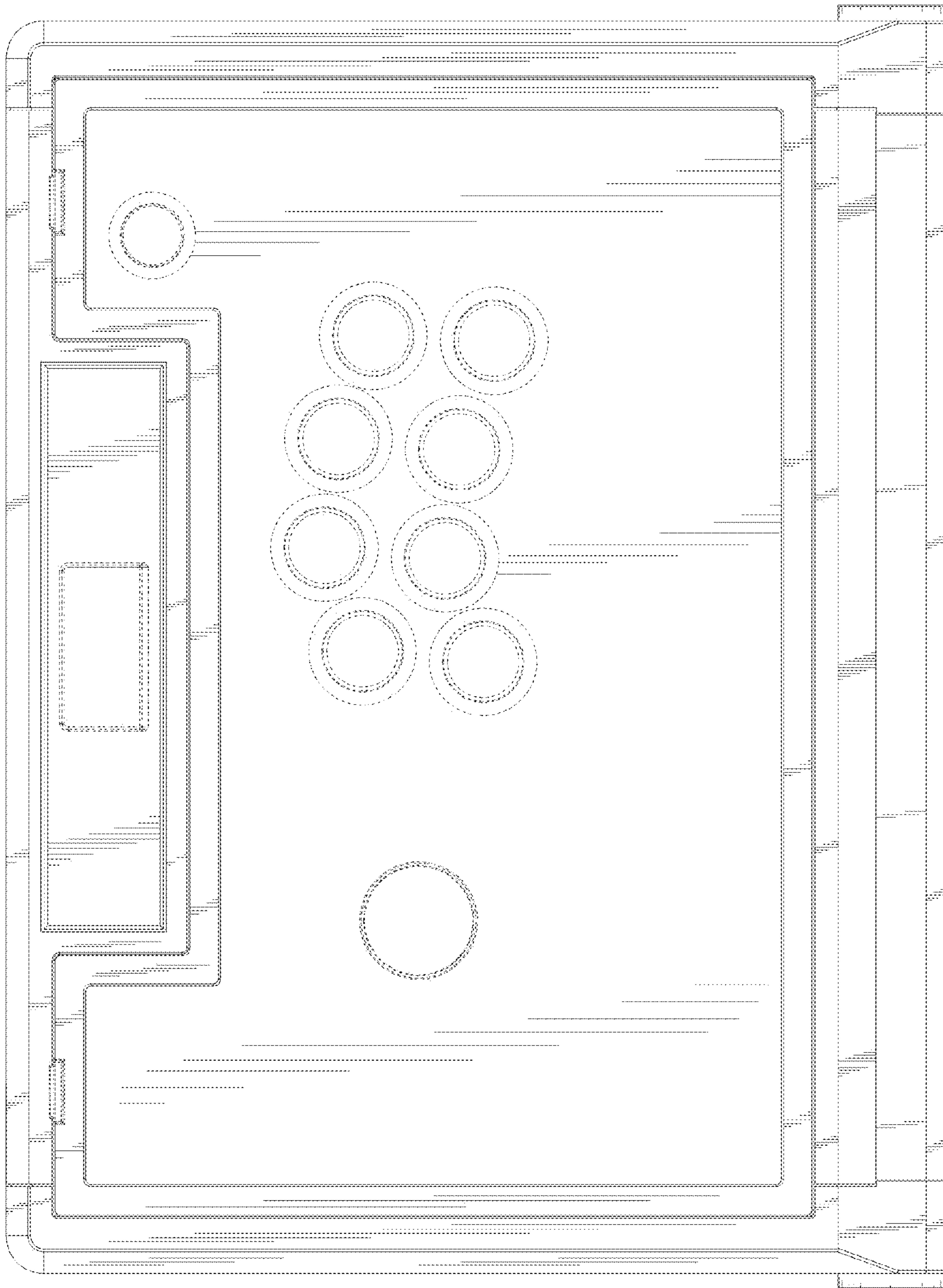


FIG. 6



FIG. 7



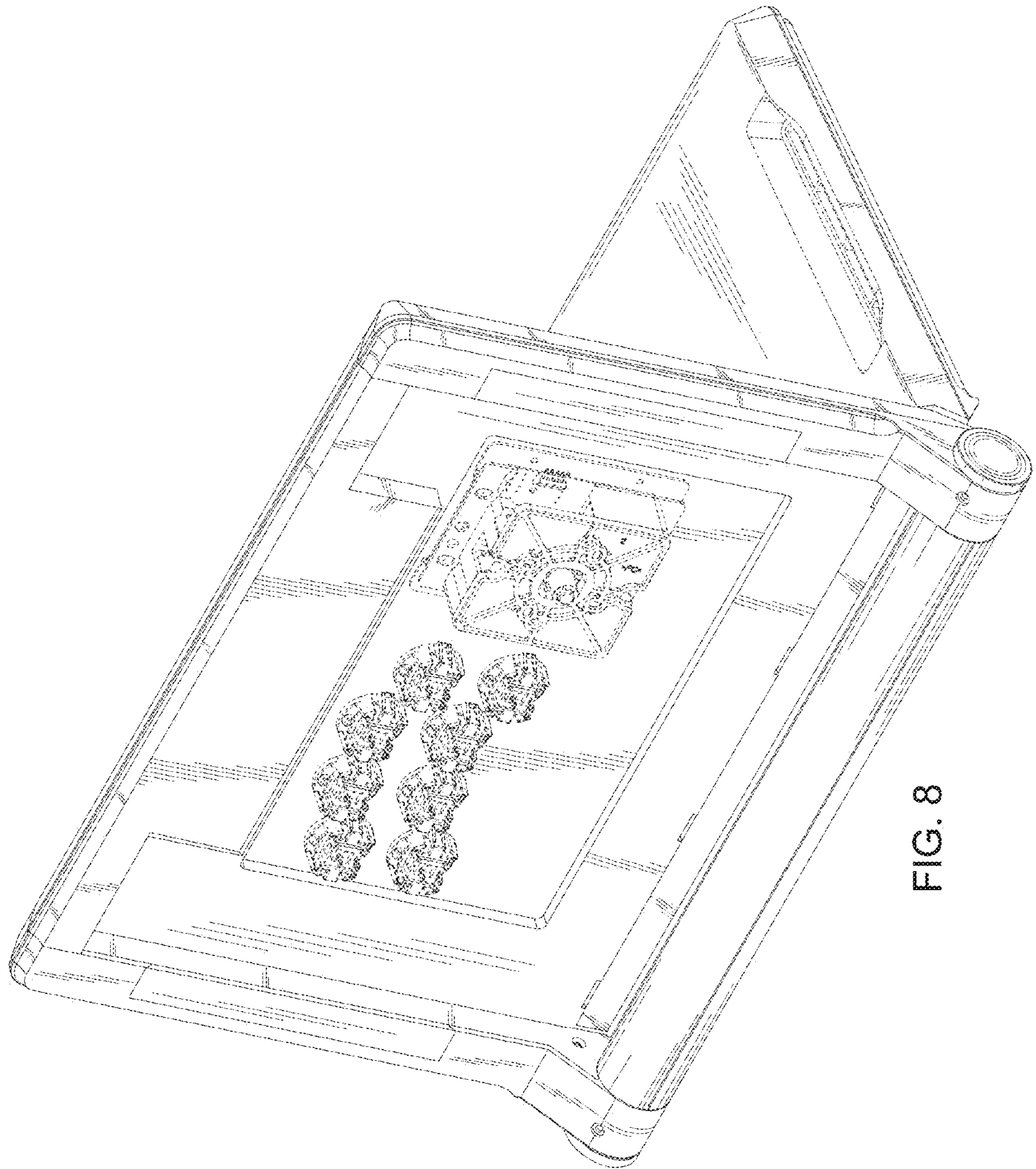


FIG. 8



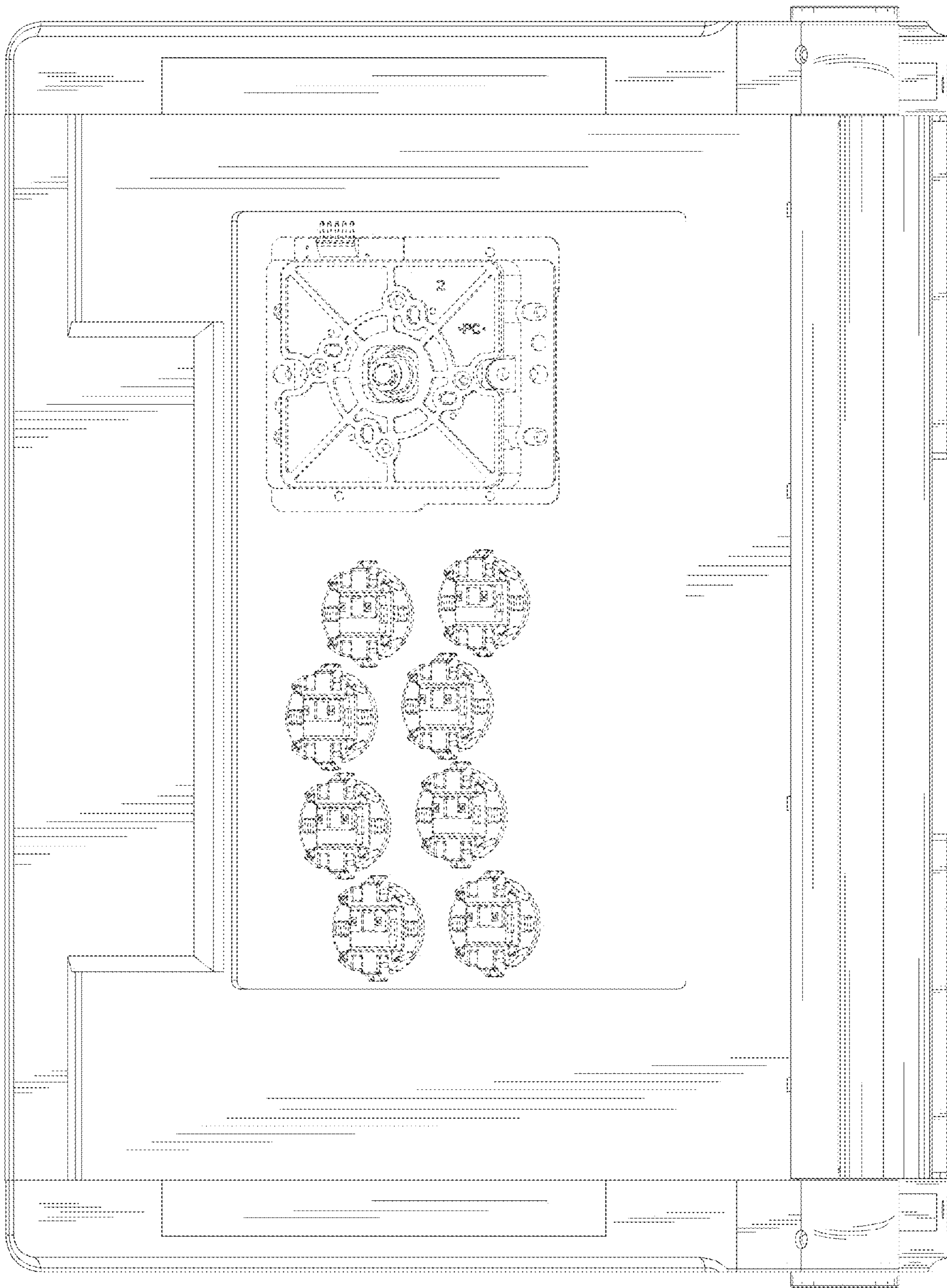


FIG. 9

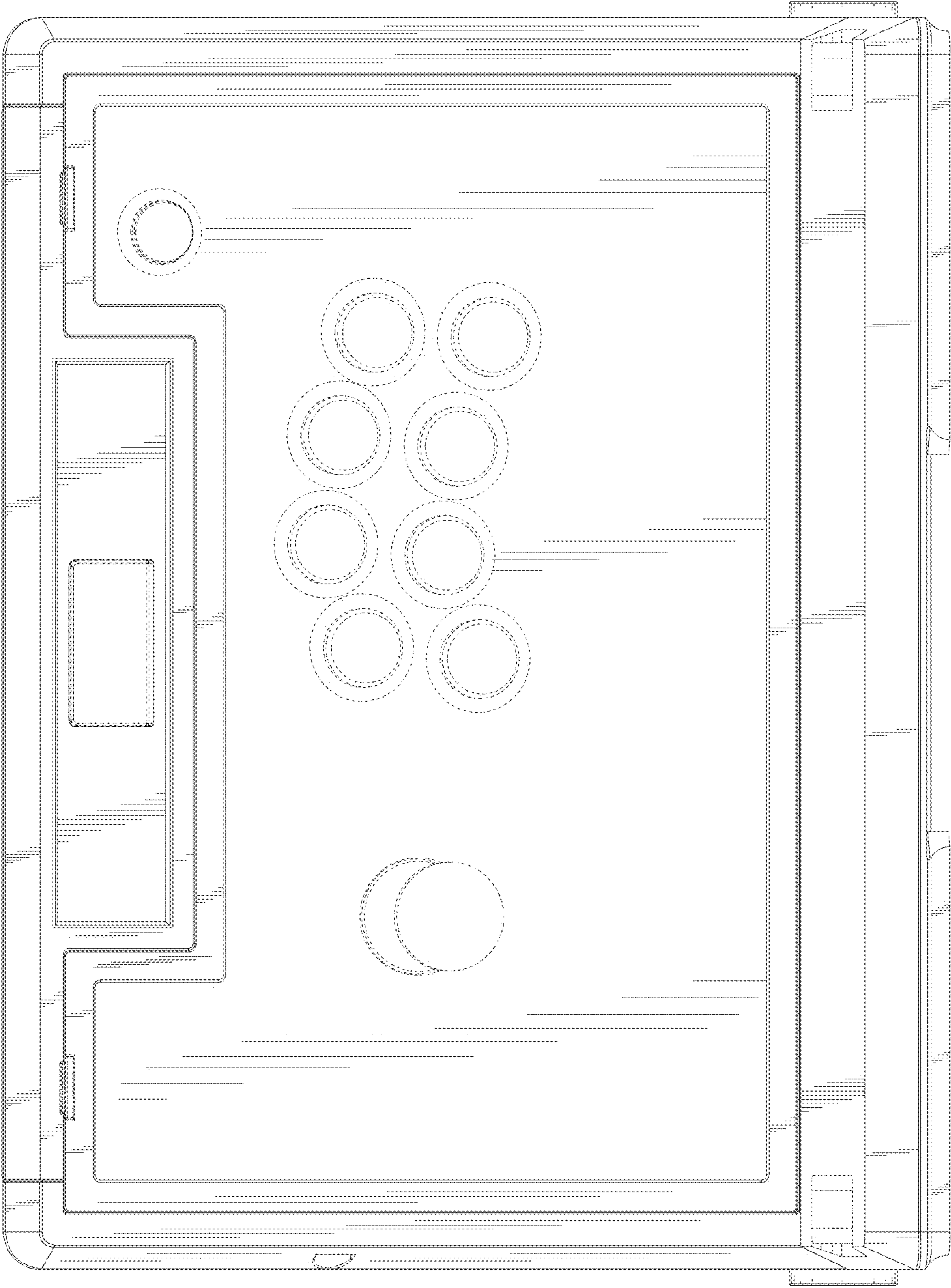


FIG. 10

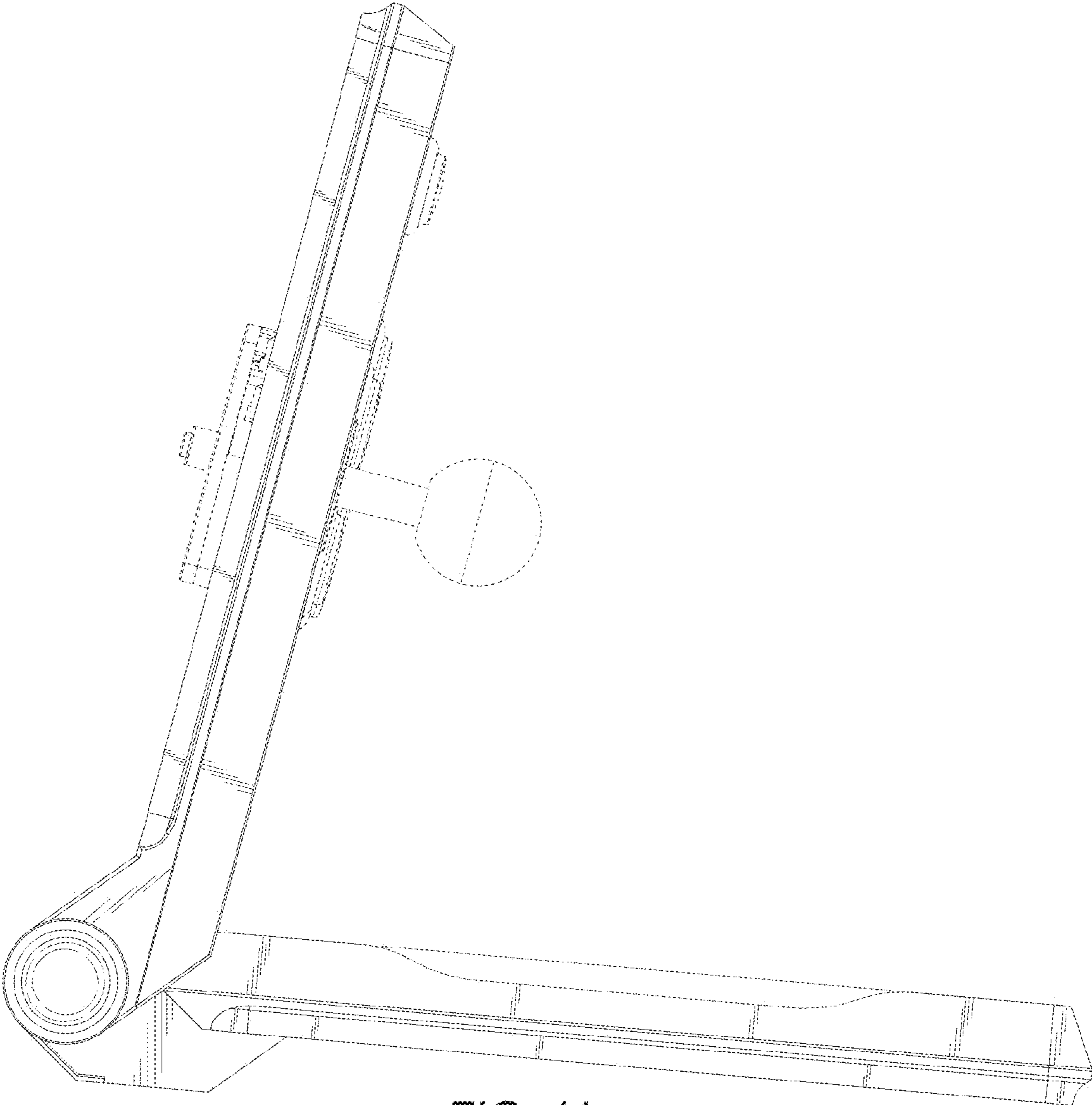


FIG. 11



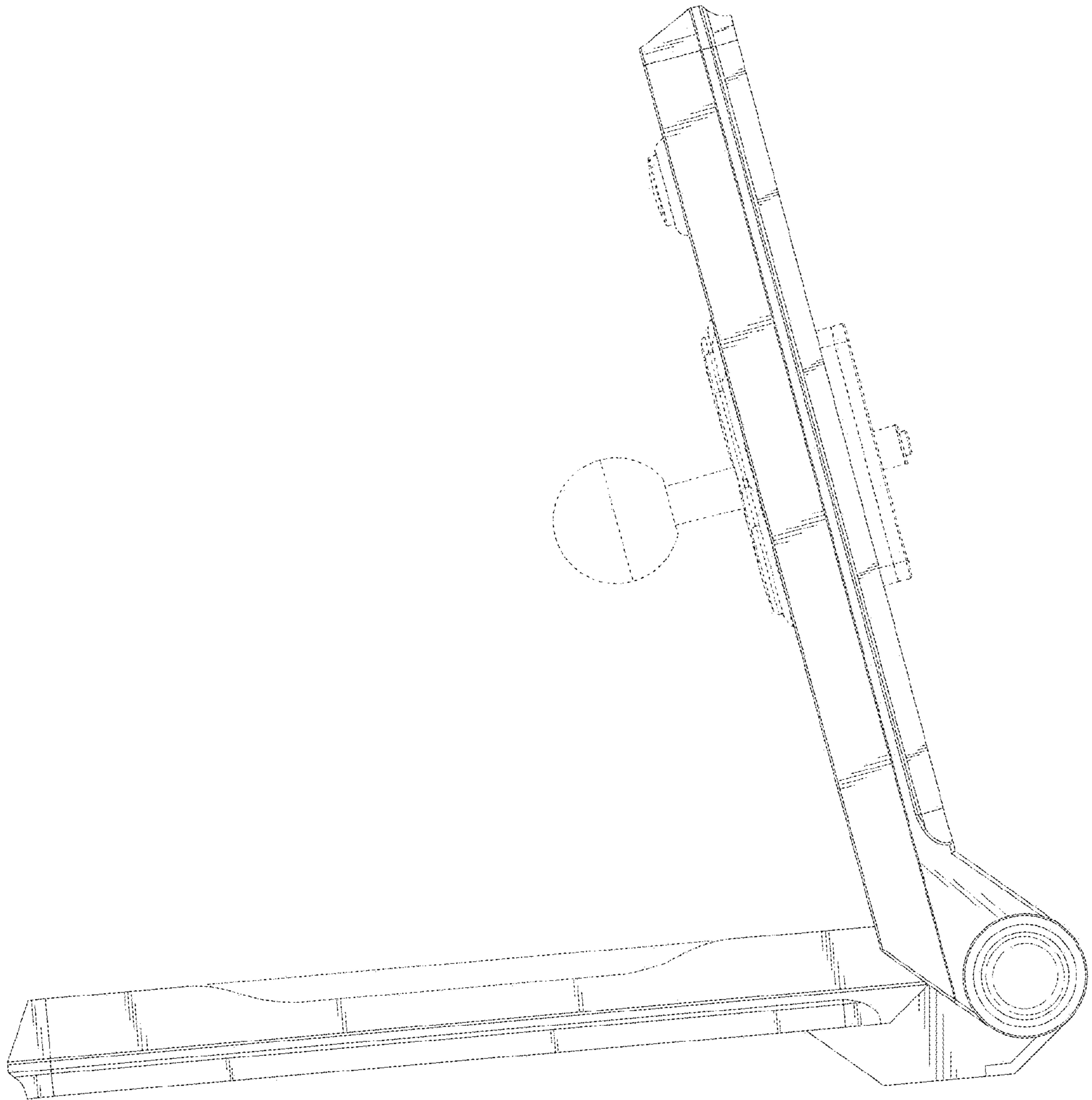


FIG. 12

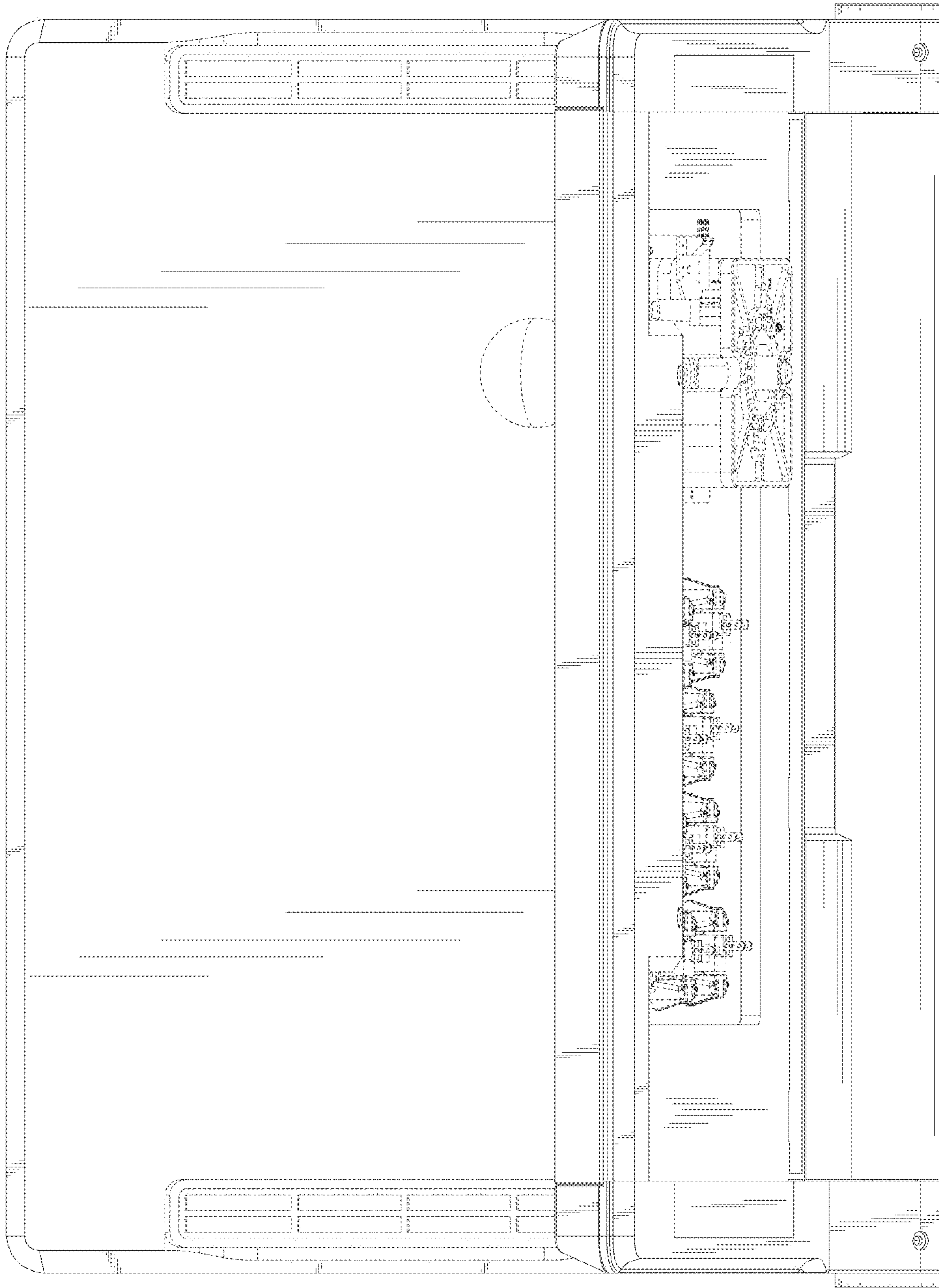


FIG. 13

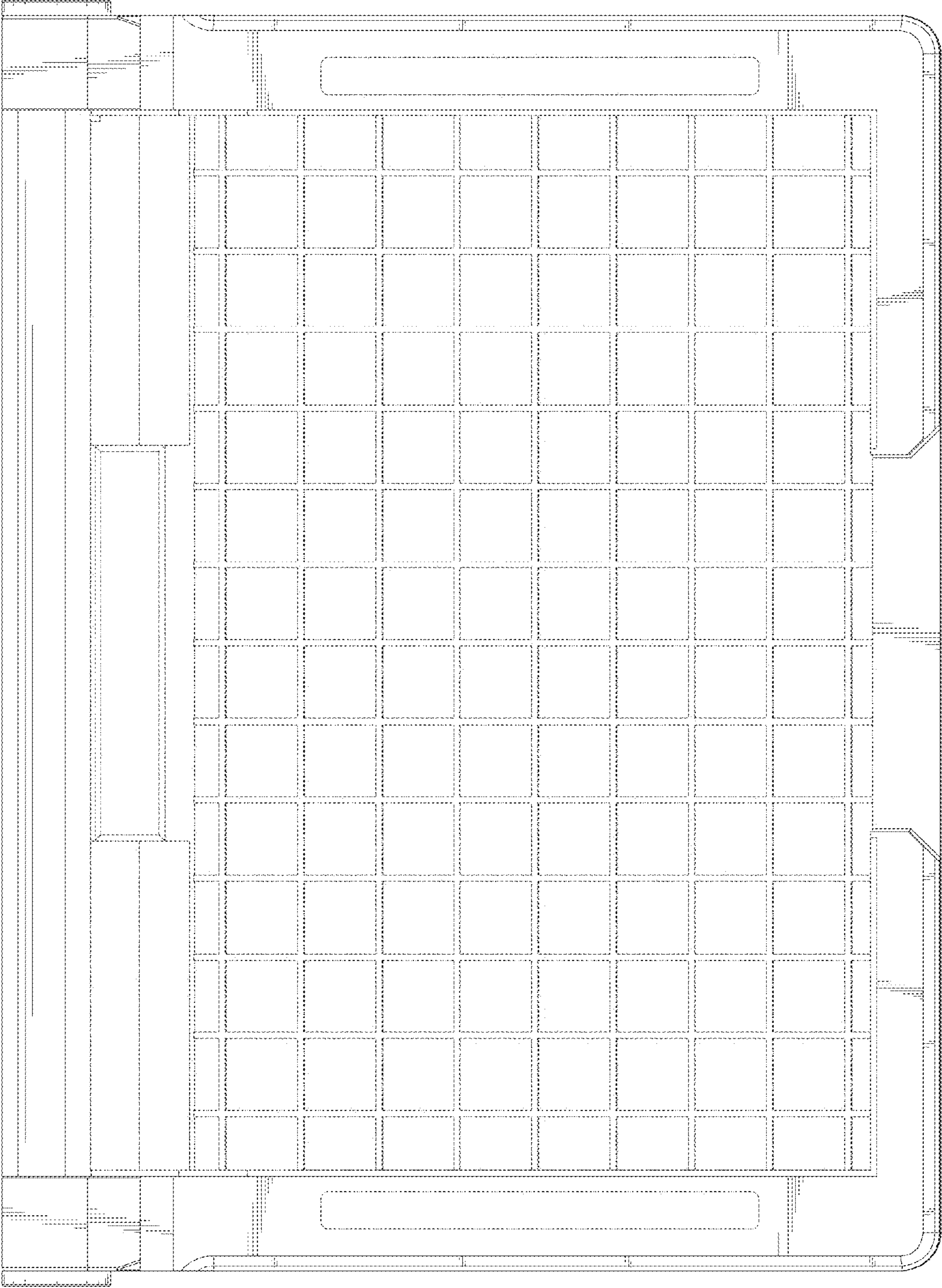


FIG. 14