



US00D905161S

(12) **United States Design Patent** (10) **Patent No.:** **US D905,161 S**
Ledbetter et al. (45) **Date of Patent:** **** Dec. 15, 2020**

(54) **ELECTRONIC CONSOLE**

- (71) Applicant: **Microsoft Corporation**, Redmond, WA (US)
- (72) Inventors: **Carl J. Ledbetter**, Mercer Island, WA (US); **Nicolas A. Denhez**, Seattle, WA (US)
- (73) Assignee: **Microsoft Corporation**, Redmond, WA (US)

(**) Term: **15 Years**

(21) Appl. No.: **29/692,107**

(22) Filed: **May 22, 2019**

(51) **LOC (12) Cl.** **21-01**

(52) **U.S. Cl.**
USPC **D21/332**

(58) **Field of Classification Search**
 USPC D21/324, 330, 332, 333; D14/299, 496, D14/502, 505, 506; D13/168
 CPC A63F 13/24; A63F 9/00; A63F 9/24; A63F 11/00; A63F 13/00; A63F 13/02; A63F 2300/00; G07F 17/00
 See application file for complete search history.

(56) **References Cited**

U.S. PATENT DOCUMENTS

D657,788 S *	4/2012	Ledbetter	D14/363
D664,993 S *	8/2012	Ledbetter	D14/496
D665,424 S *	8/2012	Ledbetter	D14/496
D693,711 S *	11/2013	Jacobs	D10/70
D700,246 S *	2/2014	Jacobs	D21/332
D705,361 S *	5/2014	Jacobs	D21/332
D705,869 S *	5/2014	Jacobs	D21/332
D705,870 S *	5/2014	Jacobs	D21/332
D705,871 S *	5/2014	Jacobs	D21/332
D707,144 S *	6/2014	Jacobs	D10/70
D708,971 S *	7/2014	Jacobs	D10/70
D709,133 S *	7/2014	Jacobs	D21/332

(Continued)

OTHER PUBLICATIONS

“PS5 VS Xbox Series X” posted Jun. 15, 2020 [Online],[Retrieved Aug. 30, 2020], retrieved from internet: <https://www.youtube.com/watch?v=DDRJdrWcjKA>.*

(Continued)

Primary Examiner — Sandra Snapp
Assistant Examiner — Mehri Bajoul

(74) *Attorney, Agent, or Firm* — Banner & Witcoff, Ltd.

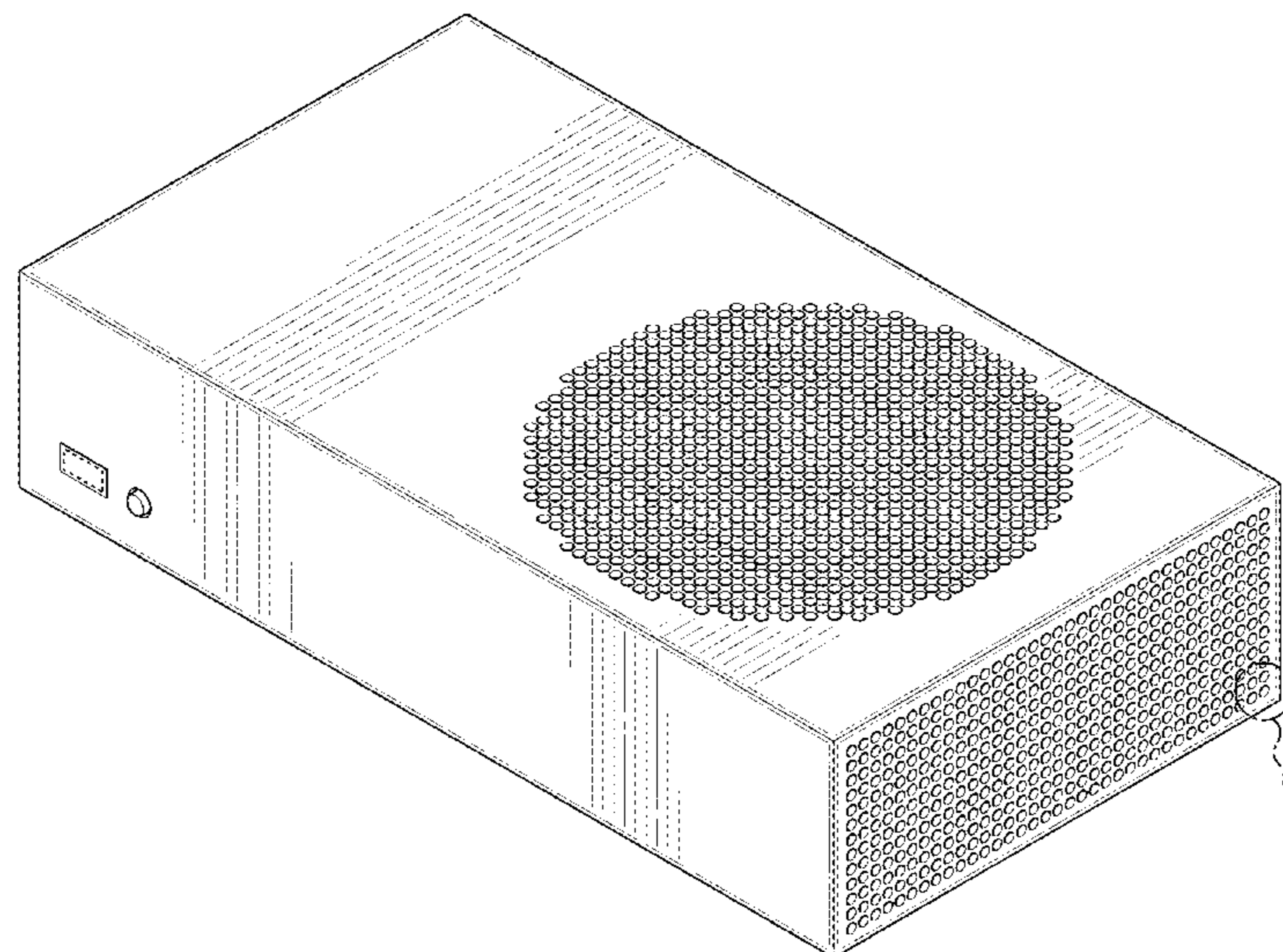
(57) **CLAIM**

The ornamental design for an electronic console, as shown and described.

DESCRIPTION

FIG. 1 is an isometric view of an electronic console showing our new design;
 FIG. 2 is a front view thereof;
 FIG. 3 is a rear view thereof;
 FIG. 4 is a left side view thereof;
 FIG. 5 is a right side view thereof;
 FIG. 6 is a top view thereof;
 FIG. 7 is a bottom view thereof;
 FIG. 8 is an enlarged view of the encircled portion labeled as 8 in FIG. 1;
 FIG. 9 is an enlarged view of the encircled portion labeled as 9 in FIG. 4;
 FIG. 10 is an enlarged view of the encircled portion labeled as 10 in FIG. 5; and,
 FIG. 11 is an enlarged view of the encircled portion labeled as 11 in FIG. 6.
 The broken lines in the drawings depict portions of the “game controller” that form no part of the claimed design. The uneven-length broken lines showing of the encircled portions in FIGS. 1, 4-6, and 8-11 show boundaries of enlarged views, and form no part of the claim design.

1 Claim, 9 Drawing Sheets



(56)

References Cited

OTHER PUBLICATIONS

U.S. PATENT DOCUMENTS

D709,134	S	*	7/2014	Dallmeyer	D21/332
D709,959	S	*	7/2014	Jacobs	D21/332
D711,258	S	*	8/2014	Jacobs	D10/70
D711,923	S	*	8/2014	Dallmeyer	D14/495
D713,420	S	*	9/2014	Dallmeyer	D14/495
D723,469	S	*	3/2015	Morris	D13/147
D782,536	S	*	3/2017	Chu	D14/496
D783,397	S	*	4/2017	Riffe	D9/434
D798,955	S	*	10/2017	Chatterjee	D21/333
D805,067	S	*	12/2017	Sparks	D14/332
D805,130	S	*	12/2017	Sparks	D21/332
D805,131	S	*	12/2017	Sparks	D21/332
D805,132	S	*	12/2017	Sparks	D21/332
D805,133	S	*	12/2017	Sparks	D21/332
D812,048	S	*	3/2018	Mazz	D14/341
D820,358	S	*	6/2018	Sparks	D21/332
D826,334	S	*	8/2018	Christie	D21/332
D826,335	S	*	8/2018	Christie	D21/332
D826,336	S	*	8/2018	Christie	D21/332
D826,337	S	*	8/2018	Christie	D21/332
D827,032	S	*	8/2018	Christie	D21/332
D839,353	S	*	1/2019	Christie	D21/332
D839,354	S	*	1/2019	Christie	D21/332
D839,355	S	*	1/2019	Christie	D21/332
D843,351	S	*	3/2019	Osborn	D14/214
D843,455	S	*	3/2019	Lee	D20/27
D844,578	S	*	4/2019	Seflic	D14/125
D867,459	S	*	11/2019	Chatterjee	D21/333

“Xbox One S Unboxing, Setup and Impressions” posted Aug. 3, 2016 [Online],[Retrieved Aug. 3, 2020], retrieved from internet: <https://www.youtube.com/watch?v=OcUCmwGyuzl>.*

“Office Action Issued in Malaysian Patent Application No. 19-01489-0101”, dated Jan. 31, 2020, 3 Pages. (MS# 406685-MY-RD).

“Office Action Issued in Brazilian Patent Application No. BR302019005747-6”, dated Jun. 9, 2020, 02 Pages. (MS# 406685-MY-RD).

“Examination Report Issued in Indian Patent Application No. 323905-001”, dated Dec. 27, 2019, 2 Pages. (MS# 406685-IN-RD).

“Office Action Issued in PCT Application No. WIPO89601”, dated Jan. 29, 2020, 3 Pages. (MS# 406685-WO-D60).

“Office Action Issued in PCT Application No. WIPO89603”, dated Jan. 29, 2020, 3 pages. (MS# 406685-WO-D60[2]).

“Office Action Issued in PCT Application No. WIPO89604”, dated Jan. 29, 2020, 3 Pages. (MS# 406685-WO-D60[3]).

“Office Action Issued in PCT Application No. WIPO89605”, dated Jan. 29, 2020, 3 Pages. (MS# 406685-WO-D60[4]).

“Office Action Issued in Mexican Patent Application No. MX/f/2019/003246”, dated Dec. 18, 2019, 5 Pages. (MS# 406687-MX-RD).

“Office Action Issued in Mexican Patent Application No. MX/f/2019/003247”, dated Dec. 18, 2019, 5 Pages. (MS# 406686-MX-RD).

“Office Action Issued in Malaysian Patent Application No. 19-01490-0101”, dated Jan. 30, 2020, 1 Page. (MS# 406686-MY-RD)(W/O English Translation).

* cited by examiner

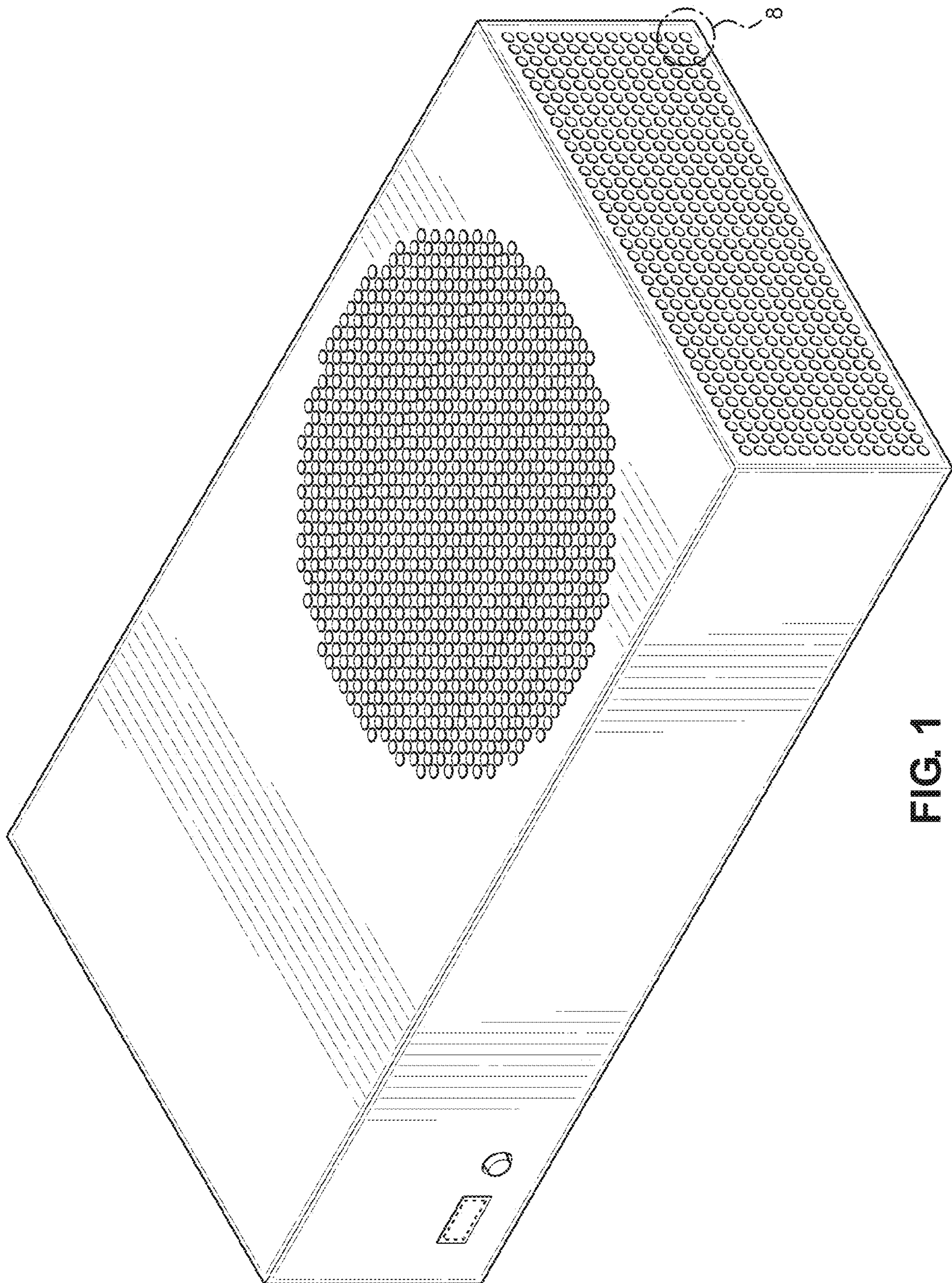


FIG. 1

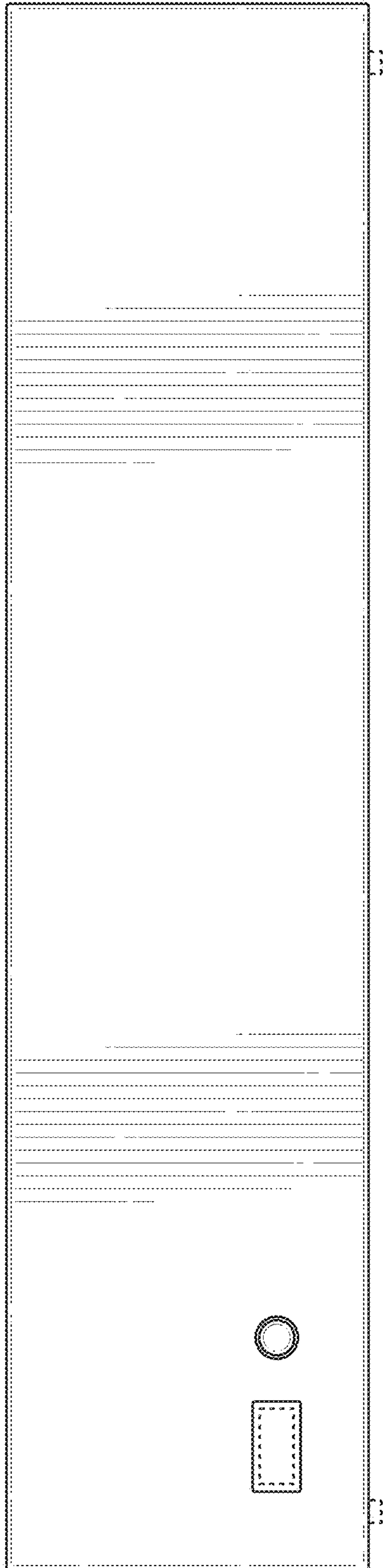


FIG. 2

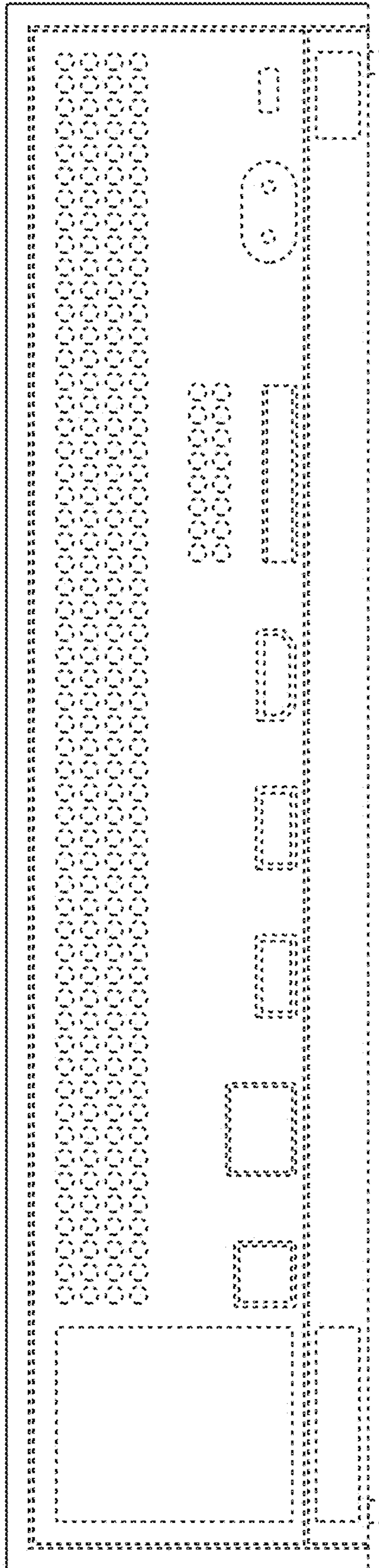


FIG. 3

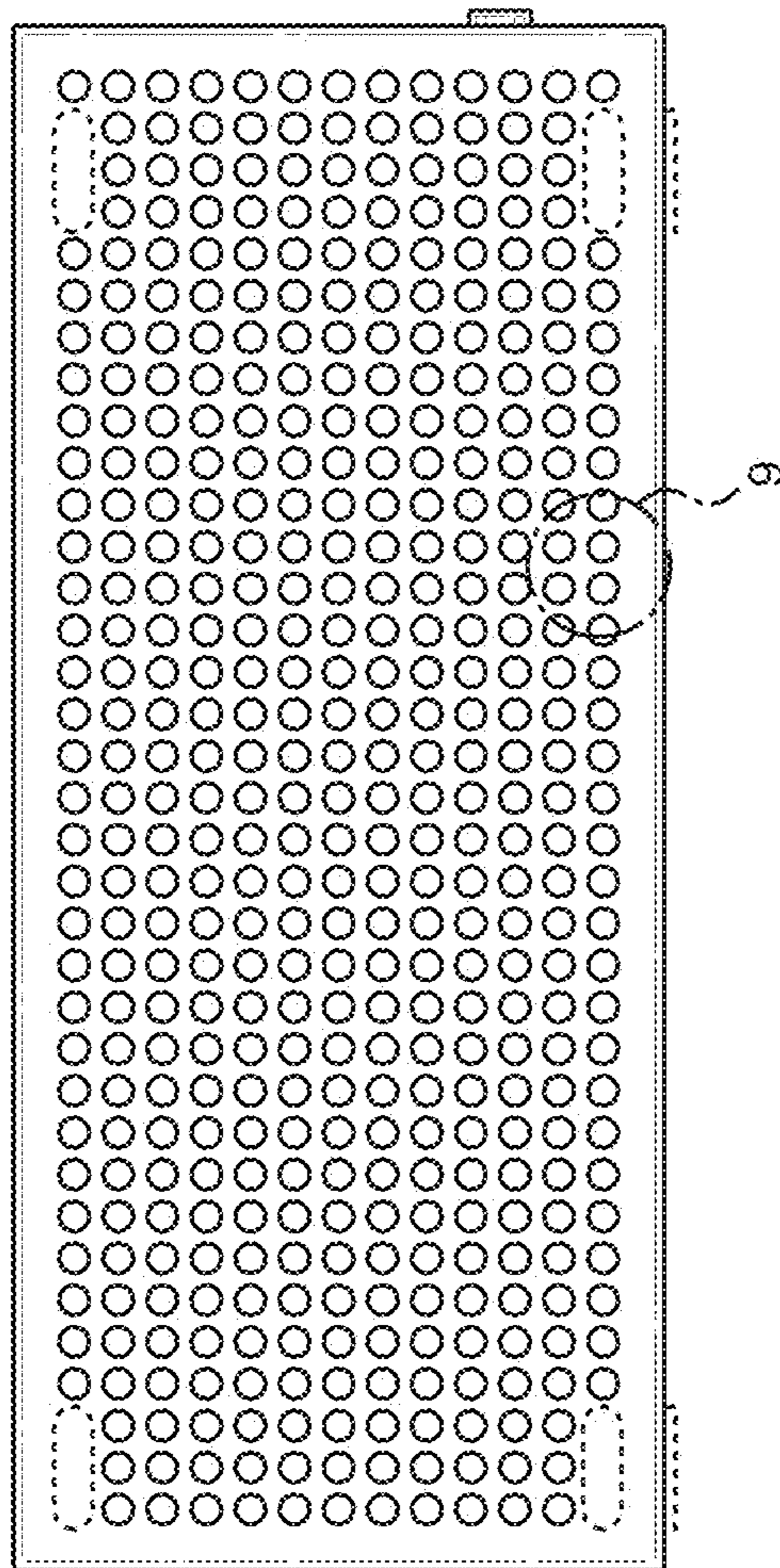


FIG. 4

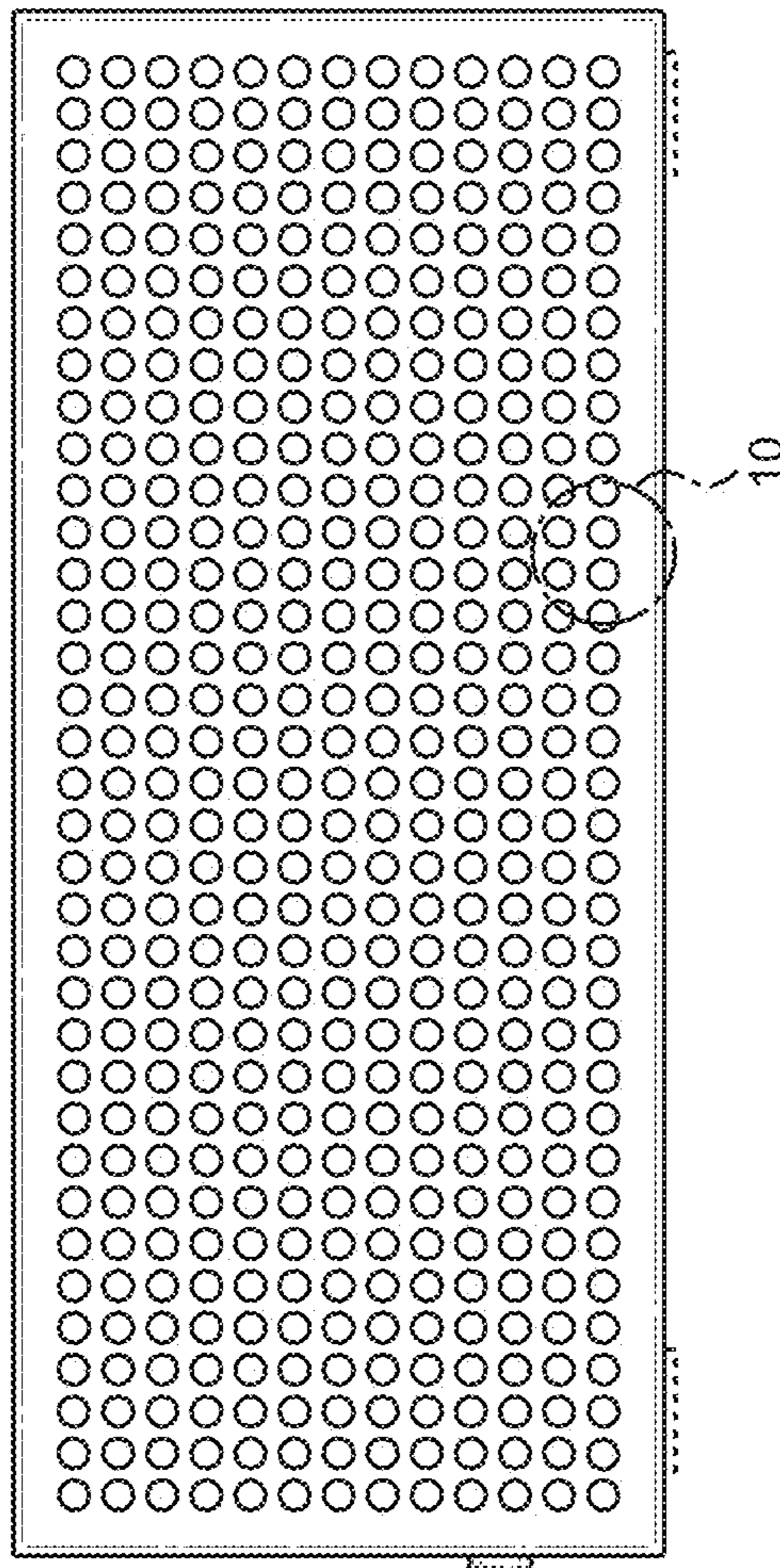


FIG. 5

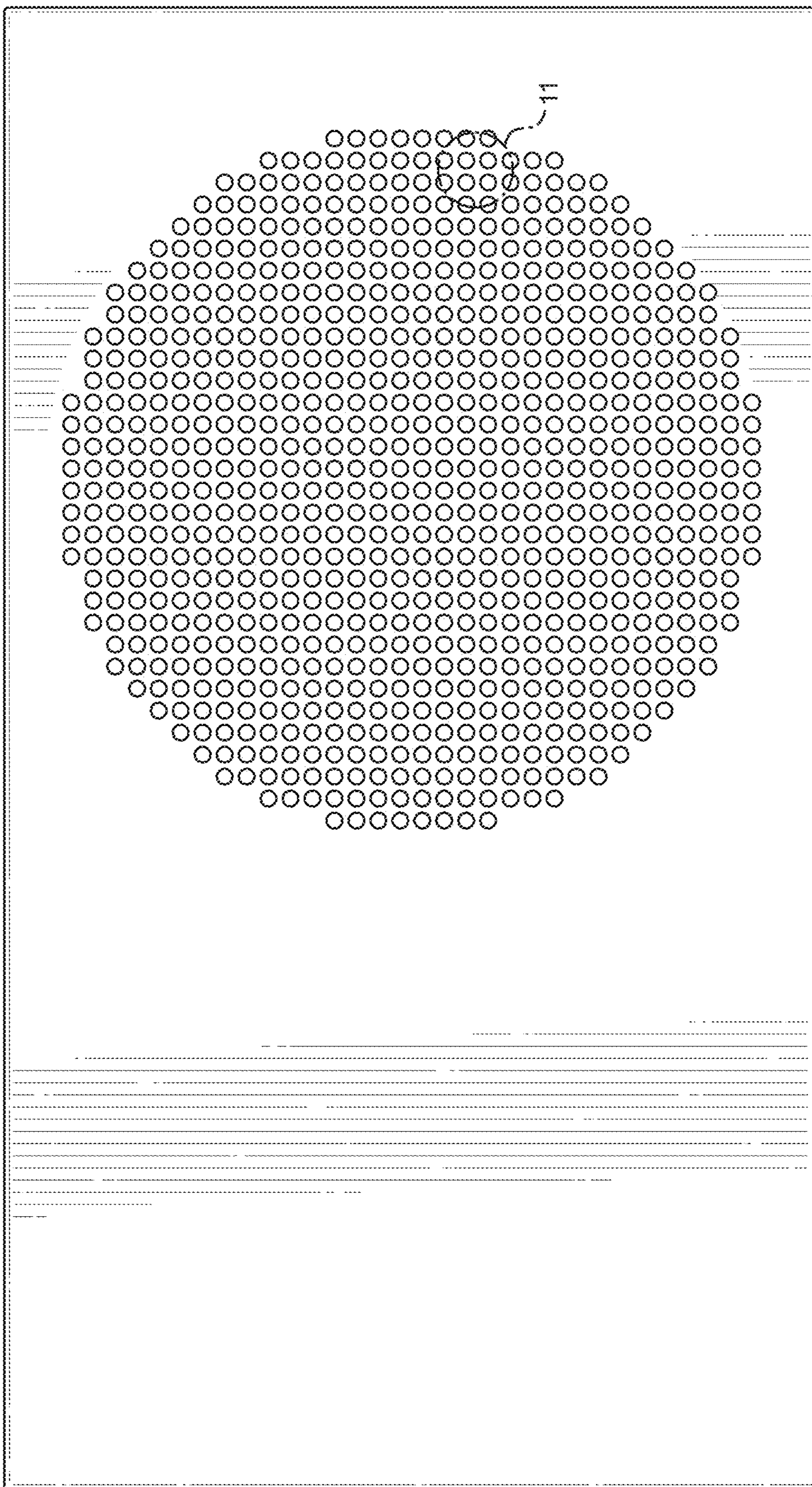


FIG. 6

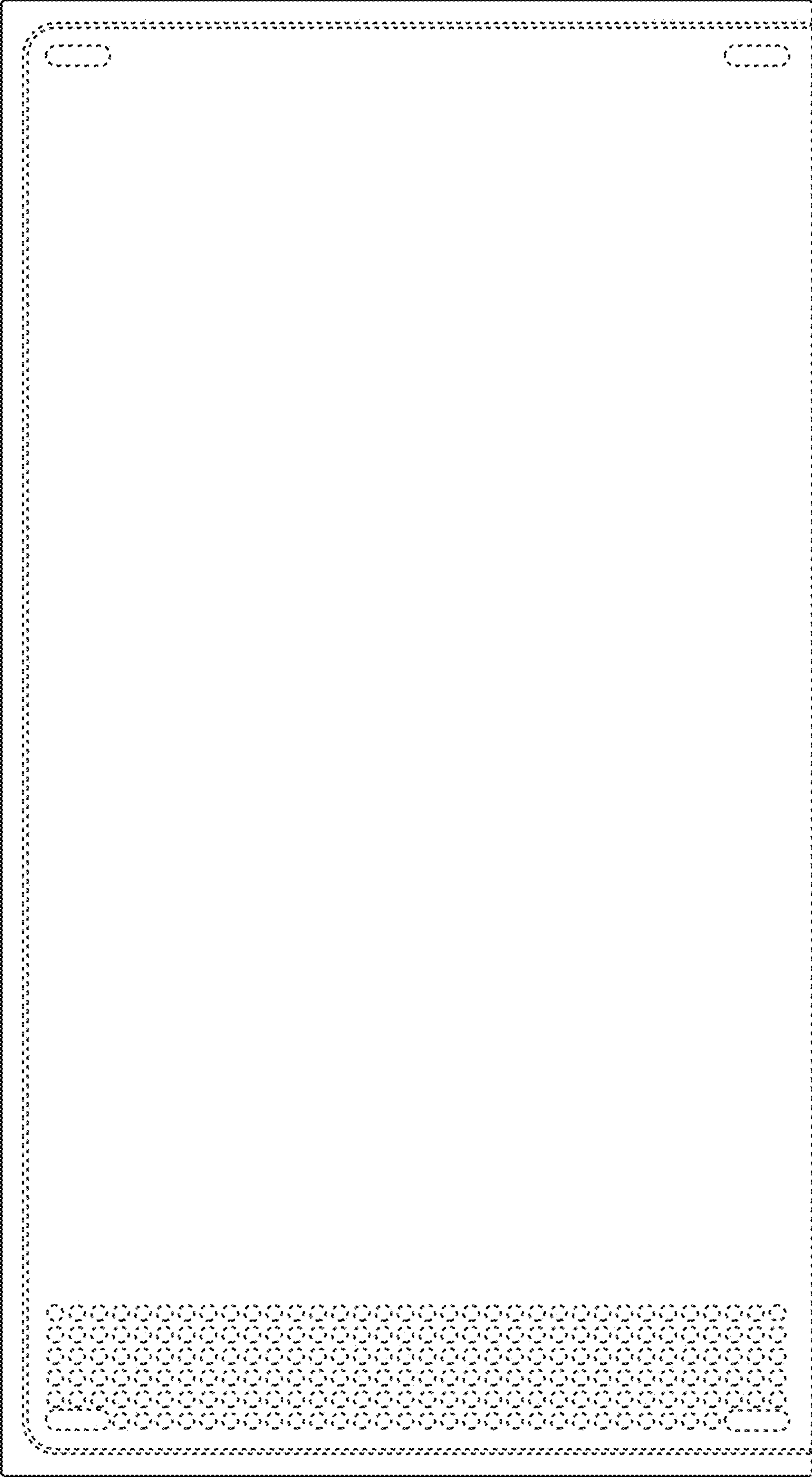


FIG. 7

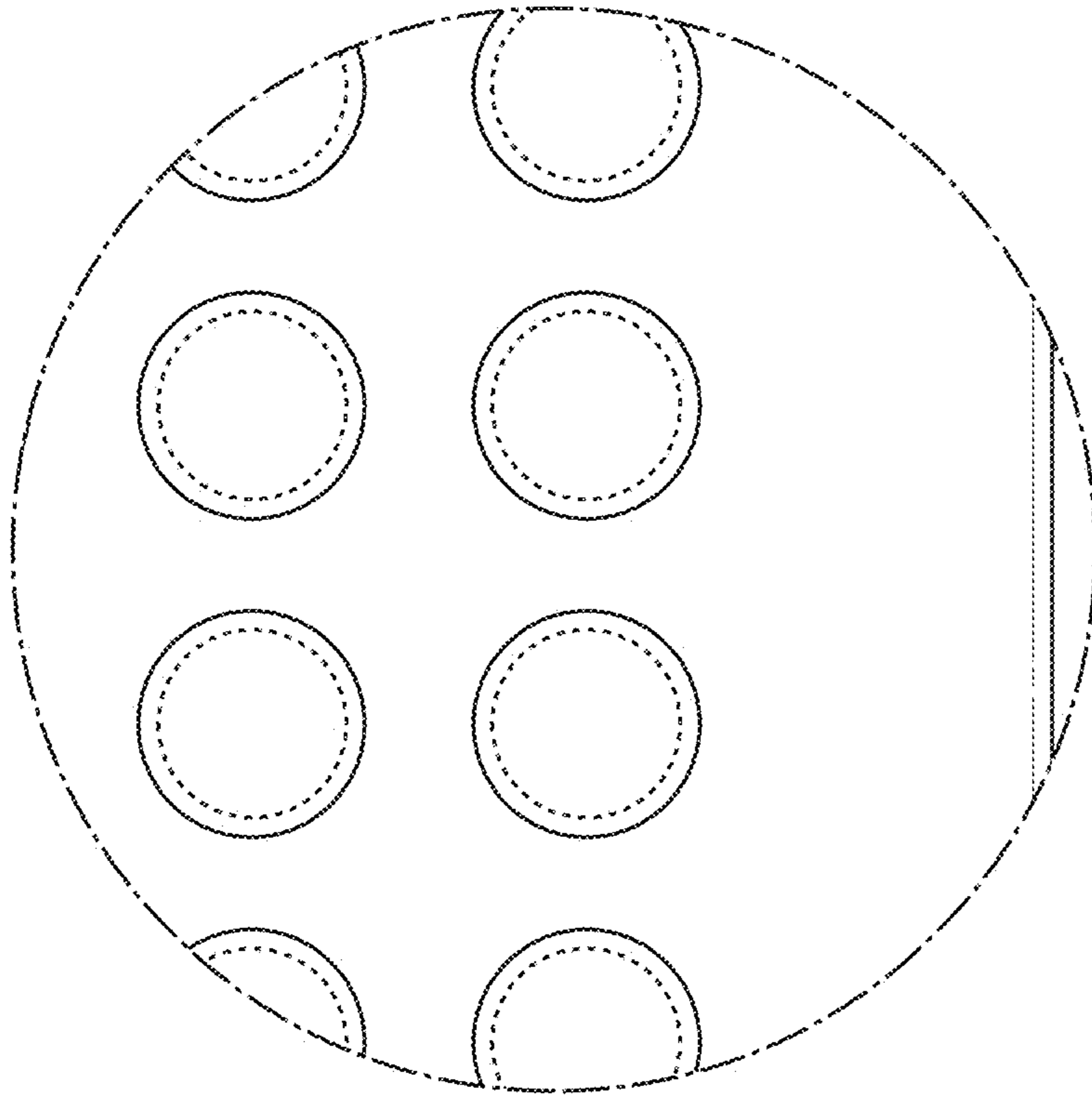


FIG. 9

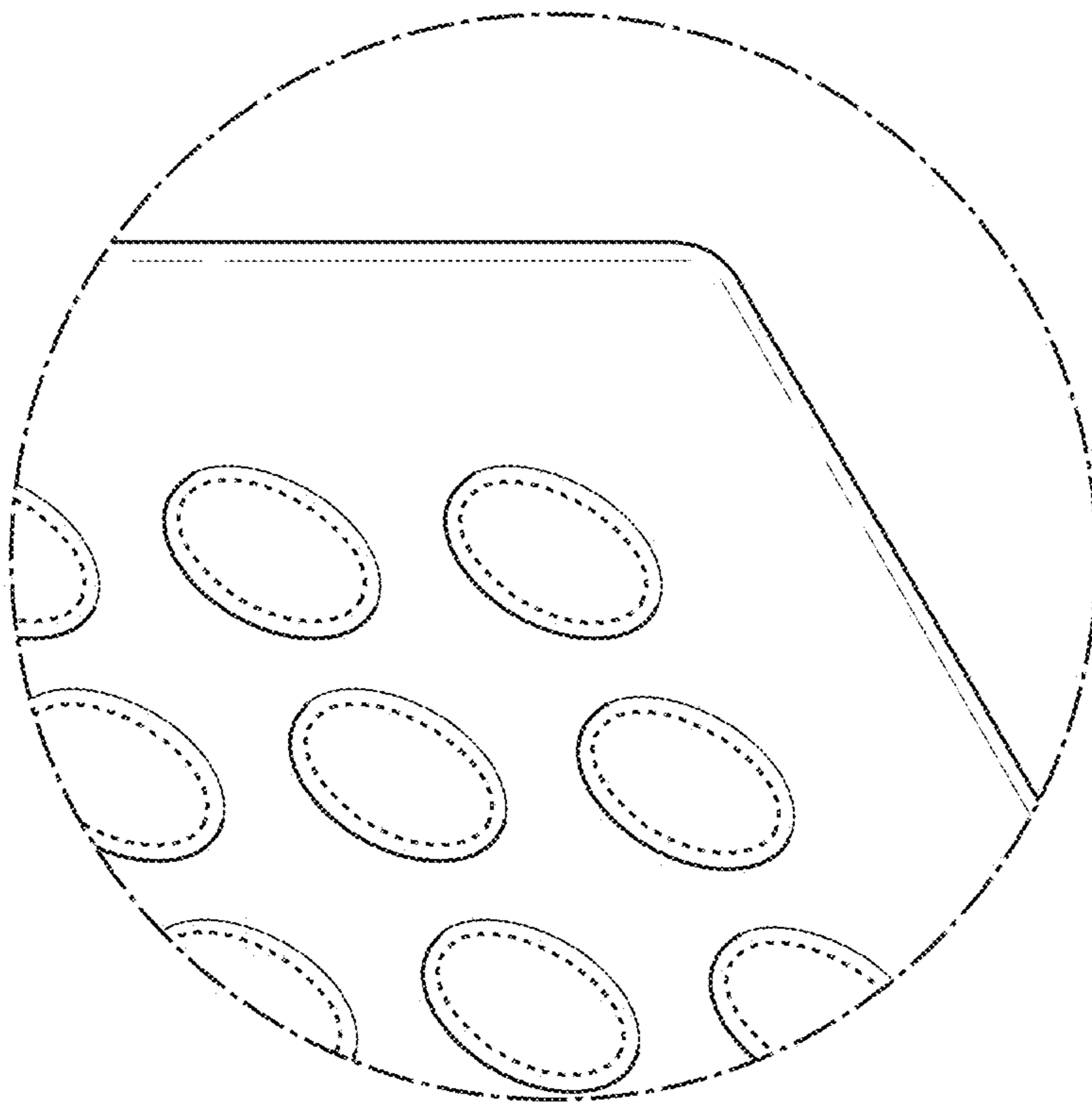


FIG. 8

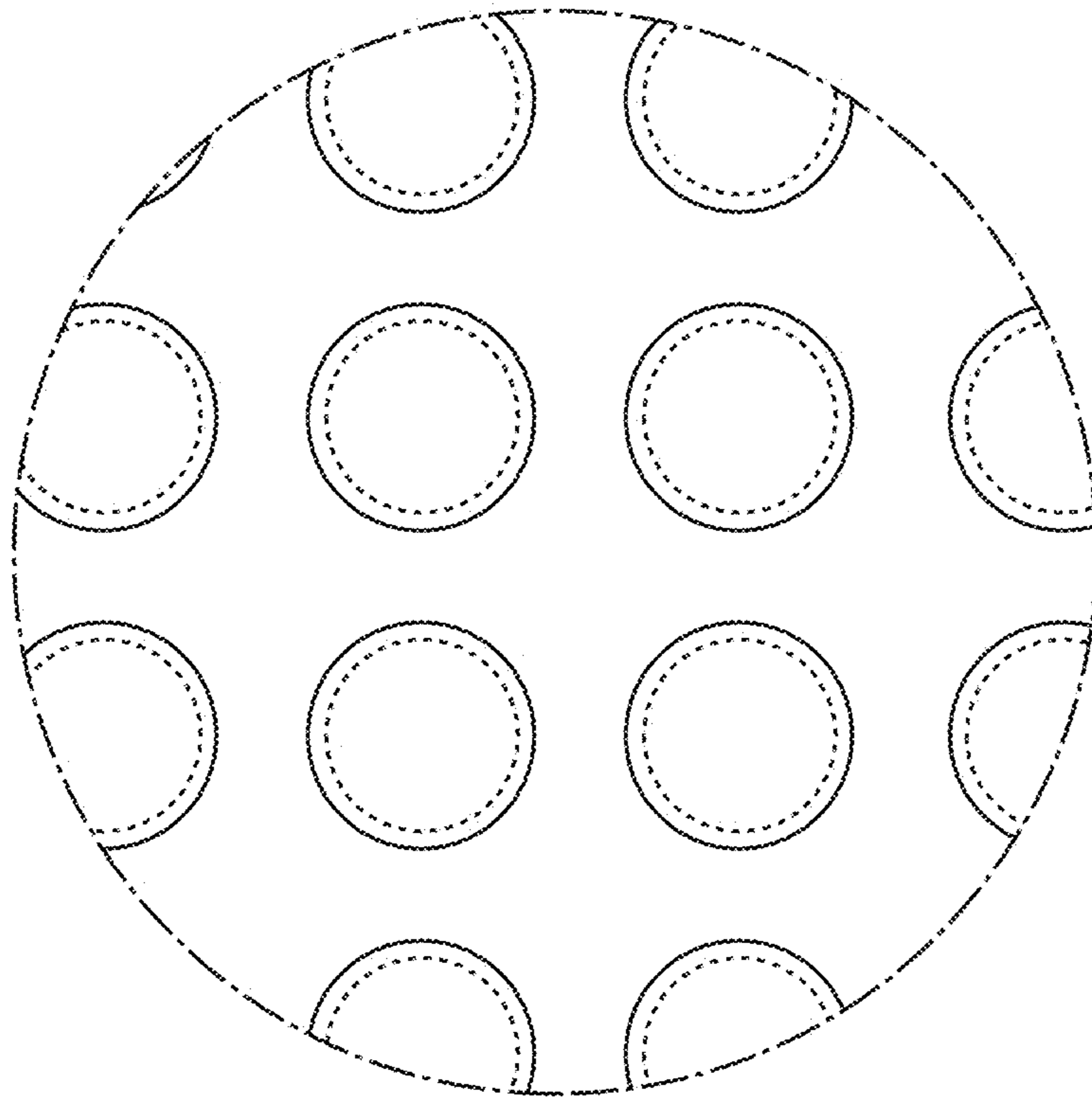


FIG. 11

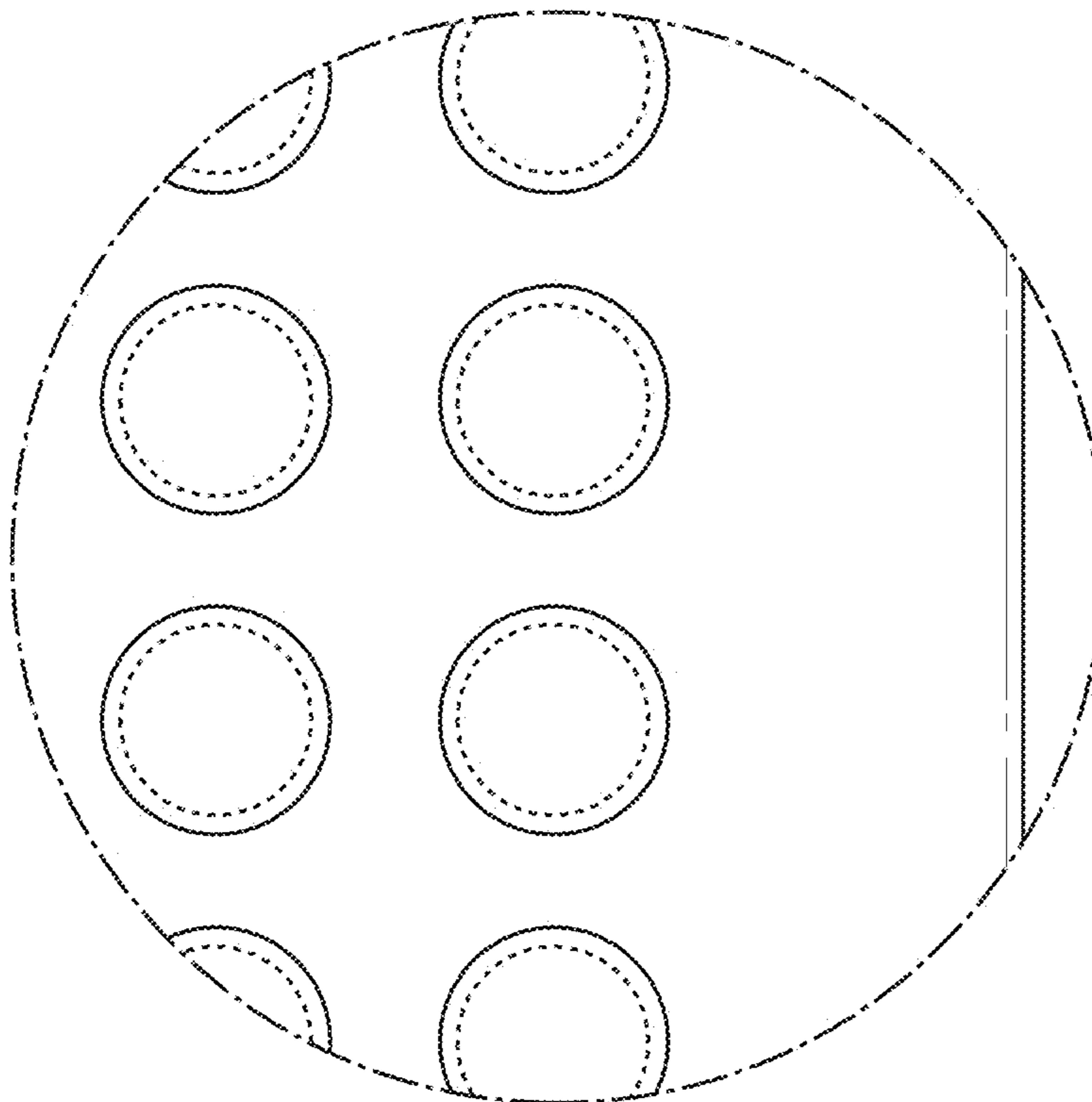


FIG. 10