



US00D905160S

(12) **United States Design Patent** (10) **Patent No.:** **US D905,160 S**
Larsen et al. (45) **Date of Patent:** **** Dec. 15, 2020**

(54) **DISPLAY FIXTURE WITH HANGING SIGN**

(71) Applicant: **TARGET BRANDS, INC.**,
Minneapolis, MN (US)

(72) Inventors: **Selina Larsen**, Minneapolis, MN (US);
Dan Smith, La Grange Park, IL (US)

(73) Assignee: **TARGET BRANDS, INC.**,
Minneapolis, MN (US)

(**) Term: **15 Years**

(21) Appl. No.: **29/741,621**

(22) Filed: **Jul. 14, 2020**

(51) **LOC (12) Cl.** **20-03**

(52) **U.S. Cl.**
USPC **D20/42; D6/672**

(58) **Field of Classification Search**
USPC D5/8, 9, 20, 21; D9/702, 711, 712;
D10/104.1, 104.2, 109.1, 109.2, 113.4,
D10/114.1; D11/165, 166, 181, 182;
D14/488, 495; D18/27, 32, 33; D19/1,
D19/2, 6, 7, 8, 20, 65, 75, 84, 90, 91;
D20/10, 11, 22-42, 99; D6/300, 310,
D6/311, 312, 313, 314, 672, 675, 675.1,
D6/675.3, 675.4, 681
CPC G09F 2003/0208; G09F 7/02; G09F 7/14;
G09F 7/165; G09F 13/06; G09F 13/16;
G09F 19/08; G09F 2019/081; G09F
2019/083; G09F 2019/085; G09F
2019/086; G09F 2019/088; G09F 1/06;
G09F 1/14; A47B 23/042; A47B 23/043;
A47F 5/10; A47F 5/11; A47F 5/112;
B65D 5/522; B65D 5/44; B65D 5/52;
B65D 5/5206

See application file for complete search history.

(56) **References Cited**

U.S. PATENT DOCUMENTS

113,403 A 4/1871 Crane
495,736 A 4/1893 Hoffman

3,998,332 A * 12/1976 Lambertson A47F 5/0838
211/71.01
D268,570 S * 4/1983 Wagman D11/132
D351,863 S * 10/1994 Sarkisian D20/41
5,615,783 A * 4/1997 Warnken B68C 1/002
211/104
5,660,637 A * 8/1997 Dodge B05B 13/0285
118/500
D396,065 S * 7/1998 Johnson D20/10
(Continued)

OTHER PUBLICATIONS

“Levis Sizes and Styles on S-Hooks”, printed from www.fixturescloseup.com/2015/11/16/levis-sizes-and-styles-on-s-hooks/, publicly available at least as early as Nov. 2015 (15 pages).

(Continued)

Primary Examiner — Mary Ann Calabrese

Assistant Examiner — Catherine Ho

(74) *Attorney, Agent, or Firm* — JoAnn M. Seaton;
Griffiths & Seaton PLLC

(57) **CLAIM**

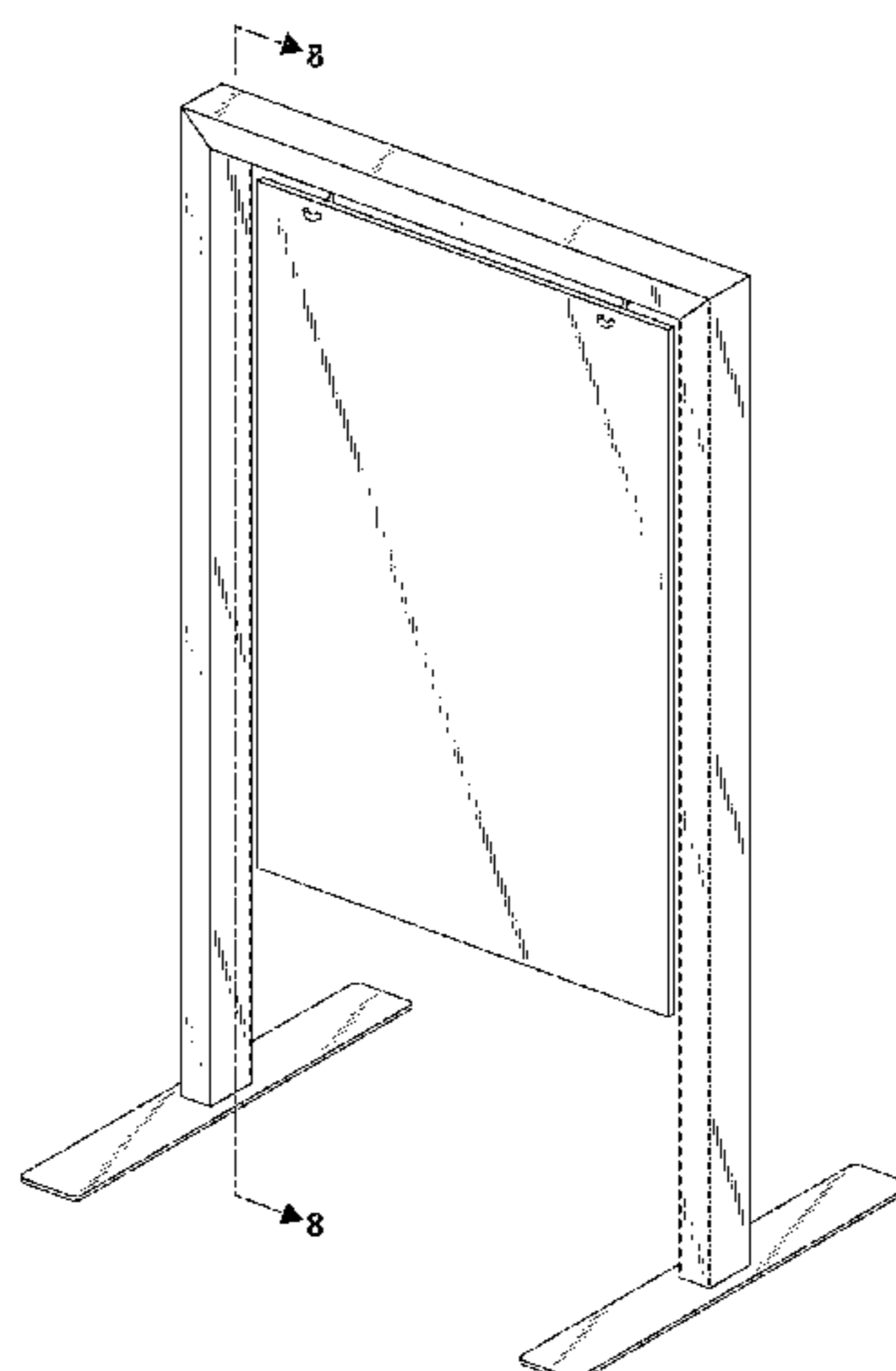
The ornamental design for a display fixture with hanging sign, as shown and described.

DESCRIPTION

FIG. 1 is a top, front perspective view of a display fixture with hanging sign showing our new design;
FIG. 2 is a front view thereof;
FIG. 3 is a rear view thereof;
FIG. 4 is a right side view thereof;
FIG. 5 is a left side view thereof;
FIG. 6 is a top view thereof;
FIG. 7 is a bottom view thereof; and,
FIG. 8 is a cross sectional view taken along the line 8-8 in FIG. 1.

The broken line hatching in the cross sectional view forms no part of the claimed design.

1 Claim, 6 Drawing Sheets



(56)

References Cited

U.S. PATENT DOCUMENTS

5,906,064 A 5/1999 Field
D466,331 S * 12/2002 Chang D6/681.1
D503,748 S * 4/2005 Crawford D20/41
7,086,190 B2 8/2006 Voluckas
D579,983 S * 11/2008 Milne D20/39
D600,046 S * 9/2009 Kelsen D6/681.1
D608,830 S * 1/2010 Taylor D20/10
D616,029 S * 5/2010 Maier-Hunke D20/10
7,895,784 B1 3/2011 Clark et al.
D660,051 S * 5/2012 Lin D6/681.1
D704,973 S * 5/2014 Denby D6/708
D708,459 S * 7/2014 Heirakuji D6/675
8,959,813 B2 * 2/2015 Denby G09F 15/0056
40/606.03
D735,412 S * 7/2015 Coleman D28/61
9,119,487 B2 9/2015 Angvall et al.
D742,455 S 11/2015 Denby et al.
D745,794 S 12/2015 Knoll et al.
D759,407 S 6/2016 Denby
D806,797 S * 1/2018 Irek D20/10
2005/0160648 A1 7/2005 Voluckas
2011/0277363 A1 11/2011 Dukes et al.

OTHER PUBLICATIONS

“30×40 Swinging Silver Metal Sidewalk Sign Holder”, printed from www.displays2go.com/P-37139/30x40-Black-Metal-Outdoor-Swinging-Sign-Frame-Weighted-T-Base, publicly available at least as early as Mar. 17, 2020 (2 pages).

“John Bartlett Exclusive S-Hooks”, printed from www.fixturescloseup.com/2015/11/John-bartlett-exclusive-s-hooks/, publicly available at least as early as Nov. 2015 (14 pages).

* cited by examiner

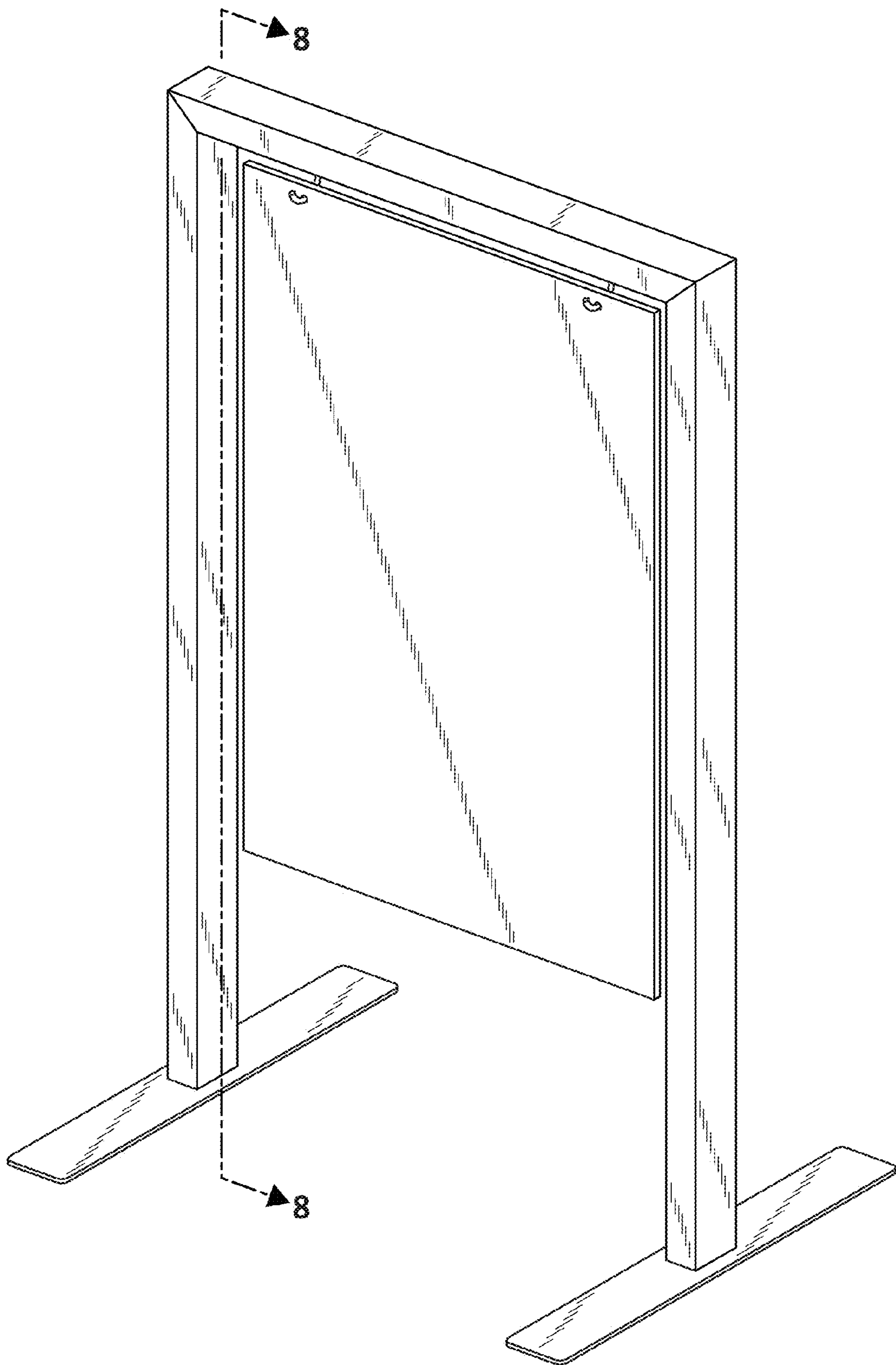


FIG. 1

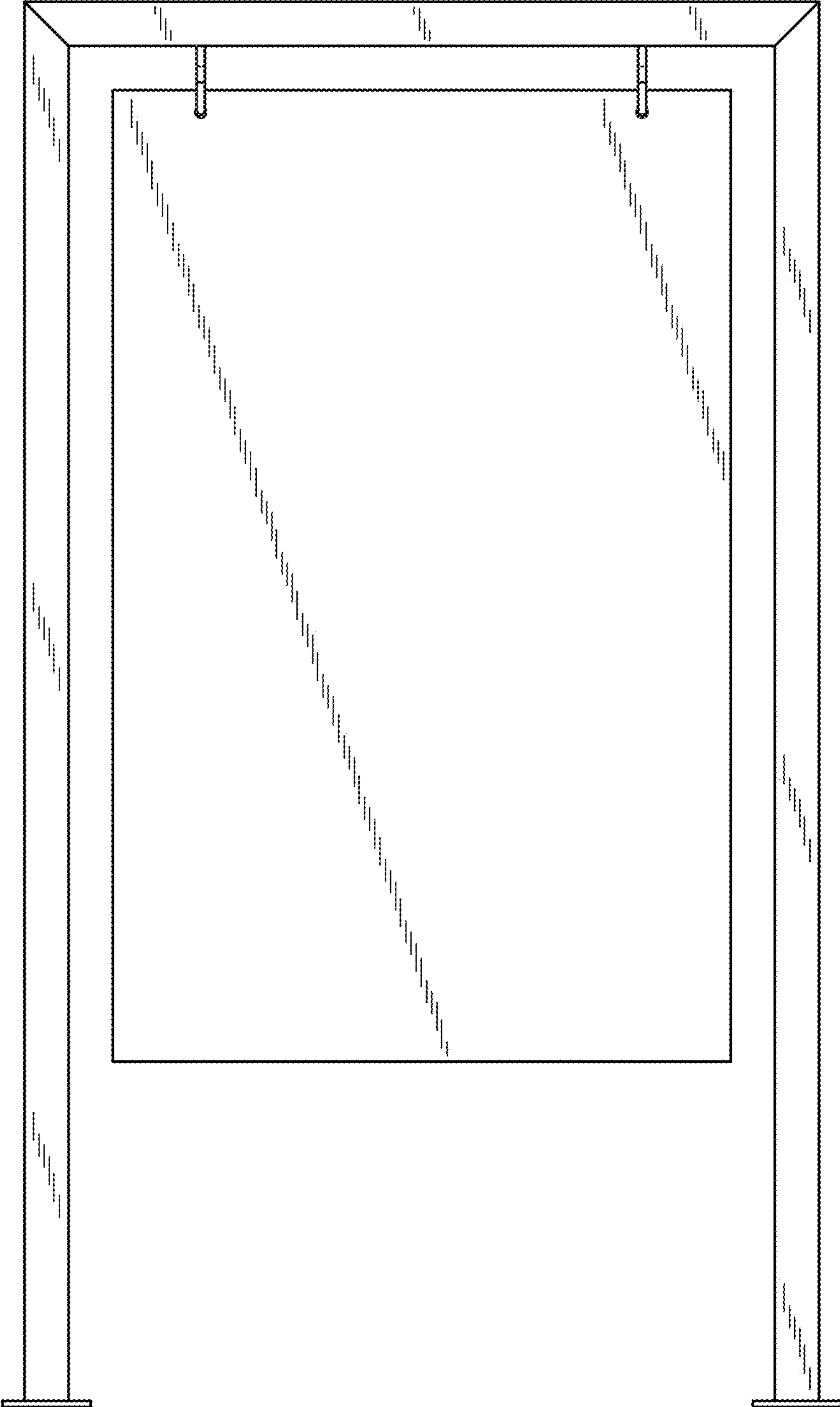


FIG. 2

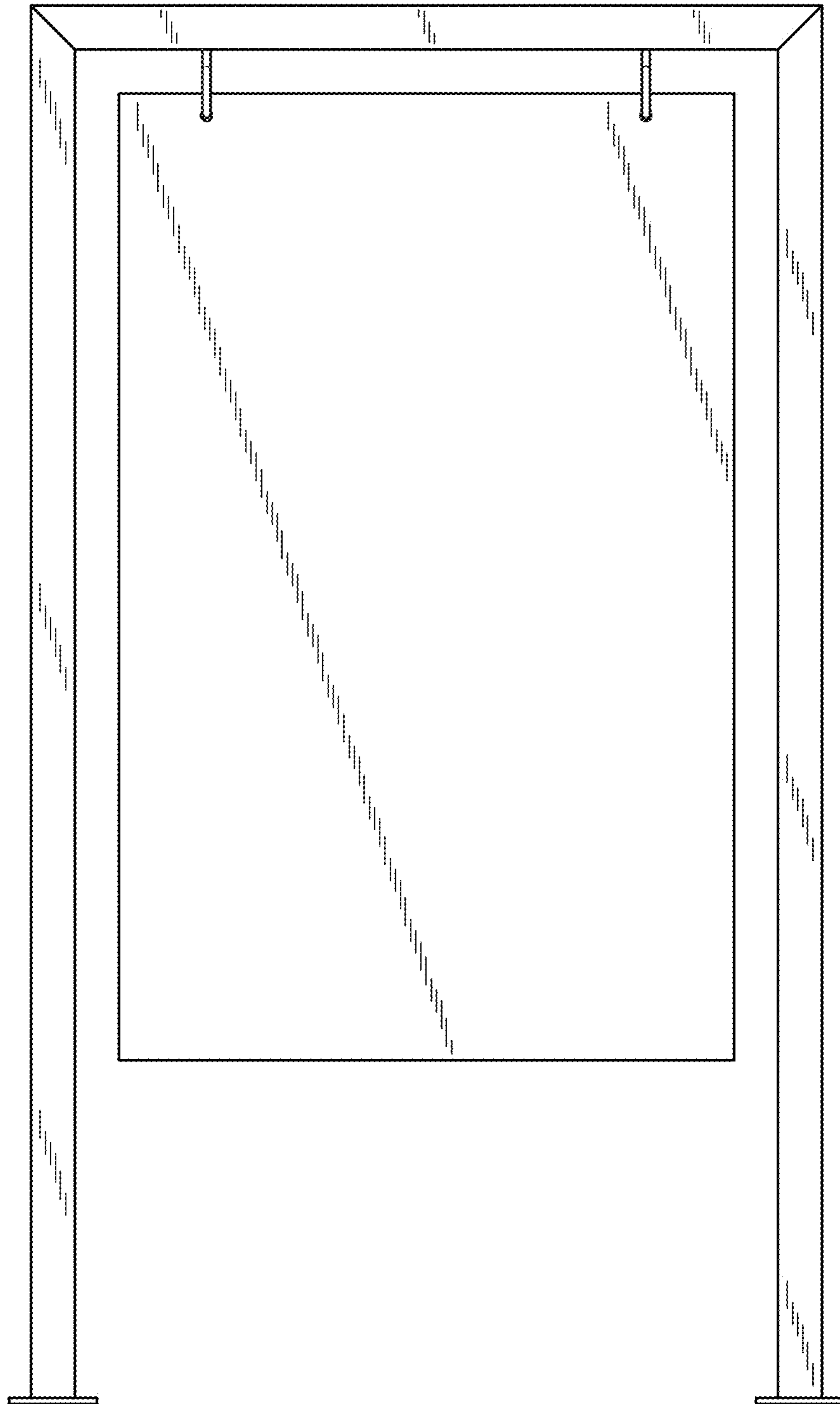


FIG. 3

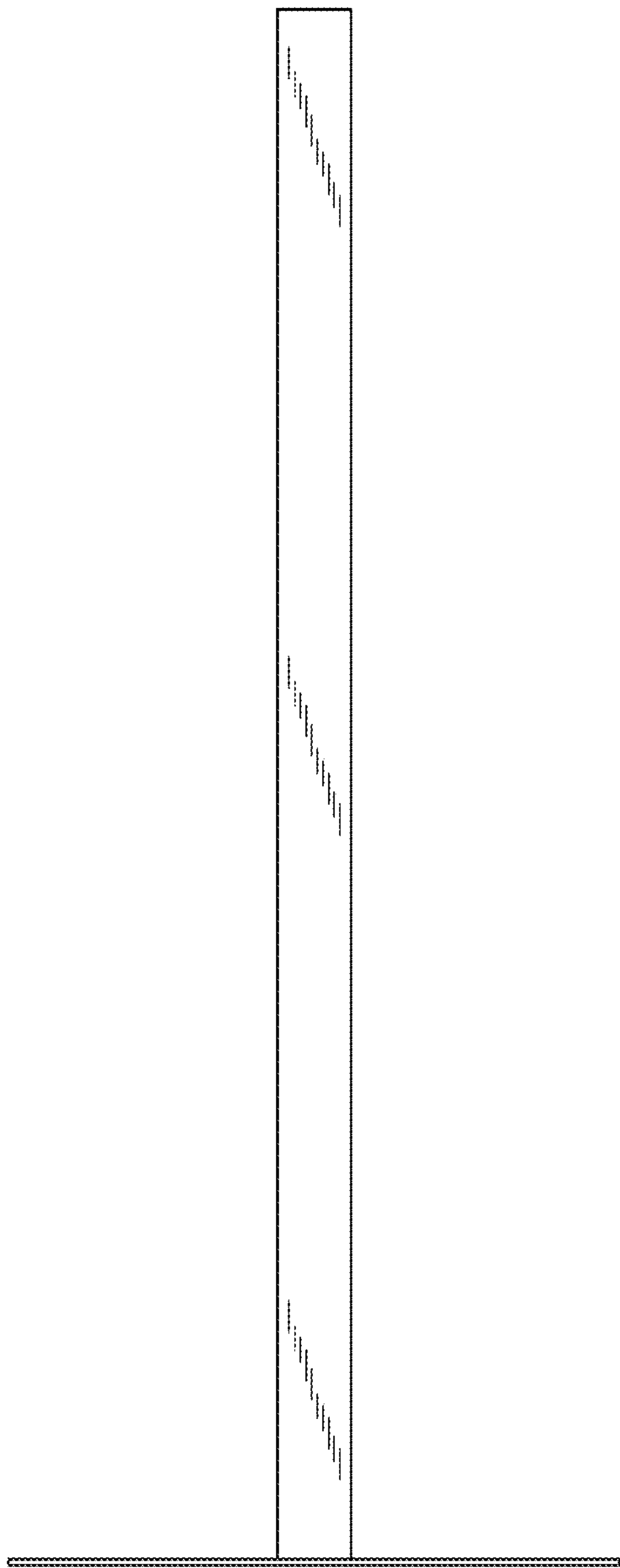


FIG. 4

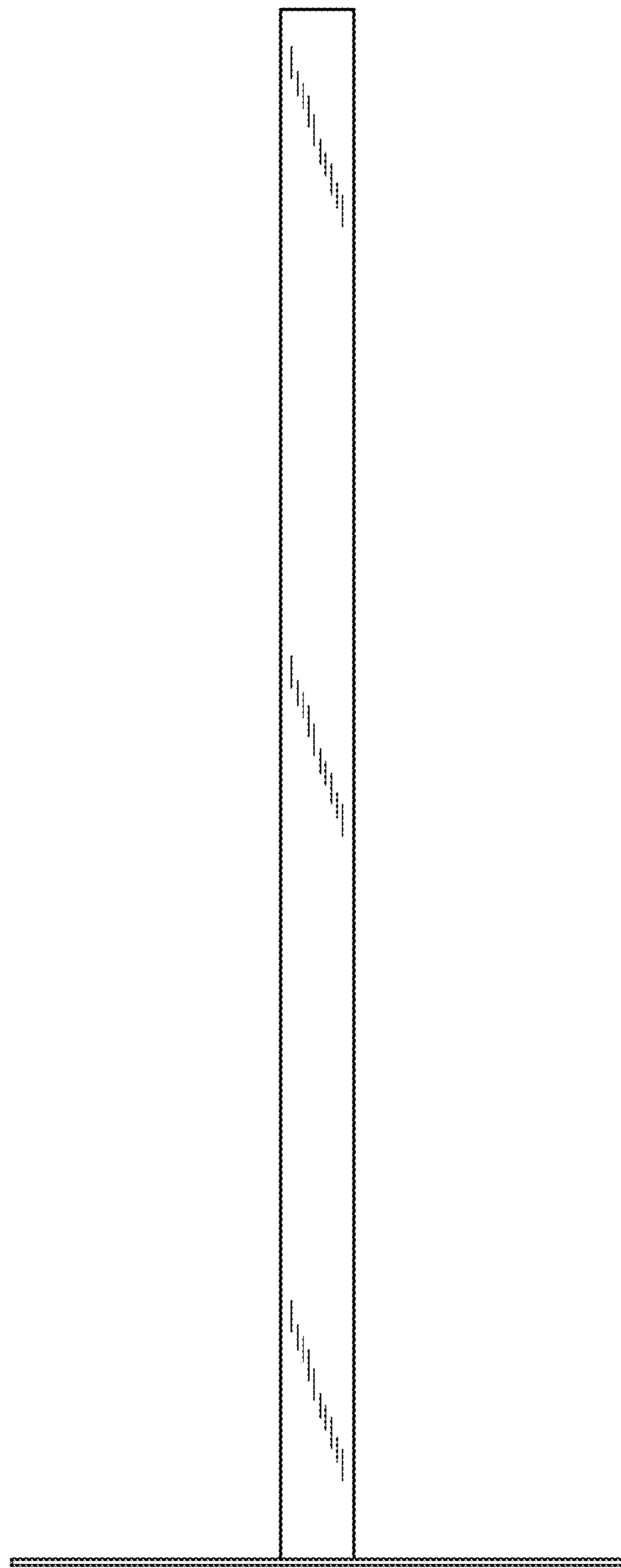


FIG. 5

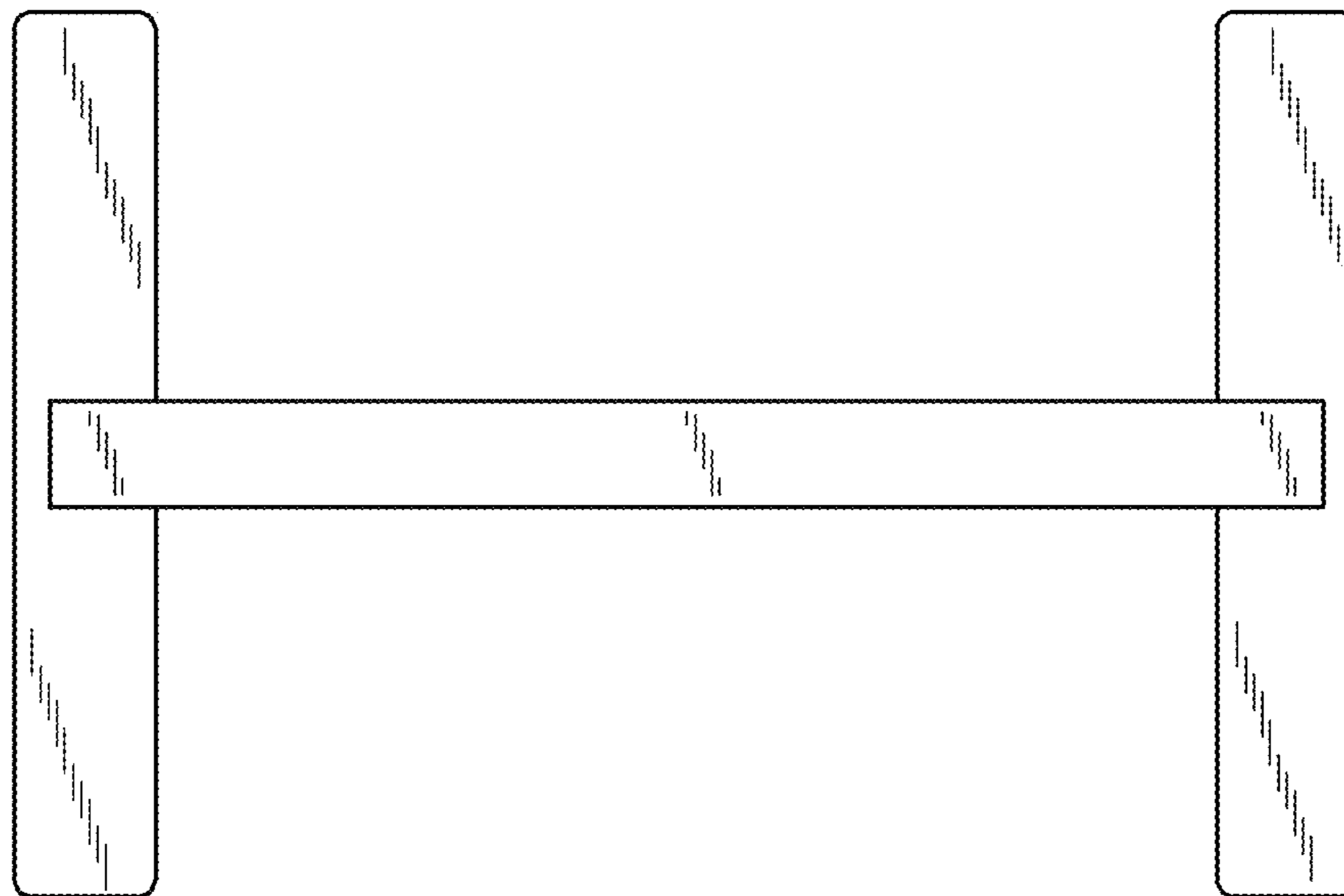


FIG. 6

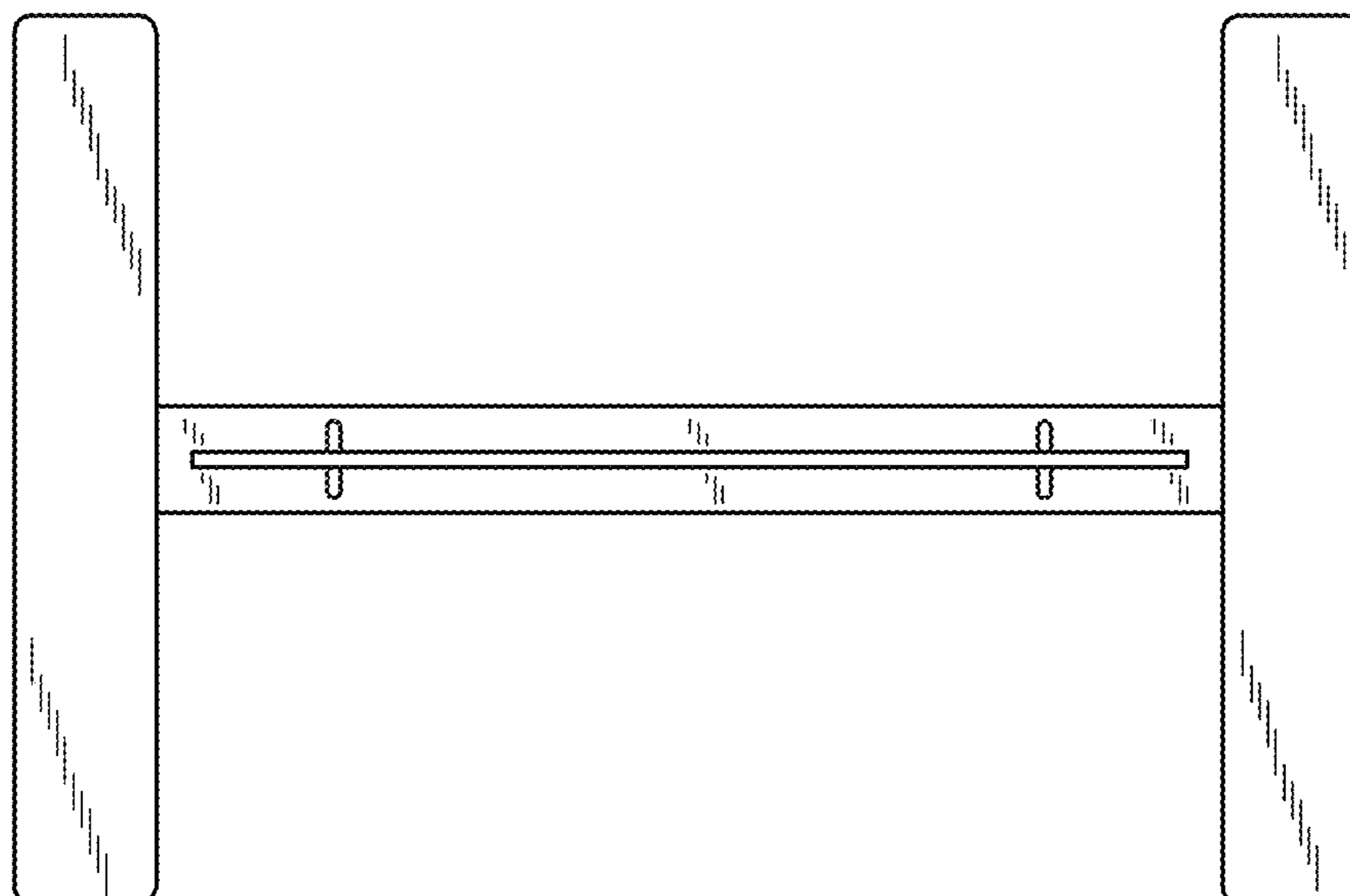


FIG. 7

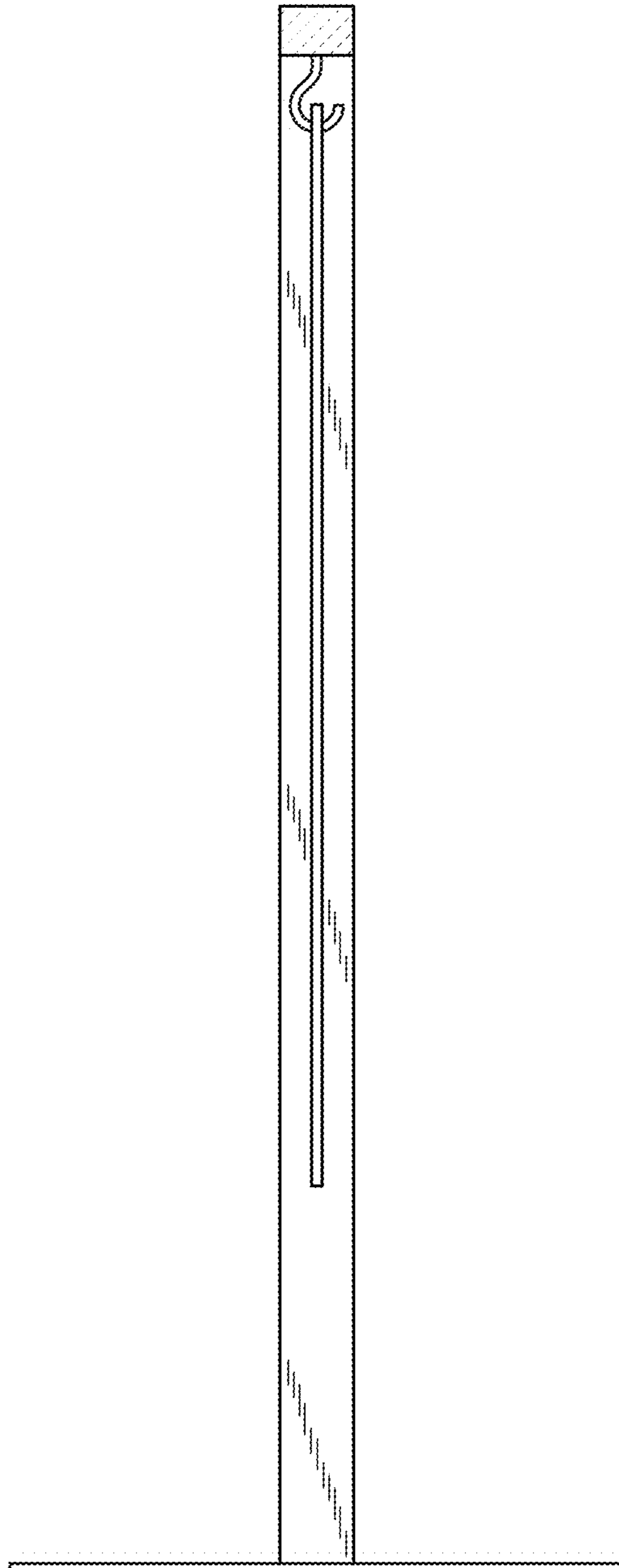


FIG. 8