



US00D905151S

(12) **United States Design Patent** (10) **Patent No.:** **US D905,151 S**
Peterson (45) **Date of Patent:** **** Dec. 15, 2020**

(54) **PHOTOGRAPHIC LIGHTING APPARATUS**
(71) Applicant: **Shutterfly, LLC**, Roseville, MN (US)
(72) Inventor: **Trygve D. Peterson**, Savage, MN (US)
(73) Assignee: **Shutterfly, LLC**, Roseville, MN (US)
(**) Term: **15 Years**
(21) Appl. No.: **29/728,962**
(22) Filed: **Mar. 23, 2020**

4,690,637 A 9/1987 Brower
6,000,859 A * 12/1999 Mulcahy G03B 15/05
396/422
D428,661 S * 7/2000 Norman D26/63
D527,756 S * 9/2006 Parker D16/242
D552,658 S * 10/2007 Moore D16/242
7,896,509 B2 3/2011 Gallagher
8,128,247 B2 3/2012 Portmann
8,376,602 B2 2/2013 Klipstein
D778,974 S * 2/2017 Masek, Jr. D16/239
D808,458 S * 1/2018 Kim D16/242

* cited by examiner

Primary Examiner — Brian N. Vinson
(74) *Attorney, Agent, or Firm* — Merchant & Gould P.C.

Related U.S. Application Data

(60) Division of application No. 29/686,810, filed on Apr. 8, 2019, now Pat. No. Des. 884,777, which is a division of application No. 29/614,307, filed on Aug. 17, 2017, now Pat. No. Des. 852,260, which is a continuation-in-part of application No. 15/435,377, filed on Feb. 17, 2017, now Pat. No. 10,274,811.

(57) **CLAIM**

The ornamental design for a photographic lighting apparatus, as shown and described.

(51) **LOC (12) Cl.** **16-01**
(52) **U.S. Cl.**
USPC **D16/239**

DESCRIPTION

FIG. 1 is a front isometric view of the photographic lighting apparatus;
FIG. 2 is a rear isometric view thereof;
FIG. 3 is front view thereof;
FIG. 4 is a rear view thereof;
FIG. 5 is a right side view thereof;
FIG. 6 is a left side view thereof;
FIG. 7 is a top view thereof;
FIG. 8 is a bottom view thereof;
FIG. 9 is a cross-sectional view taken along line 9-9 shown in FIG. 7; and,
FIG. 10 is a cross-sectional view taken along line 10-10 shown in FIG. 5.

(58) **Field of Classification Search**
USPC D26/1, 24, 51, 52, 60, 63, 67, 138, 141, D26/145; D16/239, 240, 242
CPC .. G03B 21/20; G03B 21/2013; G03B 15/041; G03B 15/07; G03B 15/042; G03B 15/03; G03B 15/05; G02B 15/02
See application file for complete search history.

The broken lines in the drawings represent portions of the photographic lighting apparatus that form no part of the claimed design. The area between the sets of wavy broken lines forms no part of the claimed design.

(56) **References Cited**

U.S. PATENT DOCUMENTS

3,550,519 A * 12/1970 Lewis G03B 15/03
396/422
3,763,366 A 10/1973 Bahnsen
3,941,922 A 3/1976 Blount
D268,270 S * 3/1983 Ostlund D16/240

1 Claim, 10 Drawing Sheets

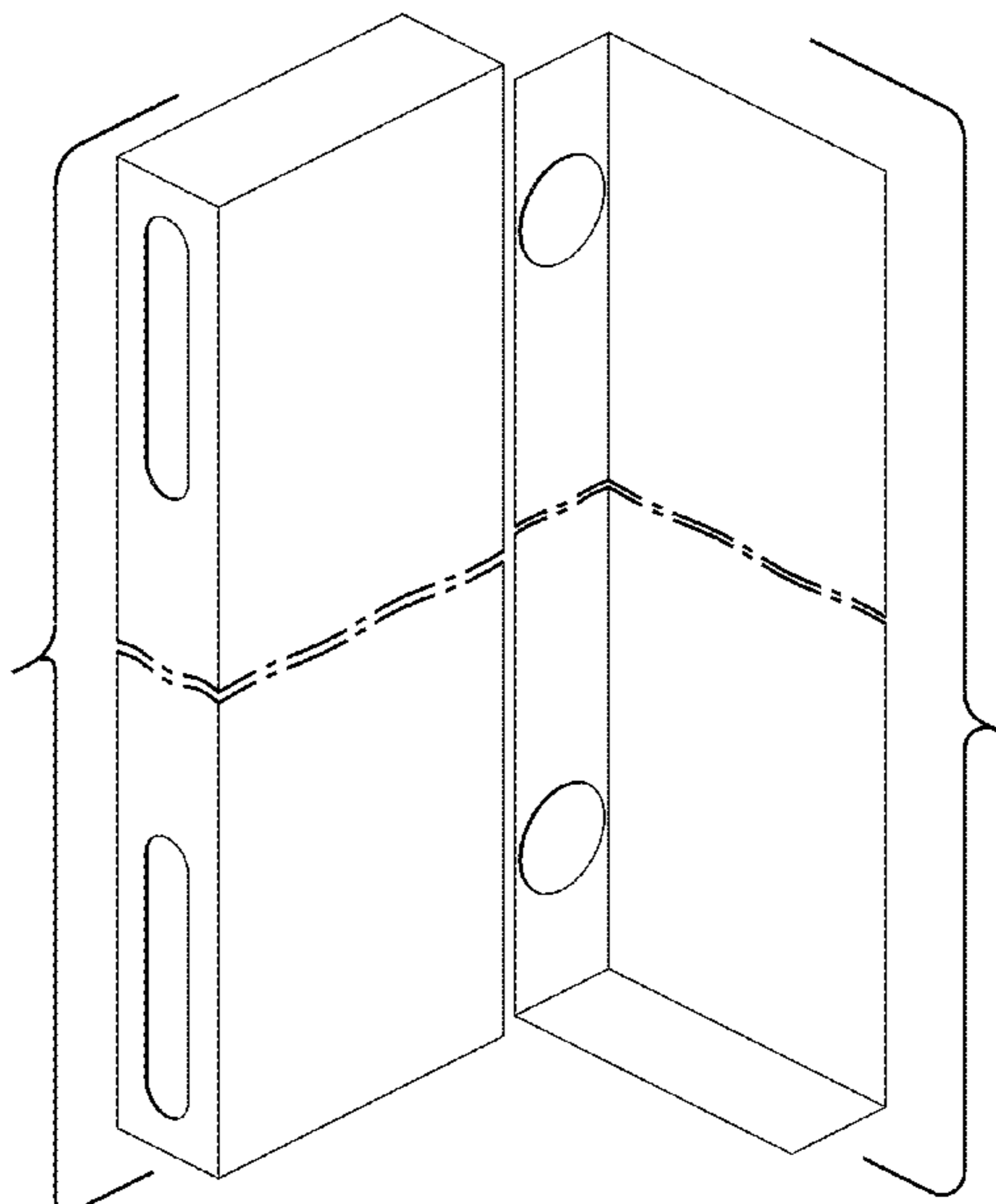


FIG. 1

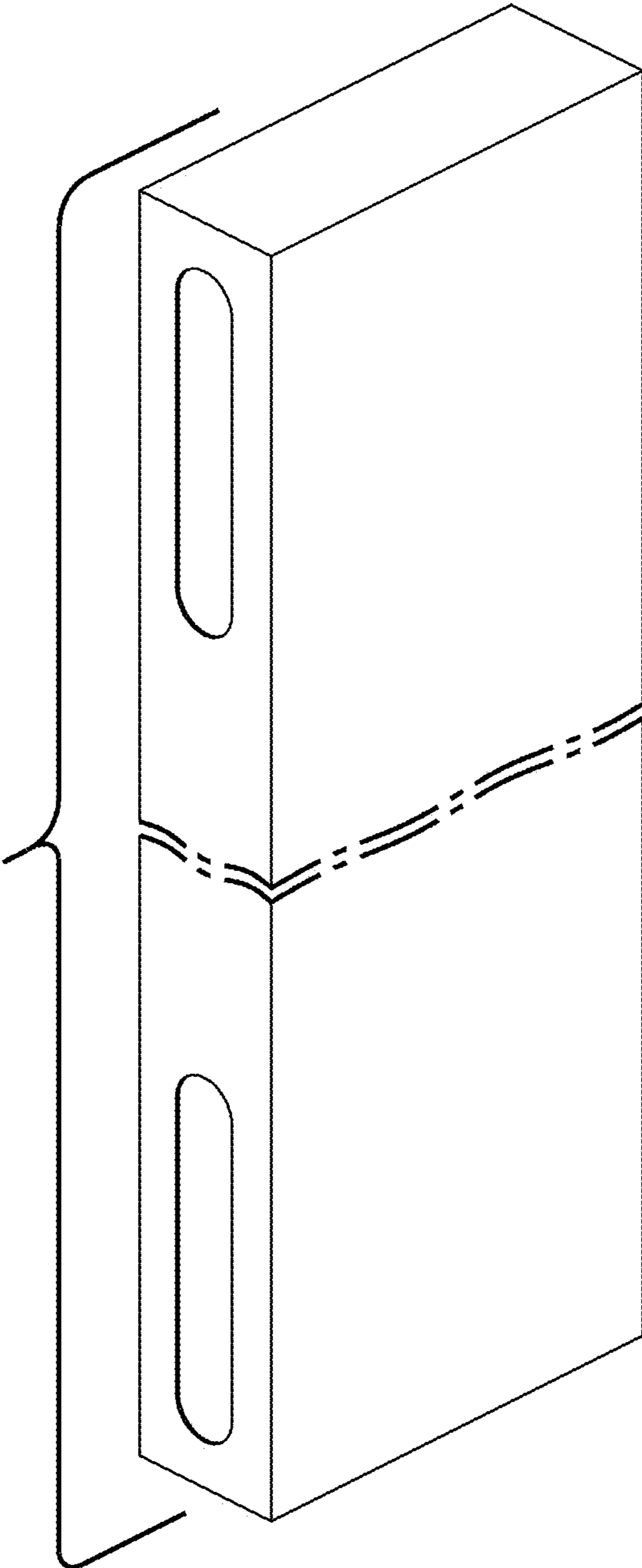


FIG. 2

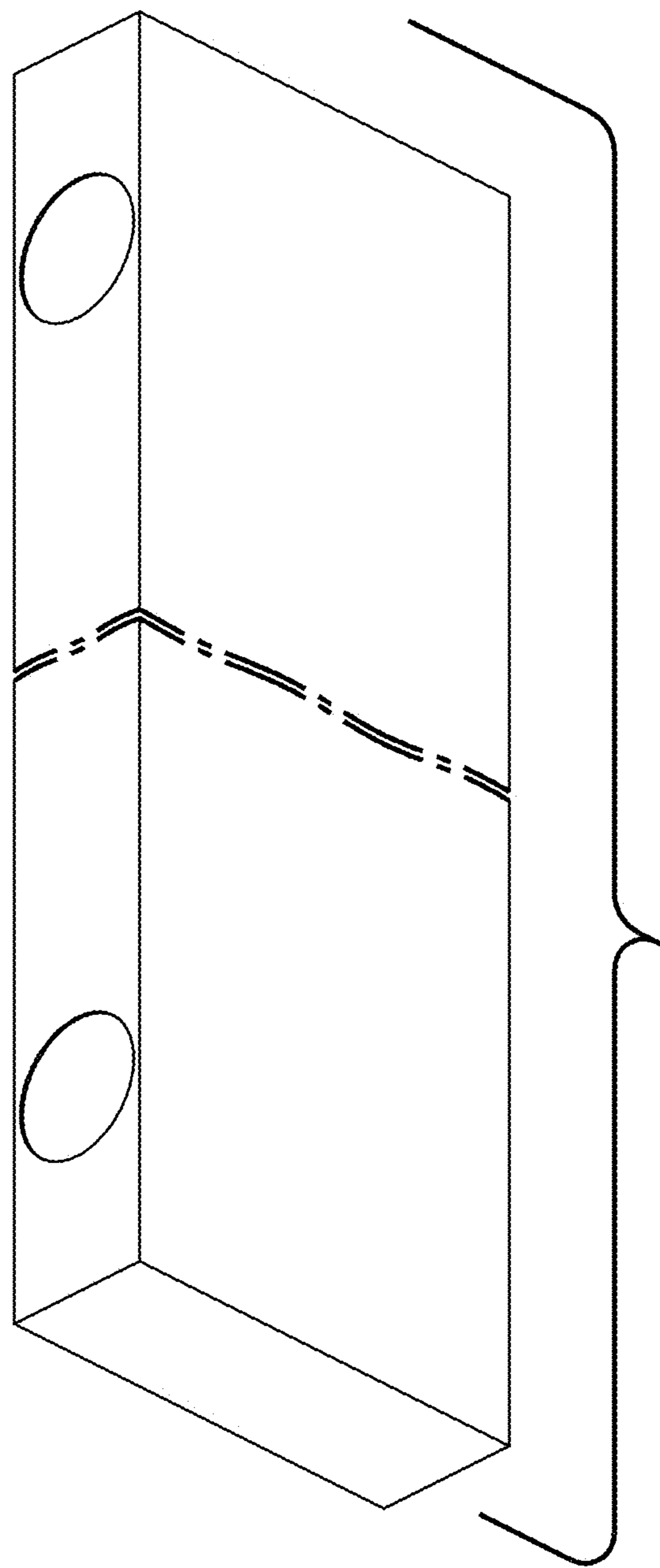


FIG. 3

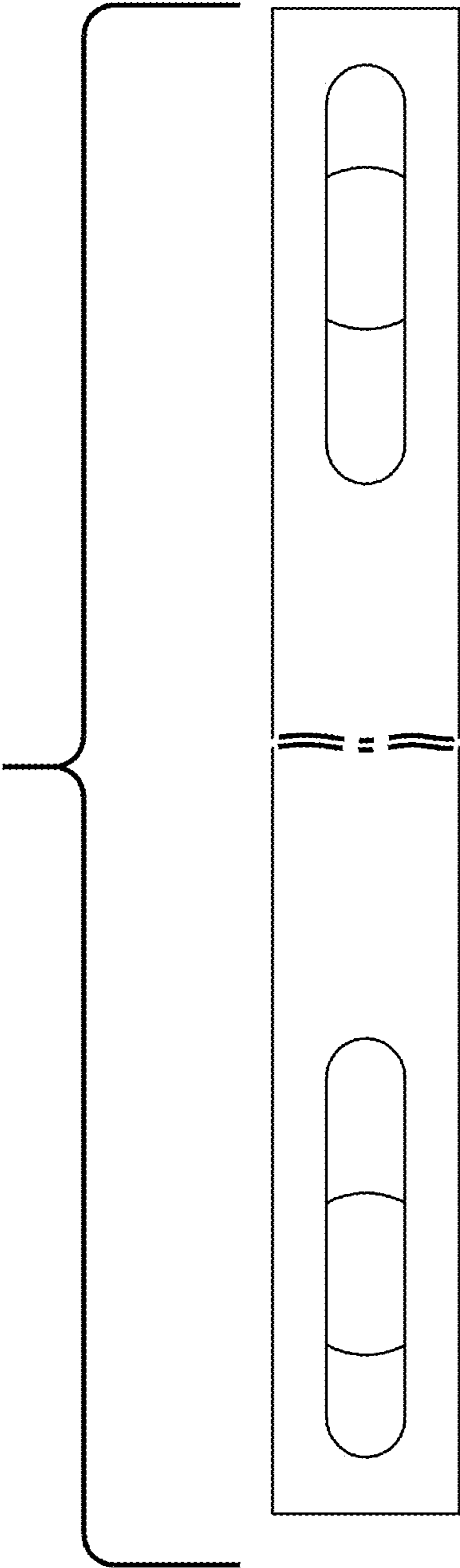


FIG. 4

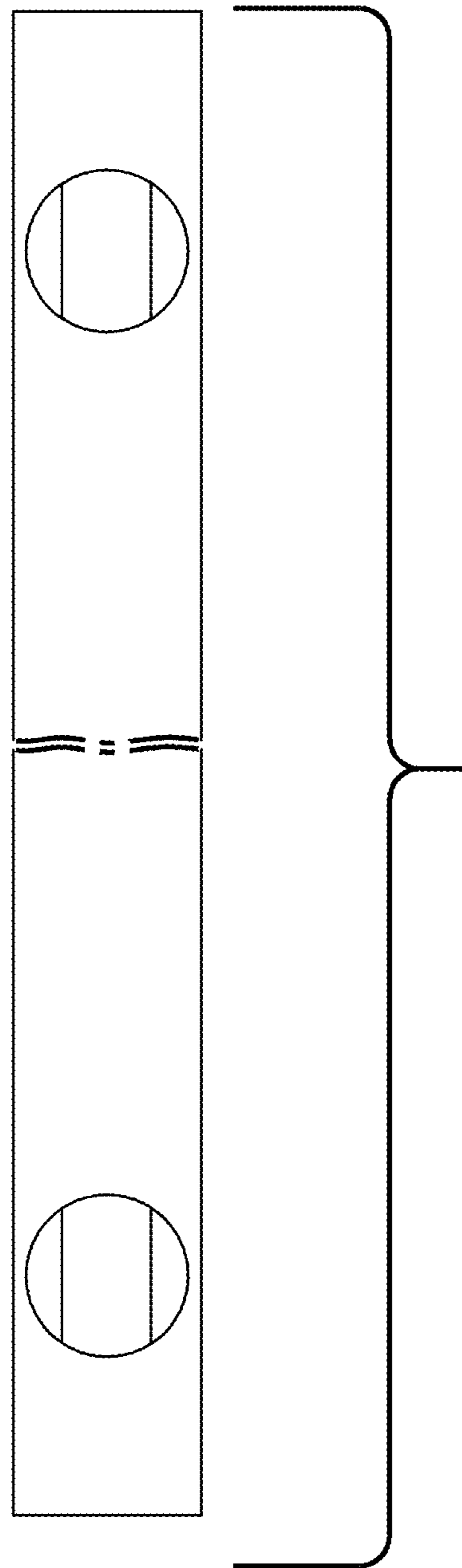


FIG. 5

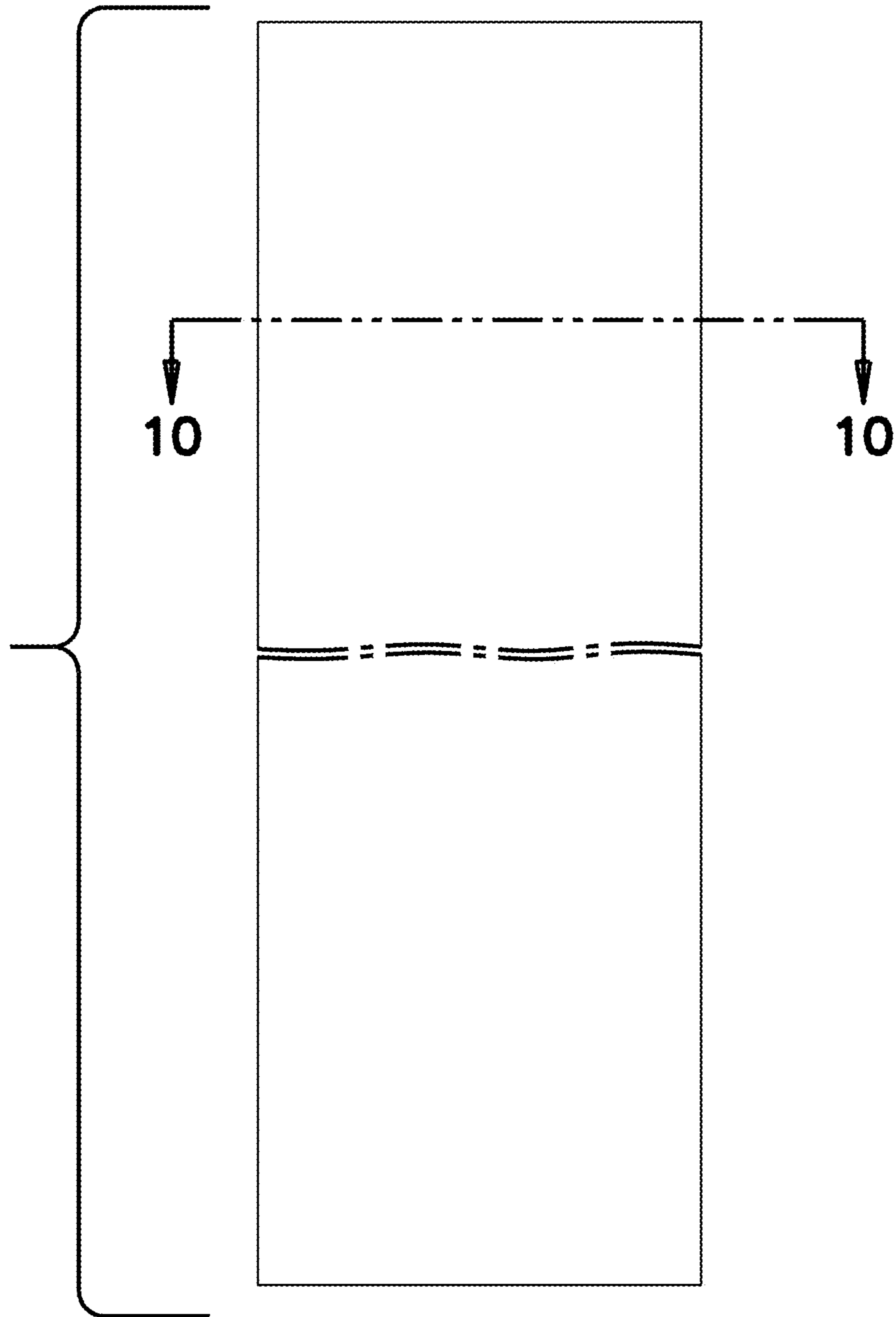


FIG. 6

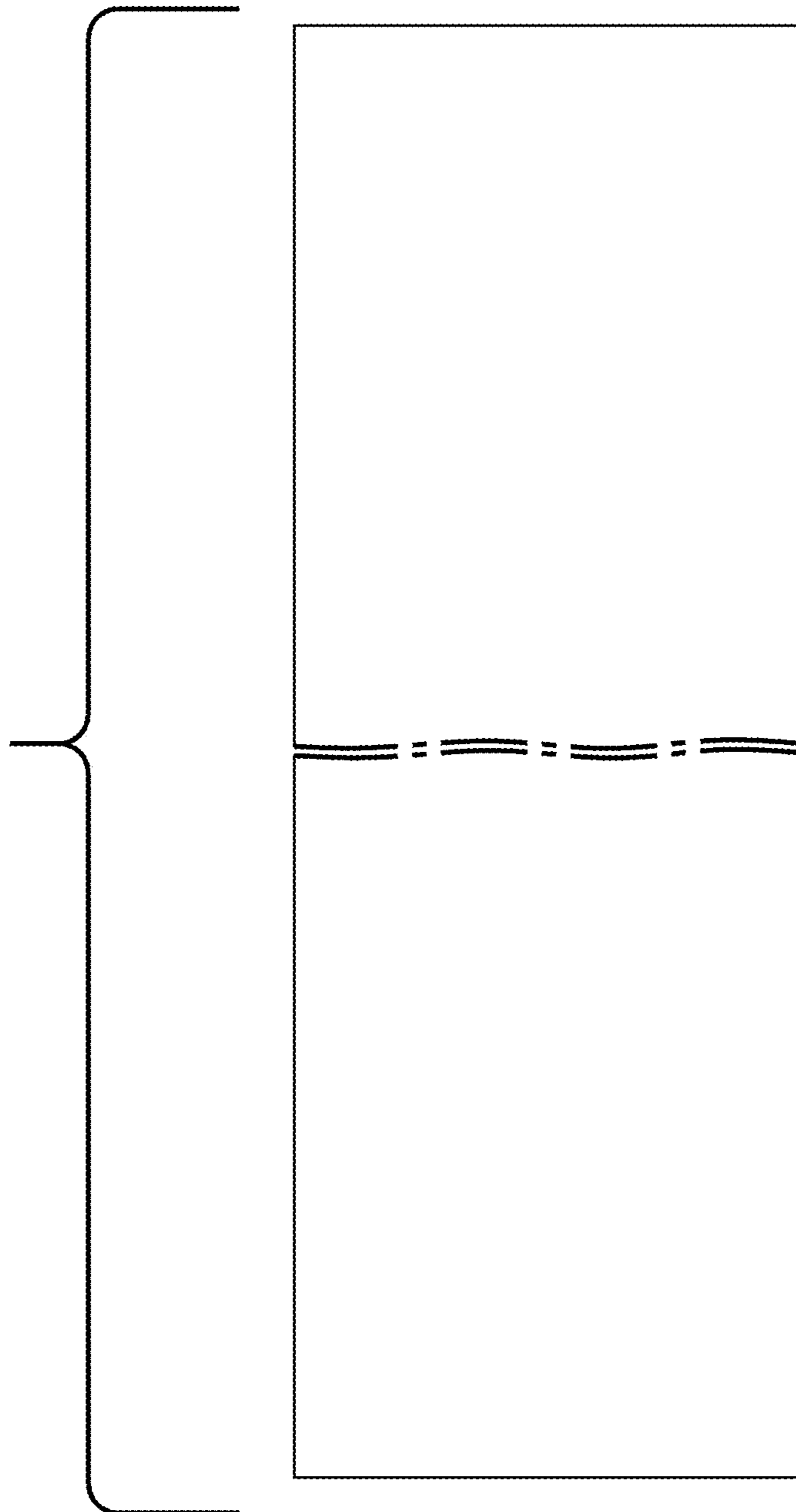


FIG. 7

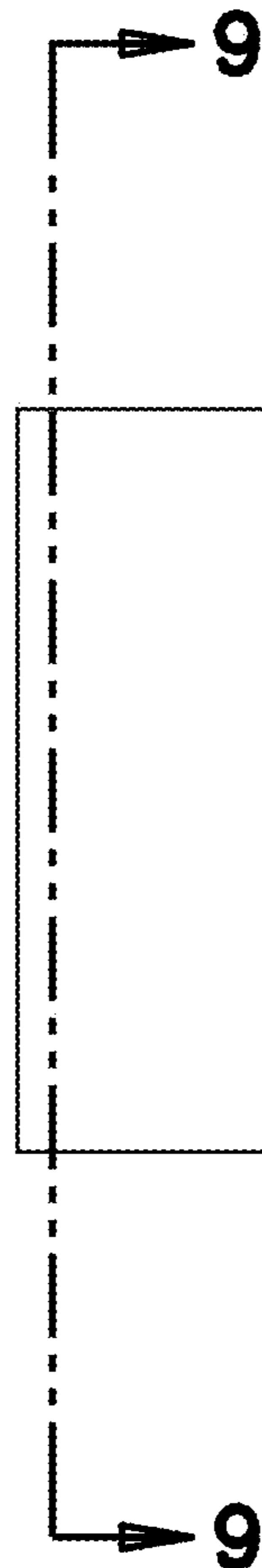


FIG. 8

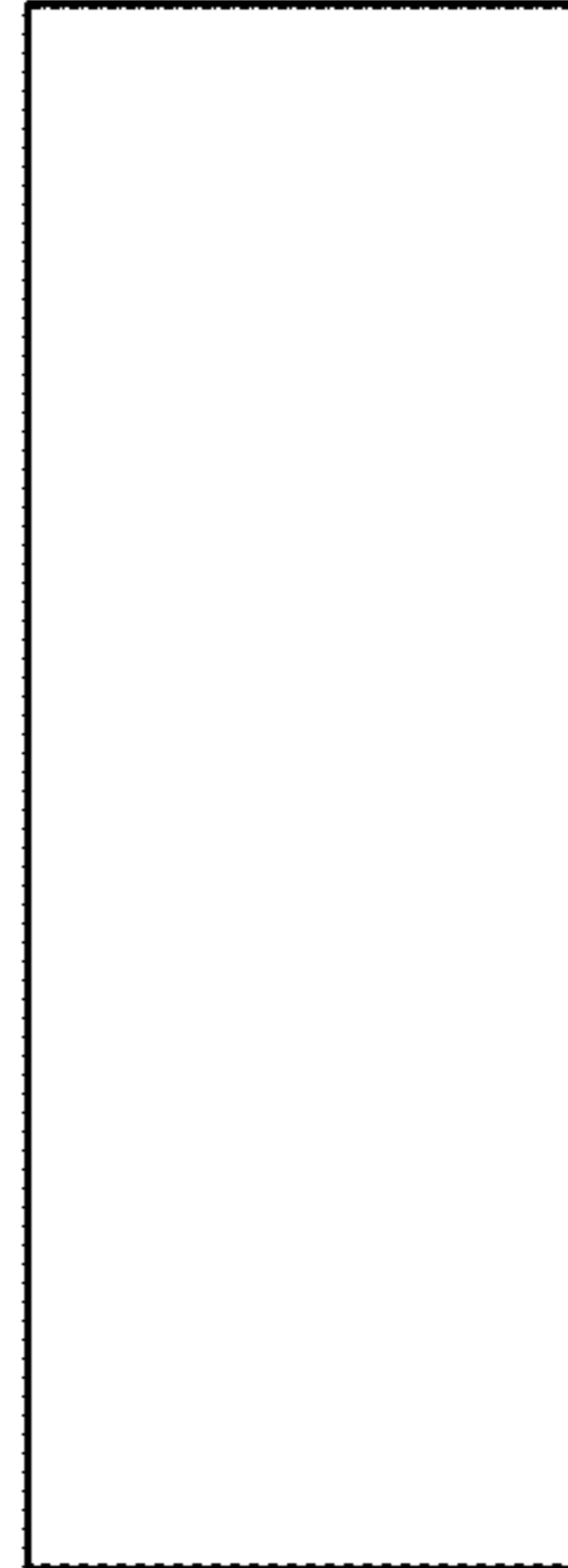


FIG. 9

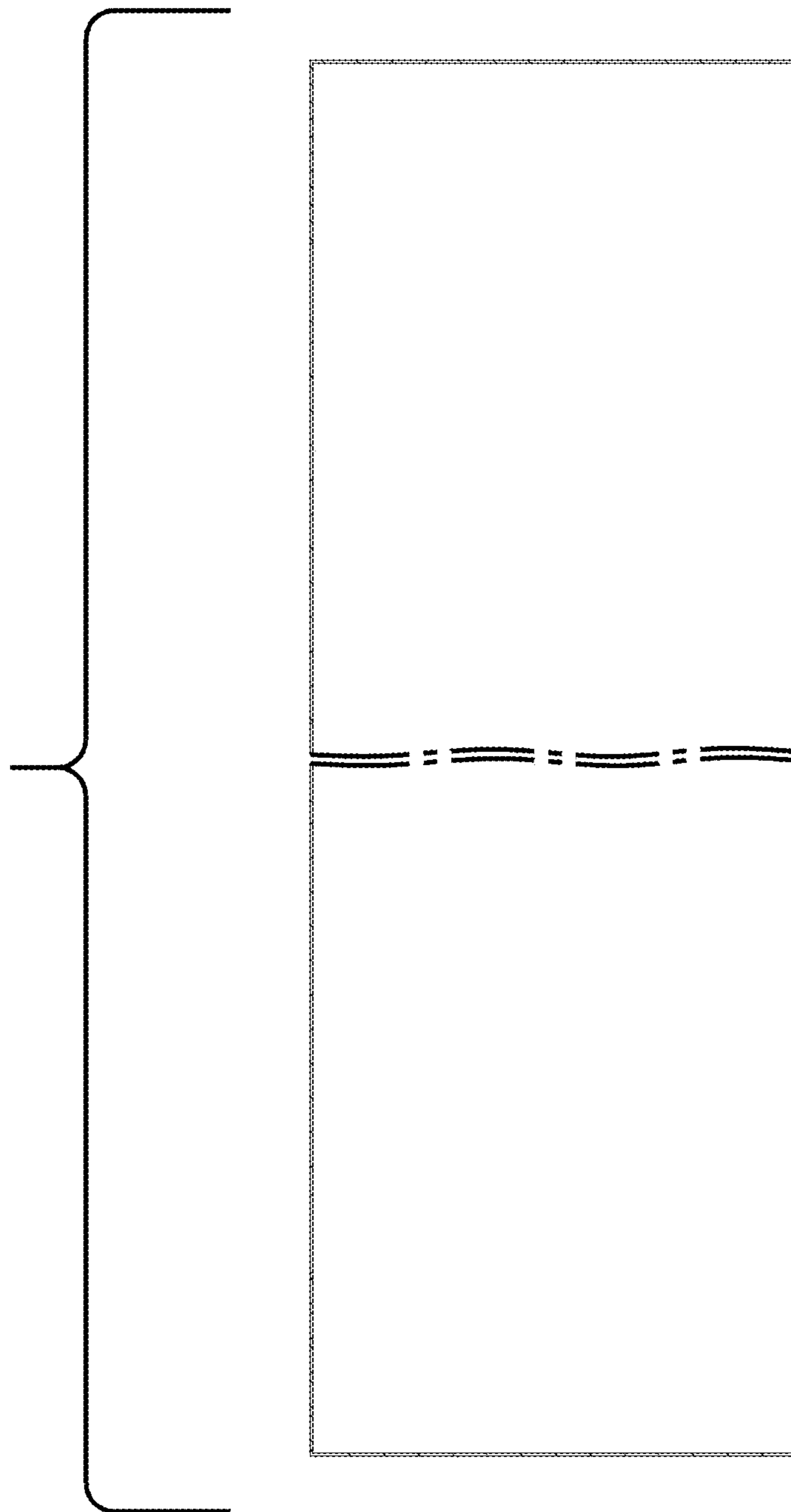


FIG. 10

