



US00D905150S

(12) **United States Design Patent** (10) **Patent No.:** **US D905,150 S**
Drost (45) **Date of Patent:** **** Dec. 15, 2020**

(54) **ENCLOSURE FOR CAPTURE DEVICES**
(71) Applicant: **Musco Corporation**, Oskaloosa, IA (US)
(72) Inventor: **Matthew D. Drost**, Oskaloosa, IA (US)
(73) Assignee: **Musco Corporation**, Oskaloosa, IA (US)
(**) Term: **15 Years**

9,071,767 B2 *	6/2015	Sasagawa	H04N 5/247
D798,361 S *	9/2017	Kim	D16/203
D811,770 S *	3/2018	Brownley	D6/545
9,942,639 B2 *	4/2018	Wright	H04R 1/026
D841,715 S *	2/2019	Thompson	D16/200
D849,112 S *	5/2019	Katori	D16/219
D850,509 S *	6/2019	Tsai	D16/203
D864,277 S *	10/2019	Siminoff	D16/203
D870,791 S *	12/2019	Hasani	D16/203
D875,736 S *	2/2020	Ramones	D14/447
D878,380 S *	3/2020	Siminoff	D14/447
D882,669 S *	4/2020	Thompson	D16/219

* cited by examiner

(21) Appl. No.: **29/672,584**
(22) Filed: **Dec. 6, 2018**
(51) **LOC (12) Cl.** **16-05**
(52) **U.S. Cl.**
USPC **D16/237**; D16/203
(58) **Field of Classification Search**
USPC D16/237-250, 203, 219; D8/354, 355,
D8/363, 373, 382, 383, 394, 396;
D14/224, 229, 238, 251, 253
CPC G03B 17/56; G03B 17/561-566; F16M
11/14
See application file for complete search history.

Primary Examiner — Vy N Koenig

(74) *Attorney, Agent, or Firm* — Jessica R. Boer

(57) **CLAIM**

The ornamental design for an enclosure for capture devices, as shown and described.

DESCRIPTION

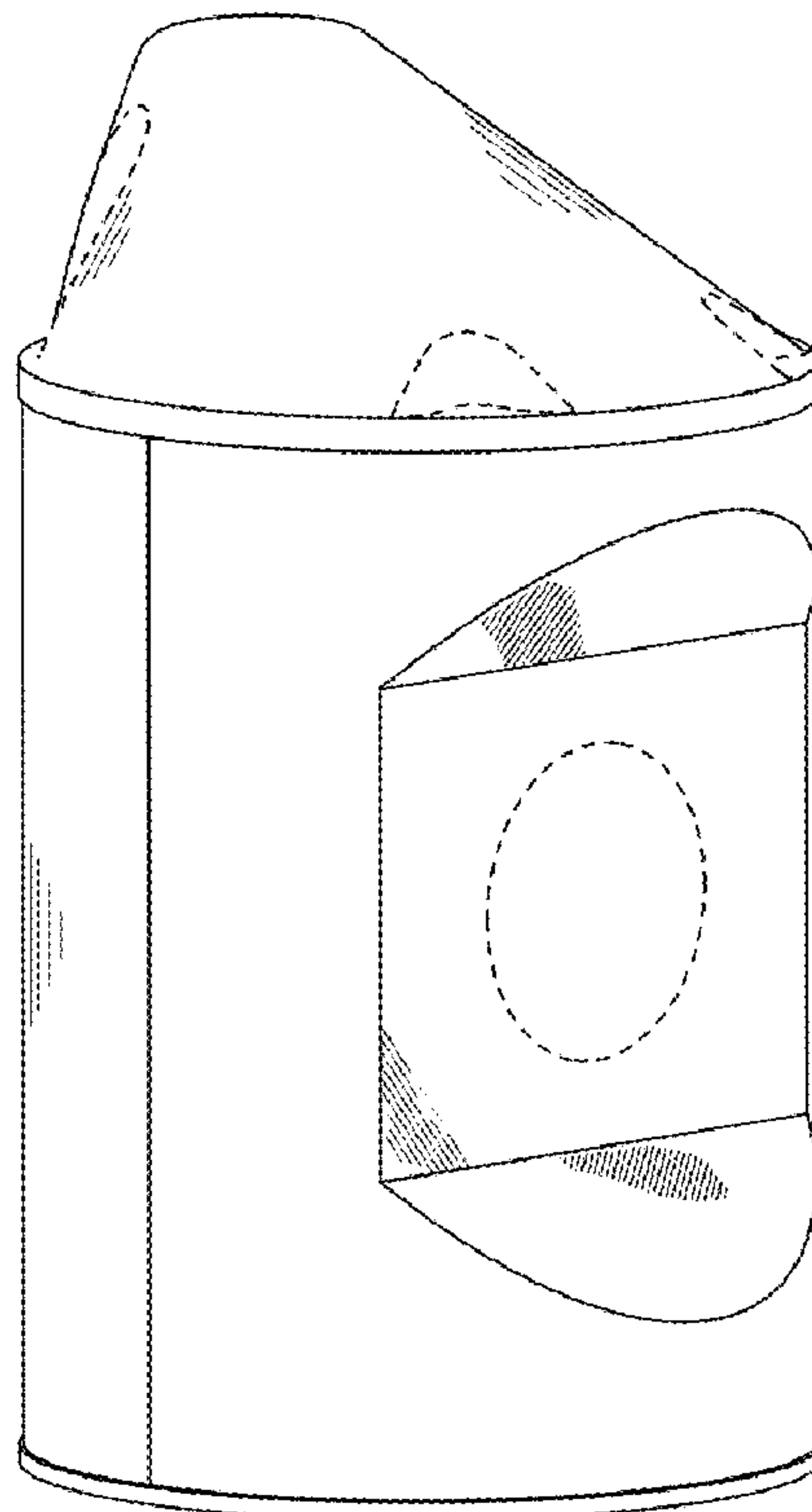
FIG. 1 is a perspective view of an enclosure for capture devices showing my new design;
FIG. 2 is a front elevation view thereof;
FIG. 3 is a back elevation view thereof;
FIG. 4 is a right side elevation view thereof;
FIG. 5 is a left side elevation view thereof;
FIG. 6 is a top plan view thereof; and,
FIG. 7 is a bottom plan view thereof.
The broken lines shown in the drawings illustrating unclaimed portions of the enclosure for capture devices form no part of the claimed design.

(56) **References Cited**

U.S. PATENT DOCUMENTS

D380,676 S *	7/1997	Holland	D9/434
D425,534 S *	5/2000	Mutoh	D10/106.1
D518,080 S *	3/2006	Uehara	D16/202
D536,357 S *	2/2007	Koby	D16/203
D552,148 S *	10/2007	Yamakawa	D16/203

1 Claim, 7 Drawing Sheets



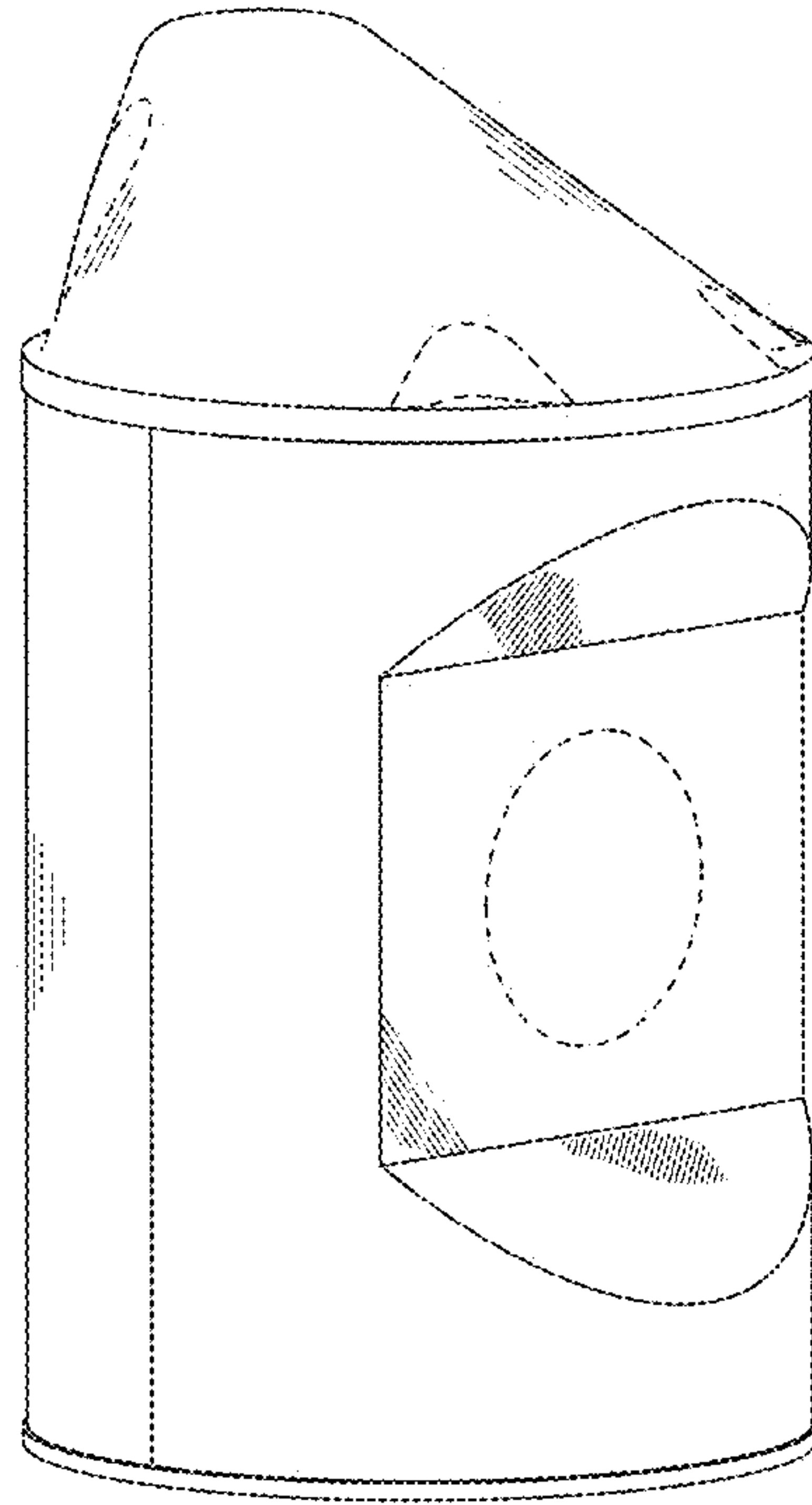


Fig 1

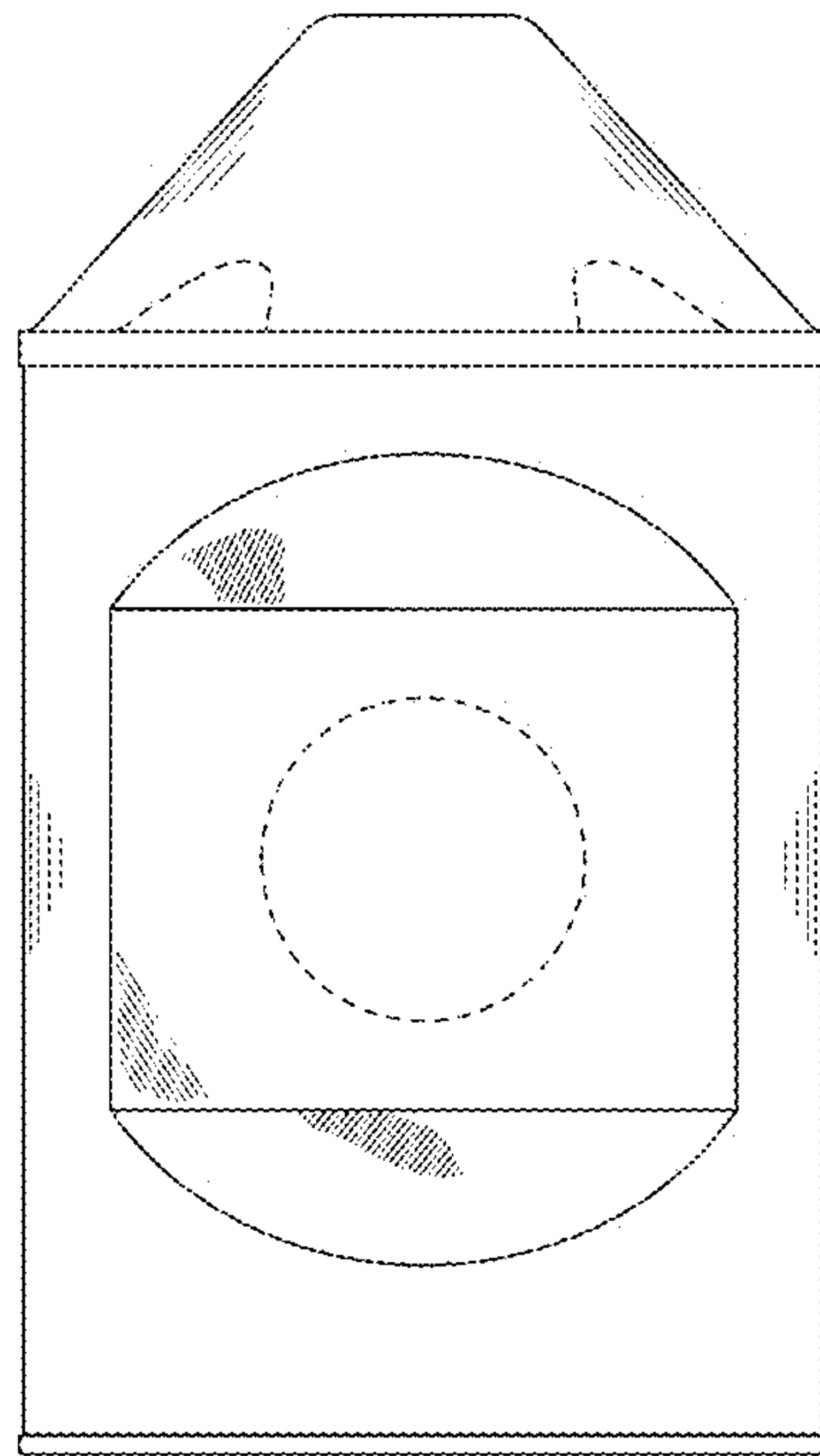


Fig 2

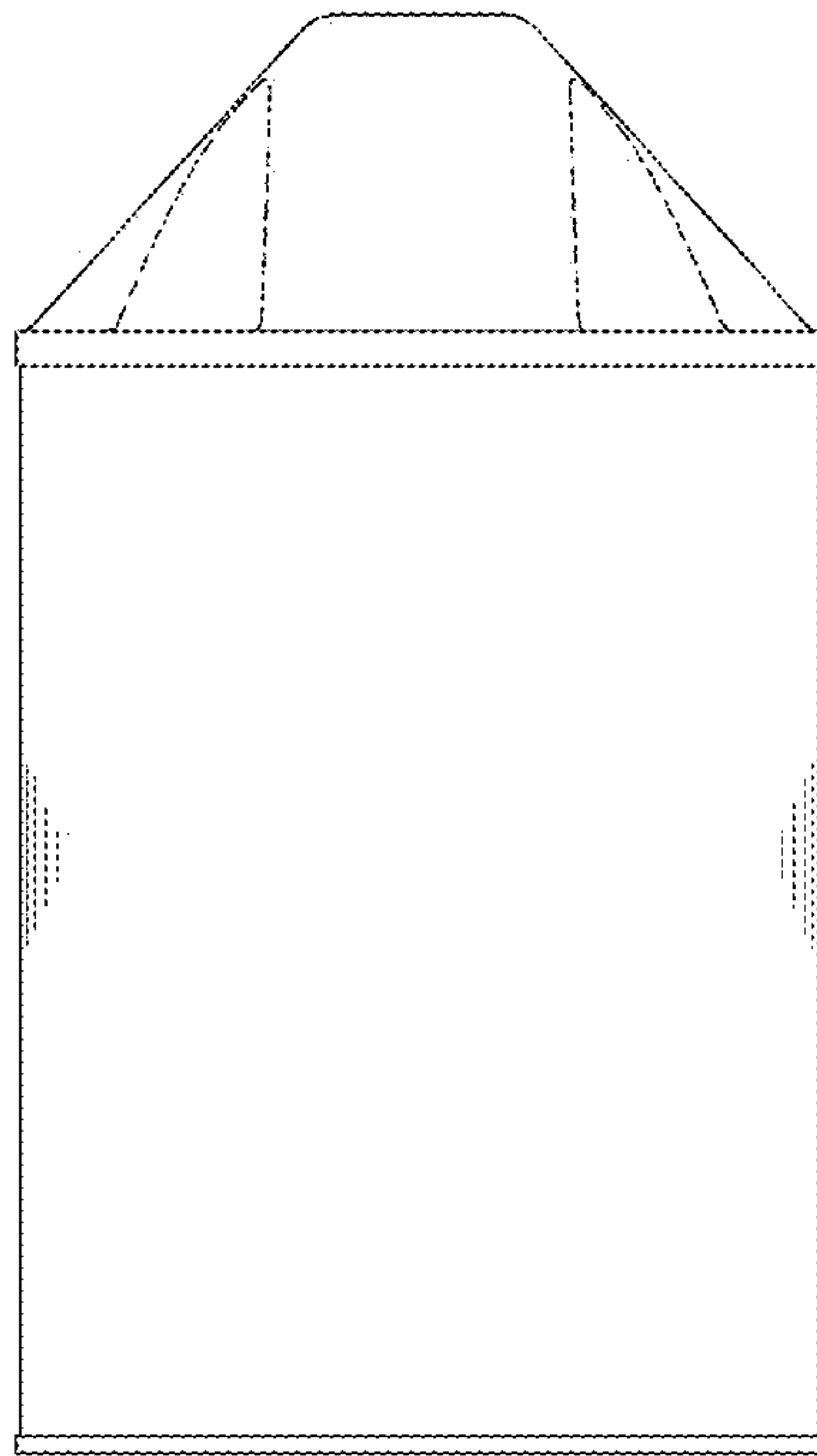


Fig 3

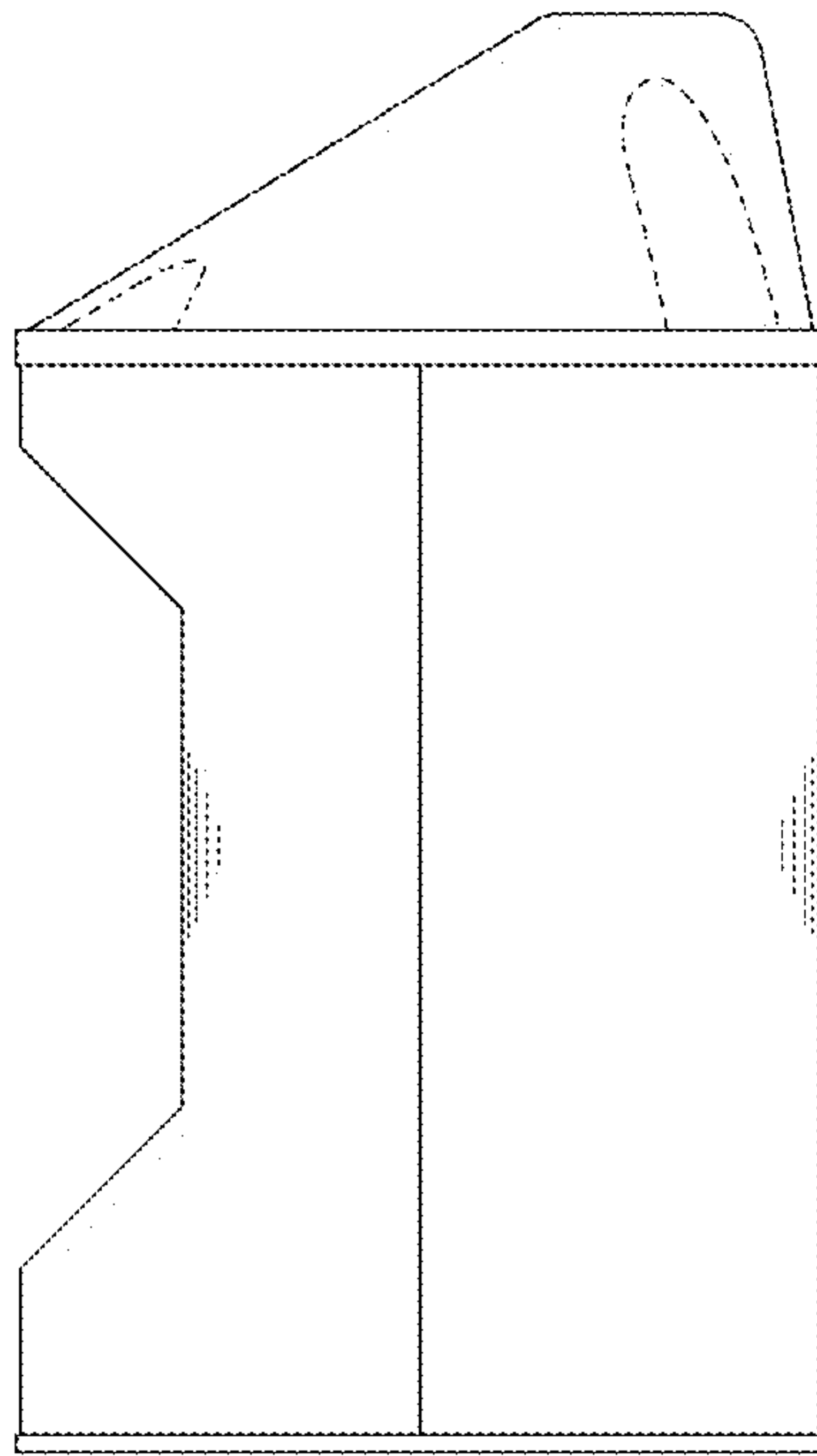


Fig 4

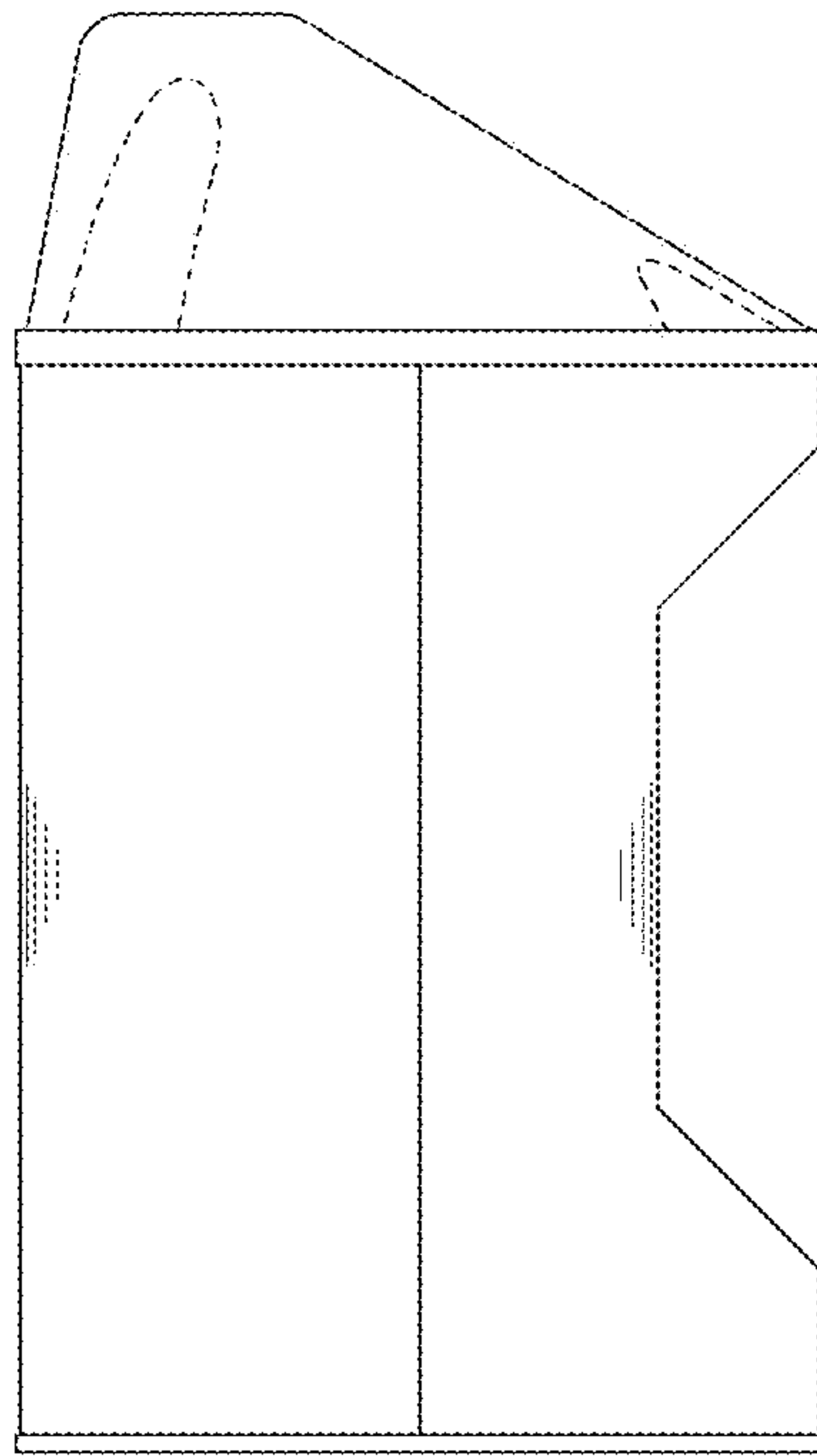


Fig 5

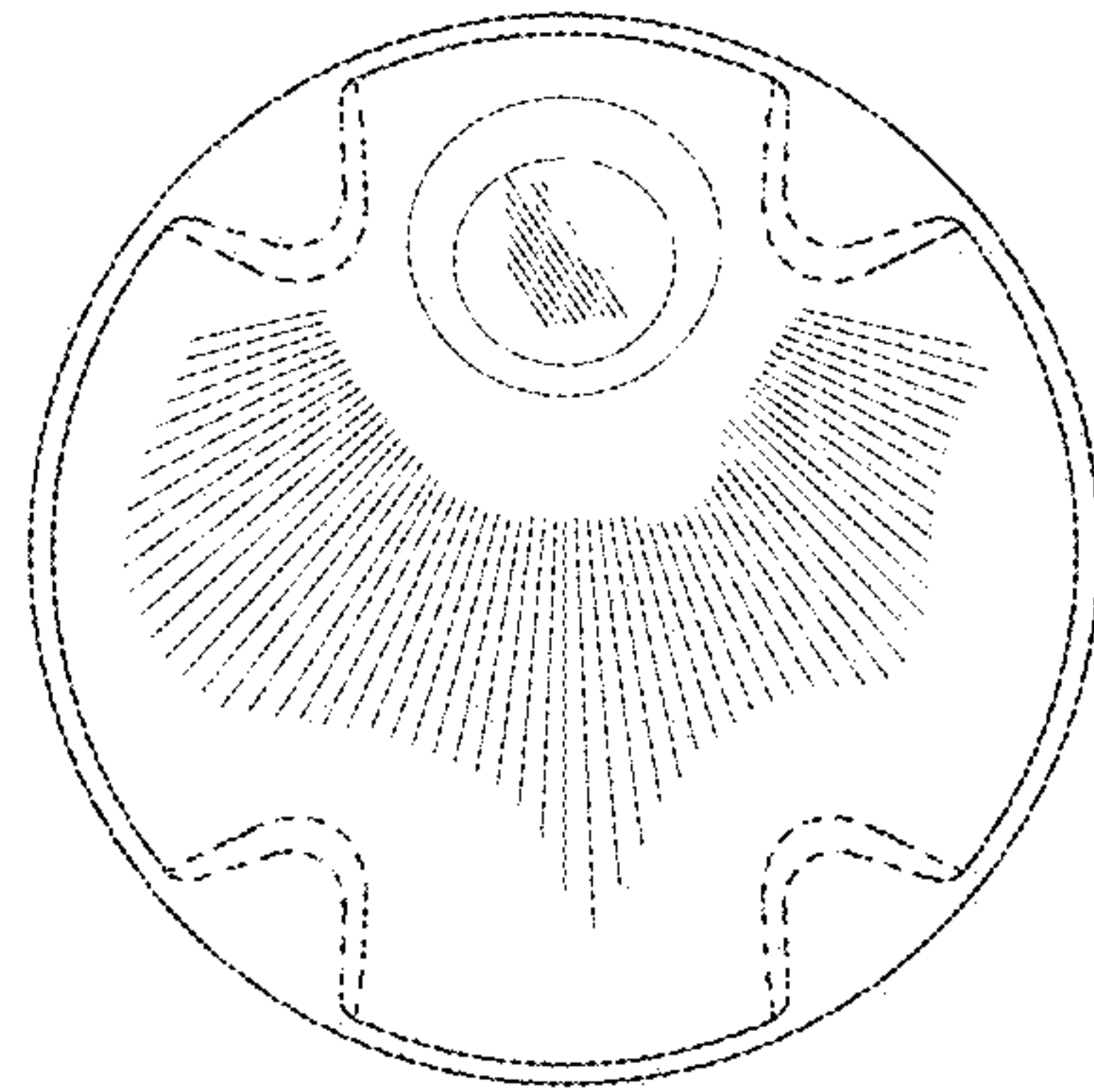


Fig 6

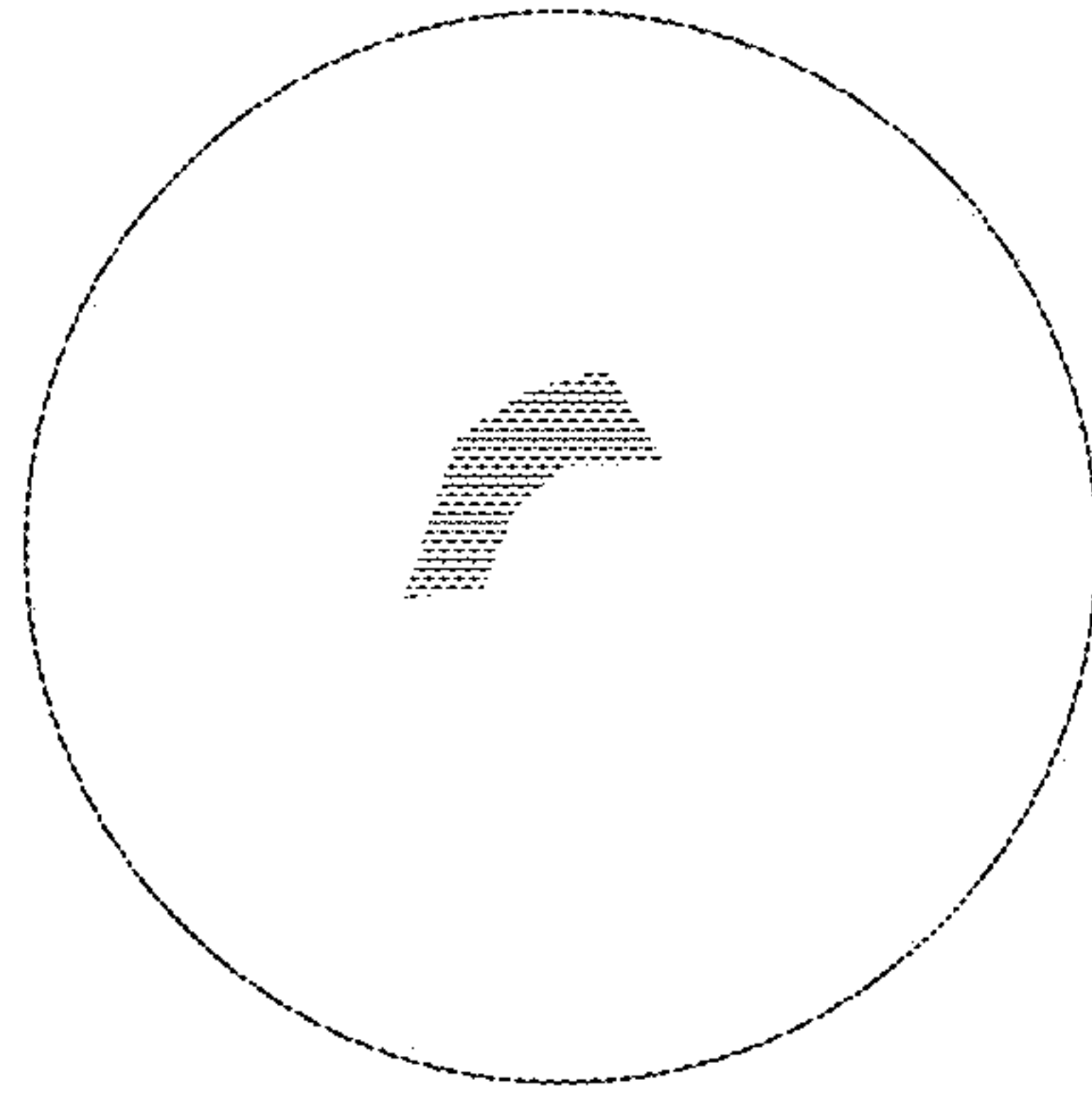


Fig 7