



US00D905149S

(12) **United States Design Patent** (10) **Patent No.:** **US D905,149 S**
Sasaki (45) **Date of Patent:** **** Dec. 15, 2020**

(54) **DIGITAL CAMERA**
(71) Applicant: **Panasonic Intellectual Property Management Co., Ltd., Osaka (JP)**
(72) Inventor: **Atsushi Sasaki, Osaka (JP)**
(73) Assignee: **Panasonic Intellectual Property Management Co., Ltd., Osaka (JP)**

D745,915 S * 12/2015 Ham D16/219
D749,163 S * 2/2016 Hibi D16/219
D749,659 S * 2/2016 Kamei D16/202
D754,772 S * 4/2016 Nohara D16/219
D789,434 S * 6/2017 Abe D16/202
D797,837 S * 9/2017 Osada D16/219
D807,941 S * 1/2018 Kamei D16/202
D831,092 S * 10/2018 Watanabe D16/219
D849,118 S * 5/2019 Sakai D16/219
D852,254 S * 6/2019 Saito D16/202
D875,804 S * 2/2020 Li D16/202

(**) Term: **15 Years**
(21) Appl. No.: **29/635,717**
(22) Filed: **Feb. 1, 2018**

FOREIGN PATENT DOCUMENTS

JP D1323979 3/2008
JP D1370285 10/2009
JP D1373592 11/2009

(Continued)

(30) **Foreign Application Priority Data**
Aug. 8, 2017 (JP) 2017-017043
(51) **LOC (12) Cl.** **16-05**
(52) **U.S. Cl.**
USPC **D16/219**
(58) **Field of Classification Search**
USPC D16/200, 202-205, 208, 209, 218, 219;
348/373-376; 396/535, 538-541
CPC G03B 17/02; G03B 19/04; G03B 17/56;
G03B 17/04; G03B 15/03; G03B 15/05;
H04N 5/2251; H04N 5/2252; H04N
5/2253; H04N 5/2254; H04N 2007/145;
H04N 7/141; H04N 7/142; H04N 7/147;
H04N 7/148; H04N 7/15; H04N 7/152
See application file for complete search history.

Primary Examiner — Ramzi S Almatrahi
(74) *Attorney, Agent, or Firm* — Panasonic IP Management; Kerry S. Culpepper

(57) **CLAIM**

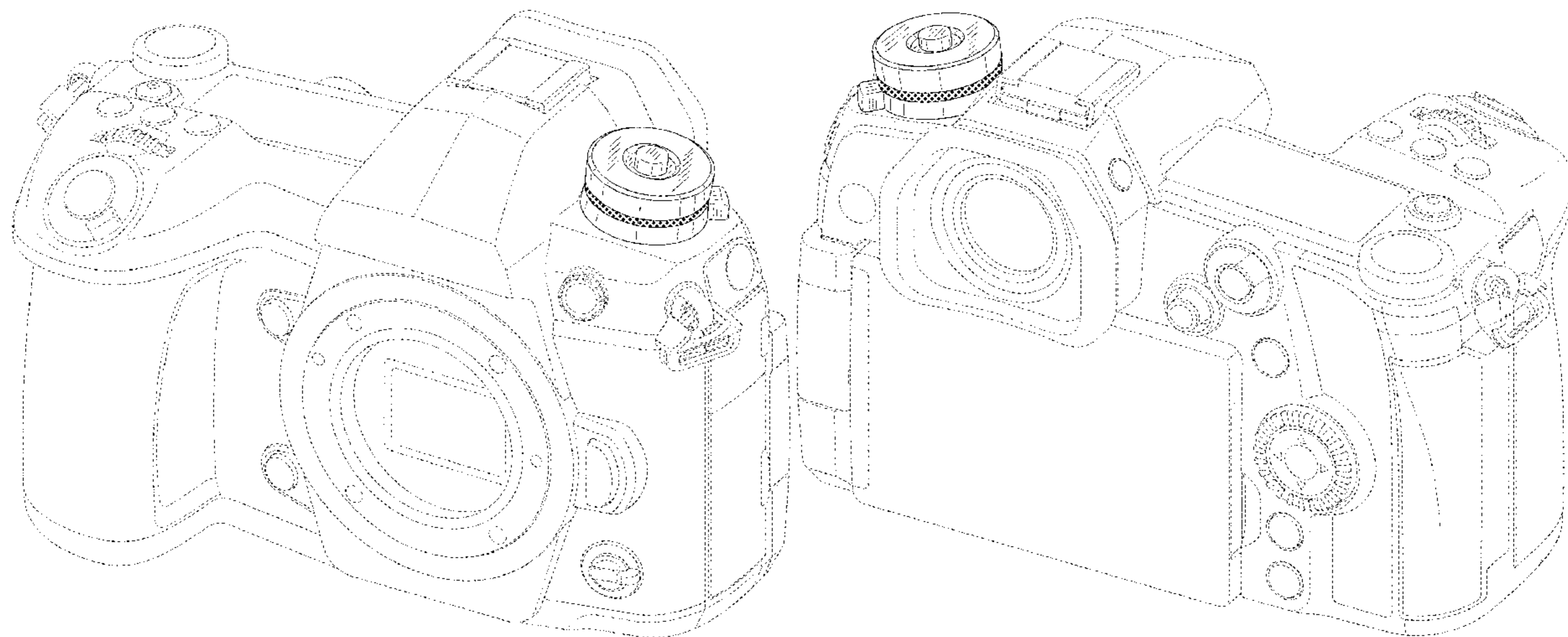
I claim the ornamental design for a digital camera, as shown and described.

DESCRIPTION

FIG. 1 is a front perspective view of a digital camera of the present invention;
FIG. 2 is a rear perspective view thereof;
FIG. 3 is a front view thereof;
FIG. 4 is a rear view thereof;
FIG. 5 is a first side view thereof;
FIG. 6 is a second side view thereof;
FIG. 7 is a top view thereof; and,
FIG. 8 is a bottom view thereof.
The broken lines in the drawings represent portions of the digital camera that form no part of the claimed design. The dark gray surface shading in FIGS. 1-4 and 6 represents a contrast in color.

(56) **References Cited**
U.S. PATENT DOCUMENTS
D609,730 S * 2/2010 Nakamura D16/202
D630,663 S * 1/2011 Meguro D16/217
D654,943 S * 2/2012 Ogasawara D16/202
D732,099 S * 6/2015 Nagaoka D16/202
D738,418 S * 9/2015 Imai D16/202

1 Claim, 8 Drawing Sheets



(56)

References Cited

FOREIGN PATENT DOCUMENTS

JP	D1405666	1/2011
JP	D1429716	12/2011
JP	D1450407	9/2012
JP	D1450408	9/2012
JP	D1548309	4/2016
JP	D1571953	3/2017

* cited by examiner

FIG. 1

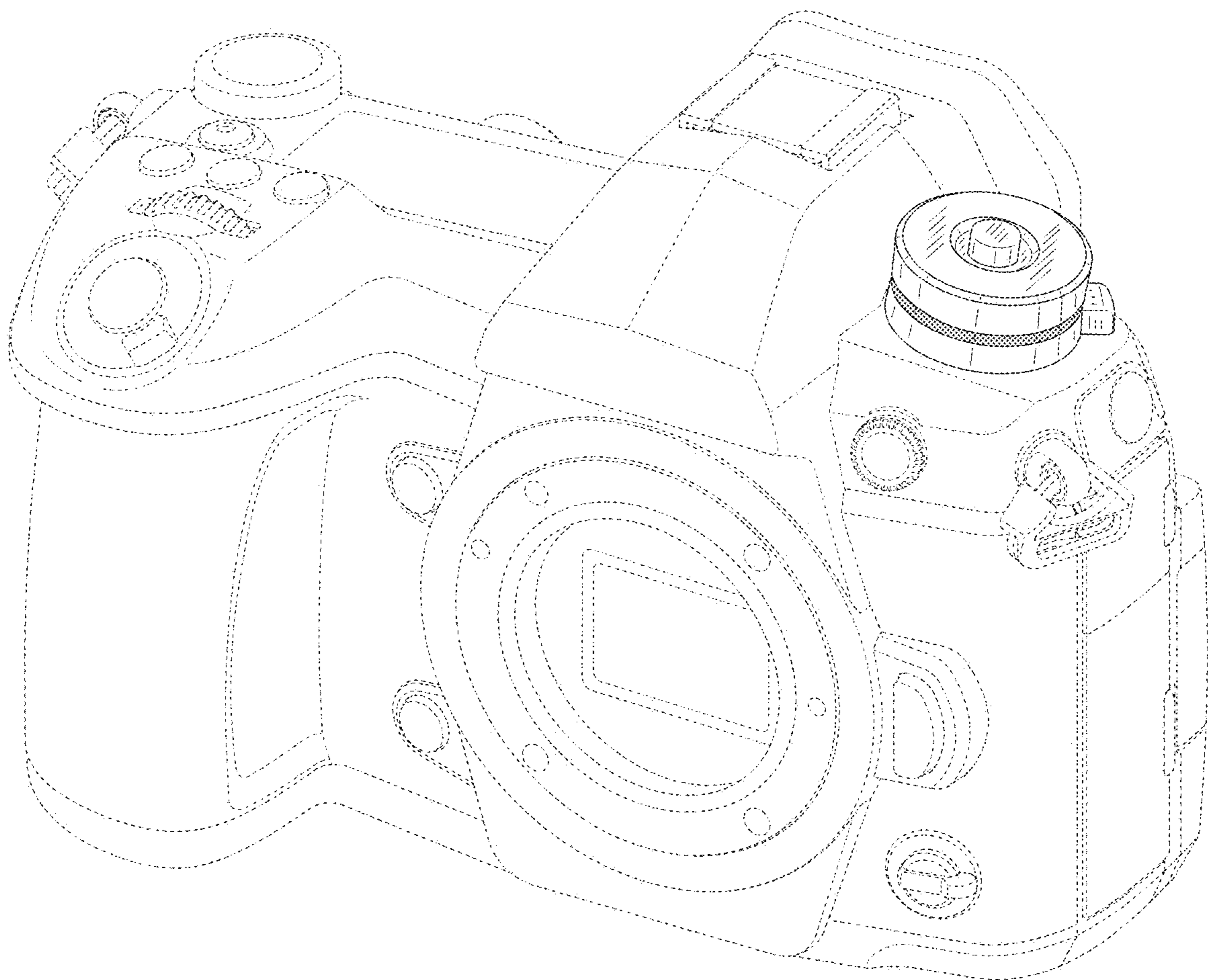


FIG. 2

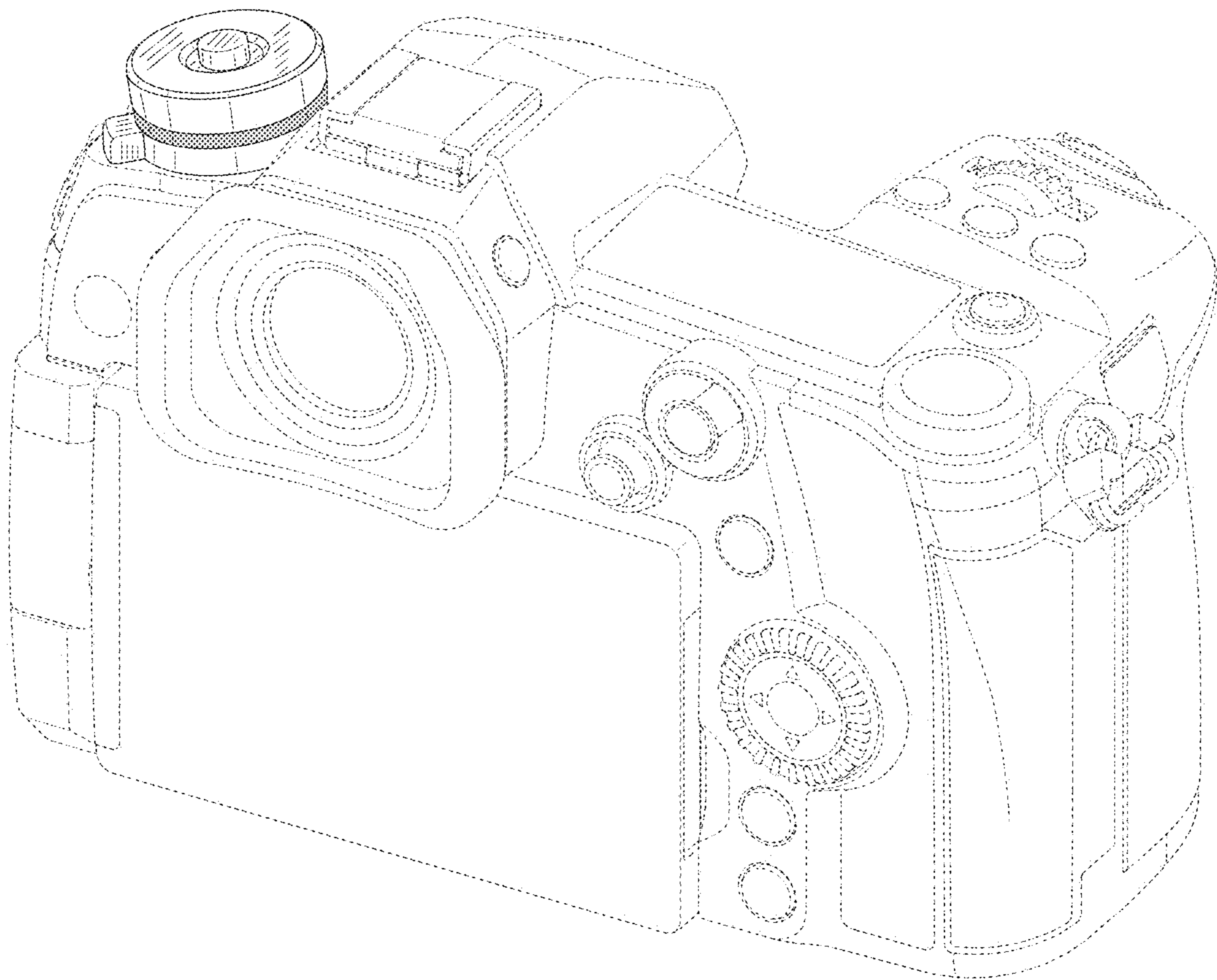


FIG. 3

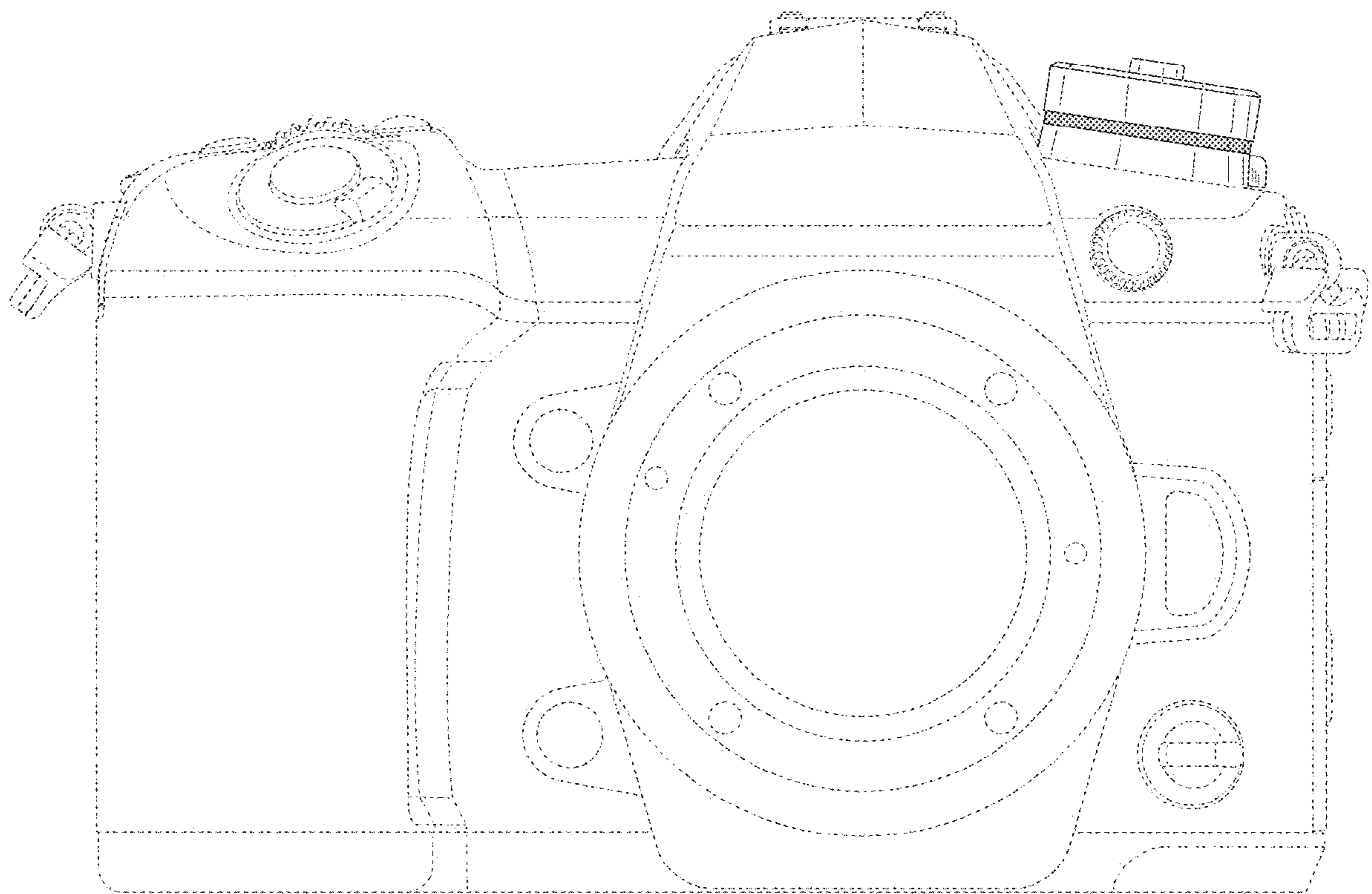


FIG. 4

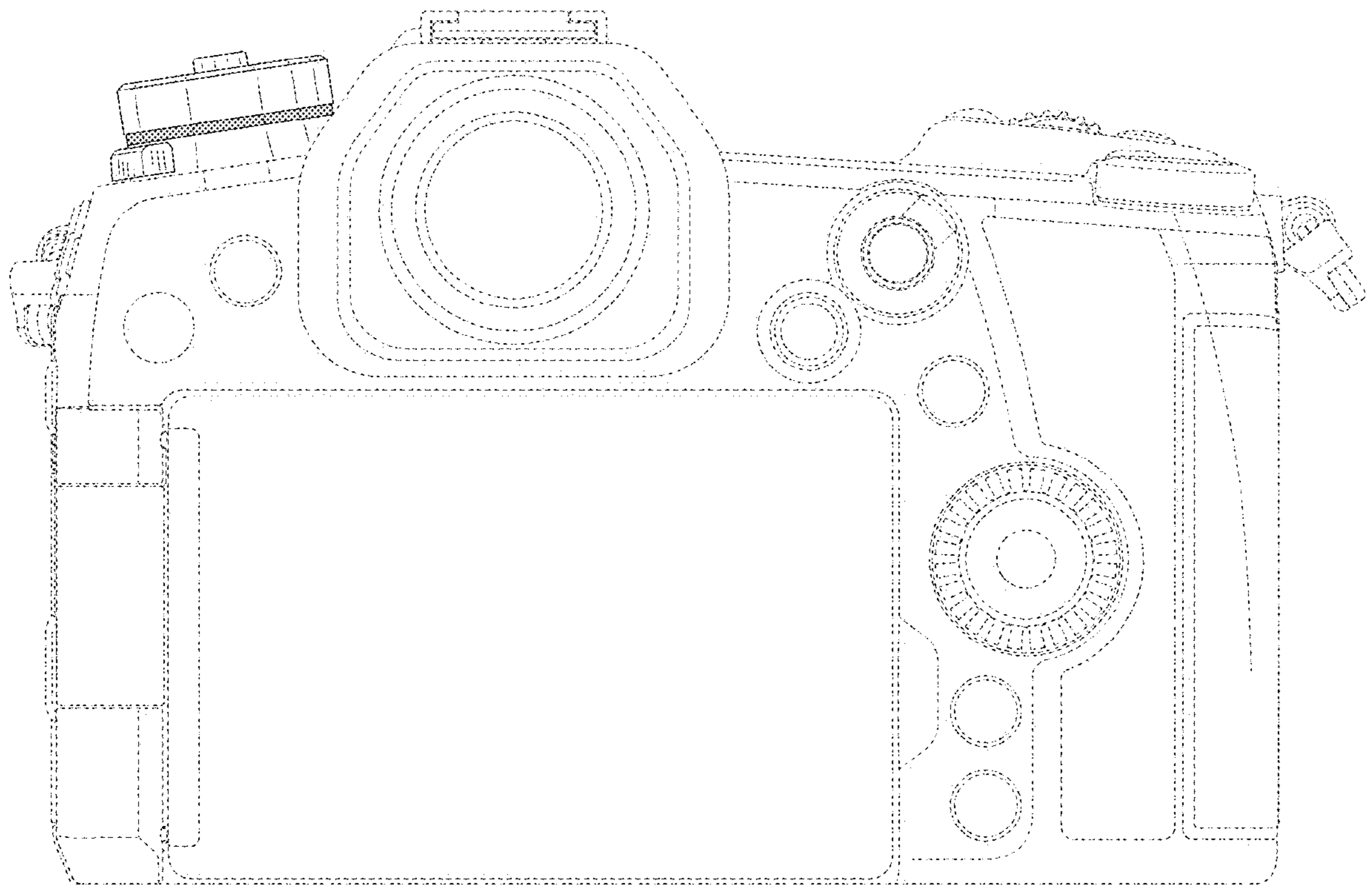


FIG. 5

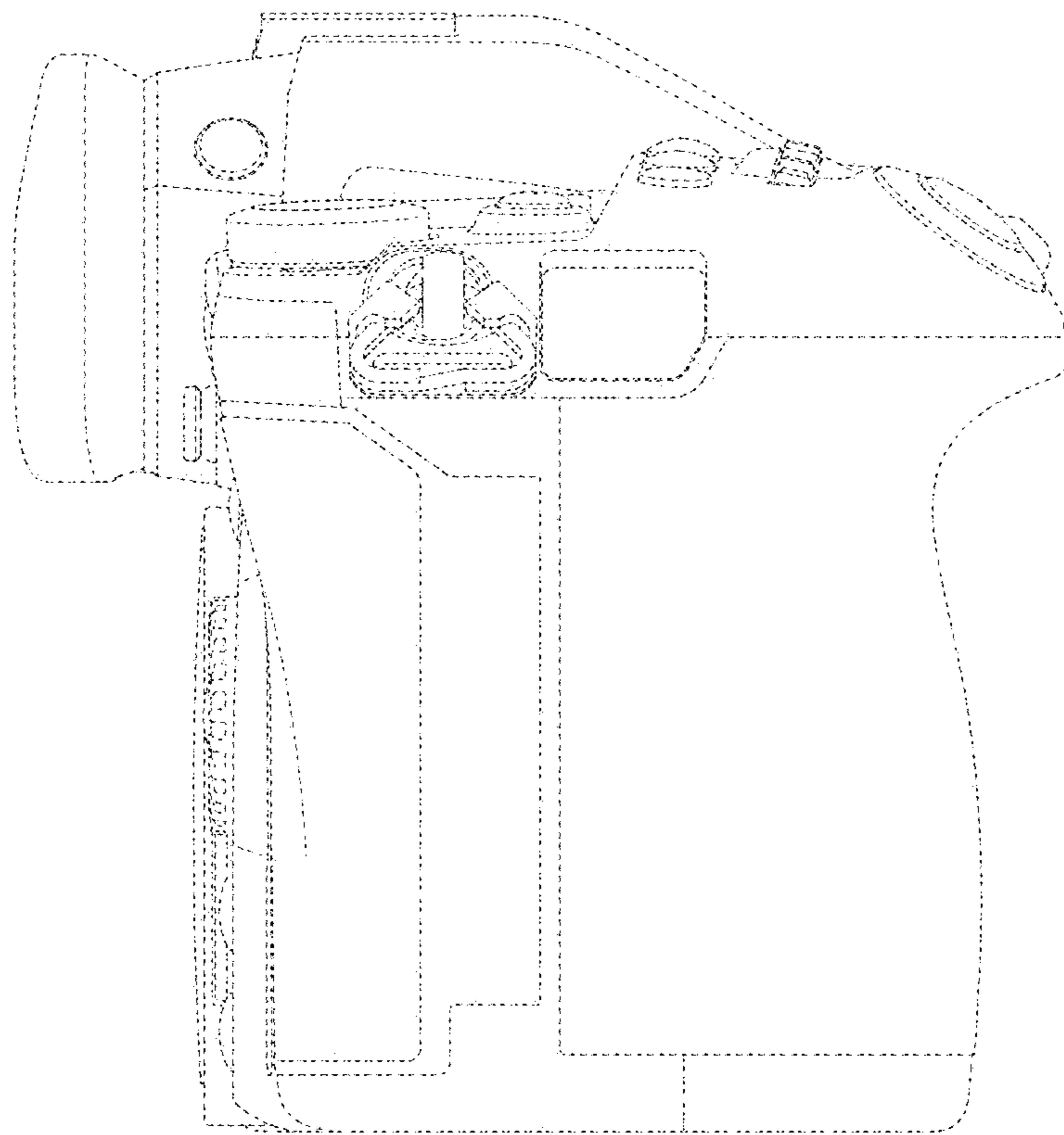


FIG. 6

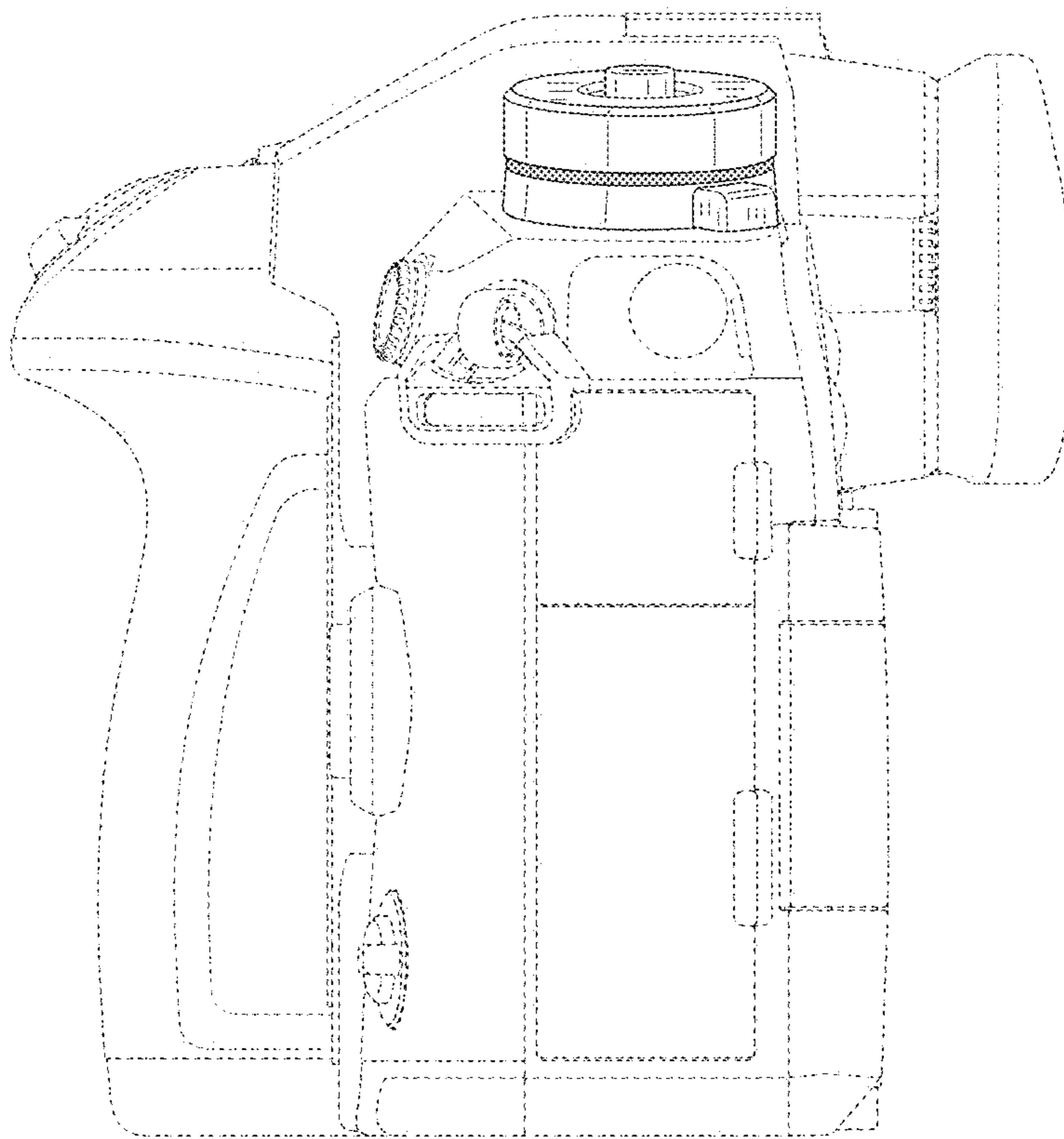


FIG. 7

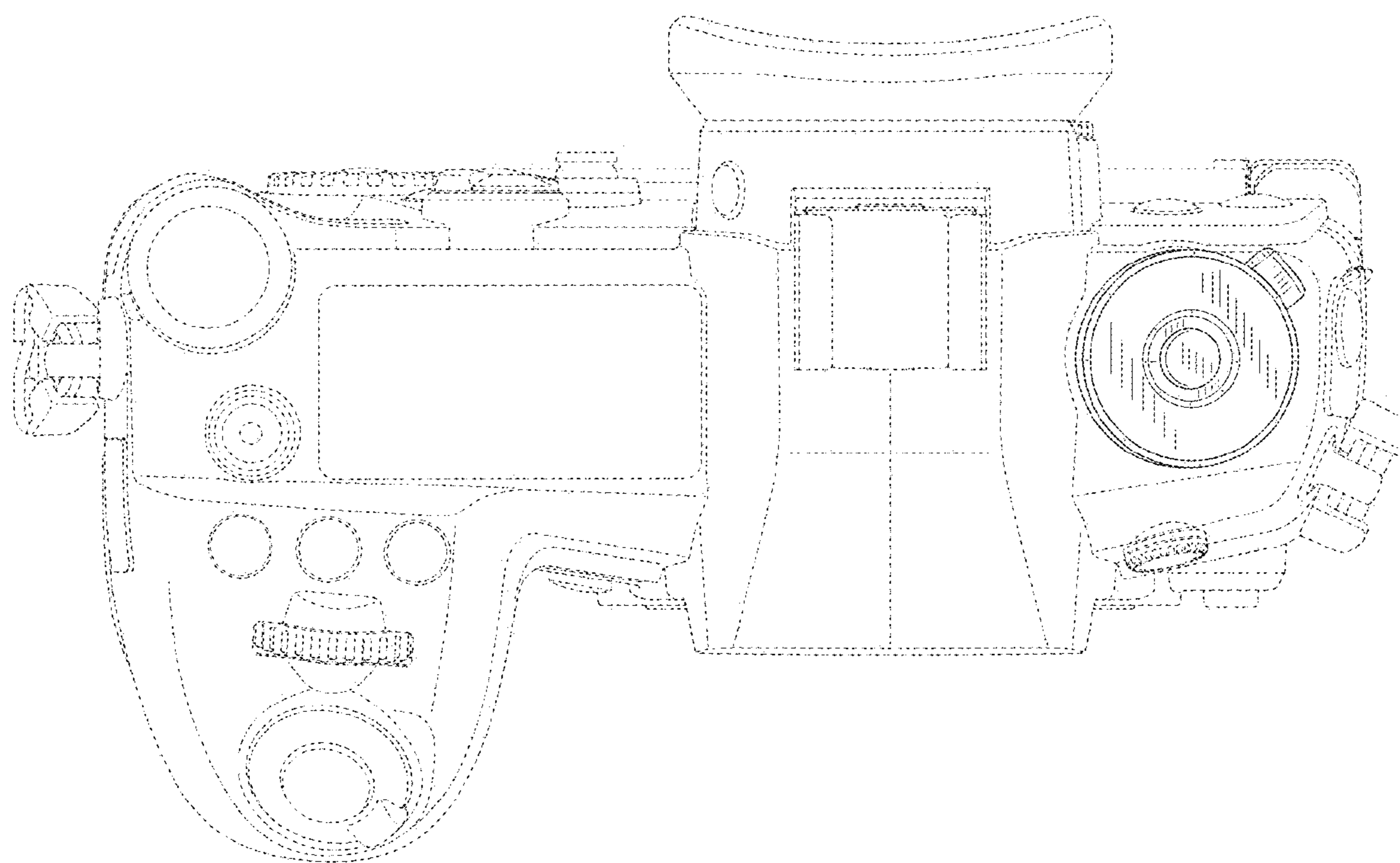


FIG. 8

