



US00D905146S

(12) **United States Design Patent**
Huang

(10) **Patent No.:** **US D905,146 S**

(45) **Date of Patent:** **** Dec. 15, 2020**

(54) **MAGNIFIER WITH LIGHTING ARRANGEMENT**

(71) Applicant: **MAGNIMAX INC.**, Alhambra, CA (US)

(72) Inventor: **Kuan Da Huang**, Alhambra, CA (US)

(**) Term: **15 Years**

(21) Appl. No.: **29/664,345**

(22) Filed: **Sep. 24, 2018**

(51) **LOC (12) Cl.** **16-06**

(52) **U.S. Cl.**
USPC **D16/135**

(58) **Field of Classification Search**
USPC D16/130, 134, 135, 136; D10/62, 71
CPC G01B 3/04
See application file for complete search history.

(56) **References Cited**

U.S. PATENT DOCUMENTS

D191,141 S *	8/1961	Burlin et al.	D16/135
D324,060 S *	2/1992	Huang	D16/135
D394,073 S *	5/1998	Hennessy	D16/135
D559,876 S *	1/2008	Yip	D16/135
D635,170 S *	3/2011	van der Lande	D16/135

D636,513 S *	4/2011	Furtsch	D26/51
D637,220 S *	5/2011	Levine	D16/135
D654,107 S *	2/2012	Huang	D16/135
D702,746 S *	4/2014	Gresko	D16/135
D705,842 S *	5/2014	Su	G02B 25/02
				D16/135
D707,279 S *	6/2014	Tang	G02B 25/02
				D16/135

* cited by examiner

Primary Examiner — Holly E Thurman

(74) *Attorney, Agent, or Firm* — Tsz Lung Yeung

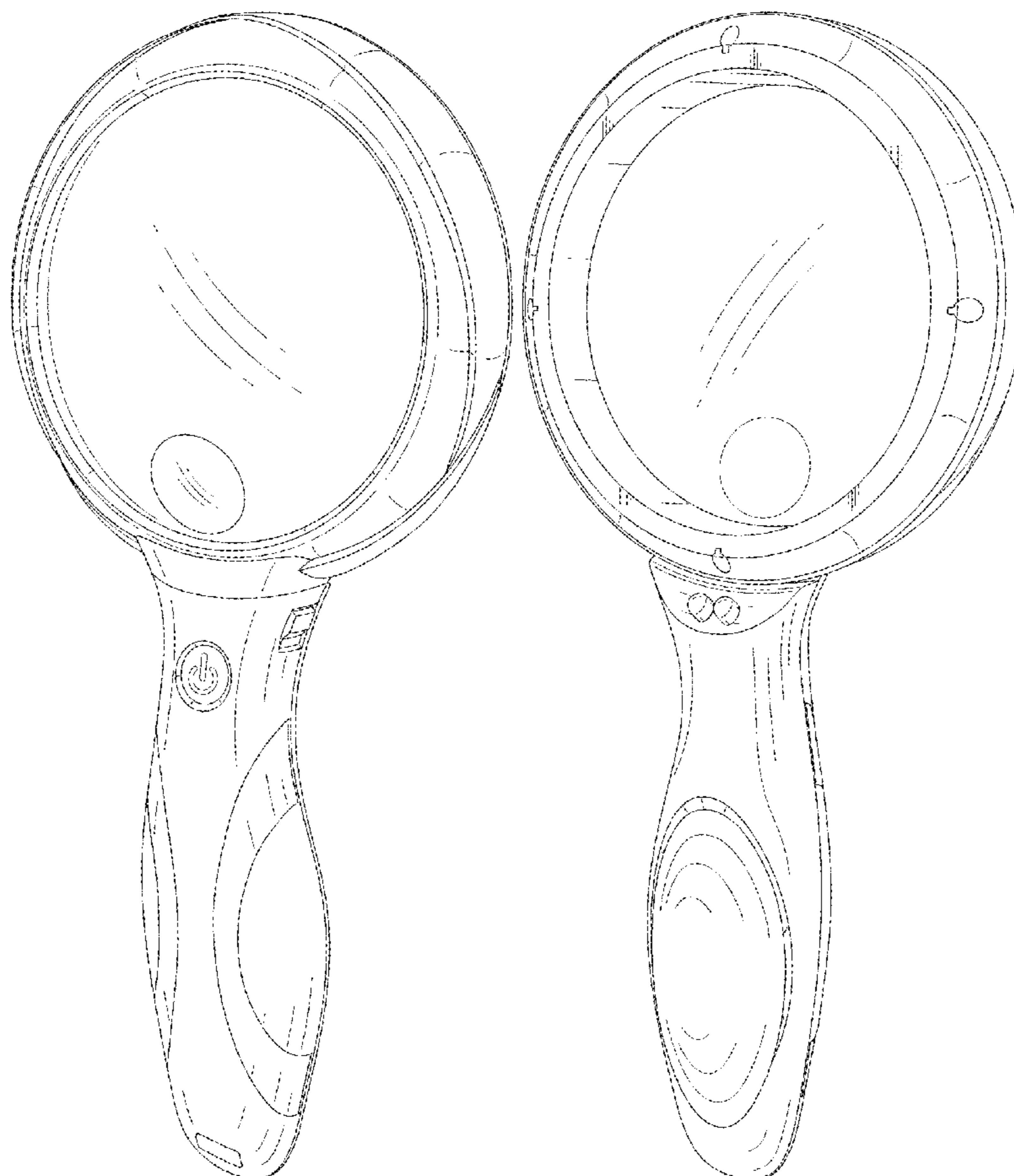
(57) **CLAIM**

The ornamental design for a magnifier with lighting arrangement, as shown and described.

DESCRIPTION

FIG. 1 is a front perspective view of a magnifier with lighting arrangement showing my new design;
FIG. 2 is a front view thereof;
FIG. 3 is a rear view thereof;
FIG. 4 is a right end view thereof;
FIG. 5 is a left end view thereof;
FIG. 6 is a top view thereof;
FIG. 7 is a bottom view thereof; and,
FIG. 8 is a rear perspective view thereof.

1 Claim, 8 Drawing Sheets



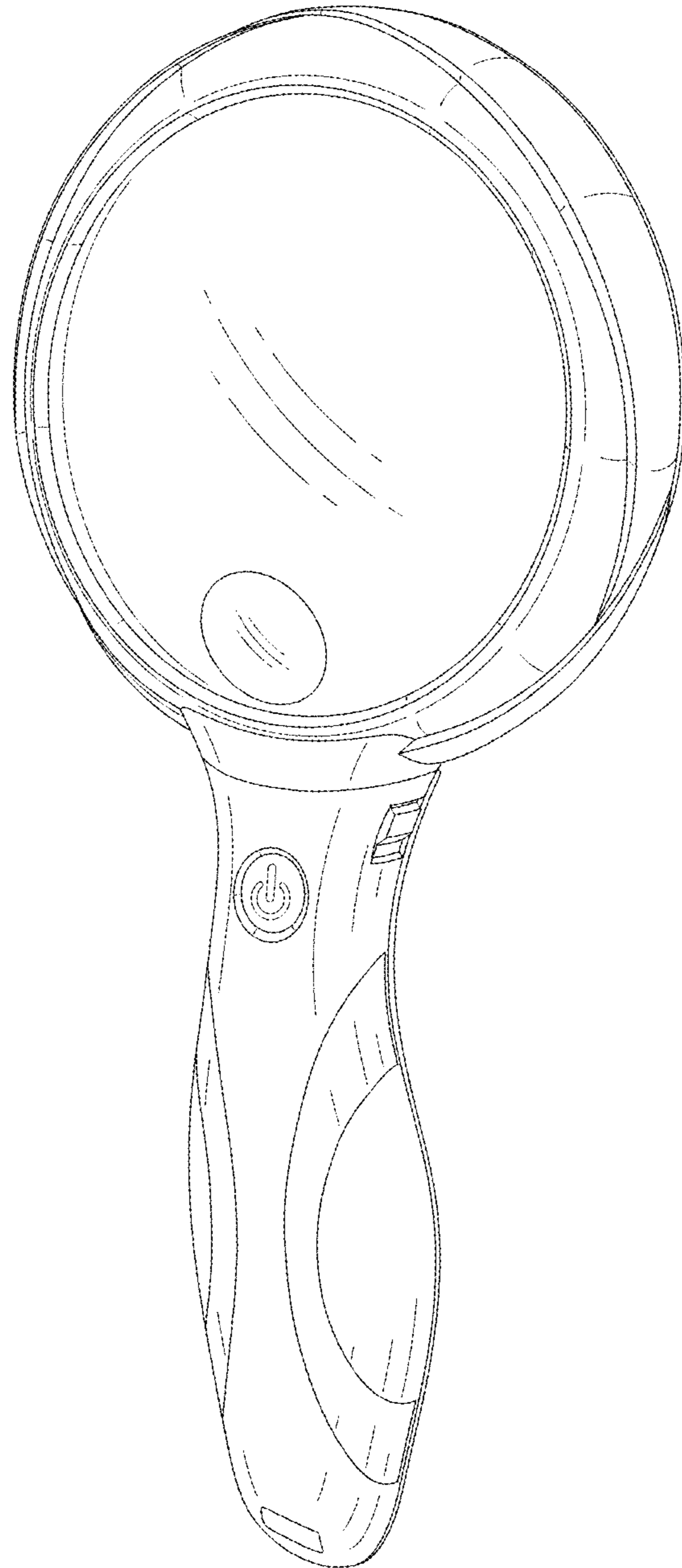


FIG. 1

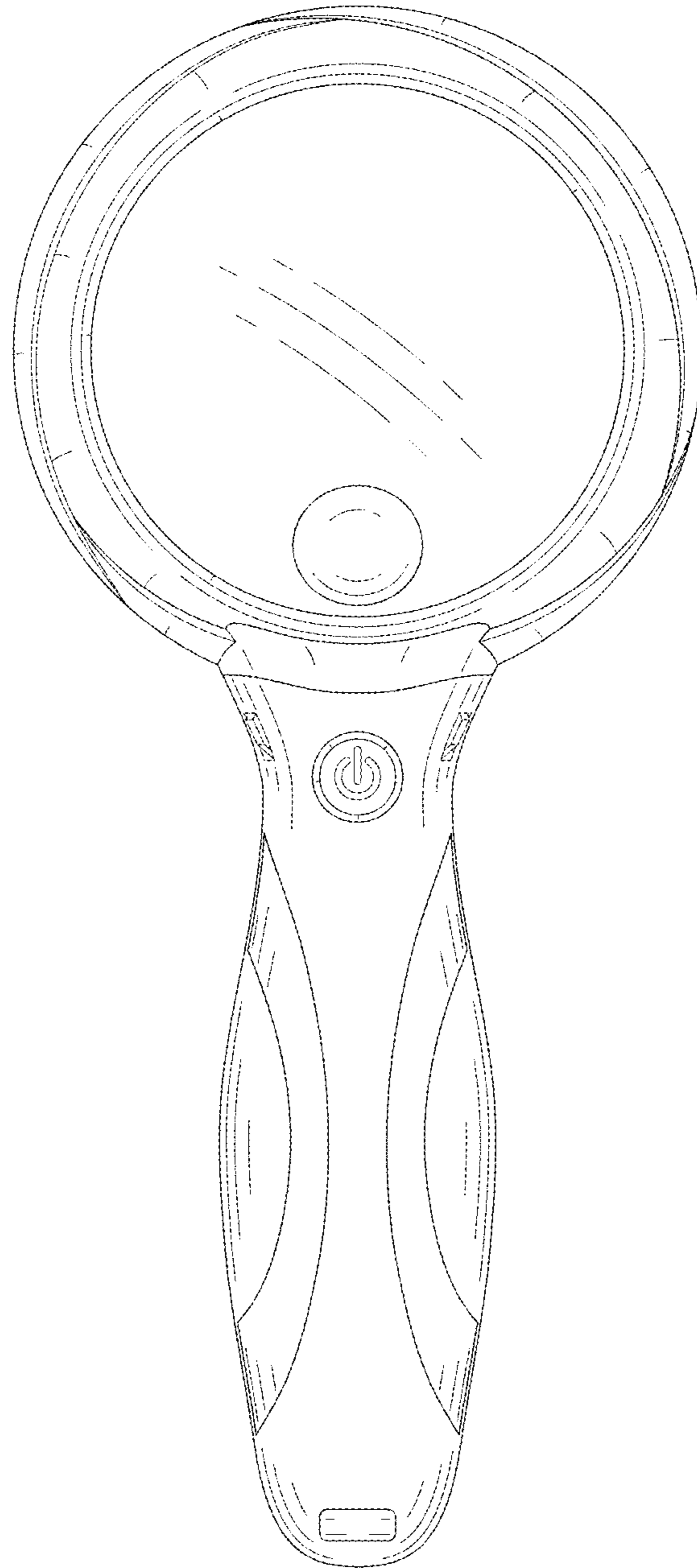


FIG. 2

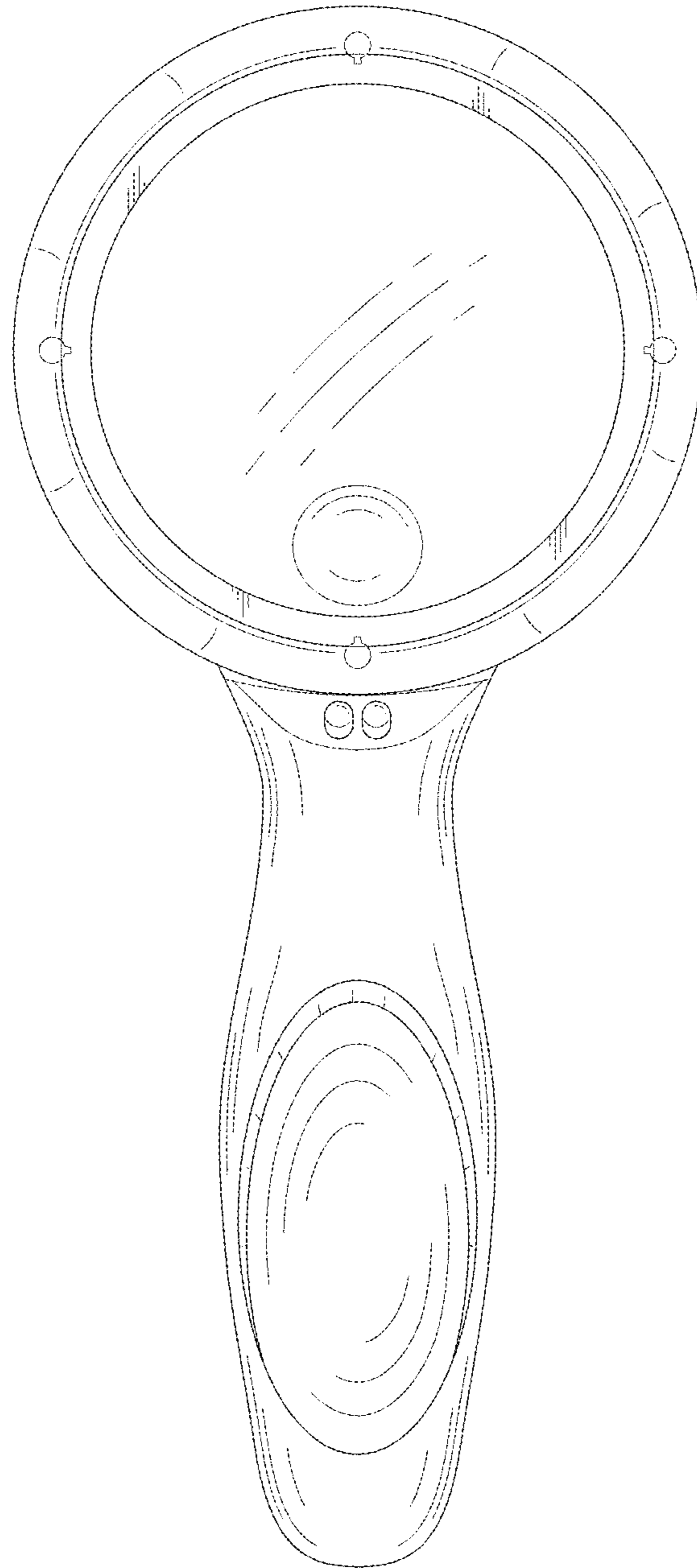


FIG. 3

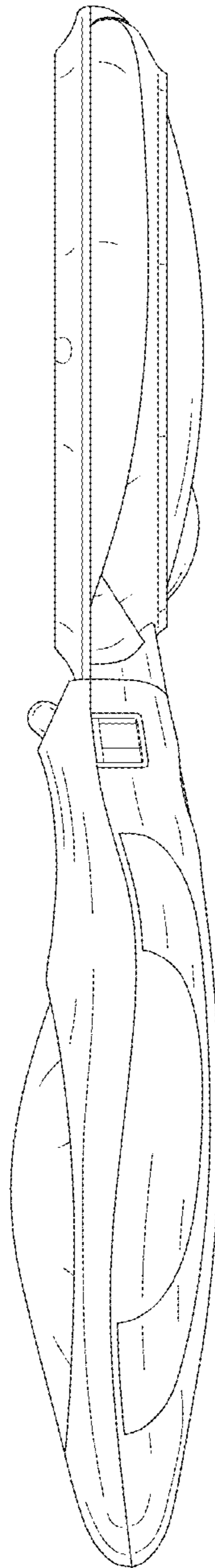


FIG. 4

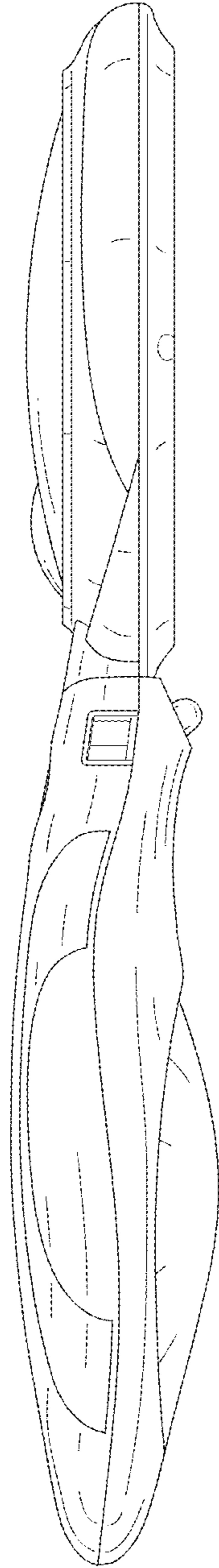


FIG. 5

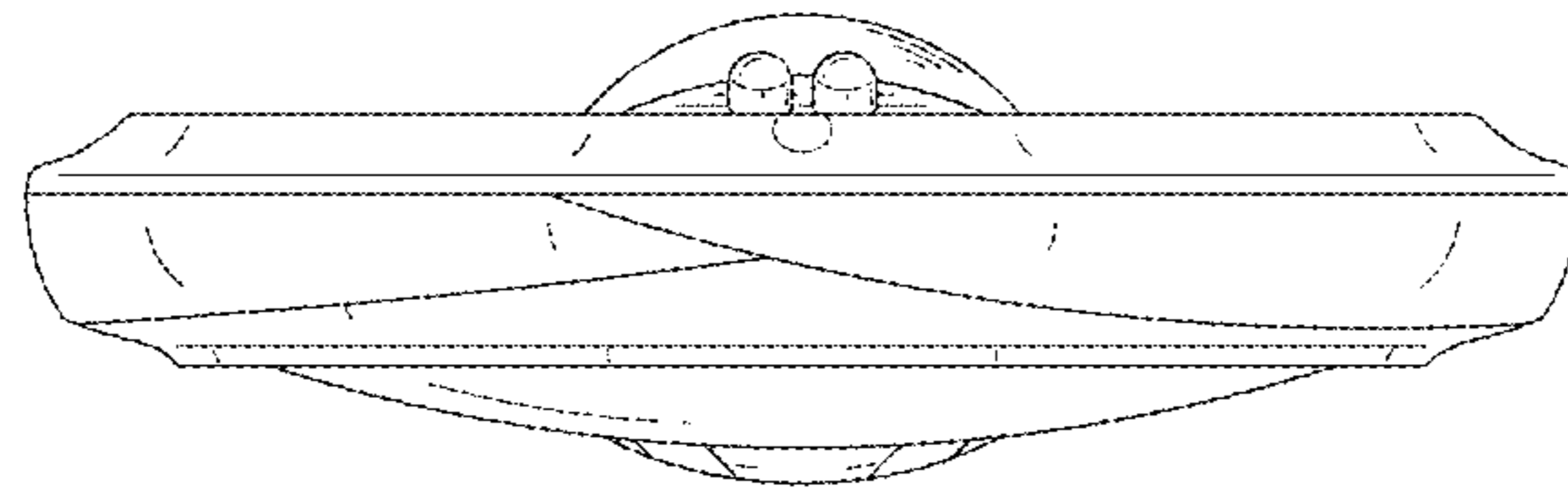


FIG. 6

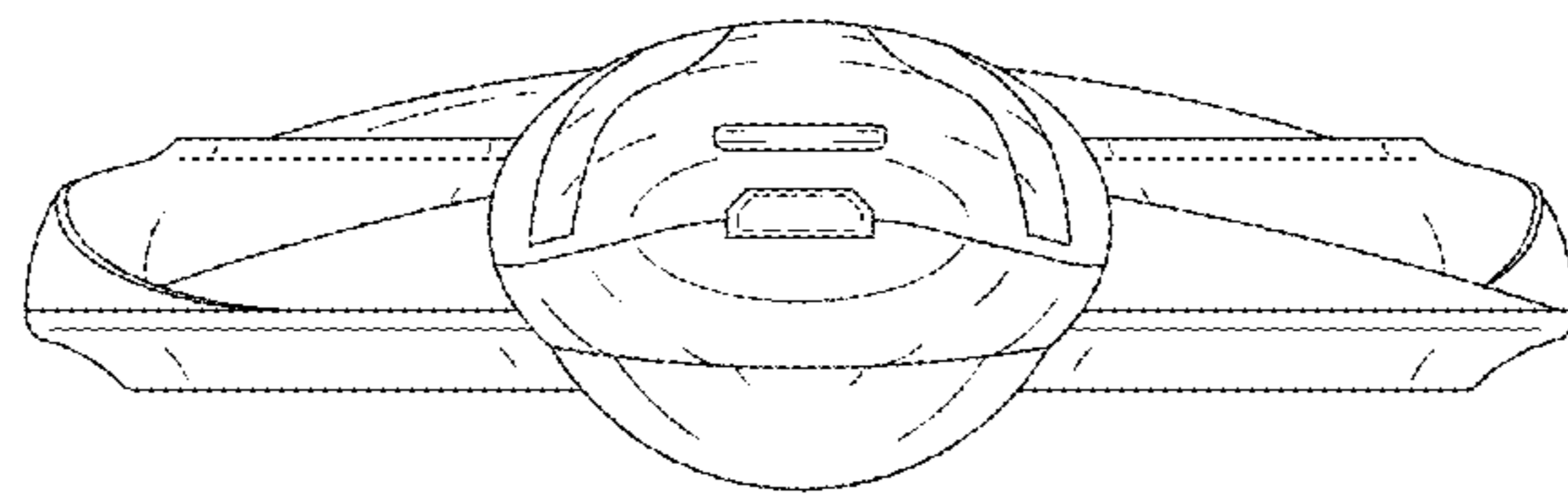


FIG. 7

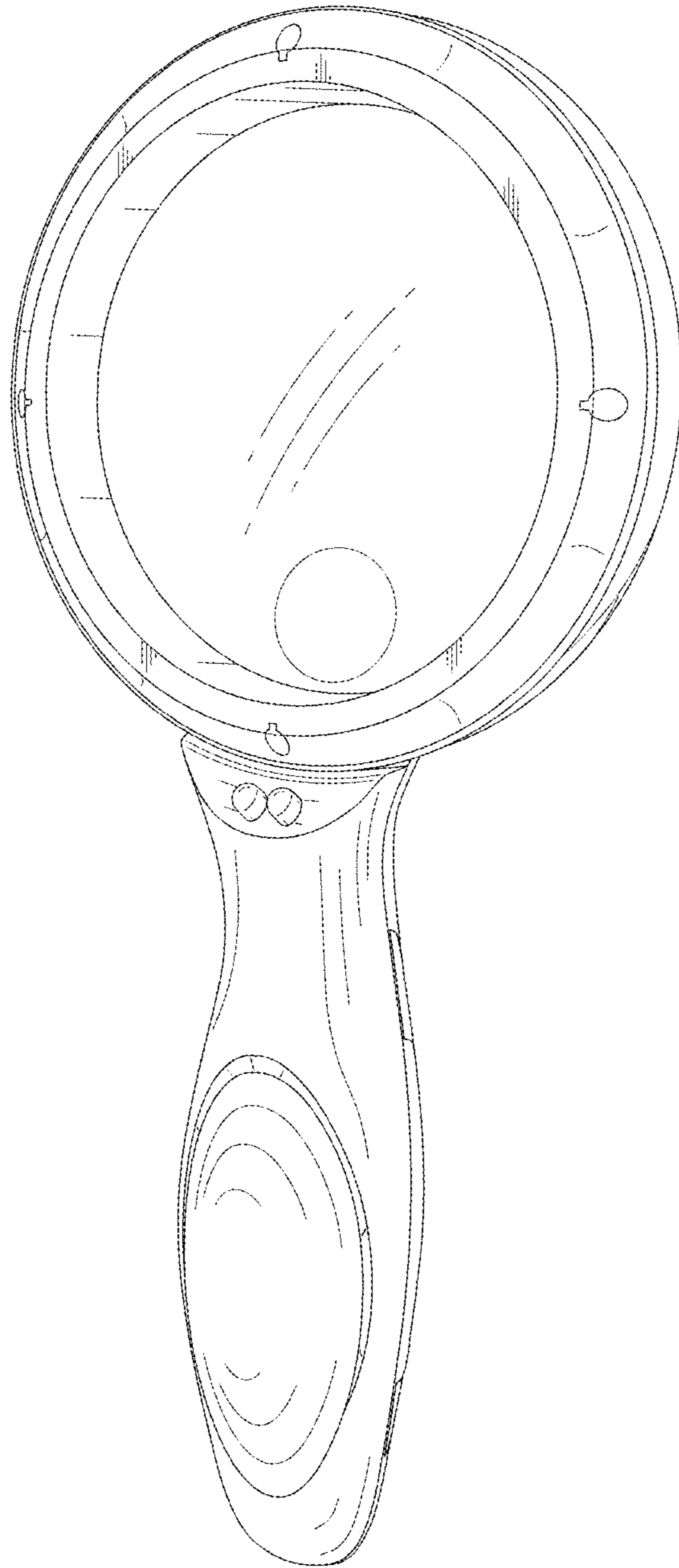


FIG. 8