



US00D905145S

(12) **United States Design Patent**
Ingerick et al.

(10) **Patent No.:** **US D905,145 S**

(45) **Date of Patent:** **** Dec. 15, 2020**

(54) **ROBOT**

(71) Applicant: **Wonder Workshop, Inc.**, San Mateo, CA (US)

(72) Inventors: **Chad Ingerick**, San Mateo, CA (US);
Charles Forth Rosenwasser, San Mateo, CA (US); **Jussi Timonen**, San Mateo, CA (US)

(73) Assignee: **Wonder Workshop, Inc.**, San Mateo, CA (US)

(**) Term: **15 Years**

(21) Appl. No.: **29/676,116**

(22) Filed: **Jan. 8, 2019**

(51) **LOC (12) Cl.** **15-99**

(52) **U.S. Cl.**
USPC **D15/199**

(58) **Field of Classification Search**
USPC D15/199; D21/578-583, 621, 622
CPC B25J 5/007; B60B 19/006; B62D 57/024;
H01F 7/0221; Y10S 901/01
See application file for complete search history.

(56) **References Cited**

U.S. PATENT DOCUMENTS

D292,110 S *	9/1987	Tamakoshi	D21/578
D410,479 S *	6/1999	Sawai	D16/202
D549,756 S *	8/2007	Park	D15/199
D552,650 S *	10/2007	Yamakawa	D16/203
D614,251 S *	4/2010	Chung	D21/578
D636,445 S *	4/2011	Avery	D21/405
D639,353 S *	6/2011	Stibolt	D21/578
D672,408 S *	12/2012	Ohler	D21/578
D685,438 S *	7/2013	Fan	D21/578
D710,953 S *	8/2014	Katsutani	D21/578
D725,514 S *	3/2015	Broadbent	D10/74
D734,821 S *	7/2015	Greaves	D21/578

D741,931 S *	10/2015	Huang	D16/202
D742,955 S *	11/2015	Kozko	D16/218
D751,619 S *	3/2016	Jeong	D16/203
D753,204 S *	4/2016	Luo	D16/202
D753,206 S *	4/2016	Ravat	D16/203
D757,835 S *	5/2016	Tabuchi	D16/203
D761,894 S *	7/2016	Ho	D15/199
D780,855 S *	3/2017	Lambert	D21/621
D793,145 S *	8/2017	Huang	D7/306
D809,040 S *	1/2018	Webb, II	D15/199
D813,290 S *	3/2018	Song	D16/203
D813,926 S *	3/2018	Shin	D16/203
D815,677 S *	4/2018	Gao	D16/218

(Continued)

Primary Examiner — Patricia A Palasik

(74) *Attorney, Agent, or Firm* — Jeffrey Schox; Diana Lin

(57) **CLAIM**

The ornamental design for a robot, as shown and described.

DESCRIPTION

FIG. 1 is an isometric view, from the top right, of a first embodiment of the robot.

FIG. 2 is an isometric view, from the bottom left, of the first embodiment of the robot.

FIG. 3 is an elevation view from the front of the first embodiment of the robot.

FIG. 4 is an elevation view from the back of the first embodiment of the robot.

FIG. 5 is an elevation view from the right side of the first embodiment of the robot

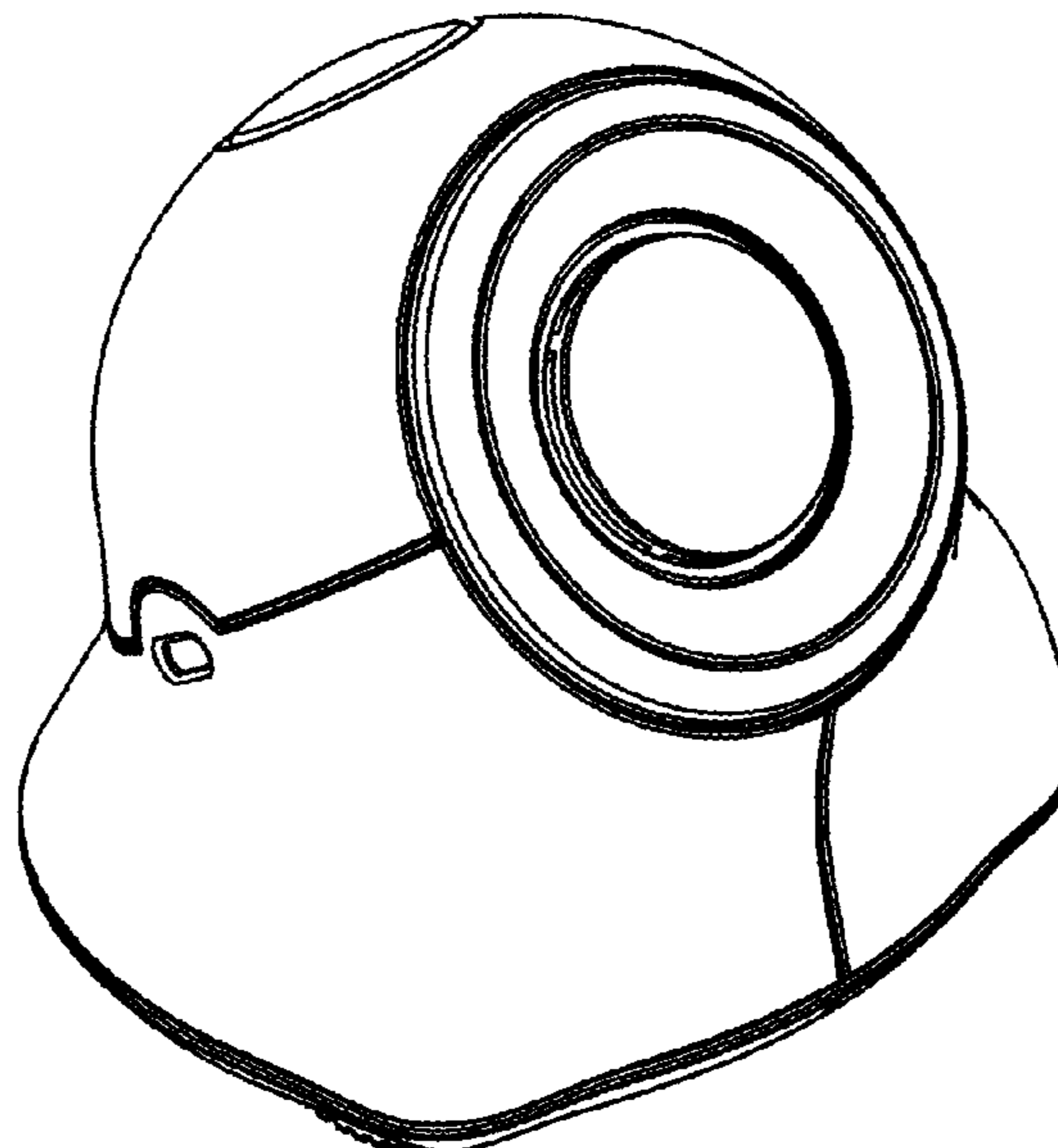
FIG. 6 is an elevation view from the left side of the first embodiment of the robot.

FIG. 7 is a plan view from the top of the first embodiment of the robot; and,

FIG. 8 is a plan view from the bottom of the first embodiment of the robot.

Any broken lines are understood to illustrative portions of the robot only and form no part of the claimed design.

1 Claim, 4 Drawing Sheets



(56)

References Cited

U.S. PATENT DOCUMENTS

D819,718	S	*	6/2018	Wu	D16/218
D820,337	S	*	6/2018	Li	D16/203
D822,740	S	*	7/2018	Tsai	D15/199
D823,367	S	*	7/2018	Tsai	D15/199
D823,917	S	*	7/2018	Bernazeau	D15/199
D824,984	S	*	8/2018	Zhiyong	D16/203
D832,327	S	*	10/2018	Miao	D15/199
D836,690	S	*	12/2018	Kim	D15/199
D837,854	S	*	1/2019	Zhou	D15/199
D838,758	S	*	1/2019	Kymm	D15/199
D849,094	S	*	5/2019	Gan	D16/203
D849,100	S	*	5/2019	Hsu	D16/210
D850,511	S	*	6/2019	Matsumoto	D16/218
D855,094	S	*	7/2019	Li	D15/199
D857,809	S	*	8/2019	Kataoka	D21/578
D863,402	S	*	10/2019	Guo	D16/203
D866,627	S	*	11/2019	Yun	D15/199
D868,907	S	*	12/2019	Liu	D21/578
D878,441	S	*	3/2020	Hayashi	D15/199
D878,490	S	*	3/2020	Hayashi	D21/578
D881,250	S	*	4/2020	Yao	D15/199
D881,967	S	*	4/2020	Zhang	D16/203
D890,864	S	*	7/2020	Na	D21/630
2007/0192910	A1	*	8/2007	Vu	B25J 9/0003 700/245
2018/0220548	A1	*	8/2018	Onuchin	H04N 5/2252

* cited by examiner

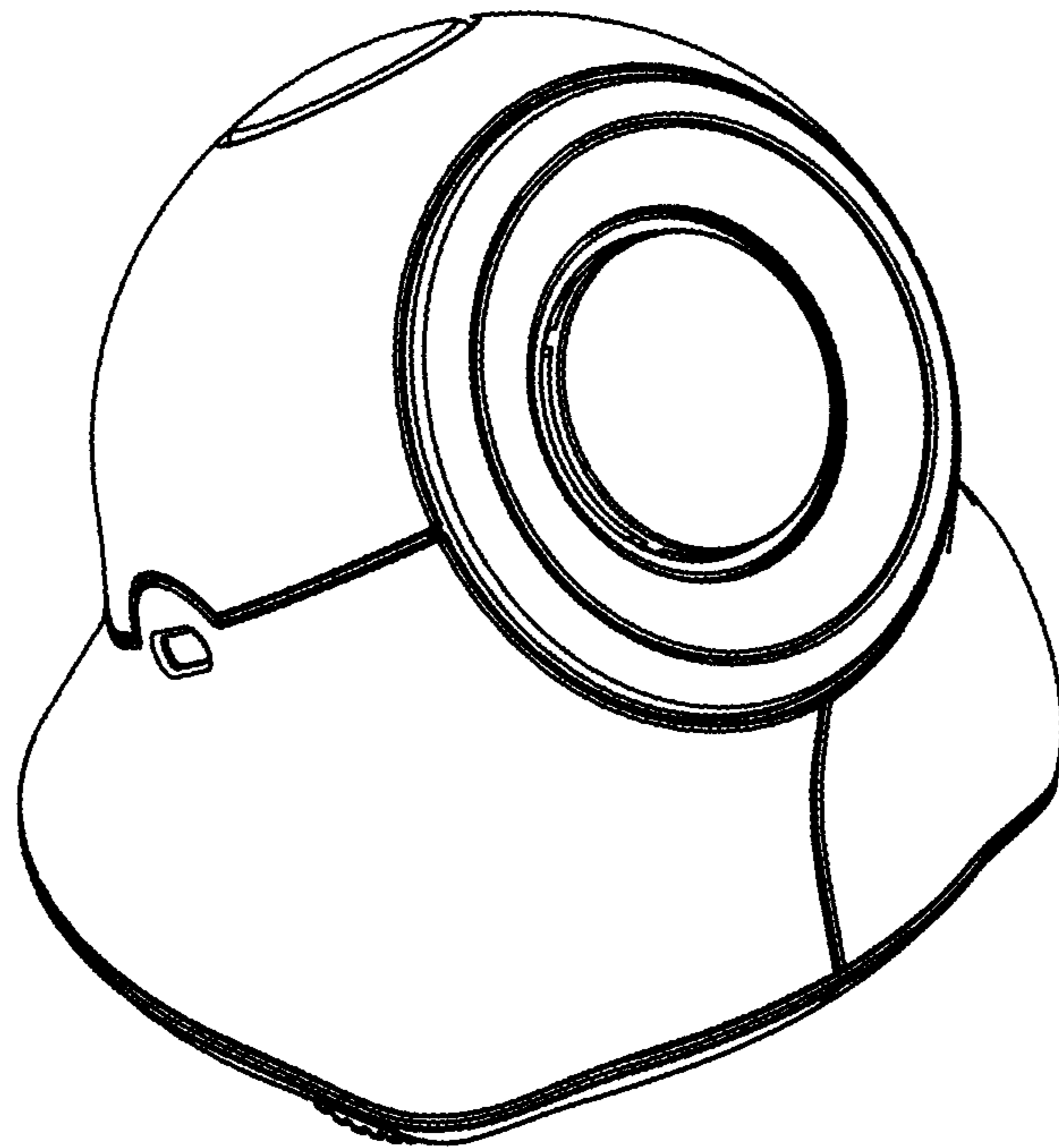


FIGURE 1

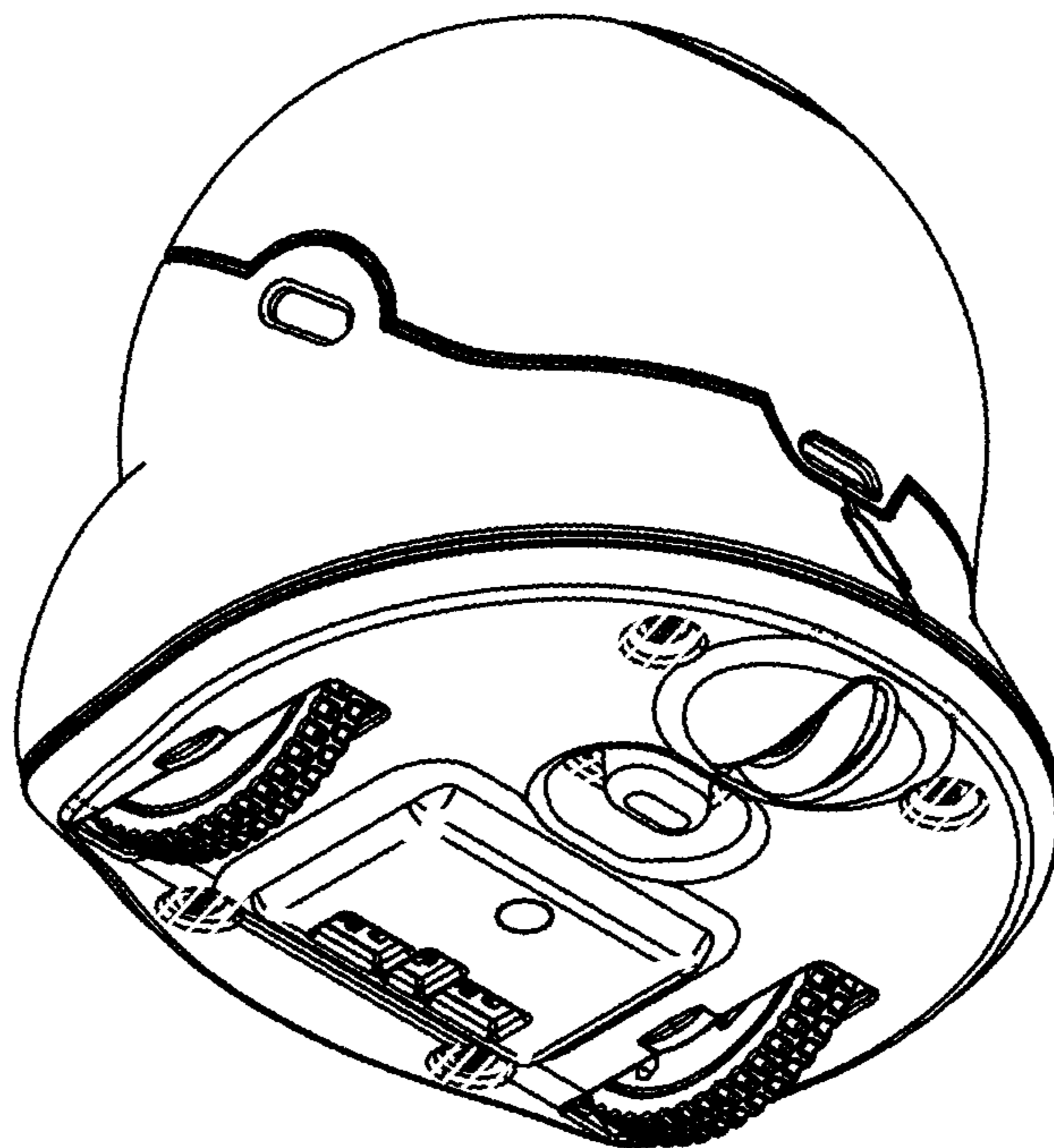


FIGURE 2

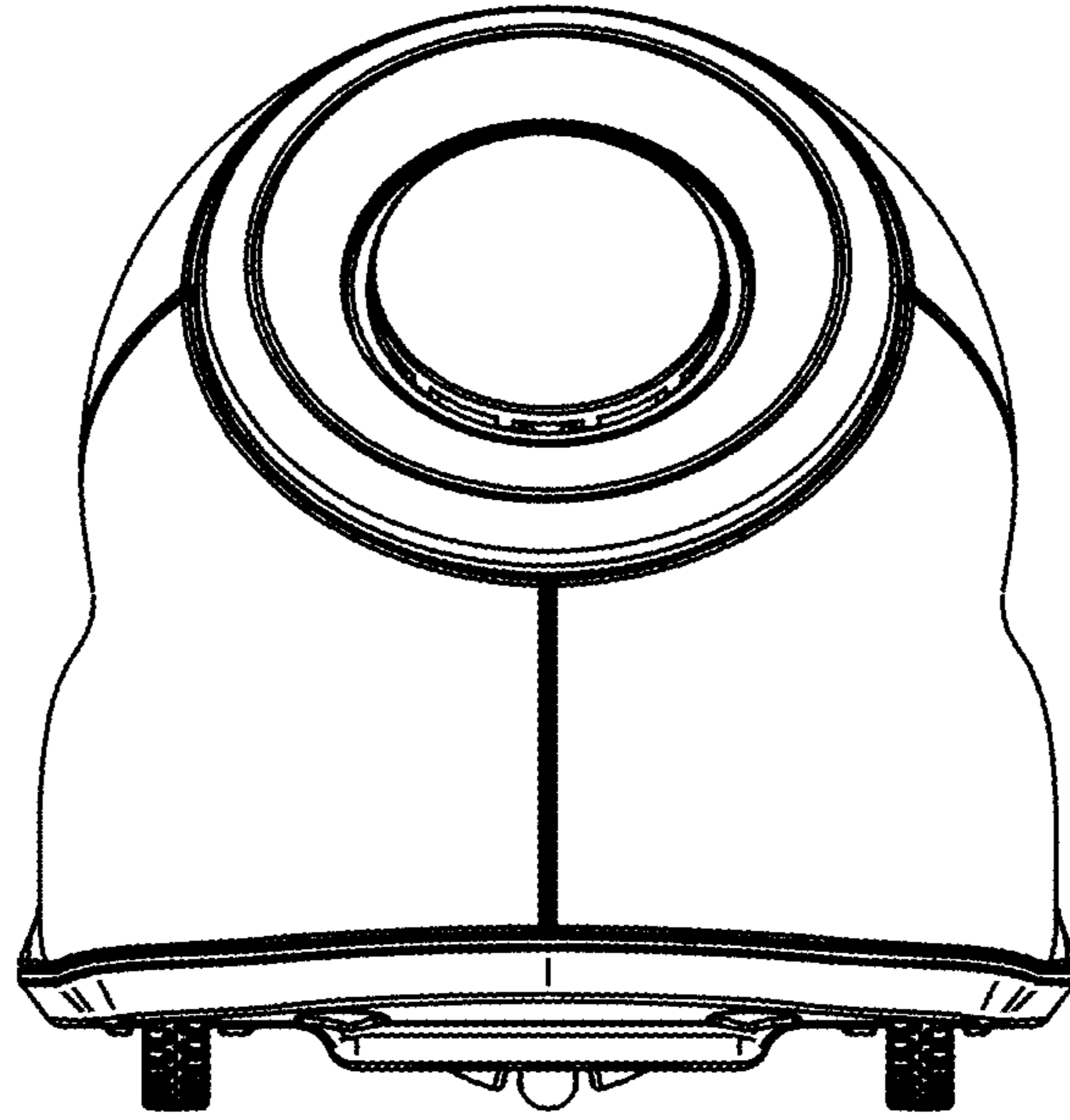


FIGURE 3

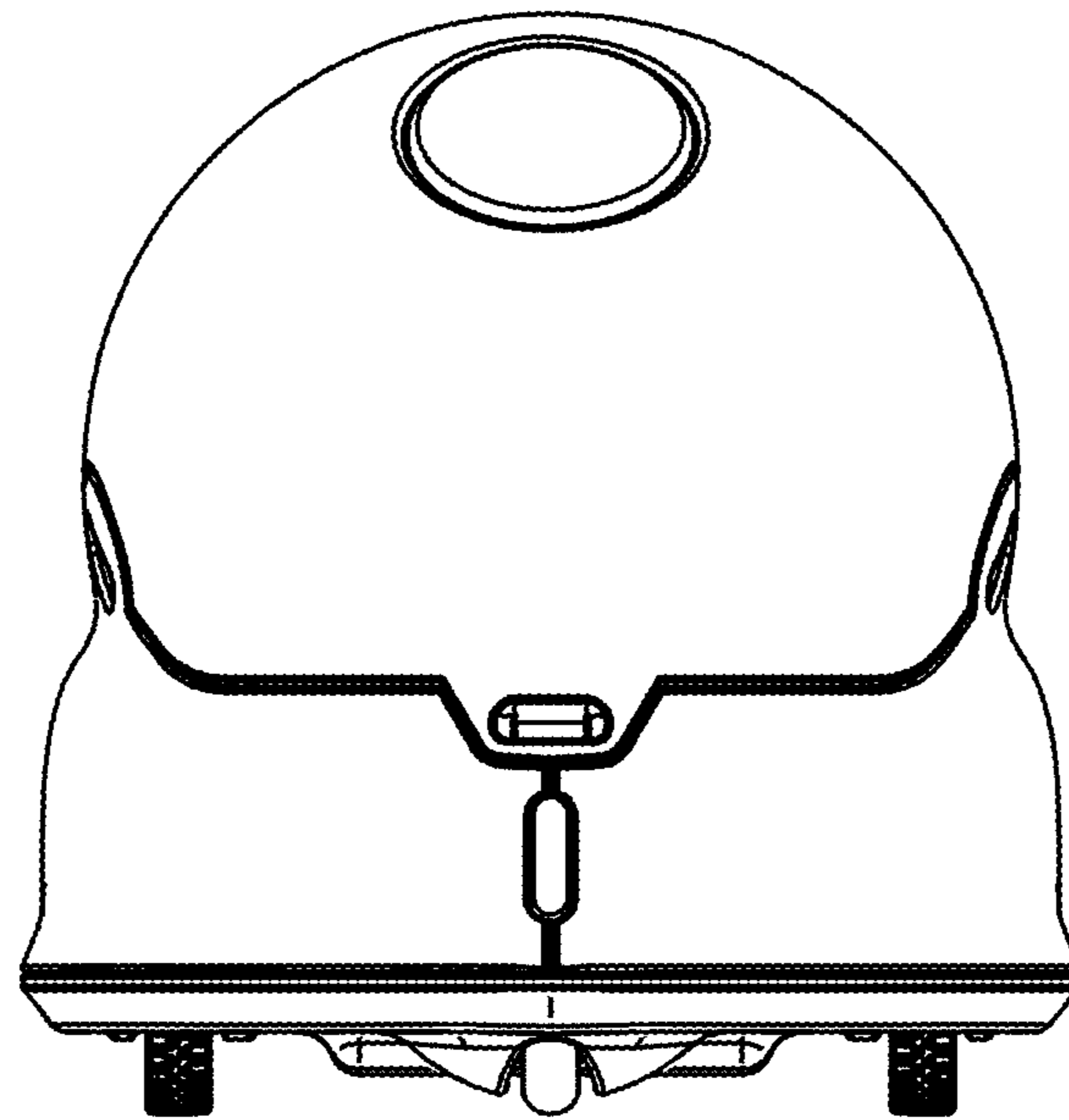


FIGURE 4

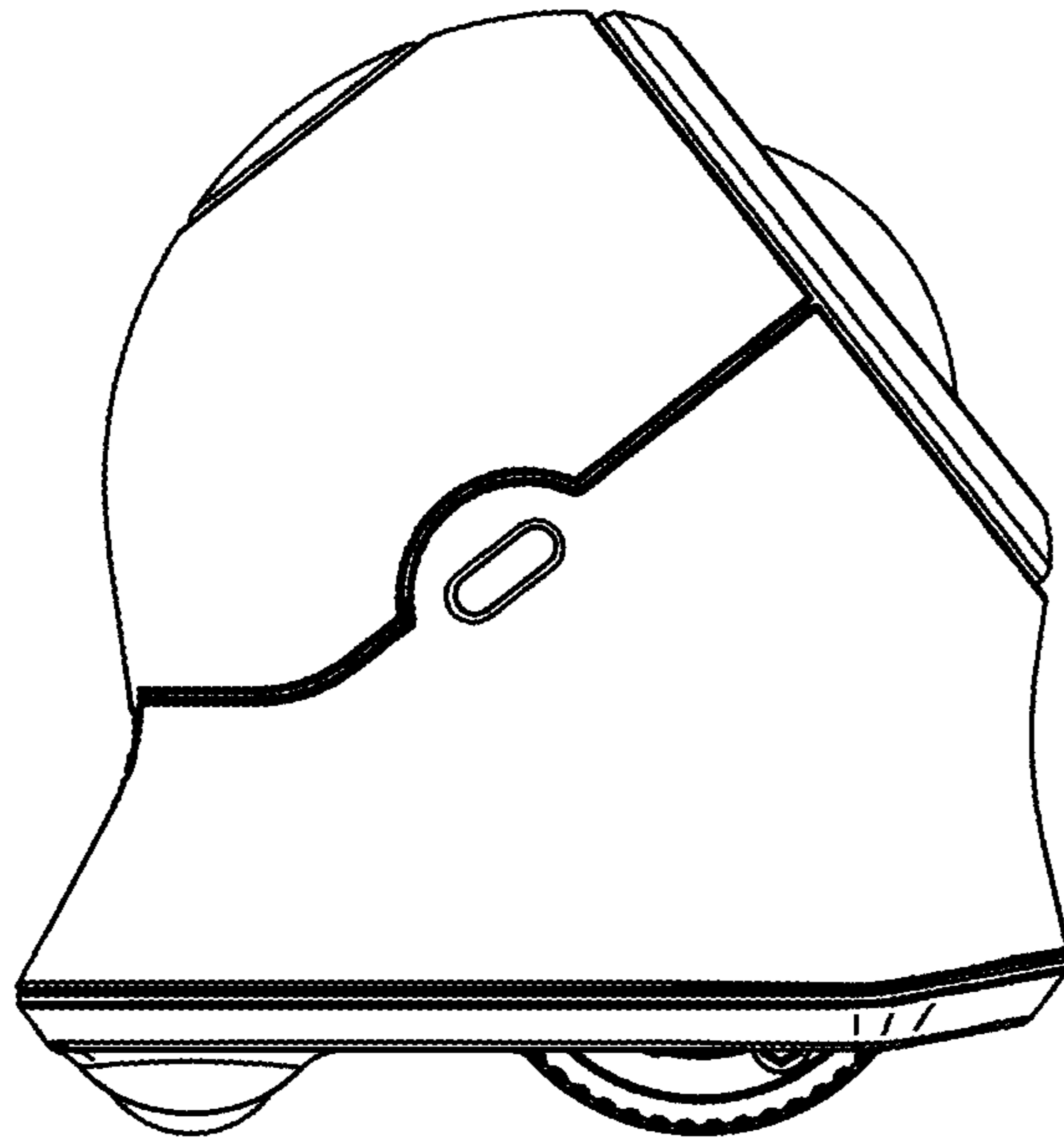


FIGURE 5

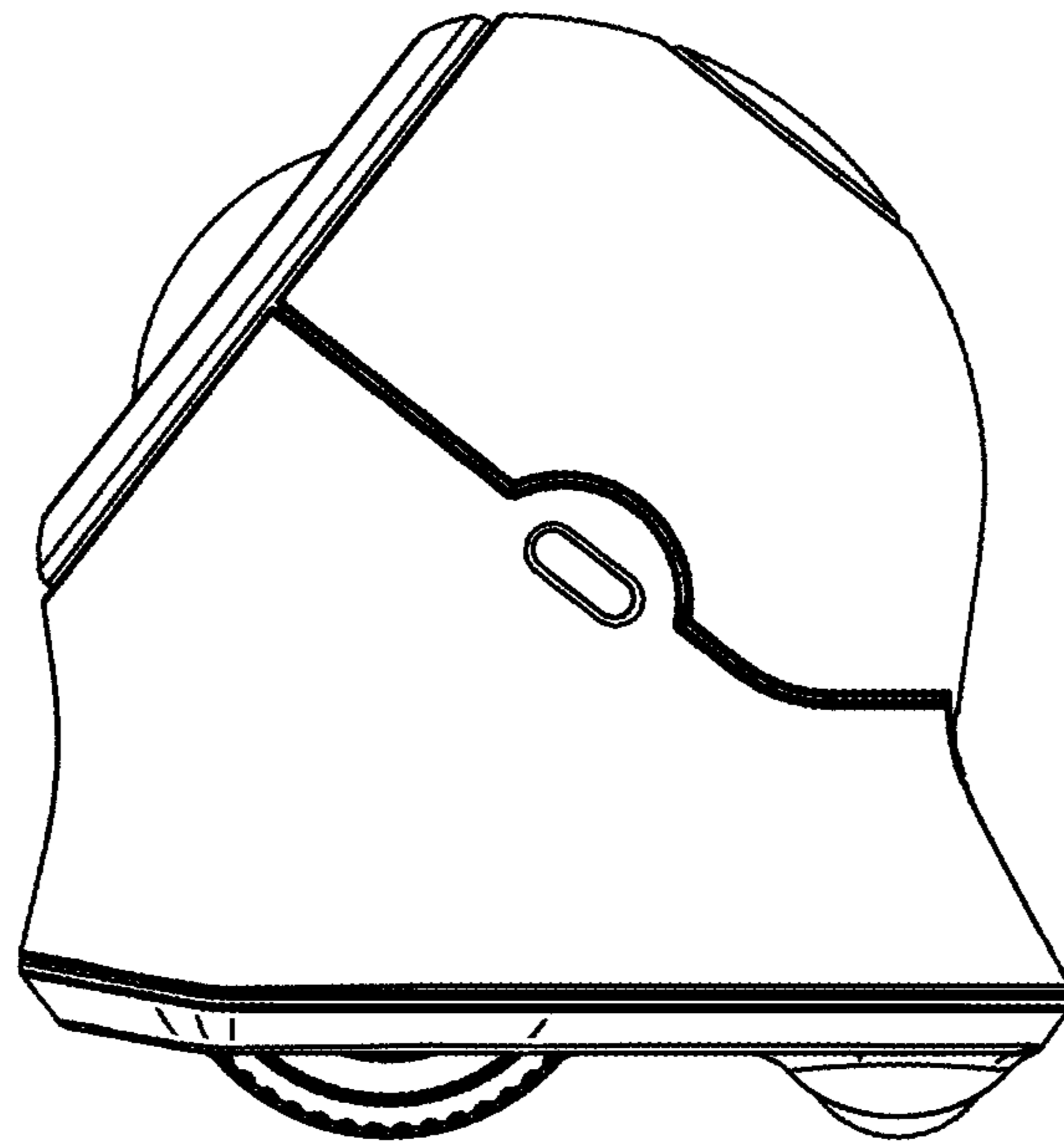


FIGURE 6

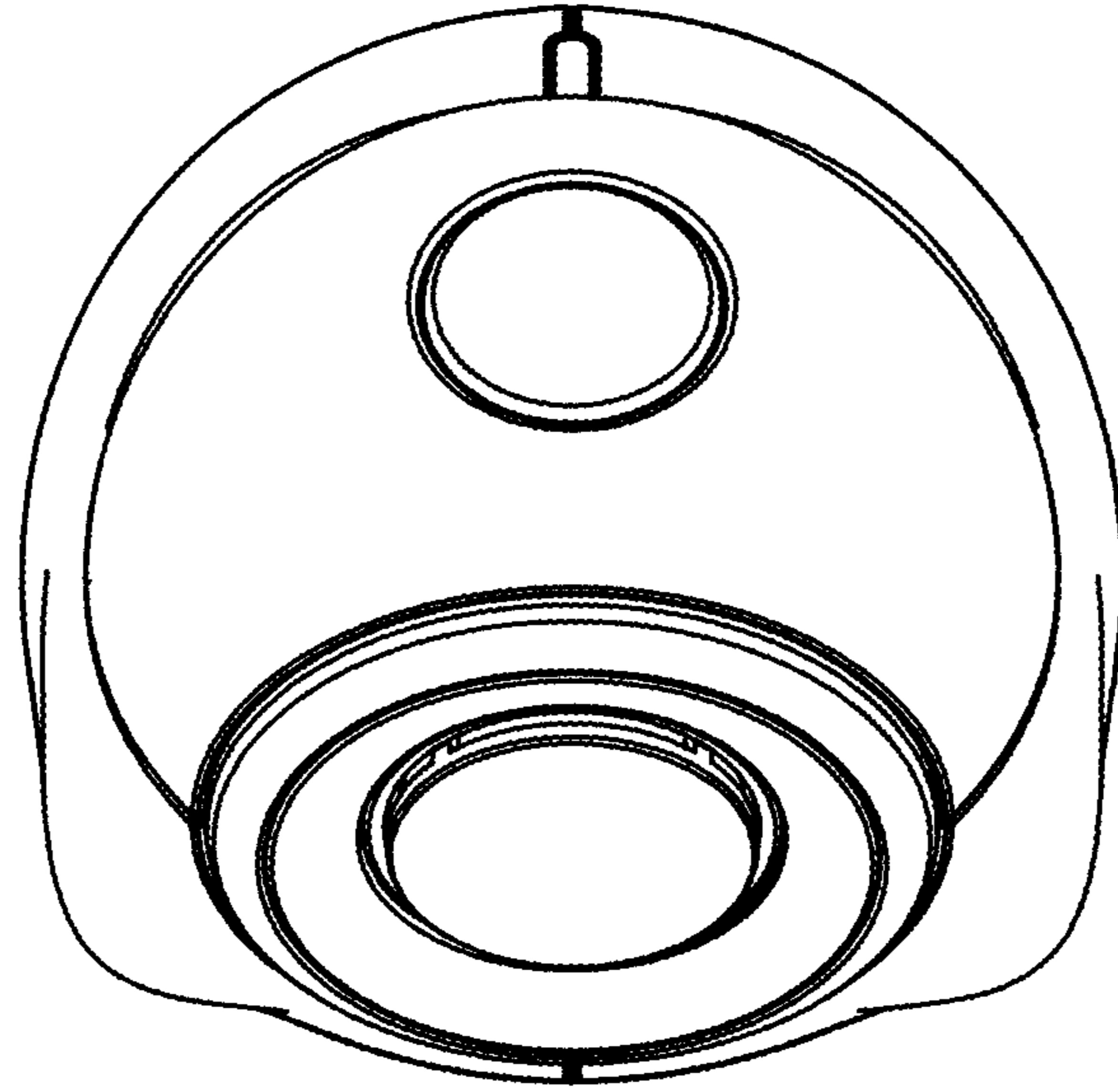


FIGURE 7

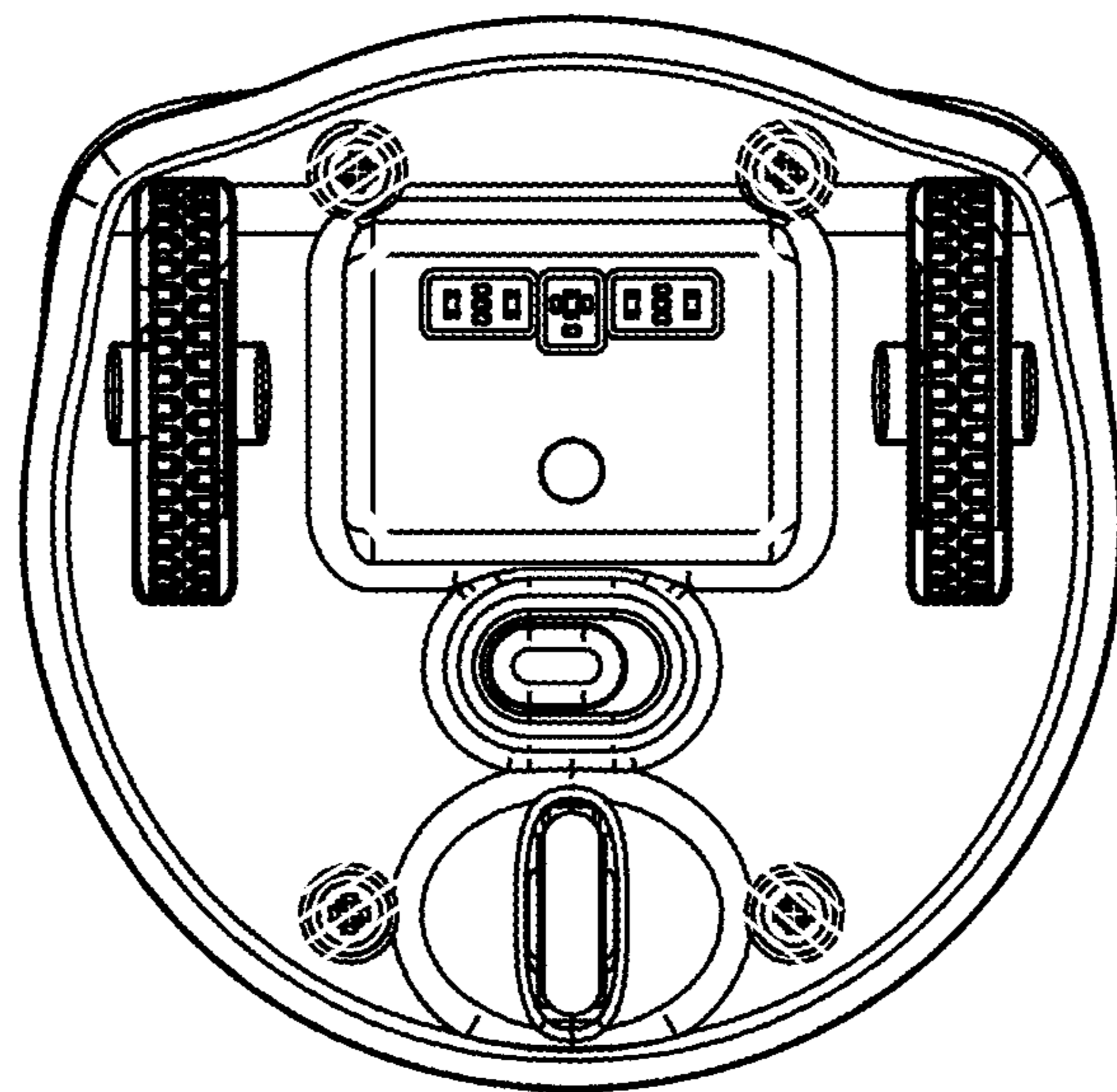


FIGURE 8