



US00D905142S

(12) **United States Design Patent**
Zhou

(10) **Patent No.:** **US D905,142 S**

(45) **Date of Patent:** **** Dec. 15, 2020**

(54) **LAMINATOR**

(71) Applicant: **GuangDong Geng Shun Technology Co., Ltd.**, Guangdong (CN)

(72) Inventor: **Xiao Feng Zhou**, Guangdong (CN)

(**) Term: **15 Years**

(21) Appl. No.: **29/704,110**

(22) Filed: **Sep. 1, 2019**

(51) **LOC (12) Cl.** **15-99**

(52) **U.S. Cl.**
USPC **D15/146**

(58) **Field of Classification Search**
USPC D7/609, 629; D15/145, 146; D18/50, D18/51, 53
CPC B23B 37/1018; B32B 39/00
See application file for complete search history.

(56) **References Cited**

U.S. PATENT DOCUMENTS

D342,271 S	*	12/1993	Keng	D15/146
D358,826 S	*	5/1995	Kuhns	D15/146
D440,992 S	*	4/2001	Parson	D15/146
D442,980 S	*	5/2001	Johnson	D15/146
D443,883 S	*	6/2001	Reuter	D15/146
D512,734 S	*	12/2005	Messina	D15/146
D544,508 S	*	6/2007	Beno	D15/146
D579,957 S	*	11/2008	Kiple	D15/145
D602,966 S	*	10/2009	Kiple	D15/146
D679,739 S	*	4/2013	Crutchley	D15/146
D686,649 S	*	7/2013	Zhou	D15/146
D687,079 S	*	7/2013	Mueller	D15/146

D854,065 S	*	7/2019	Owens	D15/146
D866,624 S	*	11/2019	Choi	D15/146
D881,245 S	*	4/2020	Zheng	D15/146

* cited by examiner

Primary Examiner — Michael C Stout

Assistant Examiner — Fritzgerald L Butac

(74) *Attorney, Agent, or Firm* — Prakash Nama; Global IP Services, PLLC

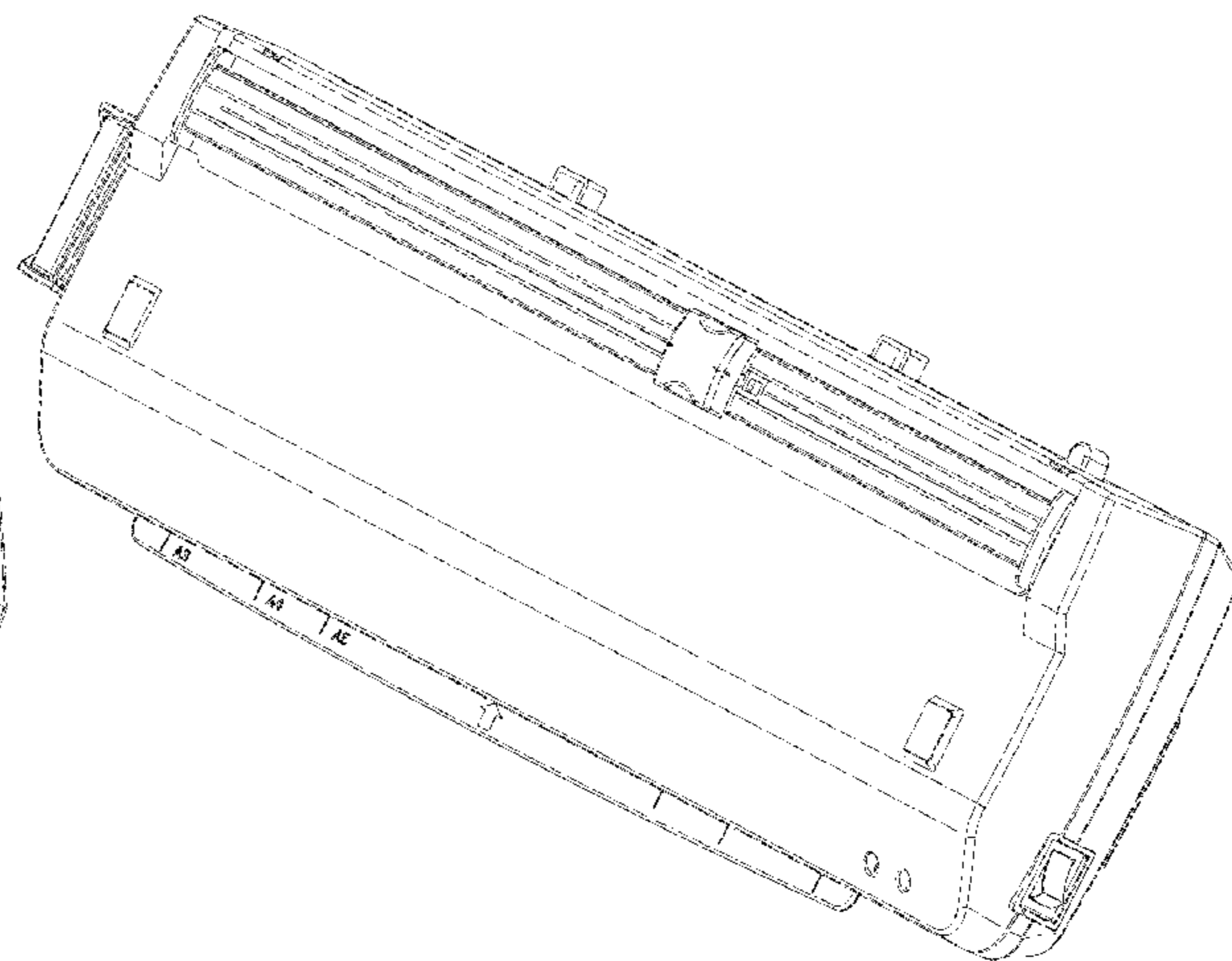
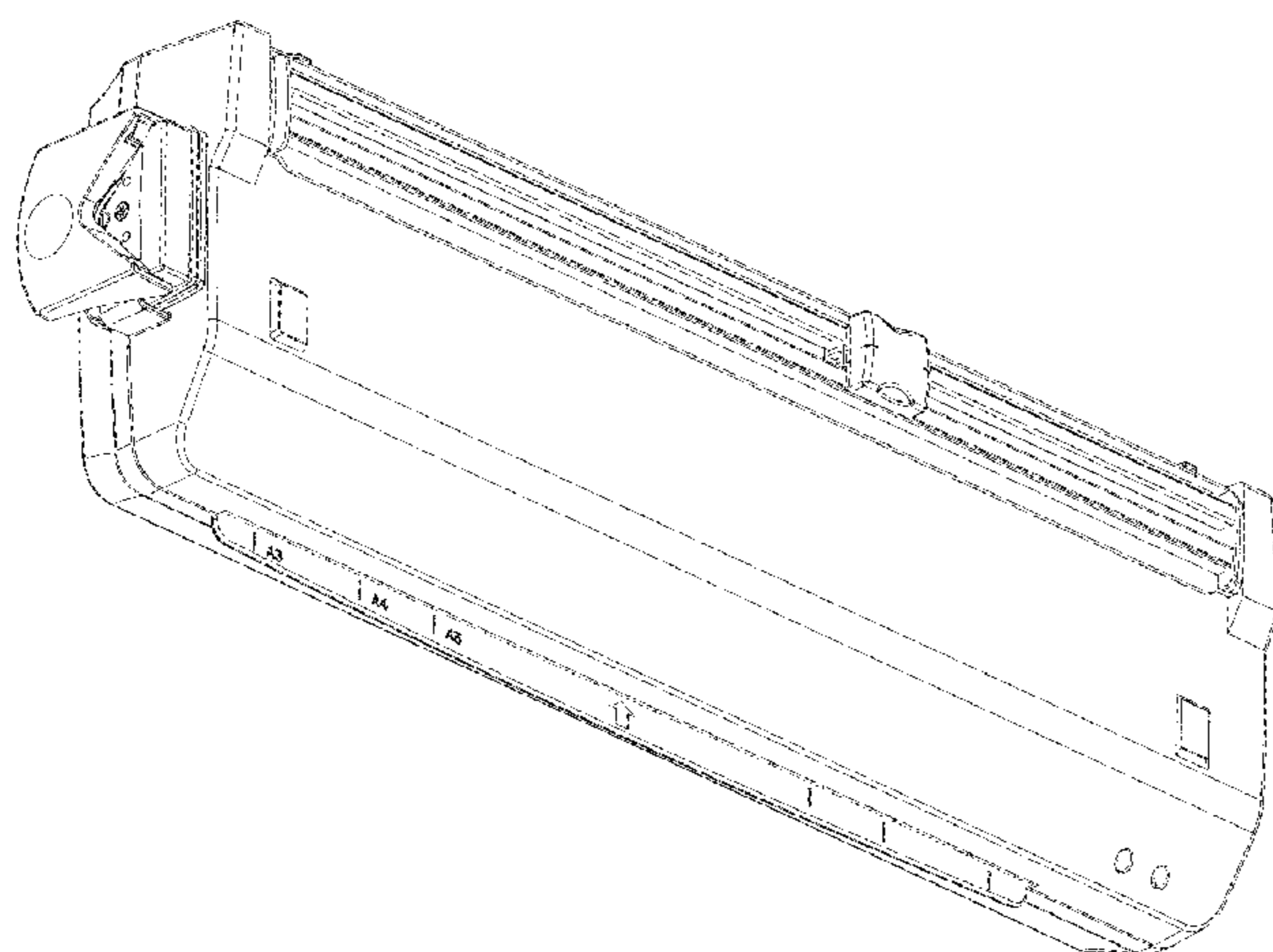
(57) **CLAIM**

The ornamental design for a laminator, as shown and described.

DESCRIPTION

FIG. 1 is a front elevational view of a laminator showing my new design;
FIG. 2 is a rear elevational view thereof;
FIG. 3 is a left side view thereof;
FIG. 4 is a right side view thereof;
FIG. 5 is a top plan view thereof;
FIG. 6 is a bottom plan view thereof;
FIG. 7 is a perspective view thereof;
FIG. 8 is a second perspective view thereof;
FIG. 9 is a third perspective view thereof;
FIG. 10 is a fourth perspective view thereof;
FIG. 11 is a fifth perspective view thereof; and,
FIG. 12 is a sixth perspective view thereof.
The broken lines show portions of a laminator that form no part of the claimed design.

1 Claim, 11 Drawing Sheets



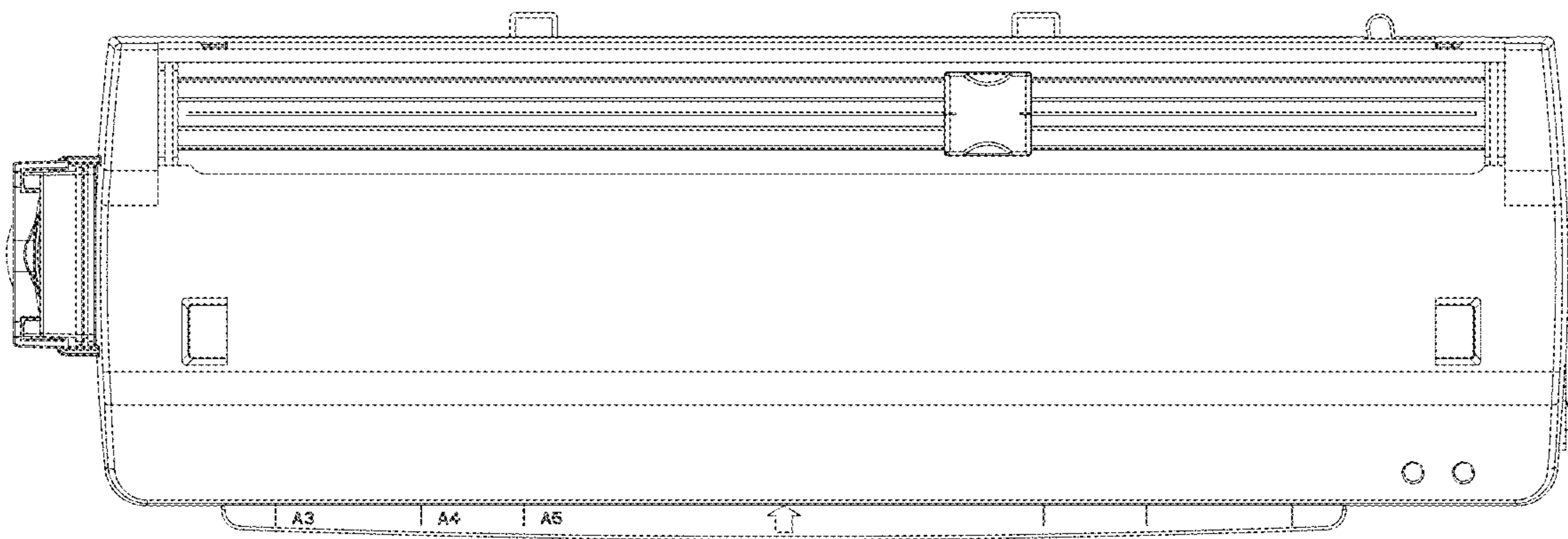


Fig. 1

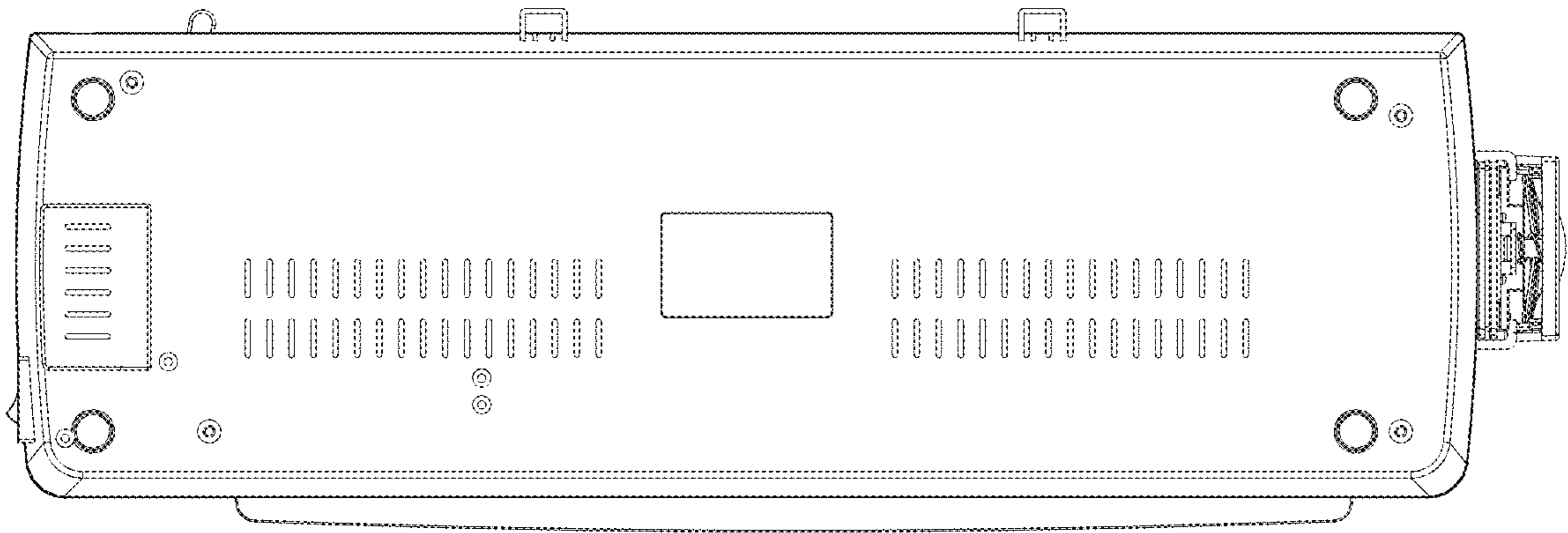


Fig. 2

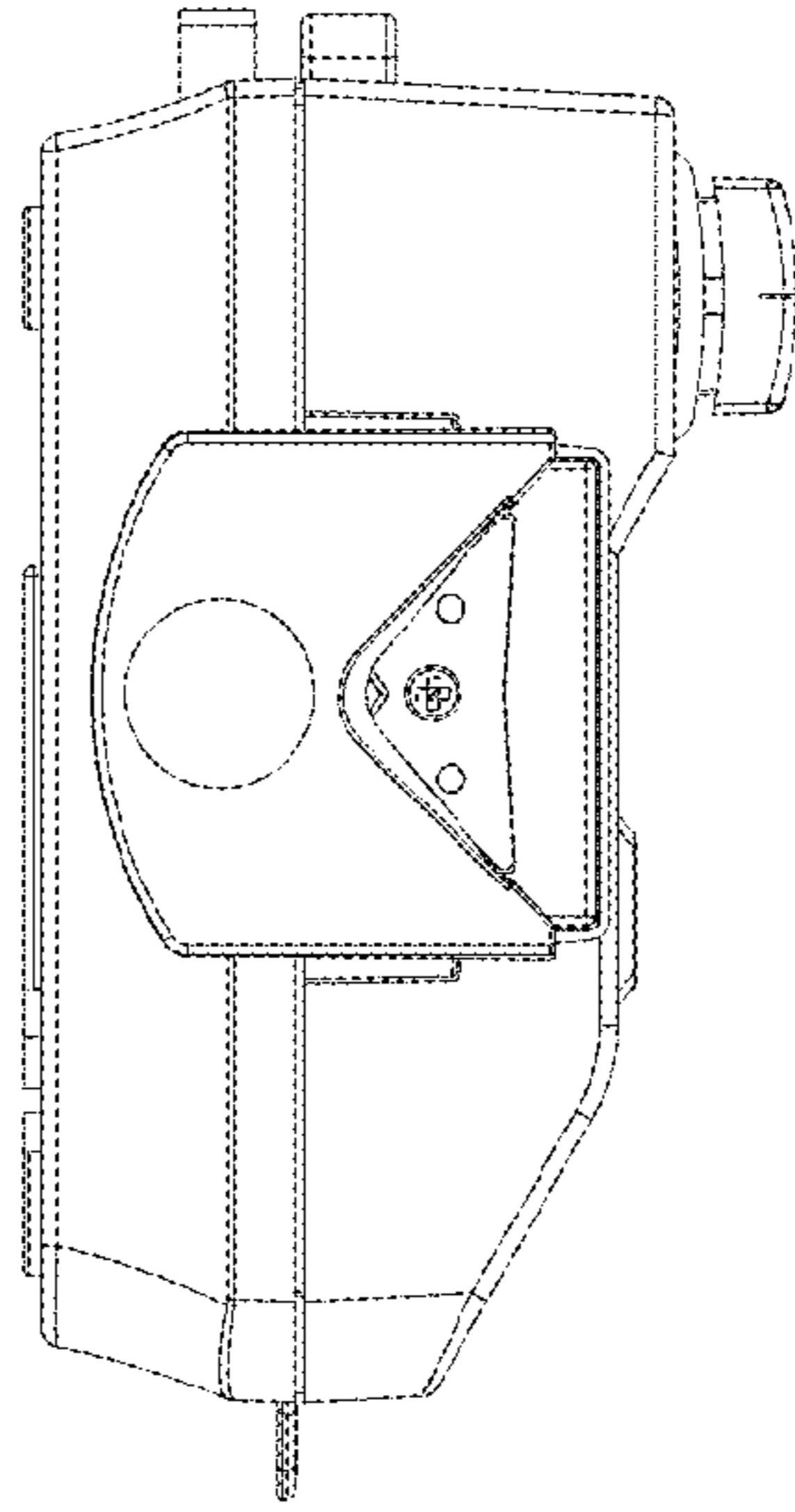


Fig. 3

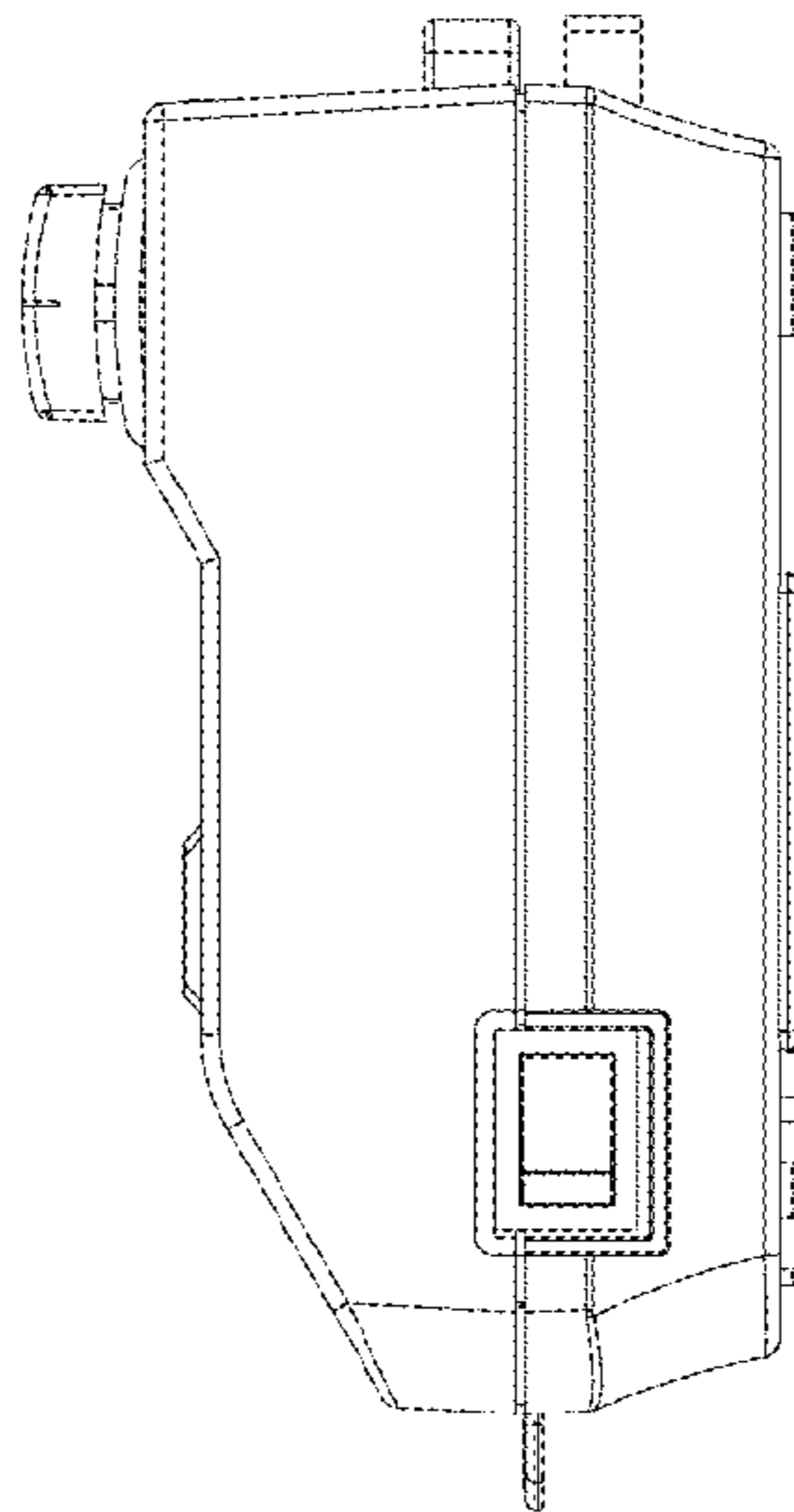


Fig. 4

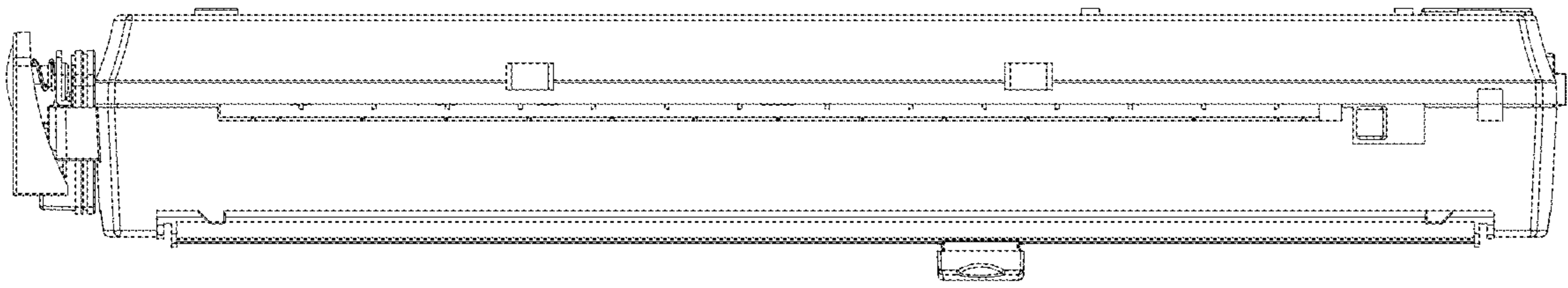


Fig. 5

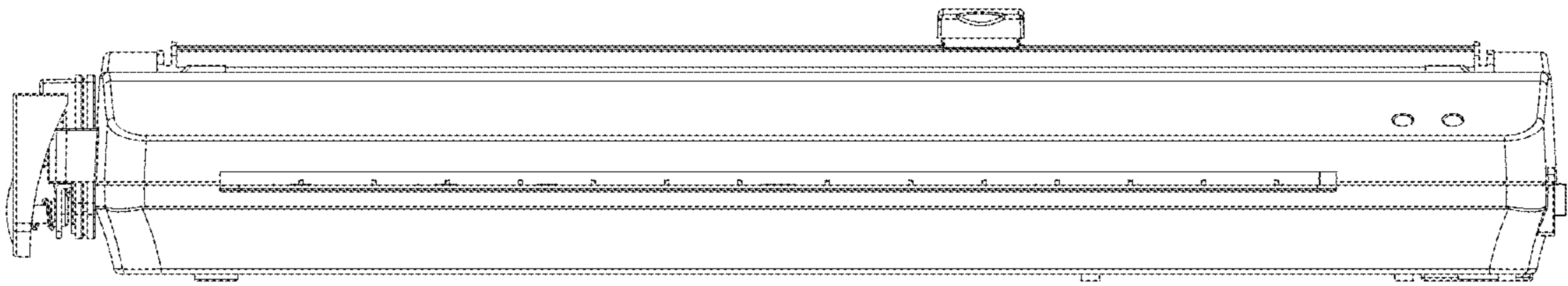


Fig. 6

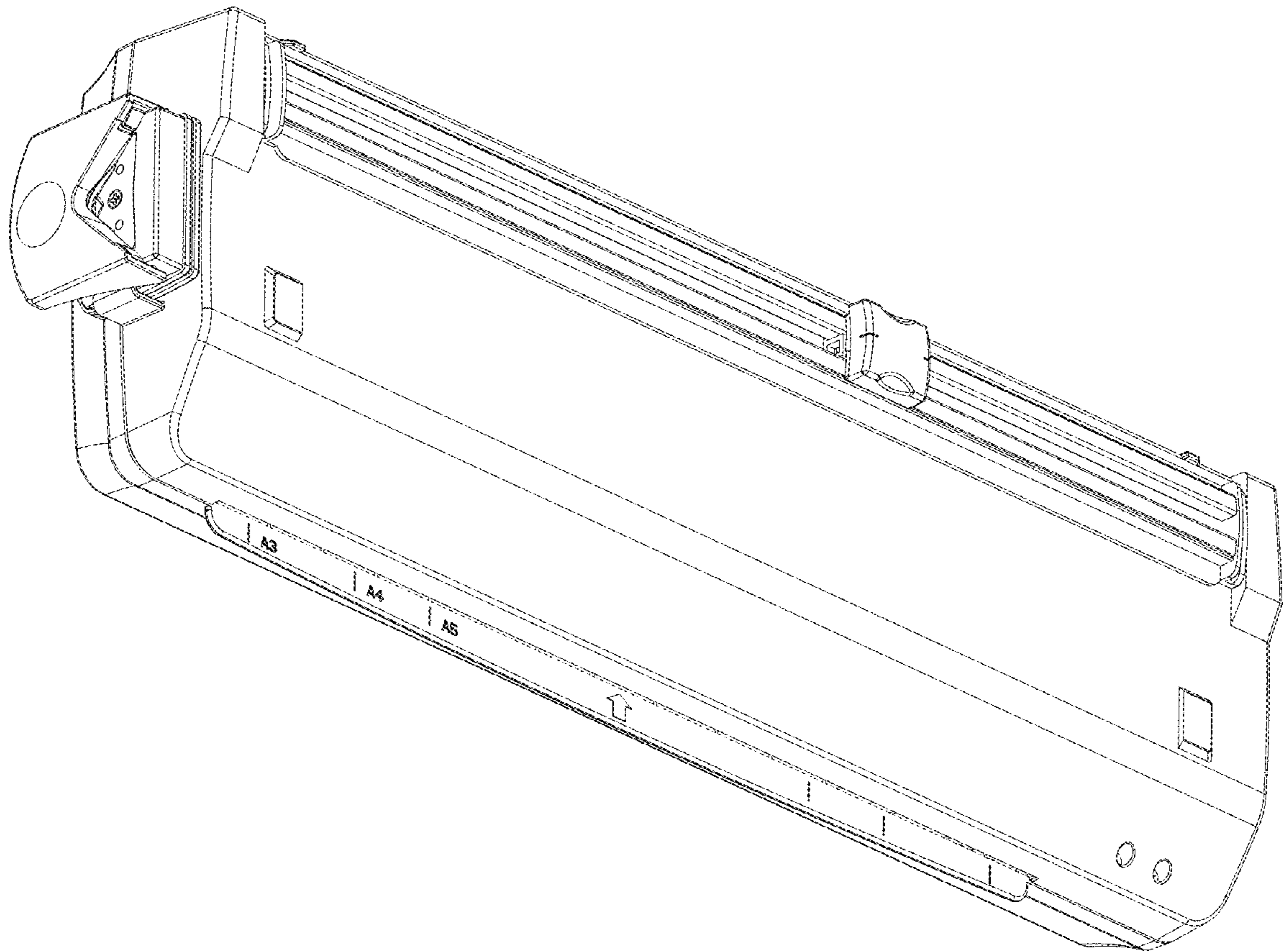


Fig. 7

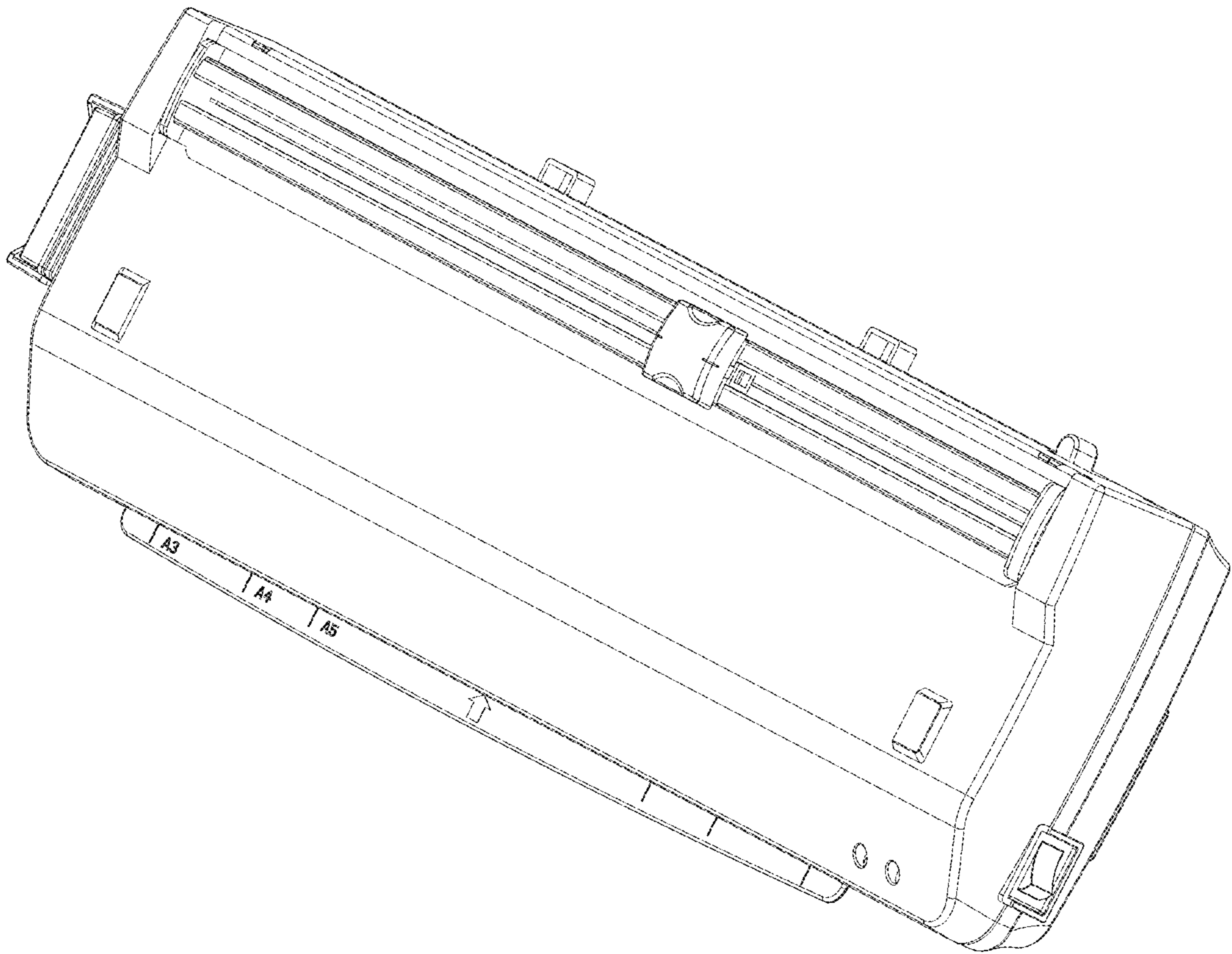


Fig. 8

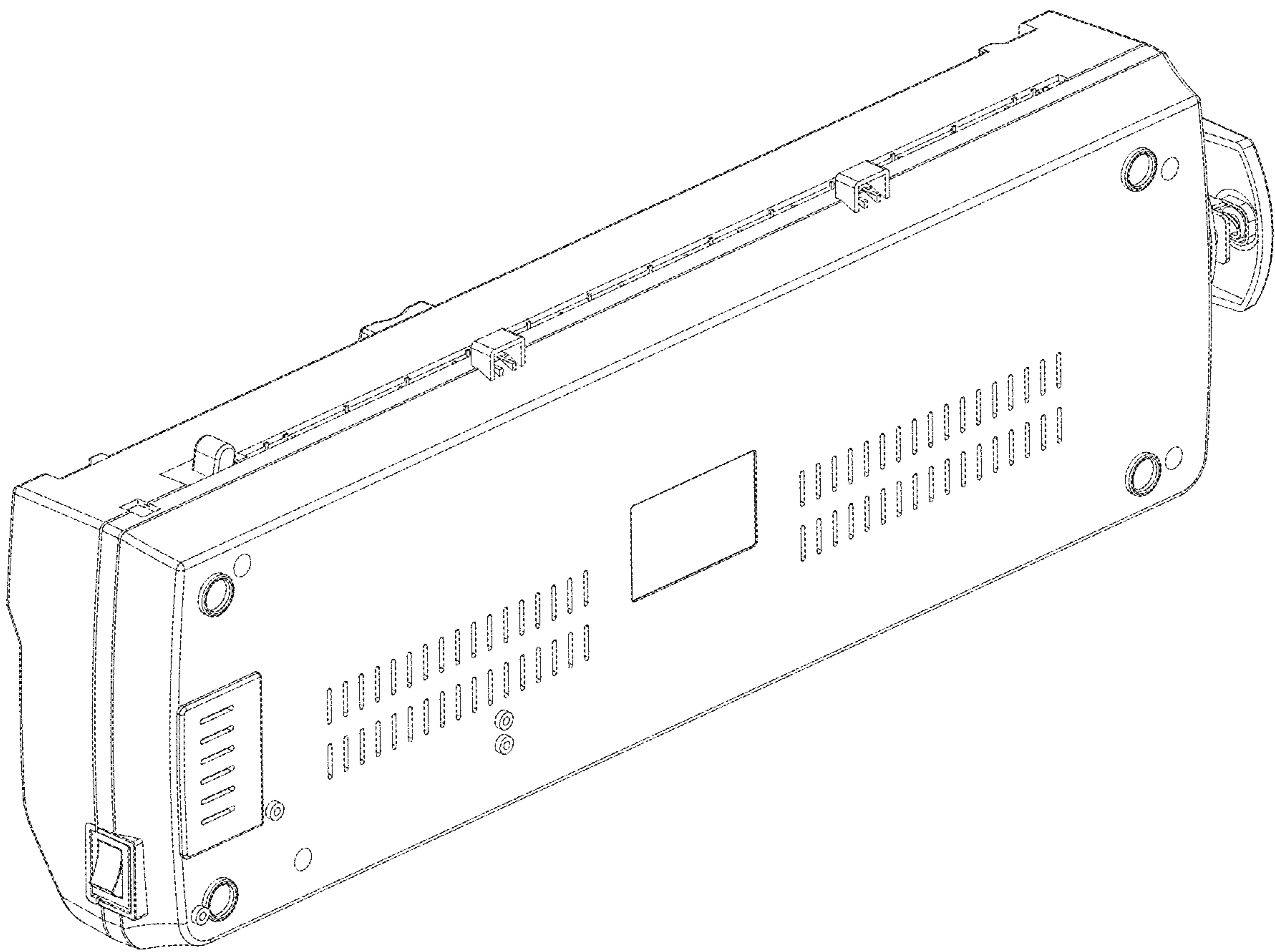


Fig. 9

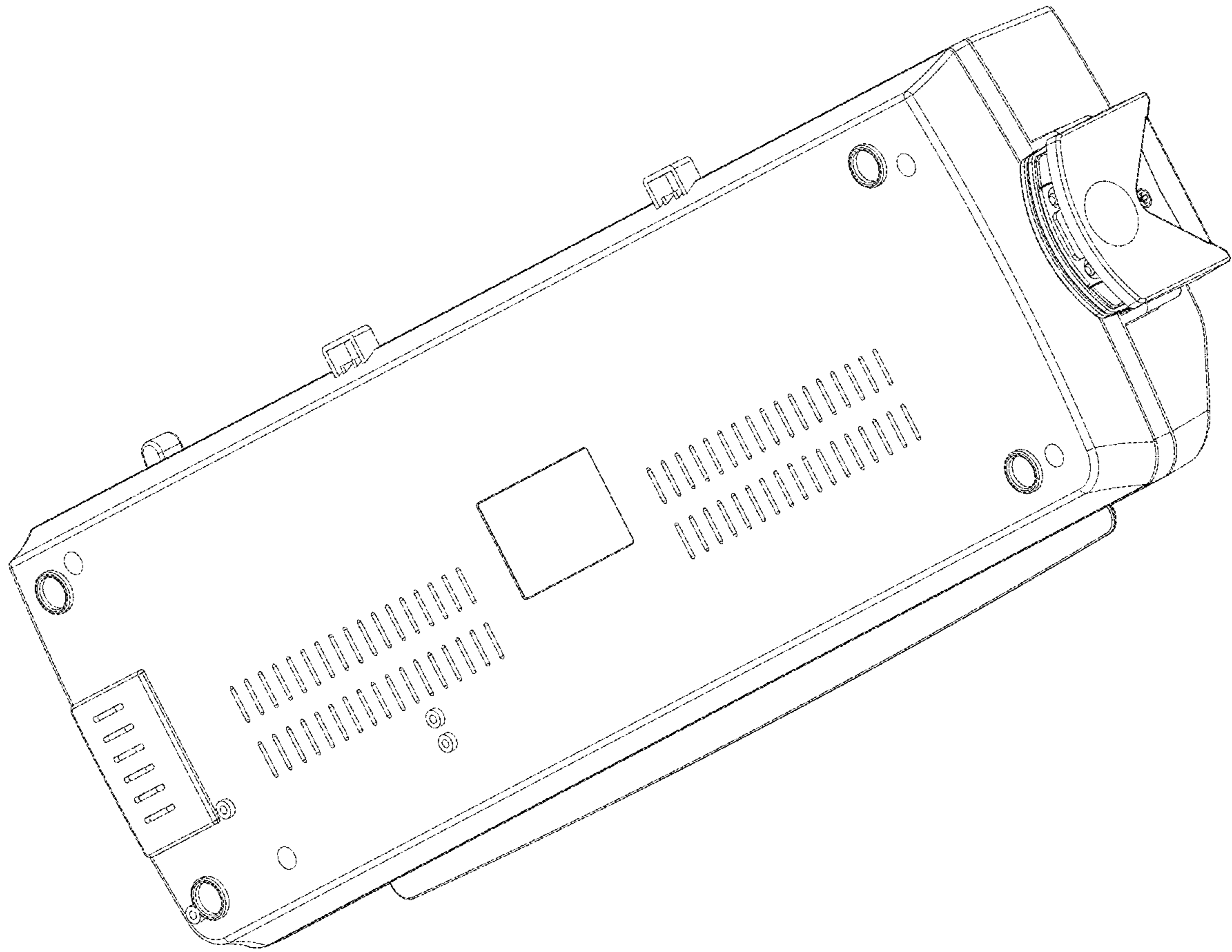


Fig. 10

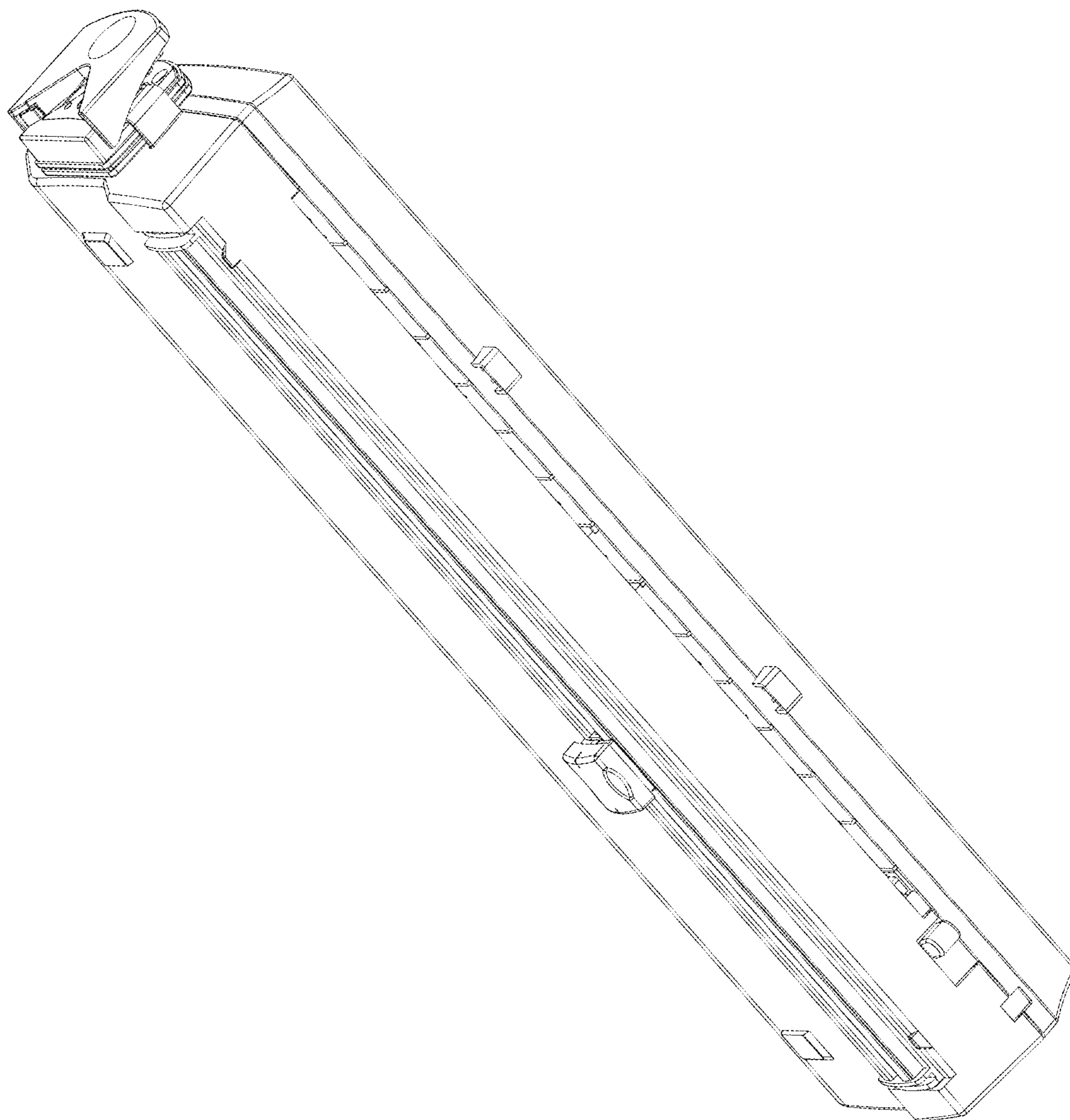


Fig. 11

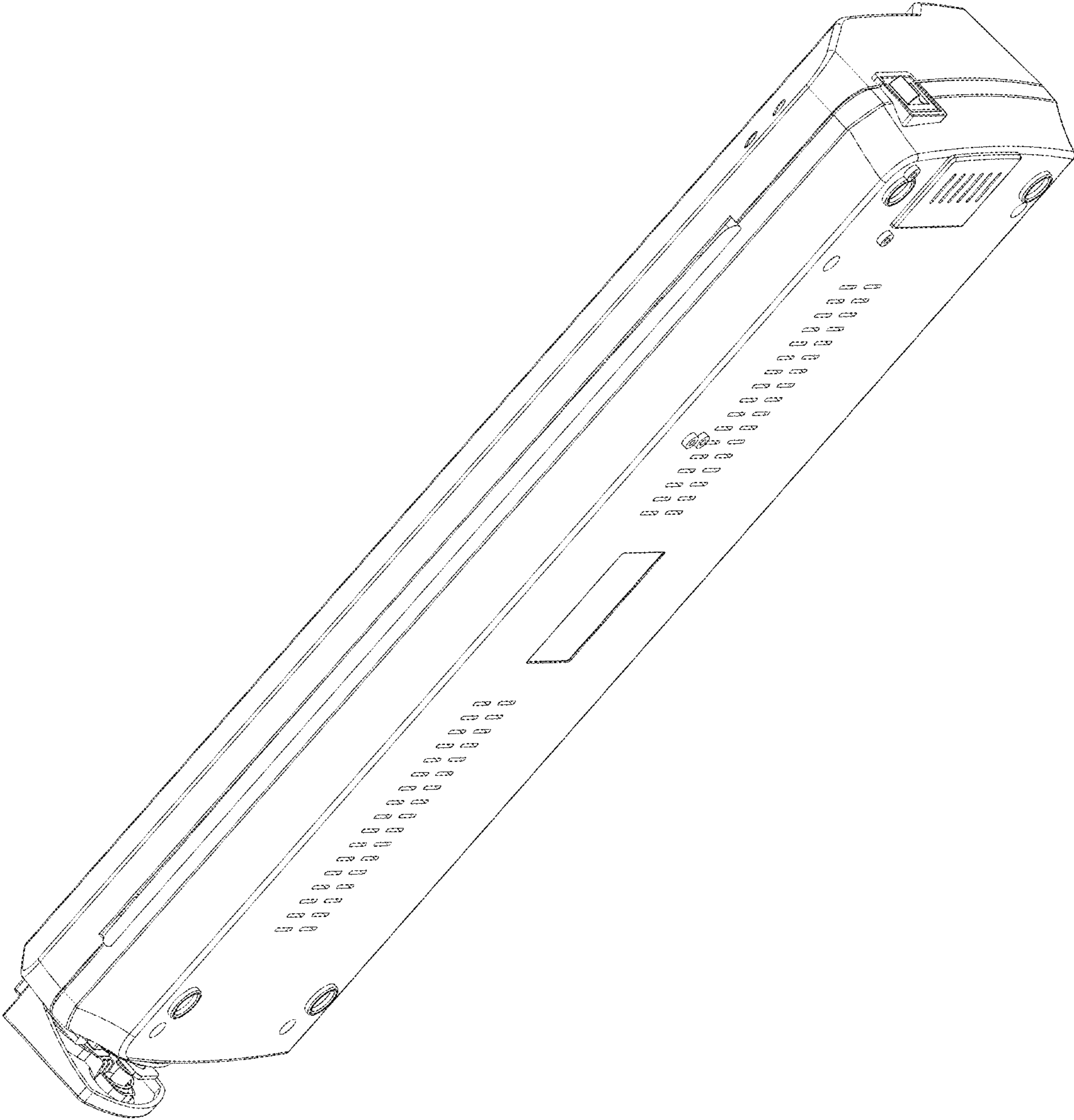


Fig. 12