



US00D905141S

(12) **United States Design Patent**  
**Min et al.**

(10) **Patent No.:** **US D905,141 S**

(45) **Date of Patent:** **\*\* Dec. 15, 2020**

(54) **GROOVING INSERT FOR MACHINE TOOLS**

(71) Applicant: **KORLOY INC.**, Seoul (KR)

(72) Inventors: **Byung Hoon Min**, Cheongju-si (KR);  
**Young Heum Kim**, Cheongju-si (KR);  
**Sung Guen Shin**, Cheongju-si (KR)

(\*\*) Term: **15 Years**

(21) Appl. No.: **35/507,444**

(22) Filed: **Jun. 24, 2019**

(80) **Hague Agreement Data**

Int. Filing Date: **Jun. 24, 2019**  
Int. Reg. No.: **DM/202649**  
Int. Reg. Date: **Jun. 24, 2019**  
Int. Reg. Pub. Date: **Sep. 13, 2019**

(30) **Foreign Application Priority Data**

Feb. 26, 2019 (KR) ..... 30-2019-0008601

(51) **LOC (12) Cl.** ..... **15-09**

(52) **U.S. Cl.**  
USPC ..... **D15/139**

(58) **Field of Classification Search**

USPC ..... D15/139  
CPC . B23B 27/045; B23B 27/16; B23B 2220/126;  
B23B 29/043; B23B 2200/162; B23B  
2200/201; Y10T 407/235; Y10T 407/245;  
Y10T 407/23; Y10T 407/24  
See application file for complete search history.

(56) **References Cited**

**U.S. PATENT DOCUMENTS**

5,076,739 A \* 12/1991 Pano ..... B23B 27/045  
407/114  
D329,439 S \* 9/1992 Gustafsson ..... D15/139

D330,033 S \* 10/1992 Gustafsson ..... D15/139  
5,827,017 A \* 10/1998 Tagstrom ..... B23B 27/045  
407/116  
5,975,812 A \* 11/1999 Friedman ..... B23B 27/045  
407/113  
D470,516 S \* 2/2003 Andersson ..... D15/139  
D502,473 S \* 3/2005 Tong ..... D15/139  
D537,854 S \* 3/2007 Tong ..... D15/139  
D607,025 S \* 12/2009 Niemi ..... D15/139  
8,647,028 B2 \* 2/2014 Athad ..... B23B 27/045  
407/109  
D805,565 S \* 12/2017 Min ..... D15/139  
10,010,939 B2 \* 7/2018 Inoue ..... B23B 27/04  
2013/0183109 A1 \* 7/2013 Fujii ..... B23B 27/045  
407/100

\* cited by examiner

*Primary Examiner* — Nathaniel D. Buckner  
(74) *Attorney, Agent, or Firm* — Rabin & Berdo, P.C.

(57) **CLAIM**

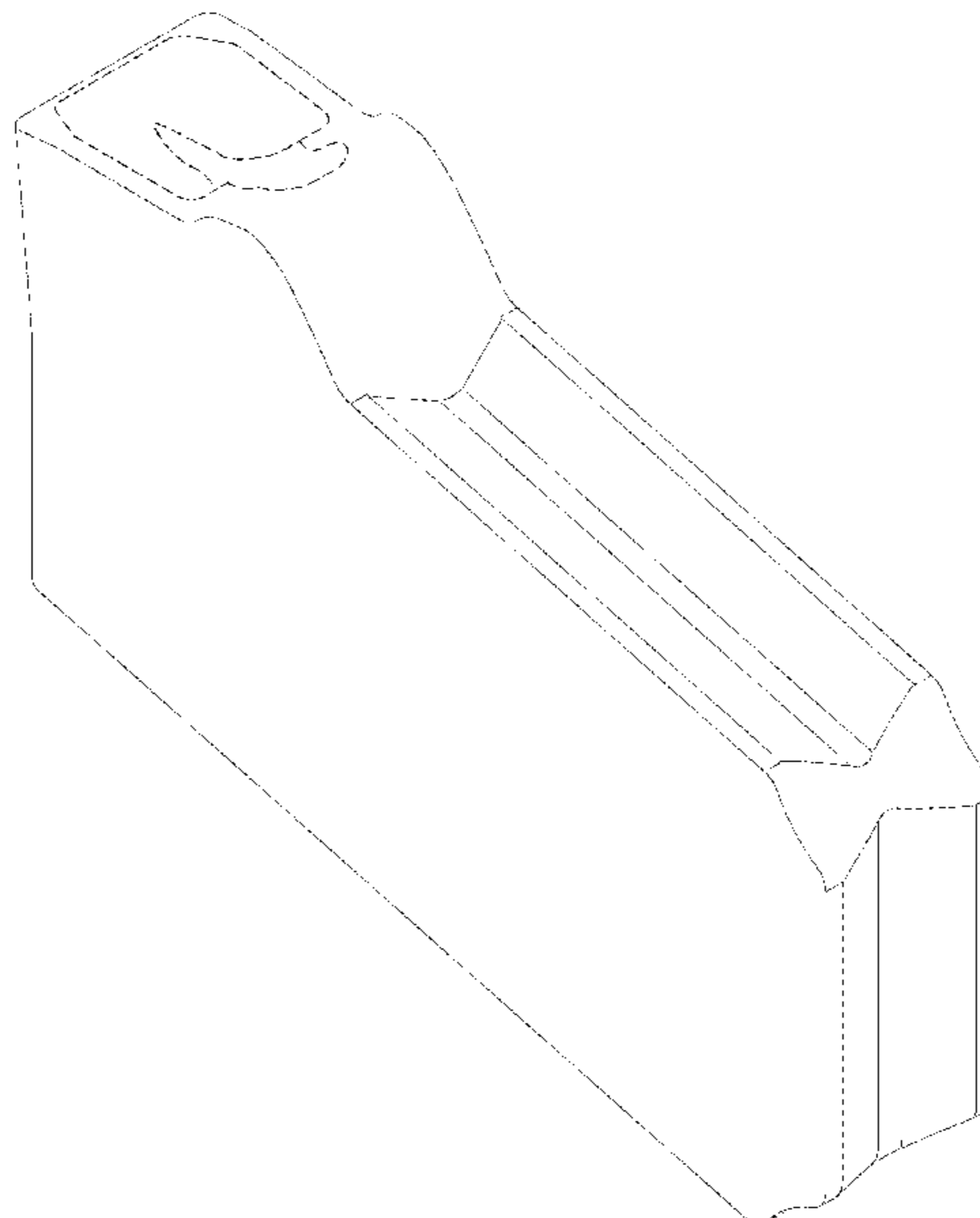
The ornamental design for grooving insert for machine tools, as shown and described.

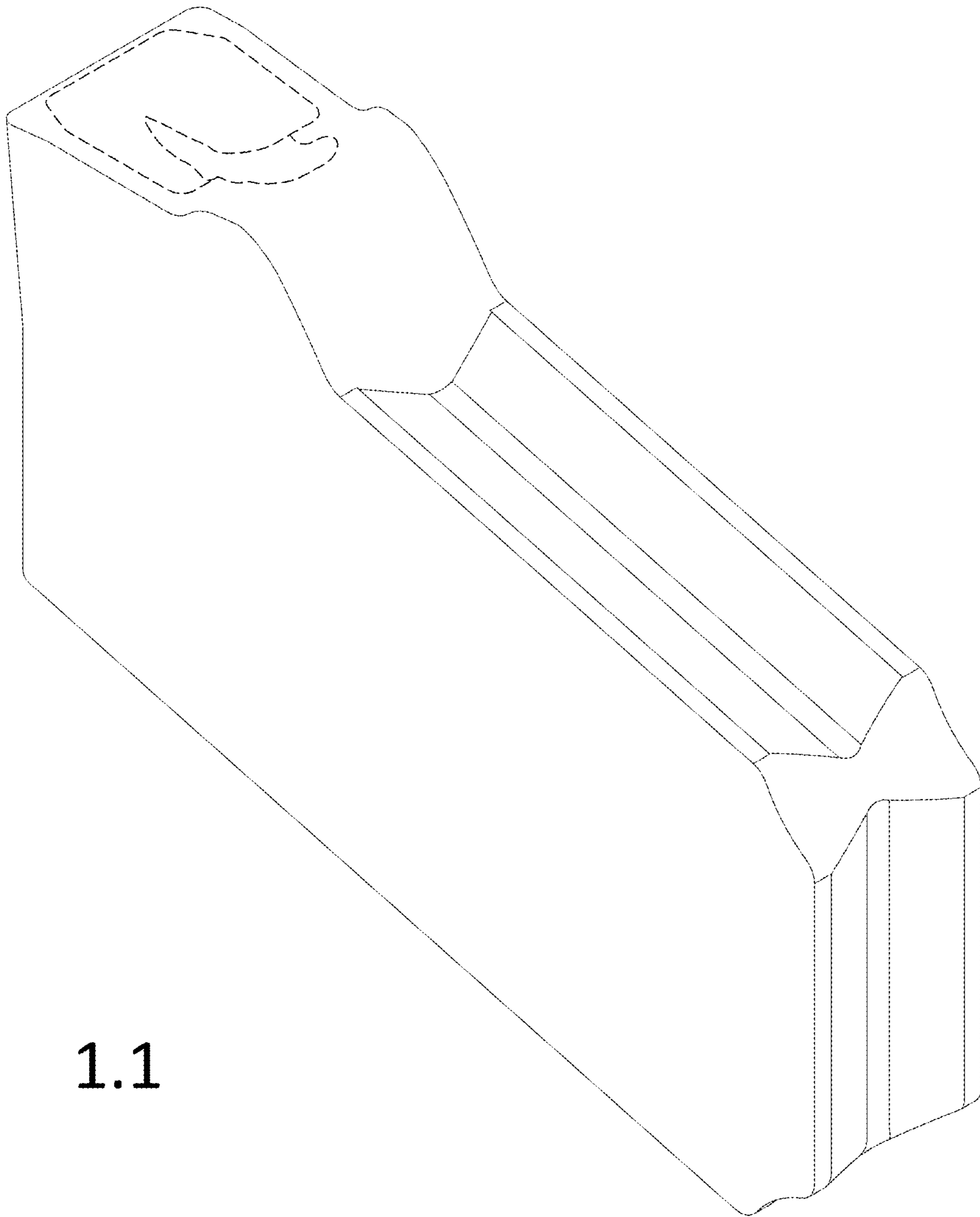
**DESCRIPTION**

**1.1** is a perspective view of grooving insert for machine tools showing my new design;  
**1.2** is a front view thereof;  
**1.3** is a back view thereof;  
**1.4** is a top view thereof;  
**1.5** is a bottom view thereof;  
**1.6** is a left view thereof; and  
**1.7** is a right view thereof.

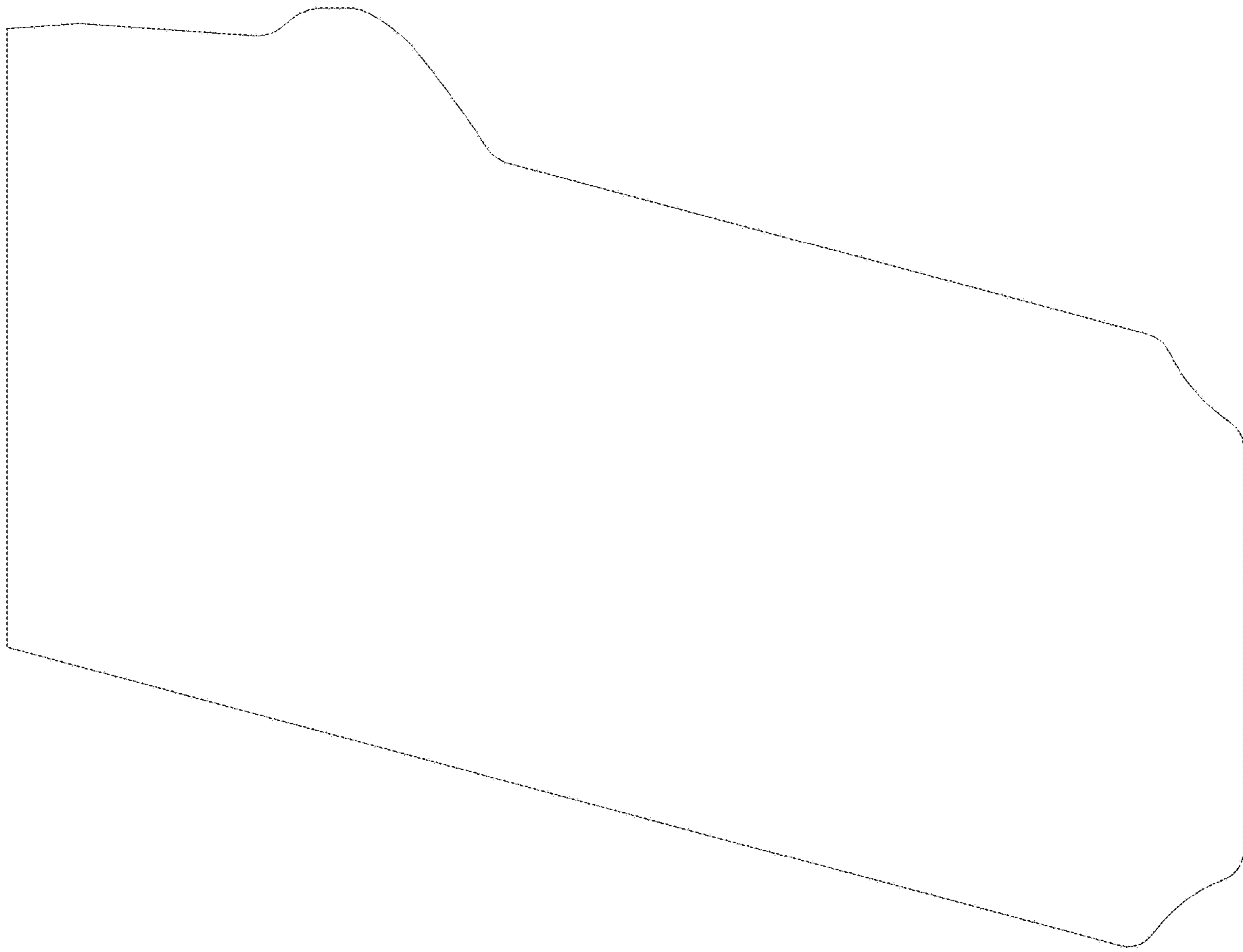
The broken lines in the figures depict portions of the grooving insert which form no part of the claimed design.

**1 Claim, 7 Drawing Sheets**

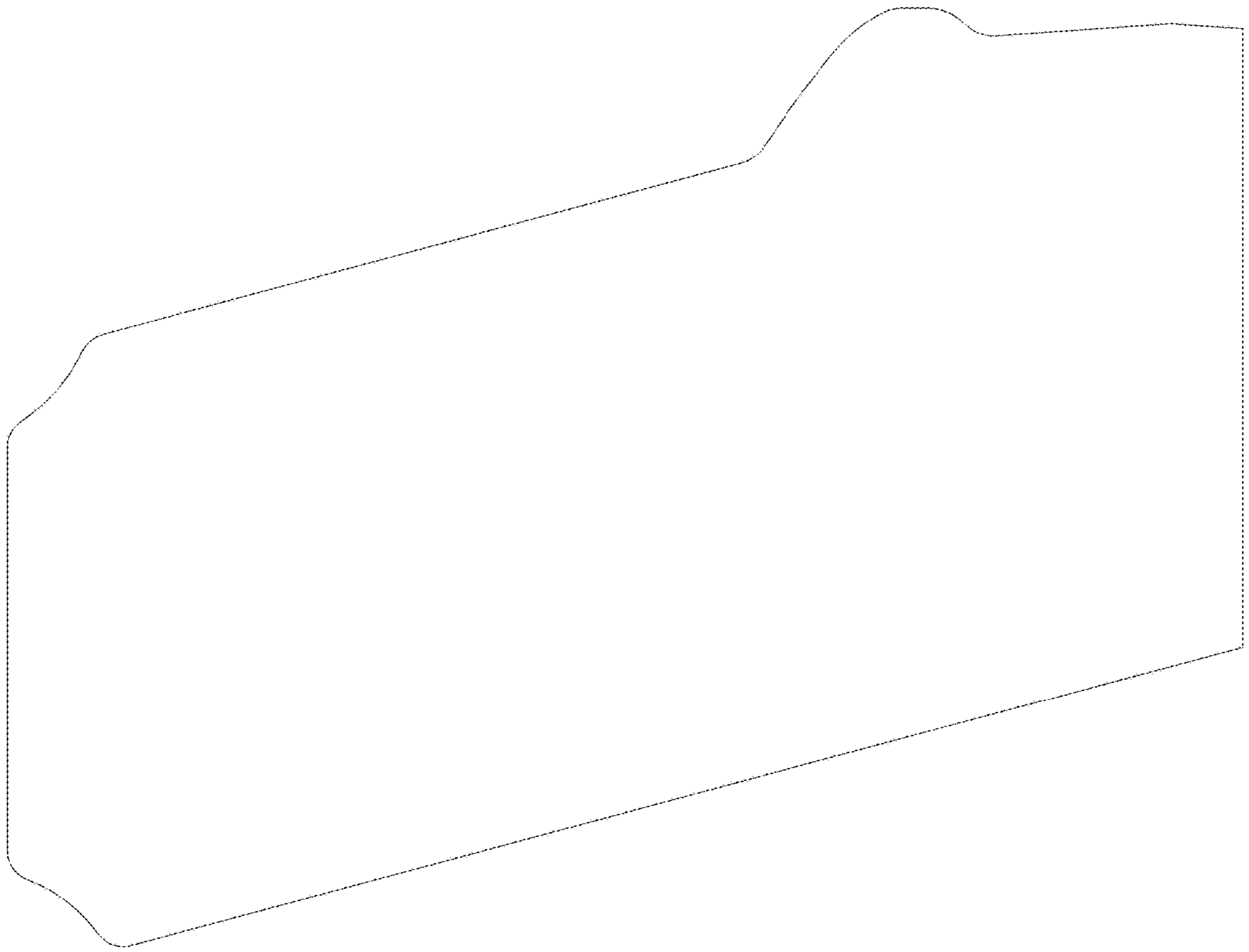




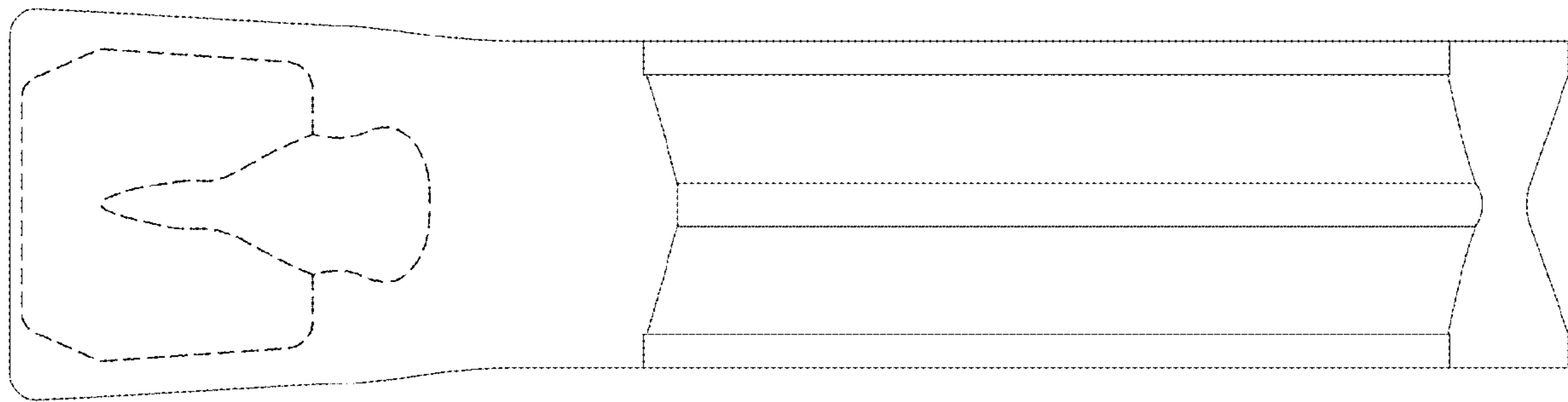
1.1



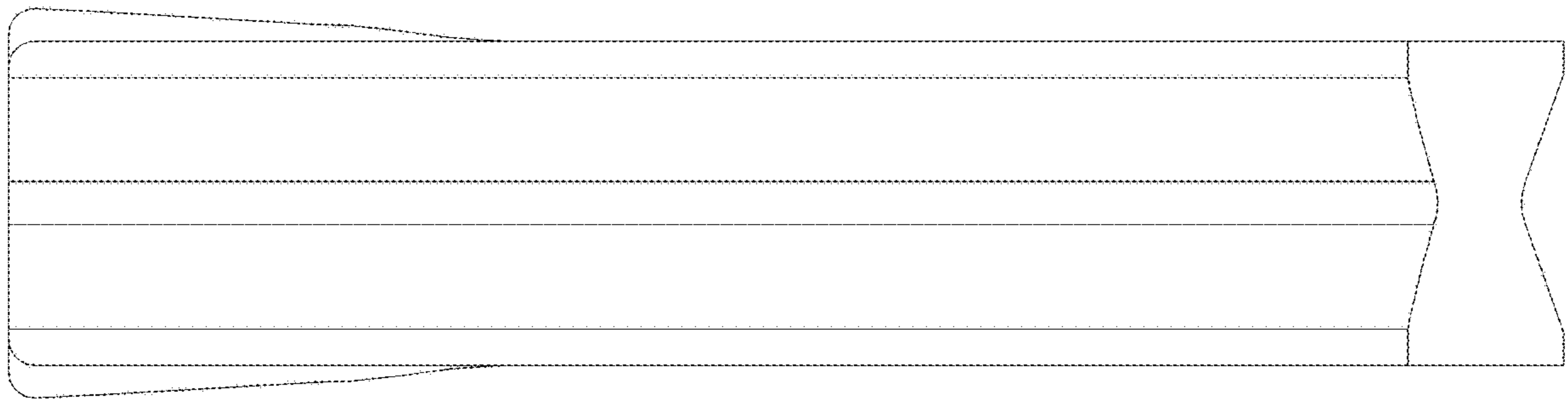
1.2



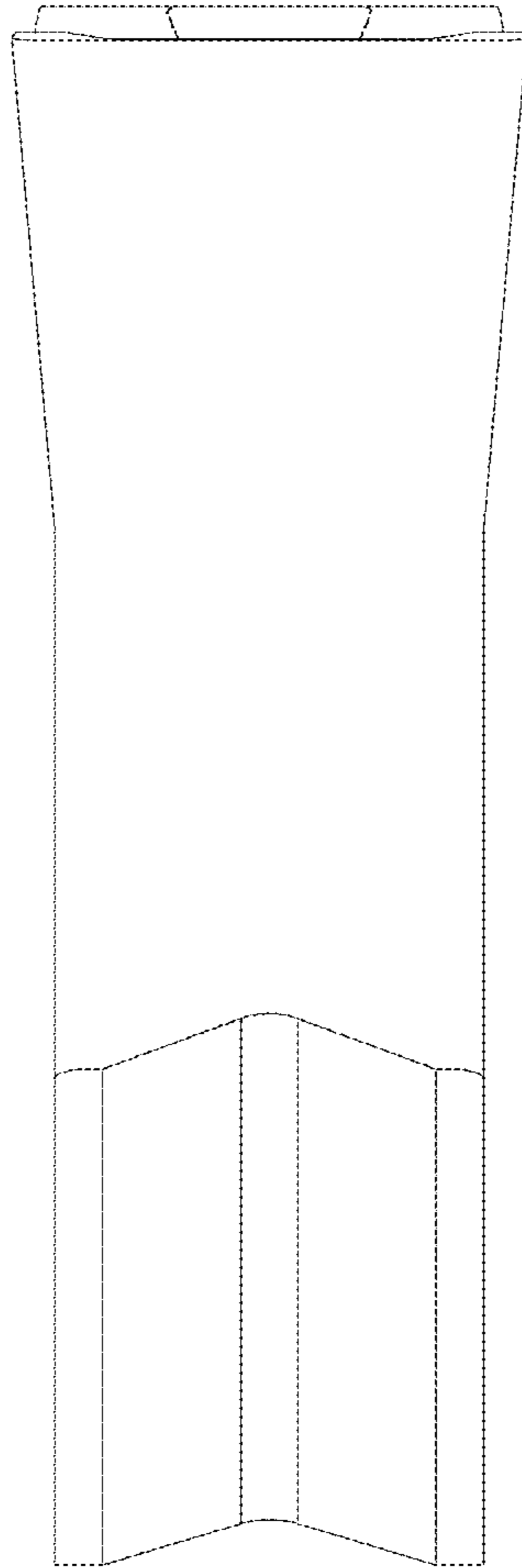
1.3



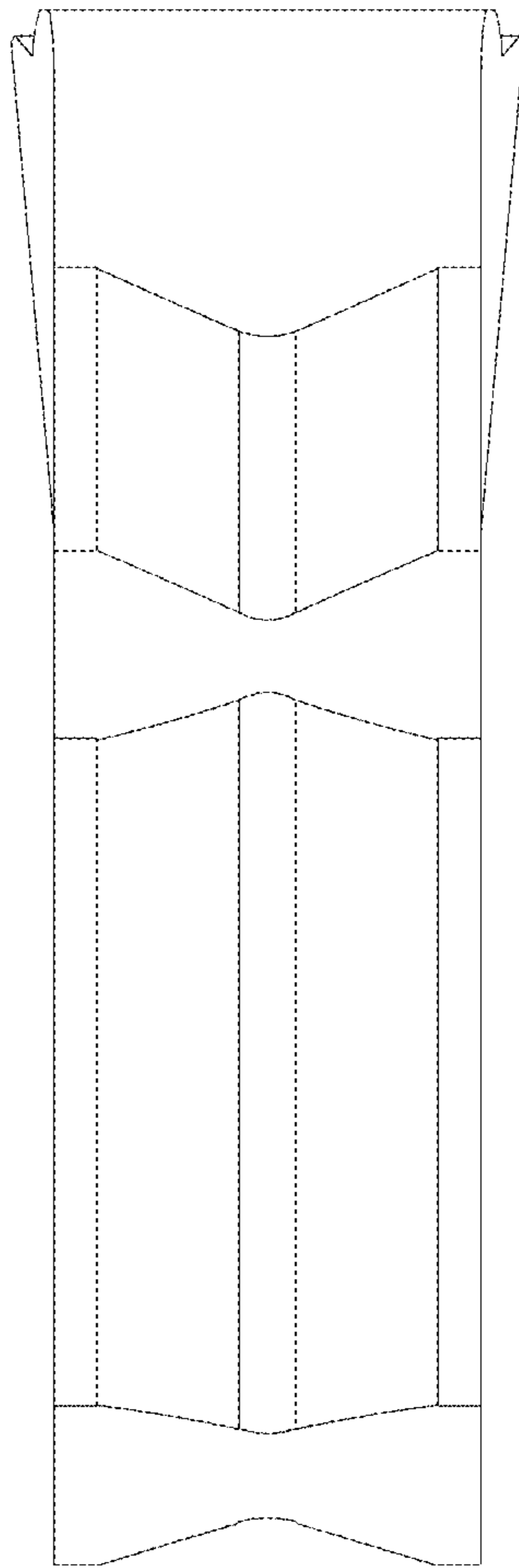
1.4



1.5



1.6



1.7