



US00D905137S

(12) **United States Design Patent**  
**Albri et al.**

(10) **Patent No.:** **US D905,137 S**

(45) **Date of Patent:** **\*\* Dec. 15, 2020**

(54) **FOIL CUTTER**

(71) Applicant: **STEINEL GmbH**, Herzebrock-Clarholz (DE)

(72) Inventors: **Frank Albri**, Herzebrock-Clarholz (DE); **Ralf Hofene**, Beelen (DE)

(73) Assignee: **STEINEL GmbH**, Herzebrock-Clarholz (DE)

(\*\*) Term: **15 Years**

(21) Appl. No.: **29/660,788**

(22) Filed: **Aug. 22, 2018**

(30) **Foreign Application Priority Data**

Feb. 22, 2018 (EM) ..... 004721082-0001

(51) **LOC (12) Cl.** ..... **15-03**

(52) **U.S. Cl.**  
USPC ..... **D15/127**

(58) **Field of Classification Search**  
USPC ..... D15/124-134, 138, 139, 140, 141, 142, D15/143, 135, 137, 9, 17; D8/6, 66, 70  
CPC ..... B26D 5/007; B26D 1/0006; B26D 1/015; B26D 2210/02; B26D 5/32; B26D 5/34; B26D 7/015; B26D 7/016; B26D 7/0625; B26D 7/1854; B26D 7/32  
See application file for complete search history.

(56) **References Cited**

**U.S. PATENT DOCUMENTS**

D419,165 S \* 1/2000 Muller ..... D15/127  
D585,915 S \* 2/2009 Feng ..... D15/127

D604,344 S \* 11/2009 Weingart ..... D15/124  
D652,065 S \* 1/2012 Lu ..... D15/127  
D755,598 S \* 5/2016 Gargallo ..... D15/127  
D756,186 S \* 5/2016 Sarmiento ..... D15/127  
D756,736 S \* 5/2016 Gargallo ..... D15/127

\* cited by examiner

*Primary Examiner* — Khawaja Anwar

(74) *Attorney, Agent, or Firm* — Snell & Wilmer L.L.P.

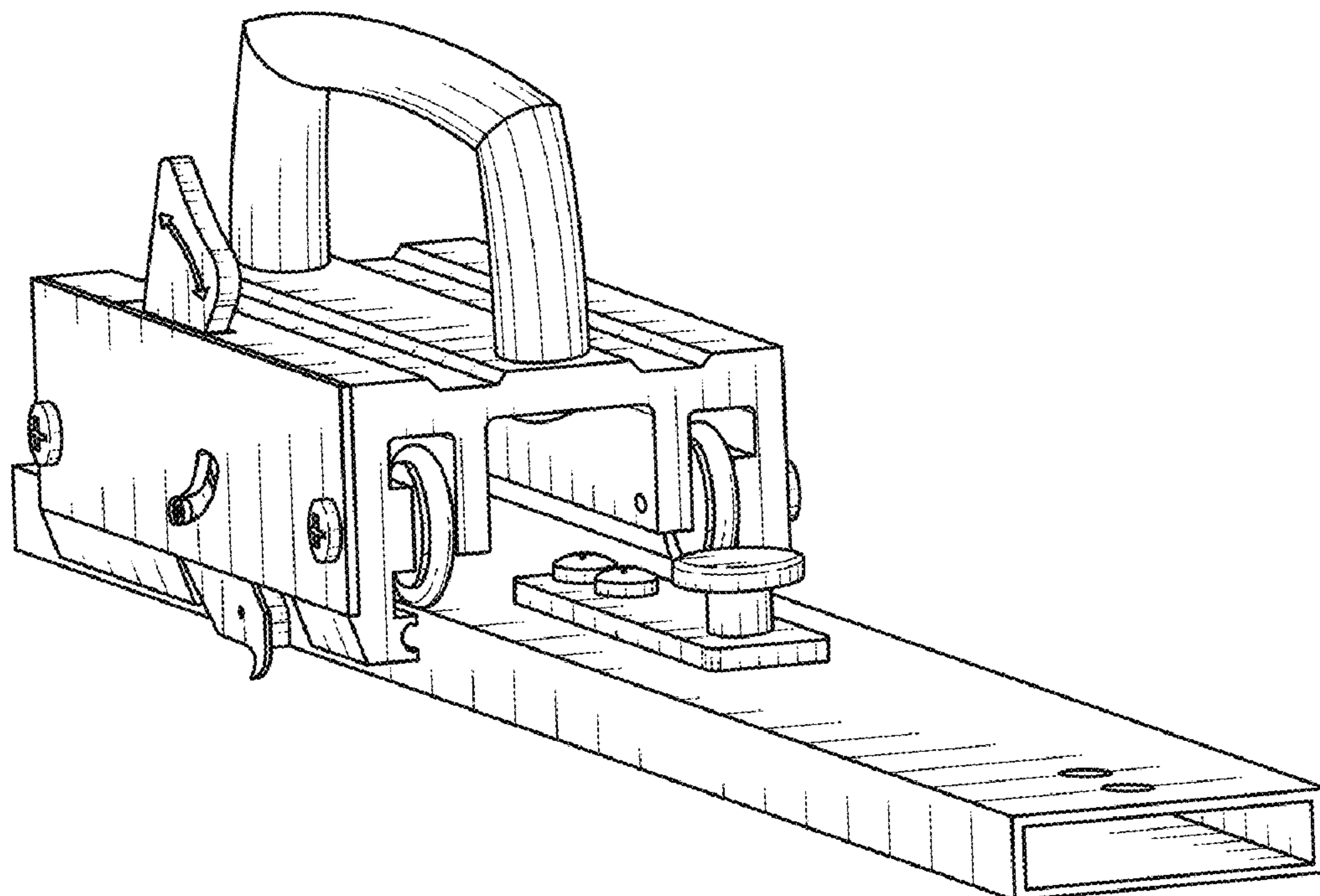
(57) **CLAIM**

An ornamental design for a foil cutter, as shown and described.

**DESCRIPTION**

FIG. 1 is a first side perspective view illustrating the foil cutter showing my new design;  
FIG. 2 is a second side perspective view illustrating the foil cutter showing my new design;  
FIG. 3 is a front view of the foil cutter shown in FIGS. 1 and 2;  
FIG. 4 is a rear view of the foil cutter shown in FIGS. 1 and 2;  
FIG. 5 is a top plan view of the foil cutter shown in FIGS. 1 and 2;  
FIG. 6 is a bottom plan view of the foil cutter shown in FIGS. 1 and 2;  
FIG. 7 is a first side view of the foil cutter shown in FIGS. 1 and 2; and,  
FIG. 8 is a second side view of the foil cutter shown in FIGS. 1 and 2.

**1 Claim, 5 Drawing Sheets**



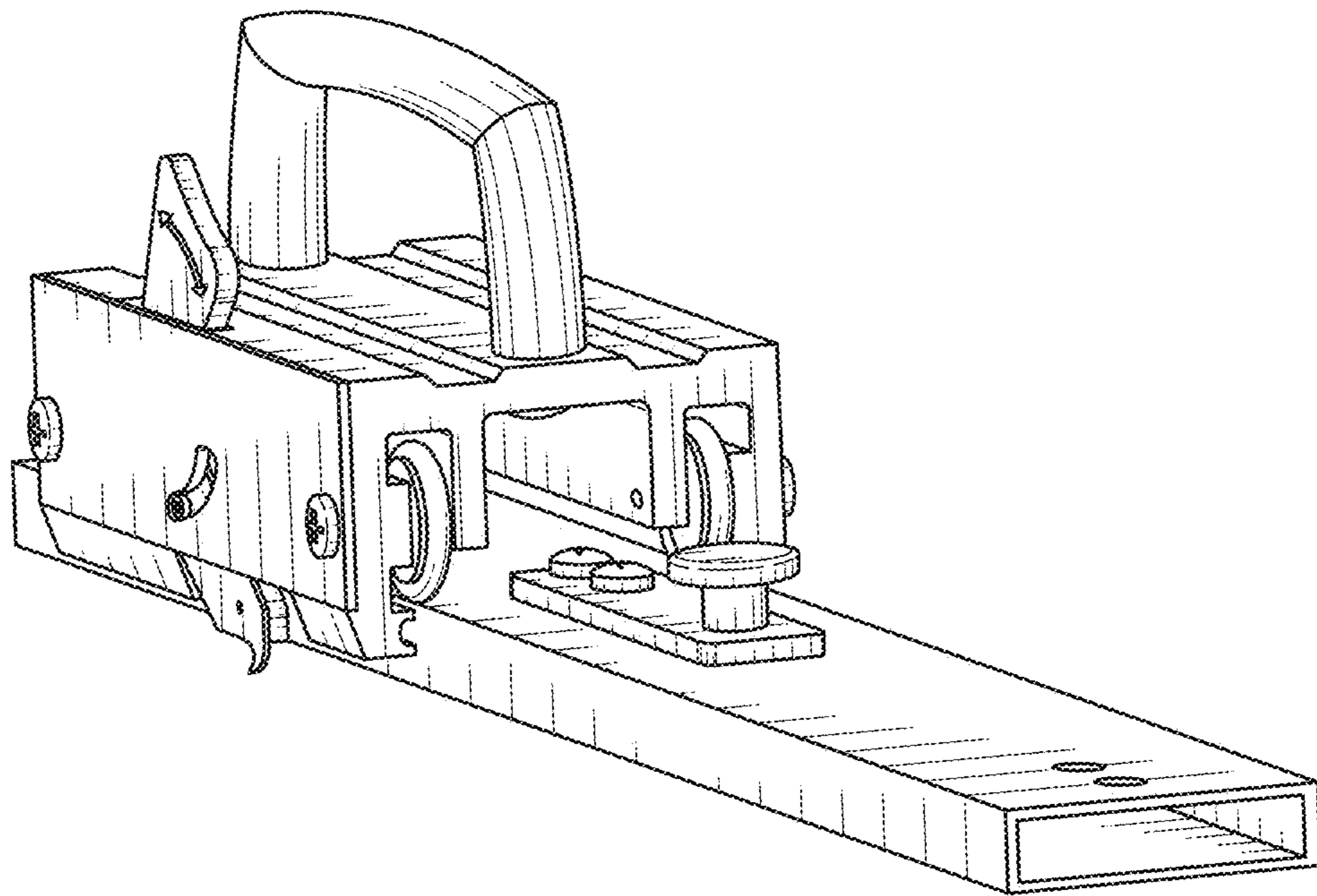


FIG. 1

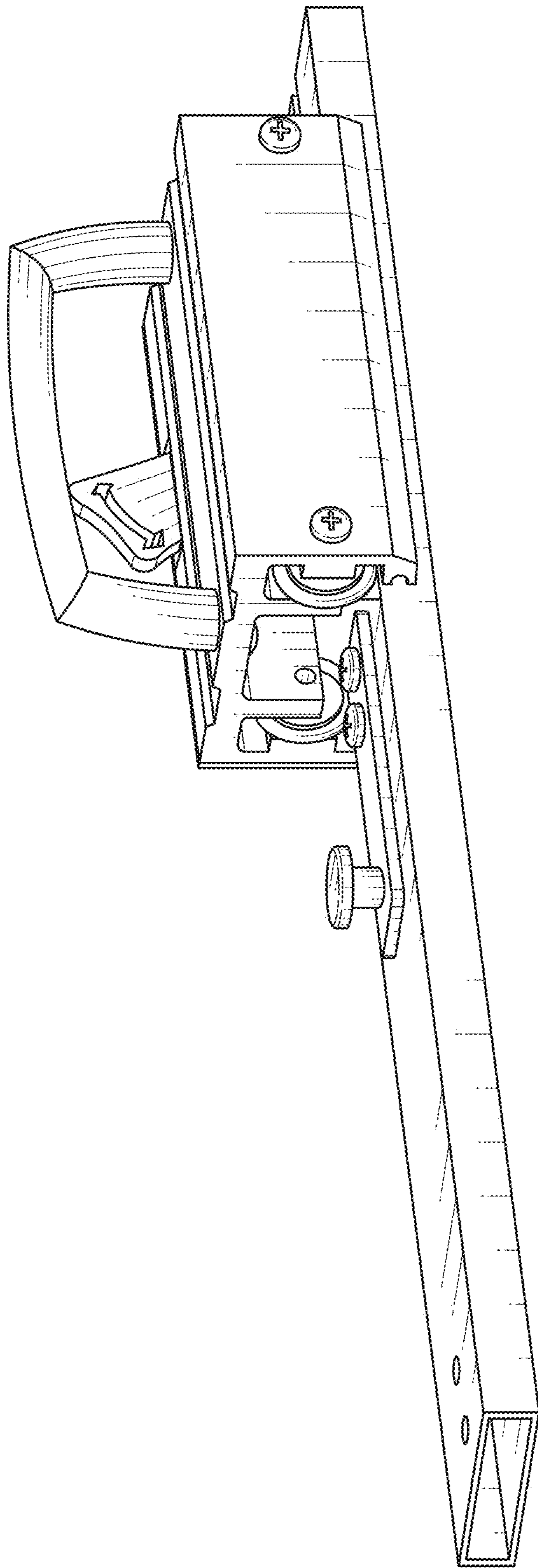


FIG. 2

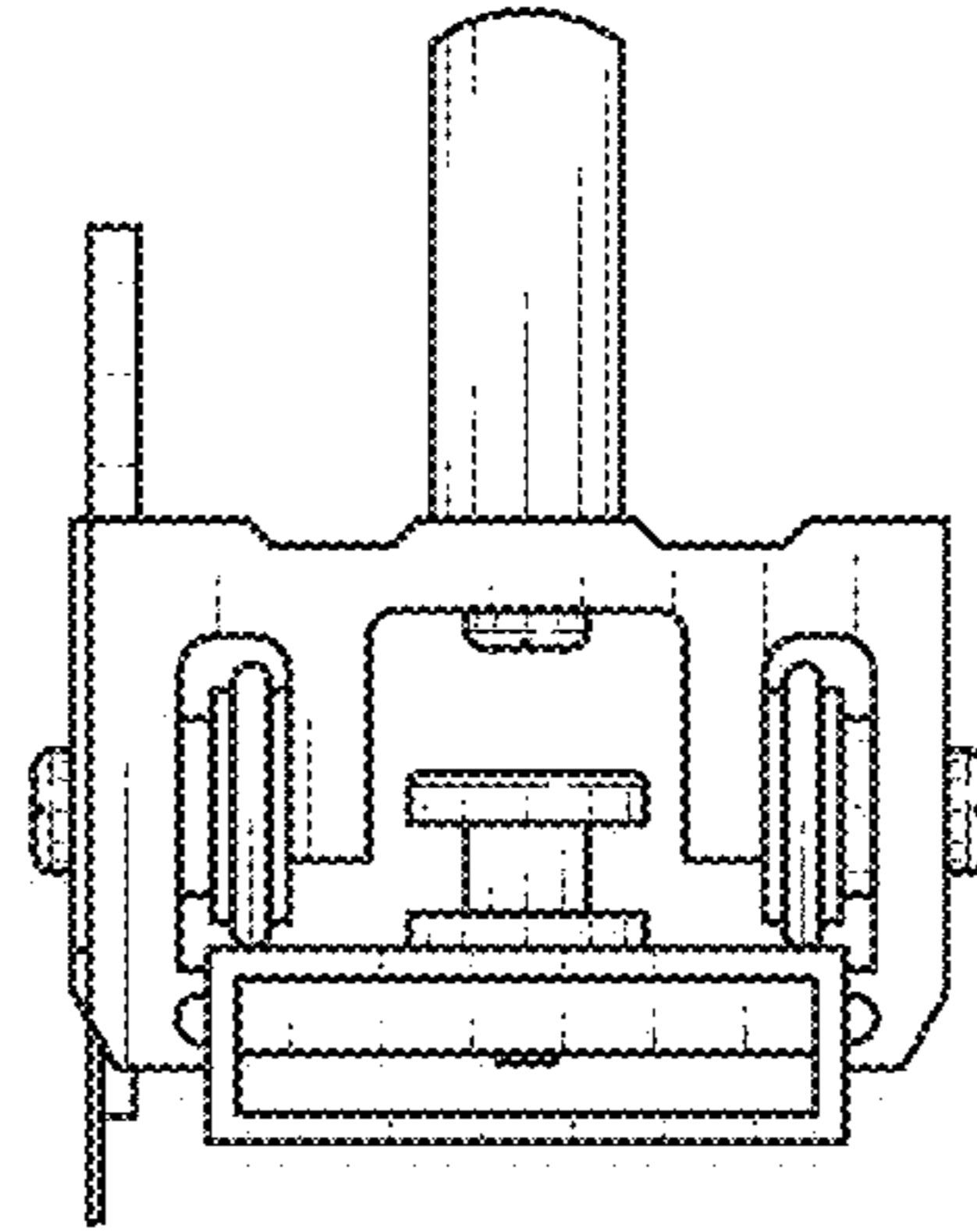


FIG. 3

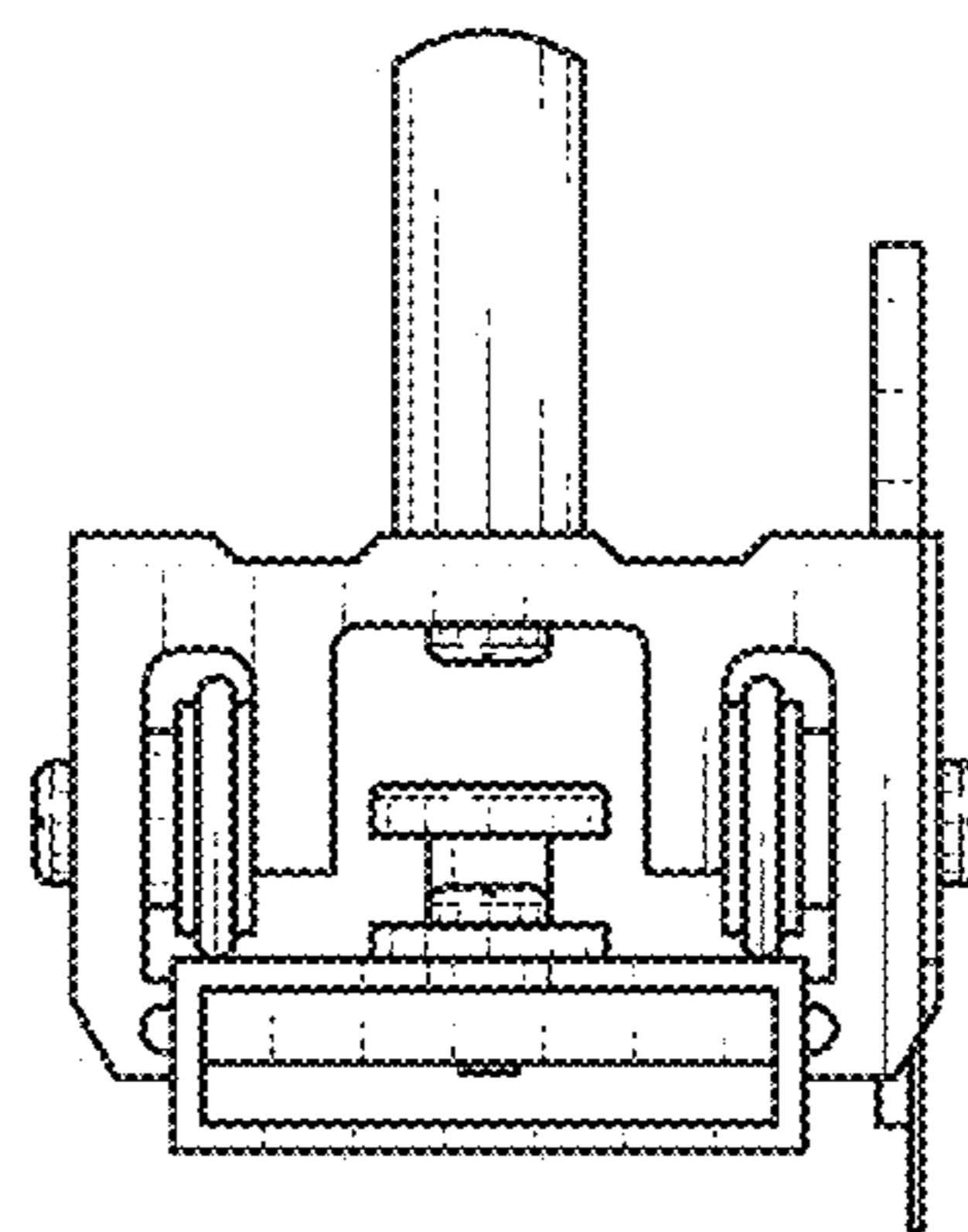


FIG. 4

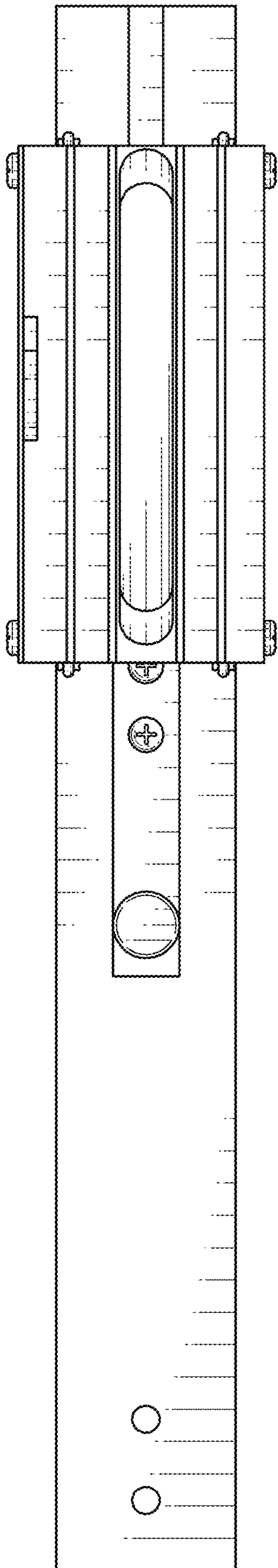


FIG. 5

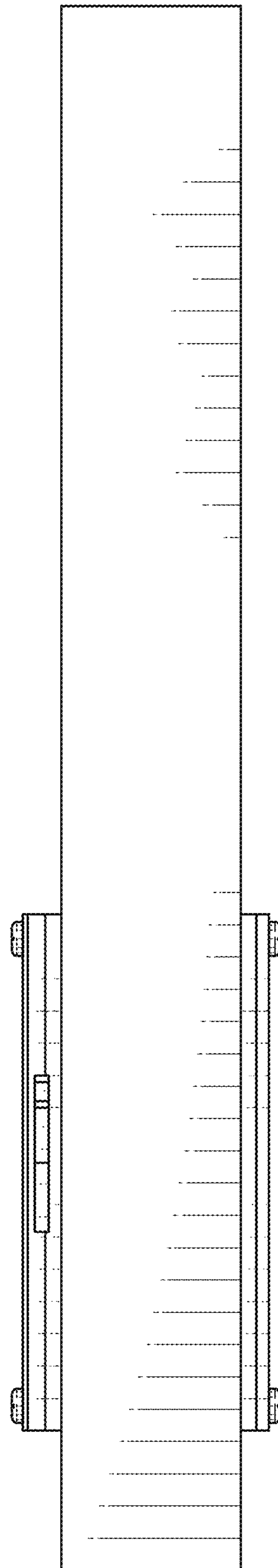


FIG. 6

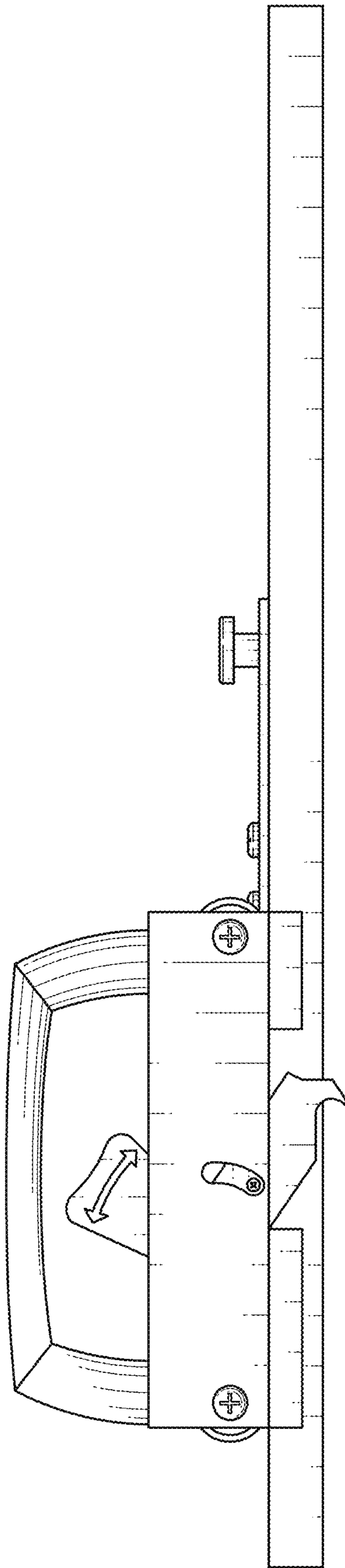


FIG. 7

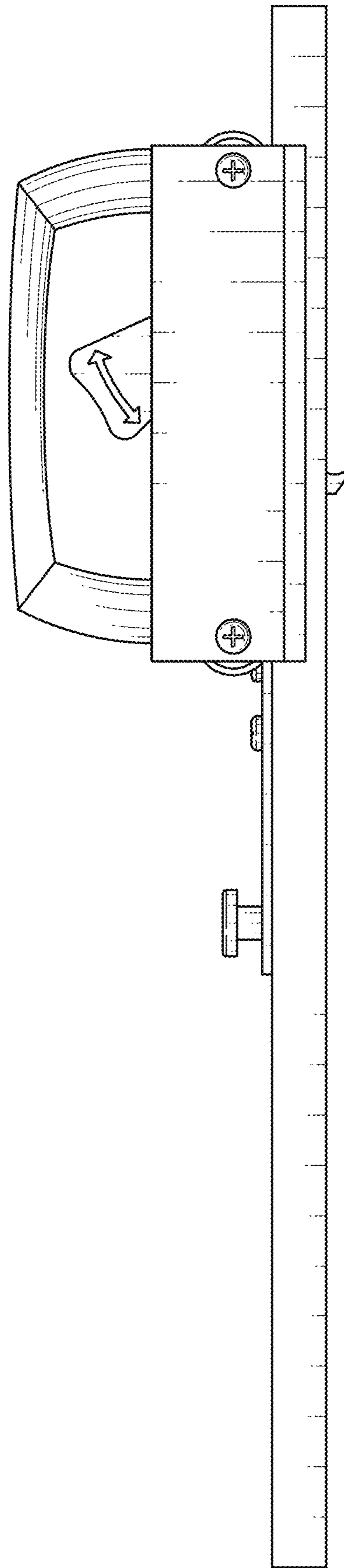


FIG. 8