



US00D905135S

(12) **United States Design Patent** (10) **Patent No.:** **US D905,135 S**
Jeffery et al. (45) **Date of Patent:** **** Dec. 15, 2020**

(54) **THREE-DIMENSIONAL PRINTER**

2/17556; B41J 2/17596; B41J 2/16552;
B41J

(71) Applicant: **Formlabs, Inc.**, Somerville, MA (US)

(Continued)

(72) Inventors: **Nate Jeffery**, Boston, MA (US); **Yoav Reches**, Cambridge, MA (US); **John Ouchterlony**, Cambridge, MA (US); **Ryan Smith**, Somerville, MA (US)

(56) **References Cited**

U.S. PATENT DOCUMENTS

D297,141 S * 8/1988 Goodlander D18/59
D529,950 S * 10/2006 Katayama D18/50
(Continued)

(73) Assignee: **Formlabs, Inc.**, Somerville, MA (US)

FOREIGN PATENT DOCUMENTS

(**) Term: **15 Years**

CN 304981077 * 1/2019
CN 305022994 * 2/2019

(21) Appl. No.: **29/683,855**

(Continued)

(22) Filed: **Mar. 15, 2019**

OTHER PUBLICATIONS

(51) **LOC (12) Cl.** **15-09**

(52) **U.S. Cl.**
USPC **D15/122**

YouTube. Link: https://www.youtube.com/watch?v=AzWTgUI_fAA. Nov. 12, 2019. Formlabs Introducing The Form 3B: Optimized for Dental. (Year: 2019).*

(Continued)

(58) **Field of Classification Search**

USPC D15/122, 135, 138, 141; D18/14, 19, 50,
D18/54, 54.1, 55, 59

Primary Examiner — Lauren D McVey
(74) *Attorney, Agent, or Firm* — Wolf, Greenfield & Sacks, P.C.

CPC B22F 3/105; B22F 3/008; B29C 35/00;
B29C 35/02; B29C 35/04; B29C 35/06;
B29C 35/08; B29C 35/10; B29C 35/12;
B29C 35/14; B29C 35/16; B29C 35/18;
B29C 37/00; B29C 37/02; B29C 37/04;
B29C 67/00; B29C 67/02; B29C 67/04;
B29C 67/06; B29C 67/08; B29C 67/20;
B29C 67/24; B29C 69/00; B29C 69/02;
B29C 70/00; B29C 70/02; B29C 70/04;
B29C 70/06; B29C 70/08; B29C 70/10;
B29C 70/12; B29C 70/14; B29C 70/16;
B29C 70/18; B29C 70/20; B29C 70/22;
B29C 70/24; B29C 70/26; B29C 70/28;
B29C 41/12; B29C 41/36; B29C 67/0081;
B41J 2/155; B41J 2/17513; B41J

(57) **CLAIM**

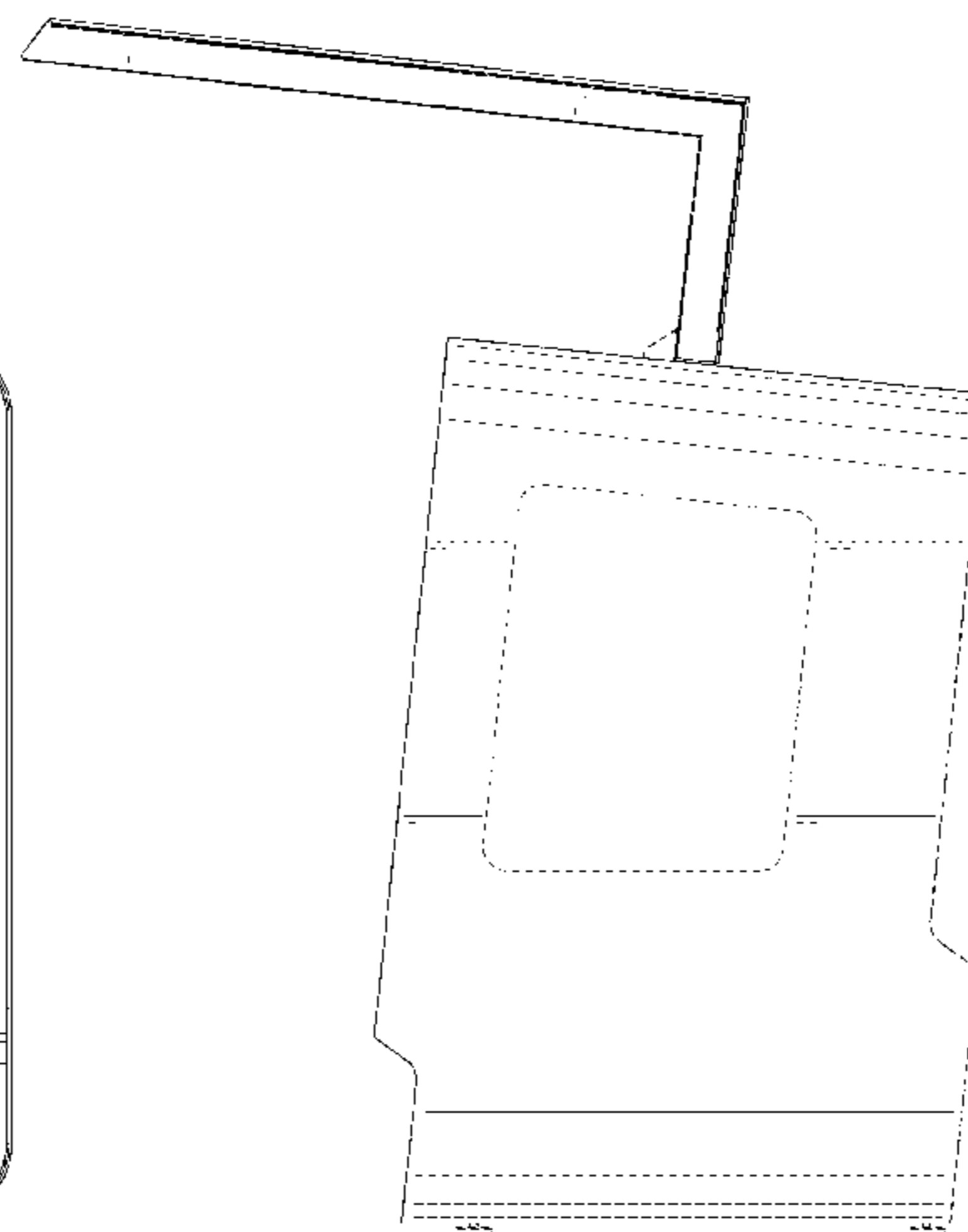
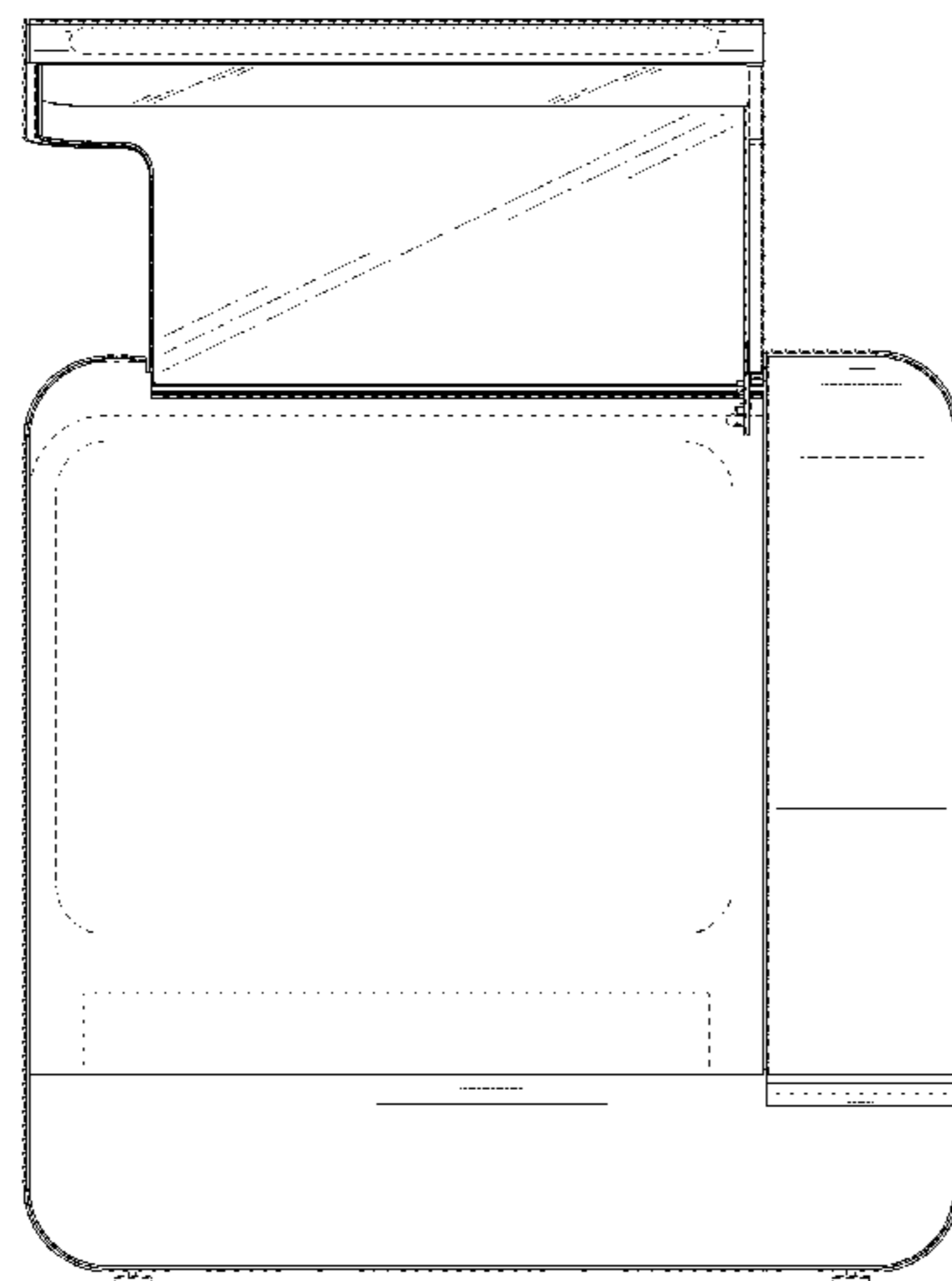
The ornamental design for a three-dimensional printer, as shown and described.

DESCRIPTION

FIG. 1 is a front, right side perspective view of a three-dimensional printer according to our new design; FIG. 2 is a front elevation view thereof; FIG. 3 is a rear elevation view thereof; FIG. 4 is a left side elevation view thereof; FIG. 5 is a right side elevation view thereof; FIG. 6 is a top plan view thereof; and, FIG. 7 is a bottom plan view thereof.

The dot-dash broken lines and dash-dash broken lines immediately adjacent to the shaded areas depict the bounds of the

(Continued)



claimed design and form no part of the claimed design. All other dash-dash broken lines depict portions of the three-dimensional printer that form no part of the claimed design.

1 Claim, 7 Drawing Sheets

D777,228	S	*	1/2017	Chang	D15/122
D777,808	S	*	1/2017	Chang	D15/122
D783,693	S	*	4/2017	Reches	D15/122
D835,162	S	*	12/2018	Reches	D15/122
D858,590	S	*	9/2019	Kazaoka	D15/122
10,414,073	B2	*	9/2019	Livingston	B29C 64/20

FOREIGN PATENT DOCUMENTS

(58) **Field of Classification Search**
CPC 2/16541; B41J 2002/20; B41J 2002/14475;
B29K 2995/0021
See application file for complete search history.

CN	305544774	*	1/2020		
WO	WO-2017025015	A1	*	2/2017 B29C 67/02
WO	WO-2017050118	A1	*	3/2017 B29C 67/00
WO	WO-2017162118	A1	*	9/2017 B29C 67/00
WO	WO-2017165832	A1	*	9/2017 B29C 67/00

(56) **References Cited**

U.S. PATENT DOCUMENTS

D722,108	S	*	2/2015	Reches	D18/50
D734,788	S	*	7/2015	Reches	D15/122
D744,553	S	*	12/2015	Shibata	D15/123
D751,142	S	*	3/2016	So	D18/50
D771,164	S	*	11/2016	Noorazar	D15/122

OTHER PUBLICATIONS

YouTube. Link: <https://www.youtube.com/watch?v=dLIRAkXa6t8>.
Apr. 2, 2019. Formlabs Inside the Form 3 and Form 3L: Deep Dive.
(Year: 2019).*

* cited by examiner

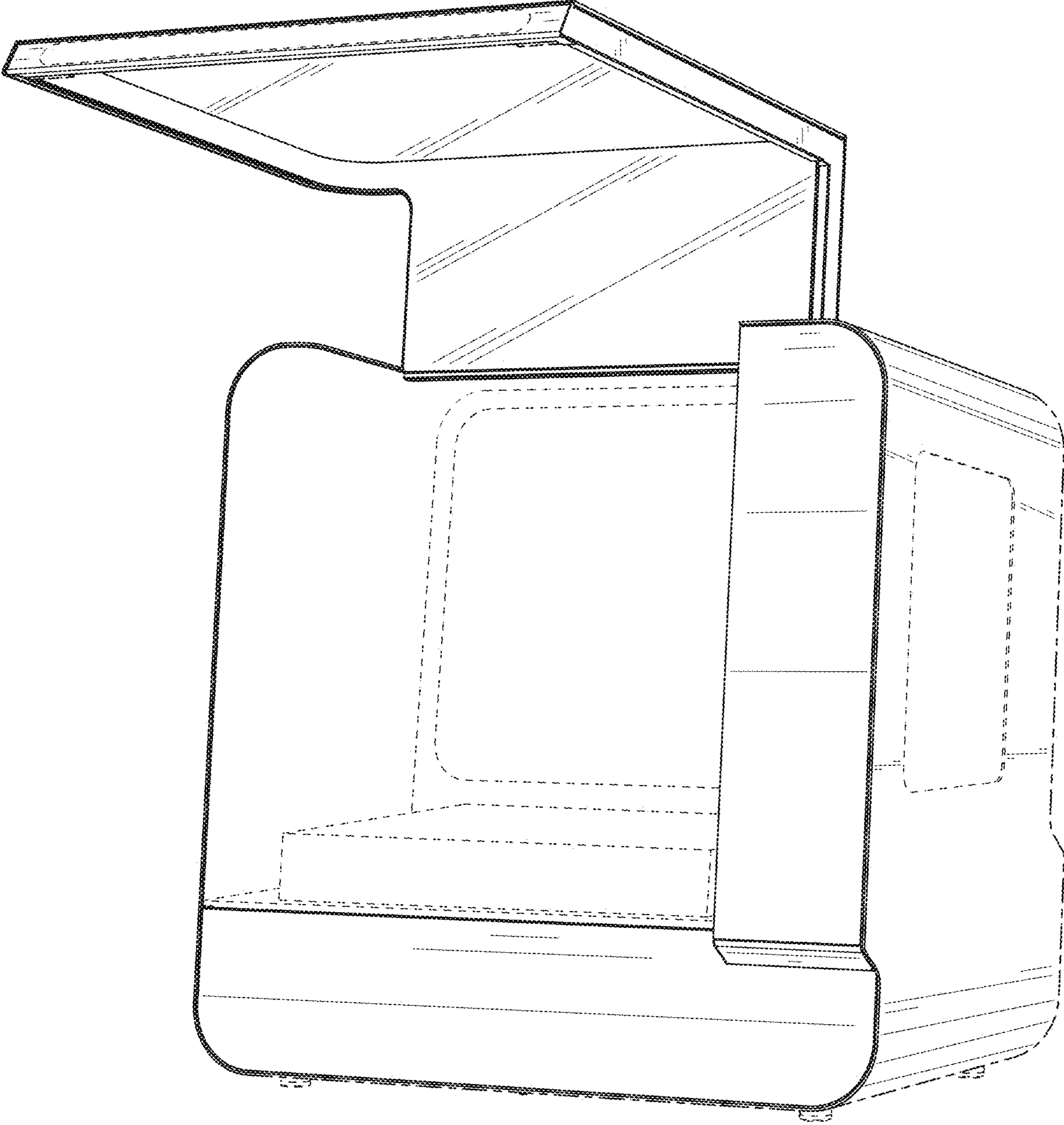


FIG. 1

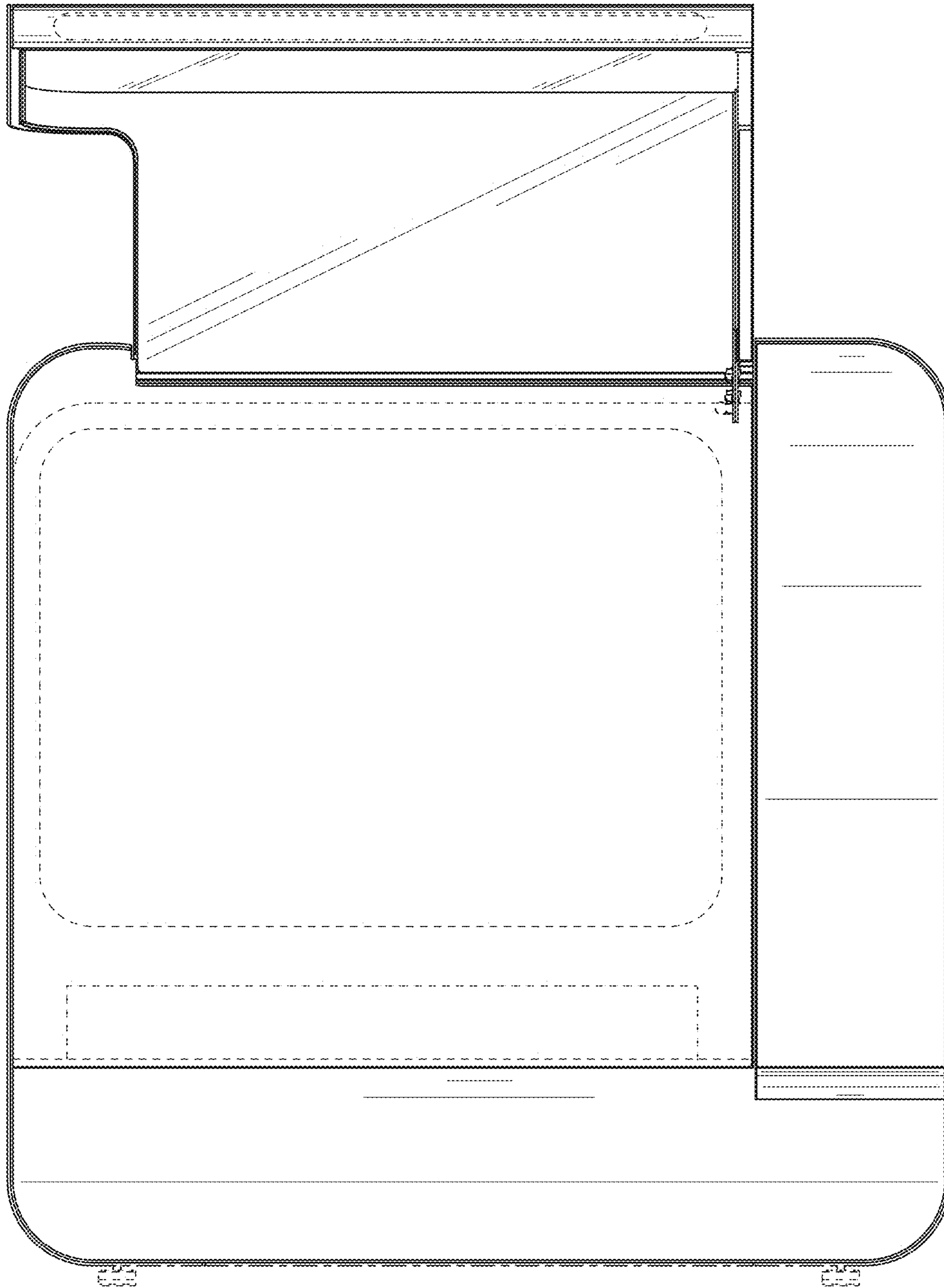


FIG. 2

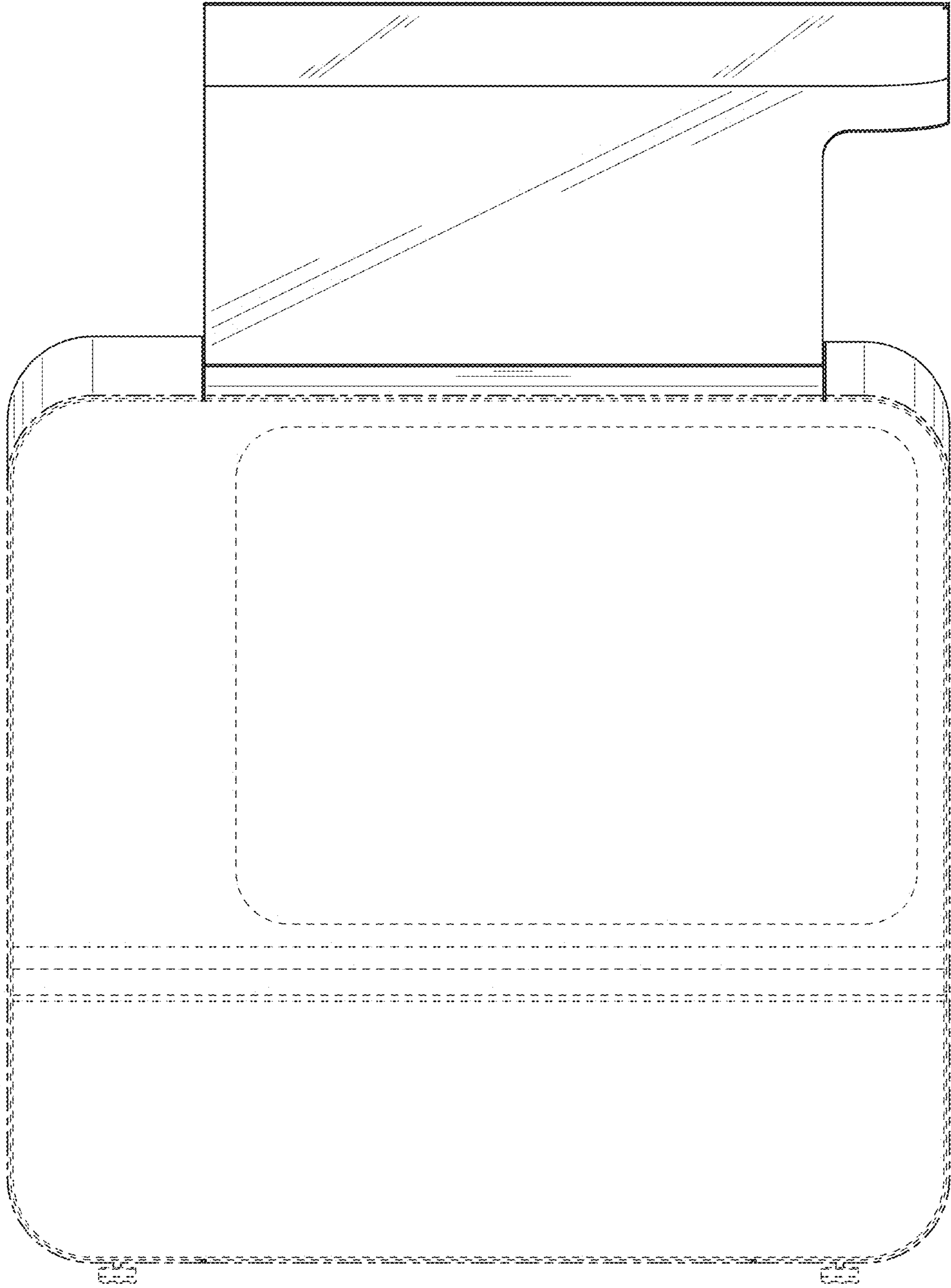


FIG. 3

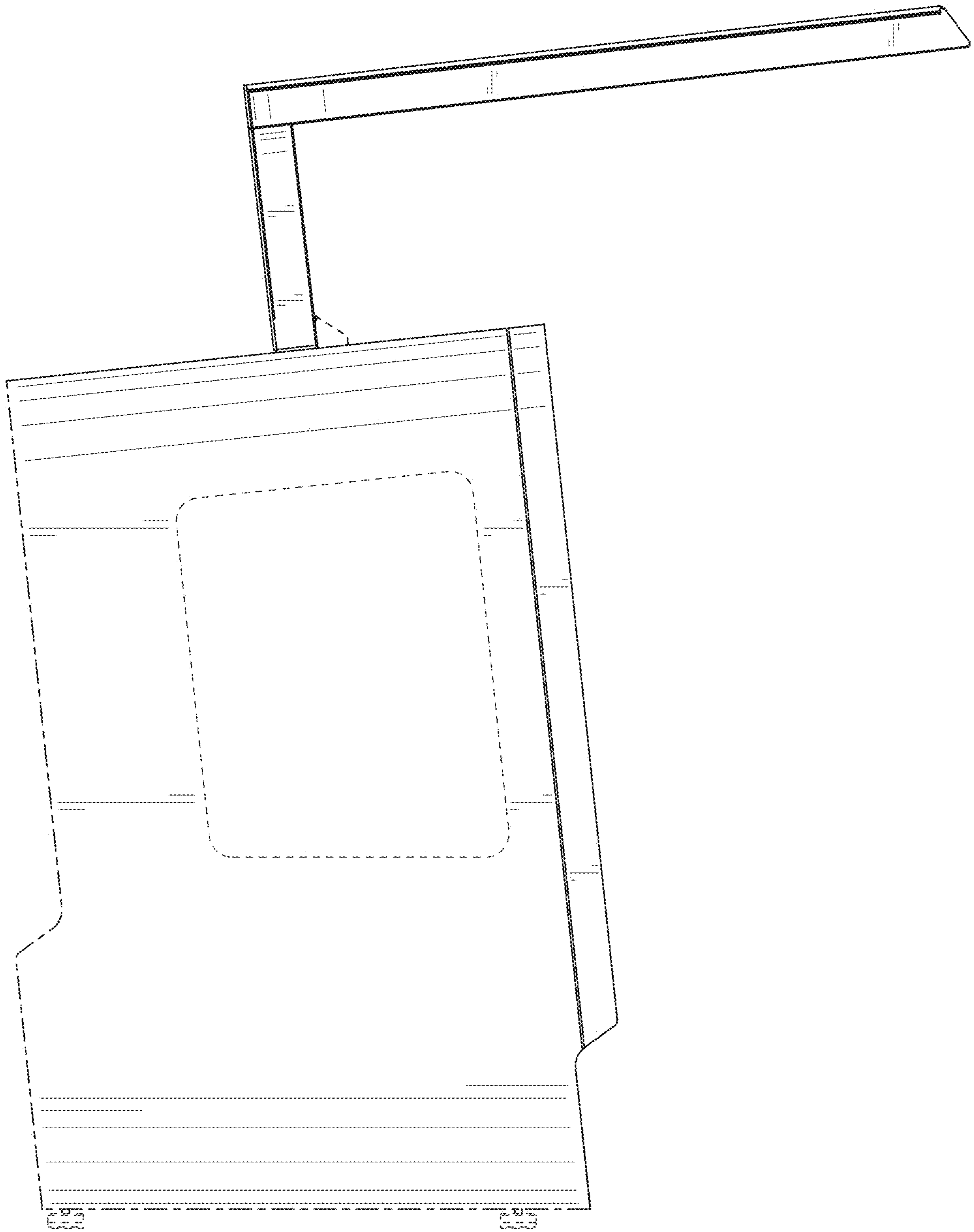


FIG. 4

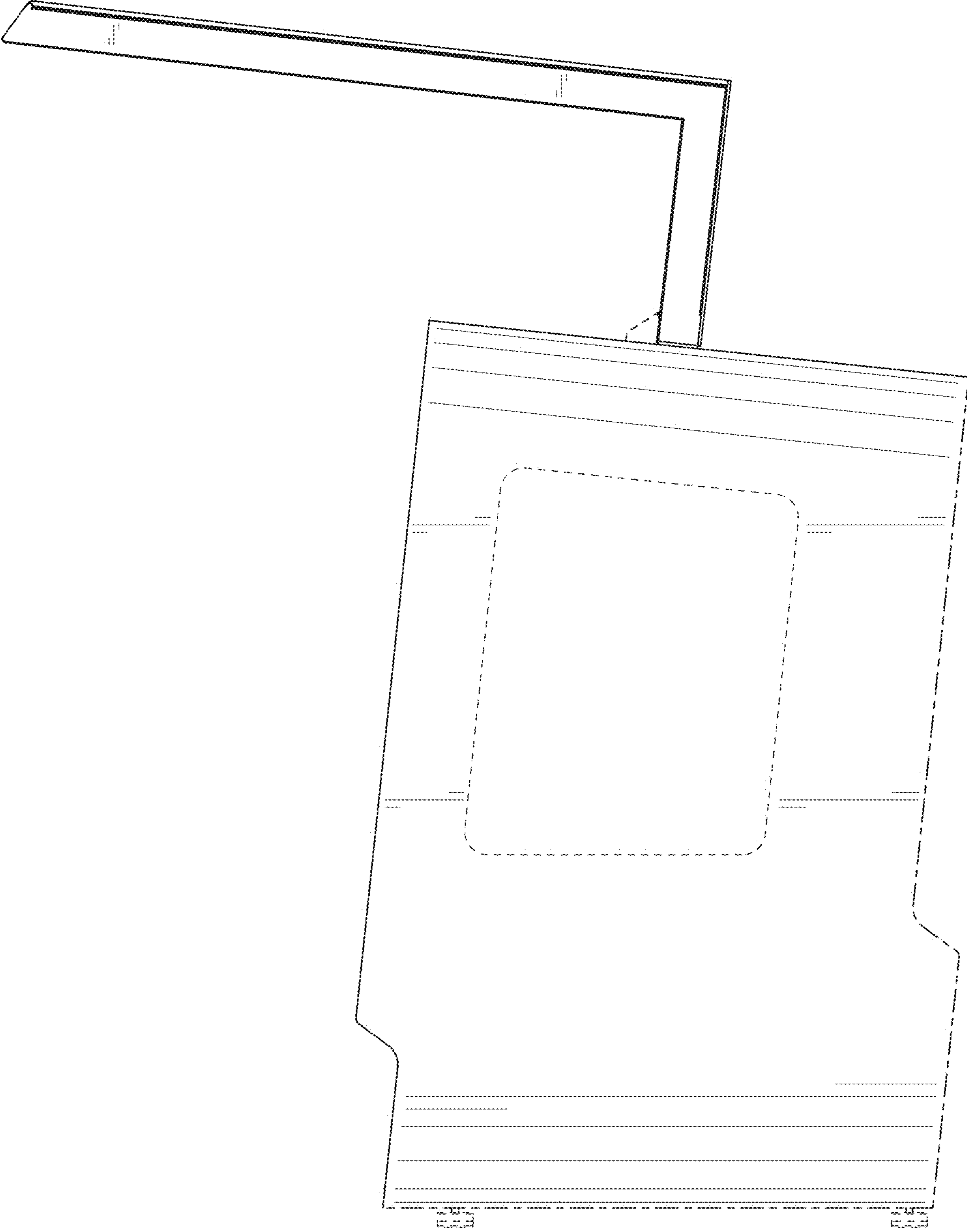


FIG. 5

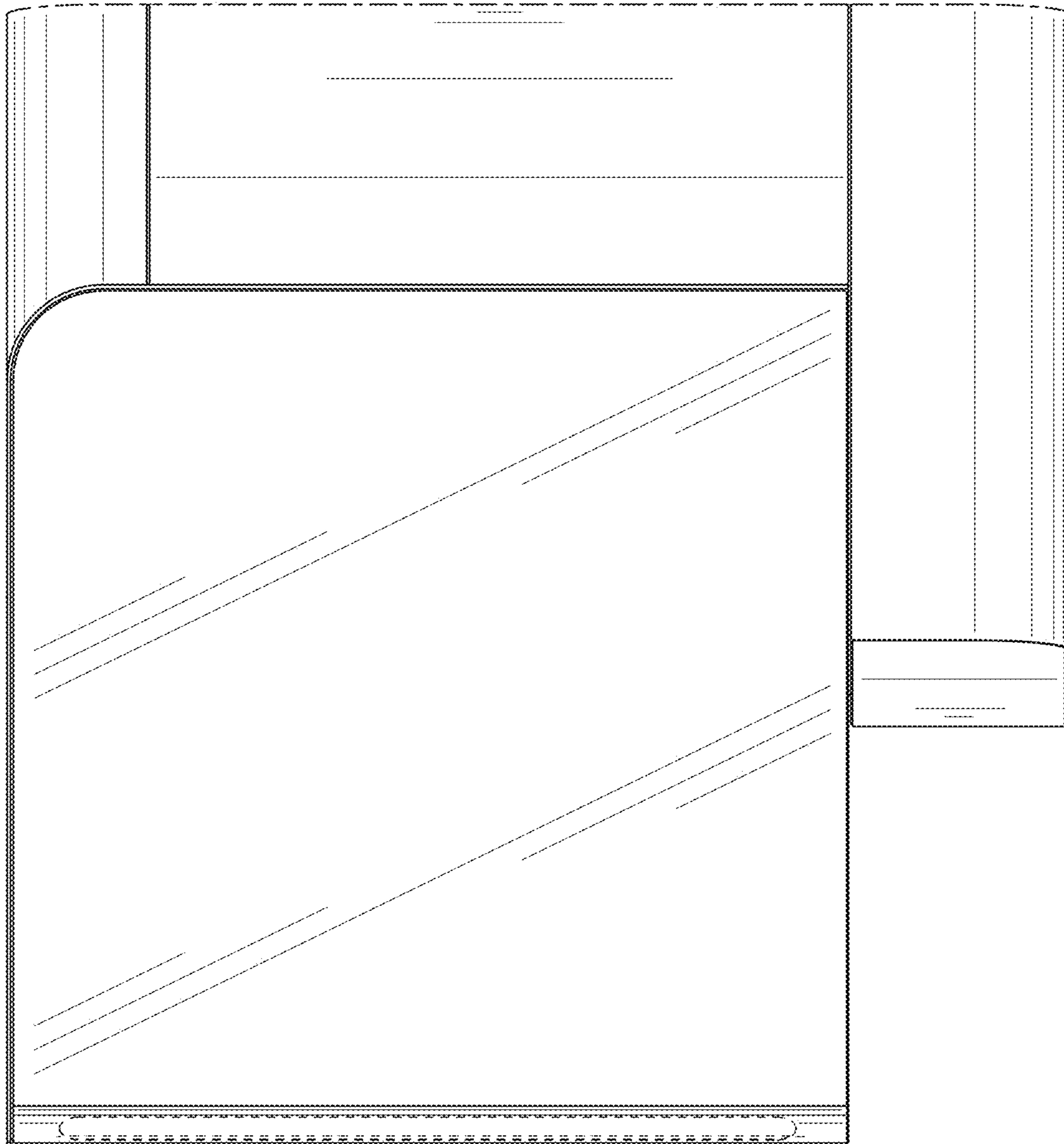


FIG. 6

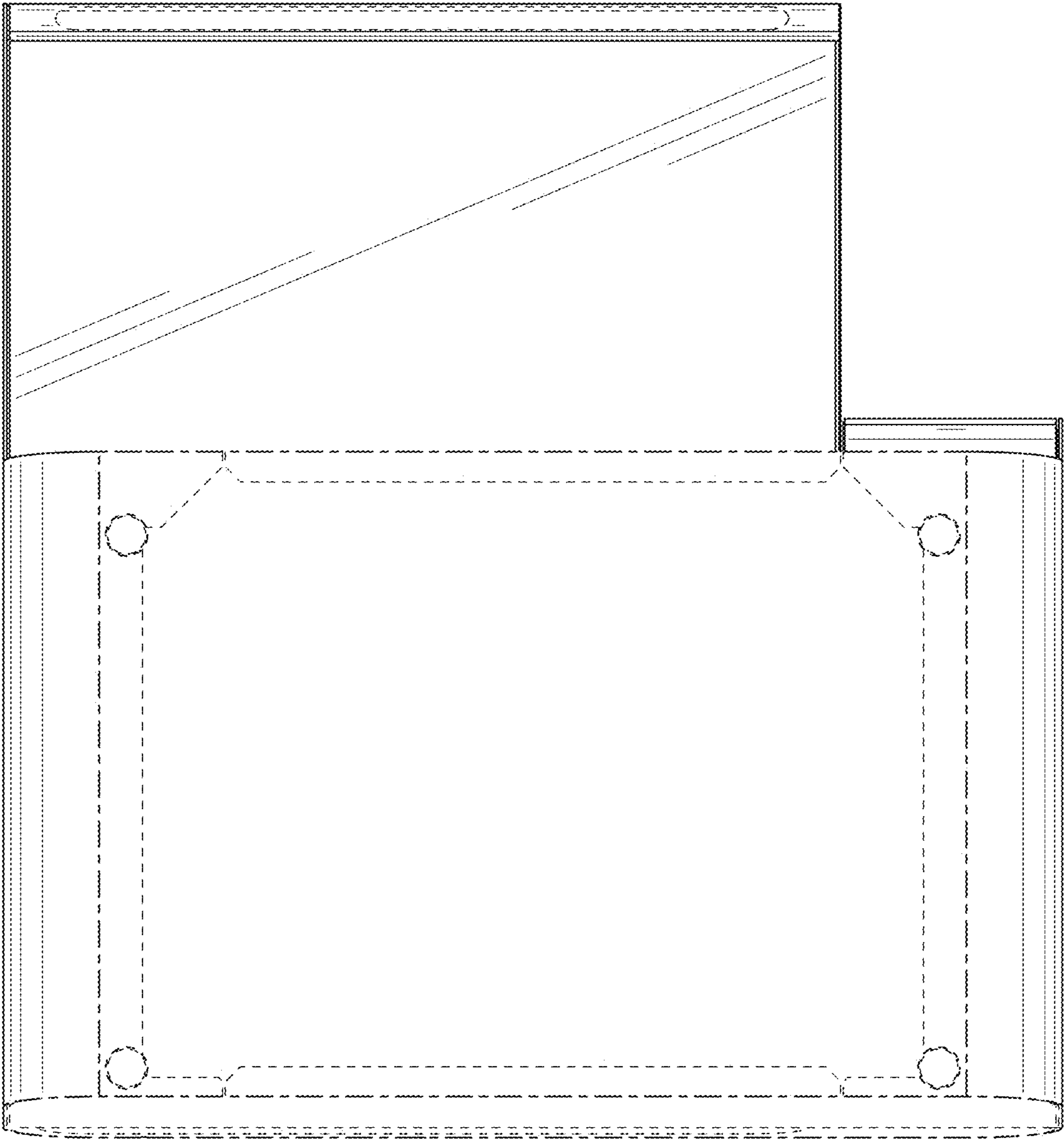


FIG. 7