



US00D905134S

(12) **United States Design Patent** (10) **Patent No.:** **US D905,134 S**  
**Chen** (45) **Date of Patent:** **\*\* \*Dec. 15, 2020**

(54) **3D PRINTER**

(71) Applicant: **Hangzhou Weibin Technology Co., Ltd., Zhejiang (CN)**

(72) Inventor: **Liang Chen, Zhejiang (CN)**

(\*) Notice: This patent is subject to a terminal disclaimer.

(\*\*) Term: **15 Years**

(21) Appl. No.: **29/648,072**

(22) Filed: **May 18, 2018**

(51) **LOC (12) Cl.** ..... **15-09**

(52) **U.S. Cl.**  
USPC ..... **D15/122**

(58) **Field of Classification Search**  
USPC ..... D15/122, 135, 138, 145, 146; D18/6-7, D18/14, 19, 50, 54, 54.1, 55, 59  
CPC .. B29C 47/12; B29C 67/0059; B29C 67/6659  
See application file for complete search history.

(56) **References Cited**

**U.S. PATENT DOCUMENTS**

D207,059 S *	2/1967	Regal .....	D14/469
D325,927 S *	5/1992	Fushiya .....	D18/54
5,939,008 A *	8/1999	Comb .....	B33Y 10/00 264/308
D432,160 S *	10/2000	Kabumoto .....	D18/37
D565,648 S *	4/2008	Egami .....	D18/50
8,252,223 B2 *	8/2012	Medina .....	B33Y 70/00 264/401
D677,723 S *	3/2013	Buel .....	D18/59
D688,741 S *	8/2013	Joyce .....	D18/50
D738,410 S *	9/2015	Liu .....	D15/122
D759,737 S *	6/2016	Gramlich .....	D15/122
D763,330 S *	8/2016	Olive .....	D15/122

D766,998 S *	9/2016	Kao .....	D15/122
D777,227 S *	1/2017	Kao .....	D15/122
D781,357 S *	3/2017	Inaba .....	D15/122
D783,693 S *	4/2017	Reches .....	D15/122
D787,574 S *	5/2017	Lee .....	D15/122
D797,822 S *	9/2017	Grobe .....	D15/122
D810,156 S *	2/2018	Lin .....	D15/135
D841,702 S *	2/2019	Moroni .....	D15/122
10,195,778 B2 *	2/2019	Wolf .....	B33Y 30/00
2015/0321426 A1 *	11/2015	Lee .....	B33Y 40/00 264/40.7

\* cited by examiner

*Primary Examiner* — Patricia A Palasik

(74) *Attorney, Agent, or Firm* — Prakash Nama; Global IP Services, PLLC

(57) **CLAIM**

The ornamental design for a 3D printer, as shown and described.

**DESCRIPTION**

FIG. 1 is a front elevational view of a 3D printer showing my new design;

FIG. 2 is a rear elevational view thereof;

FIG. 3 is a left side view in enlarge scale thereof;

FIG. 4 is a right side view in enlarge scale thereof;

FIG. 5 is a top plan view thereof;

FIG. 6 is a bottom plan view thereof;

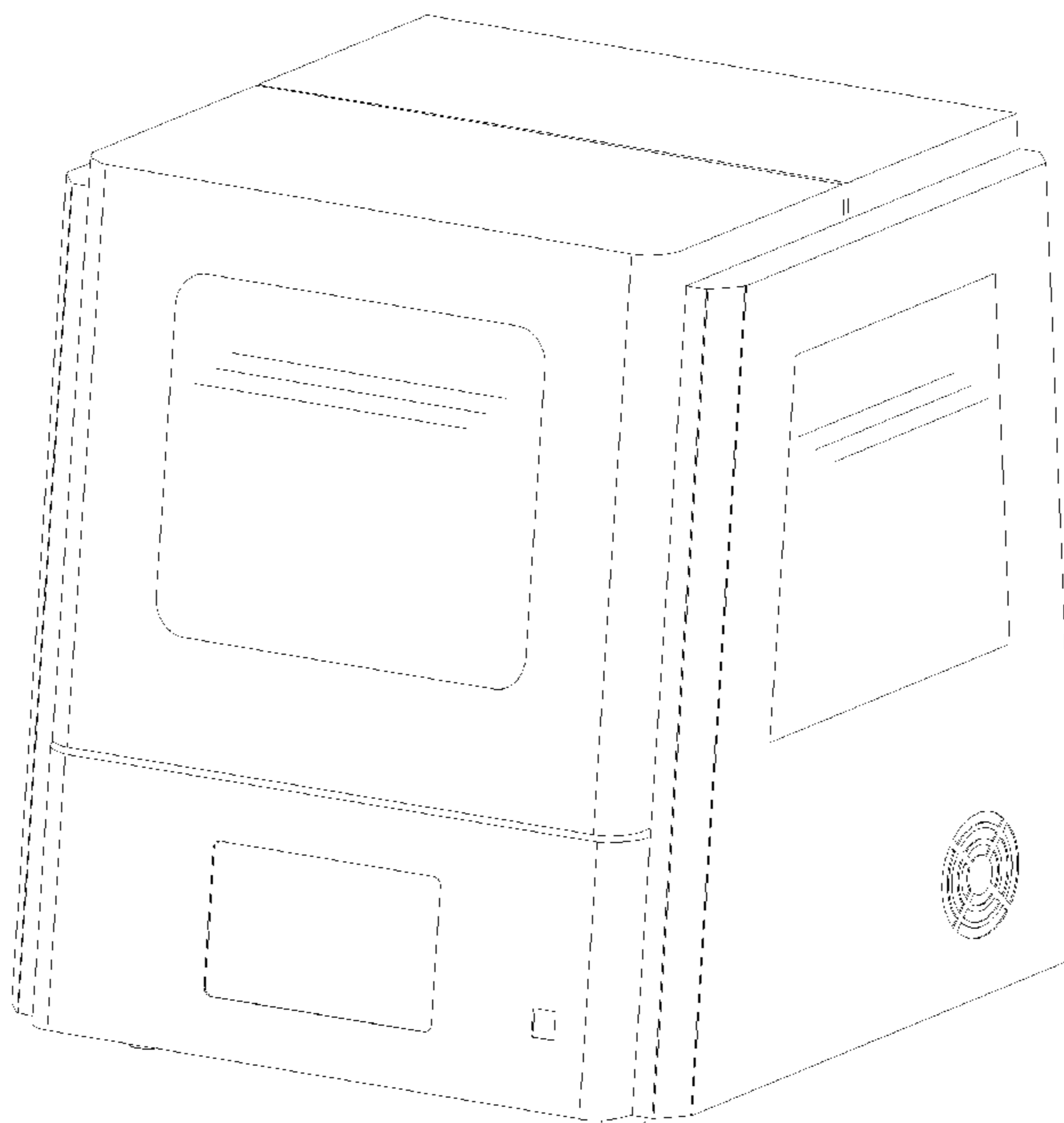
FIG. 7 is a perspective view thereof;

FIG. 8 is a second perspective view thereof; and,

FIG. 9 is a third perspective view thereof.

The uniform horizontal parallel lines on the rectangular element on the rear side of the 3D printer and on the trapezoid elements on the left and right sides of the 3D printer are conventional shadings intended to illustrate the surfaces concerned being flat and non-transparent.

**1 Claim, 9 Drawing Sheets**



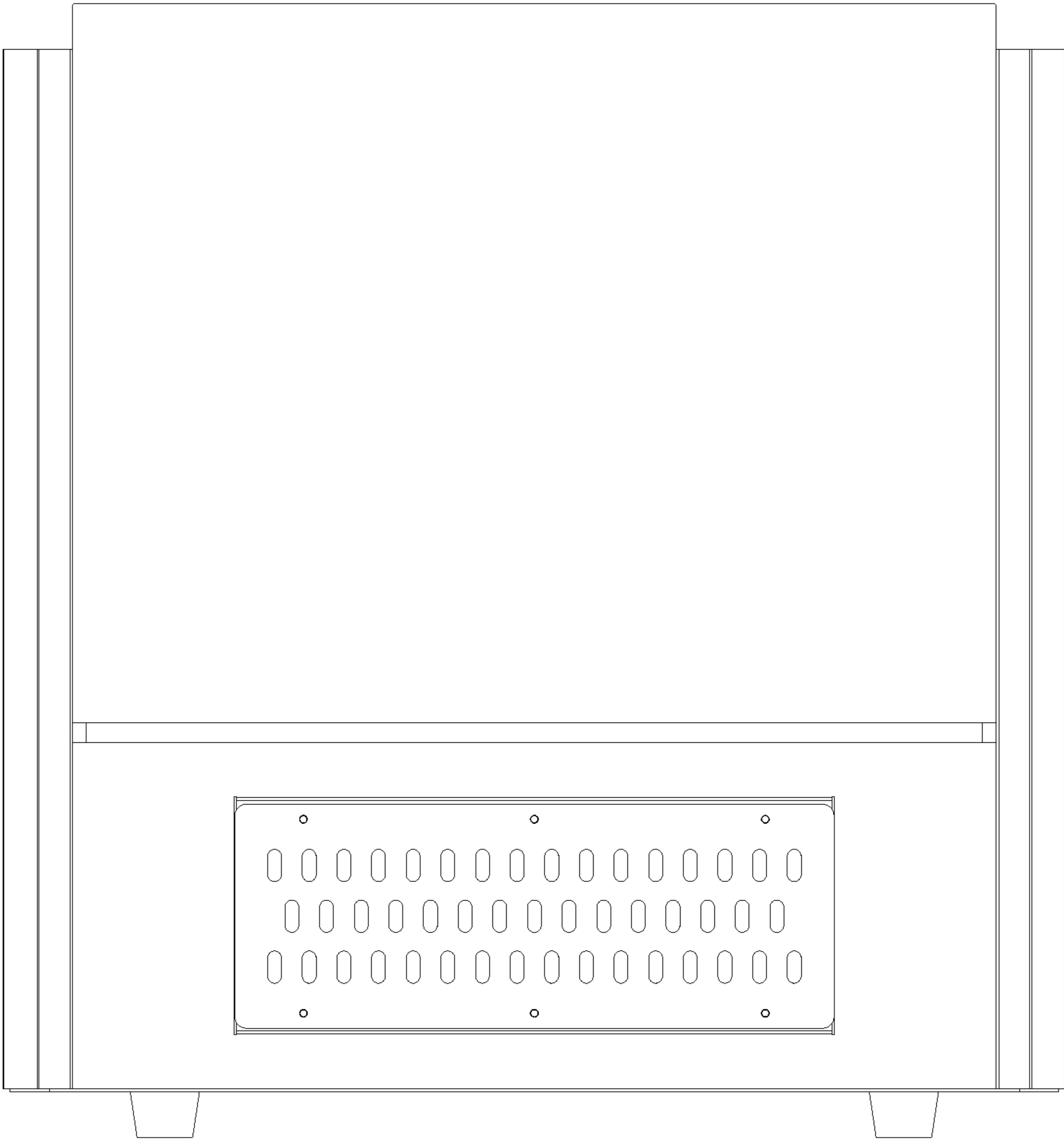


Fig. 1

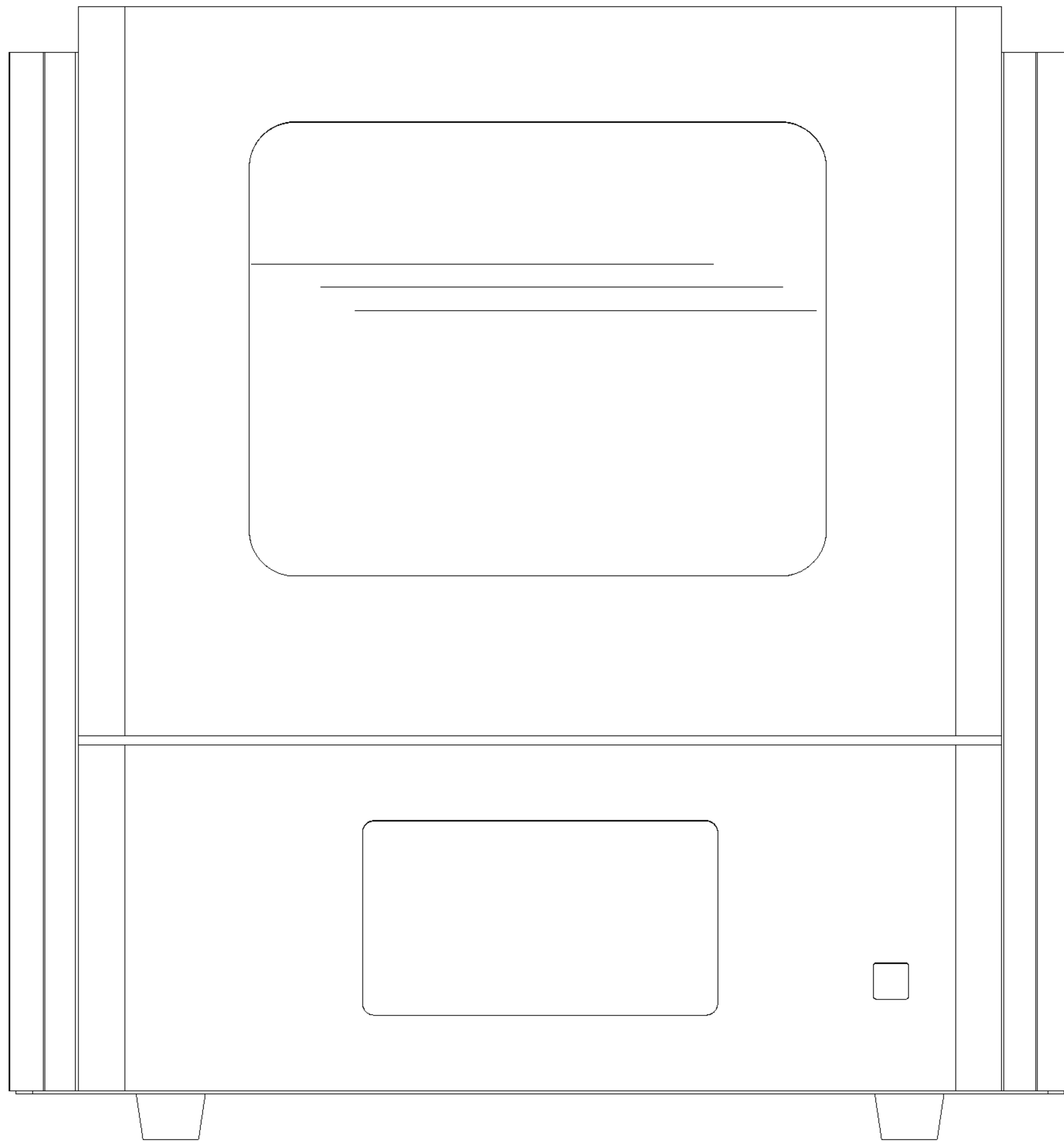


Fig. 2

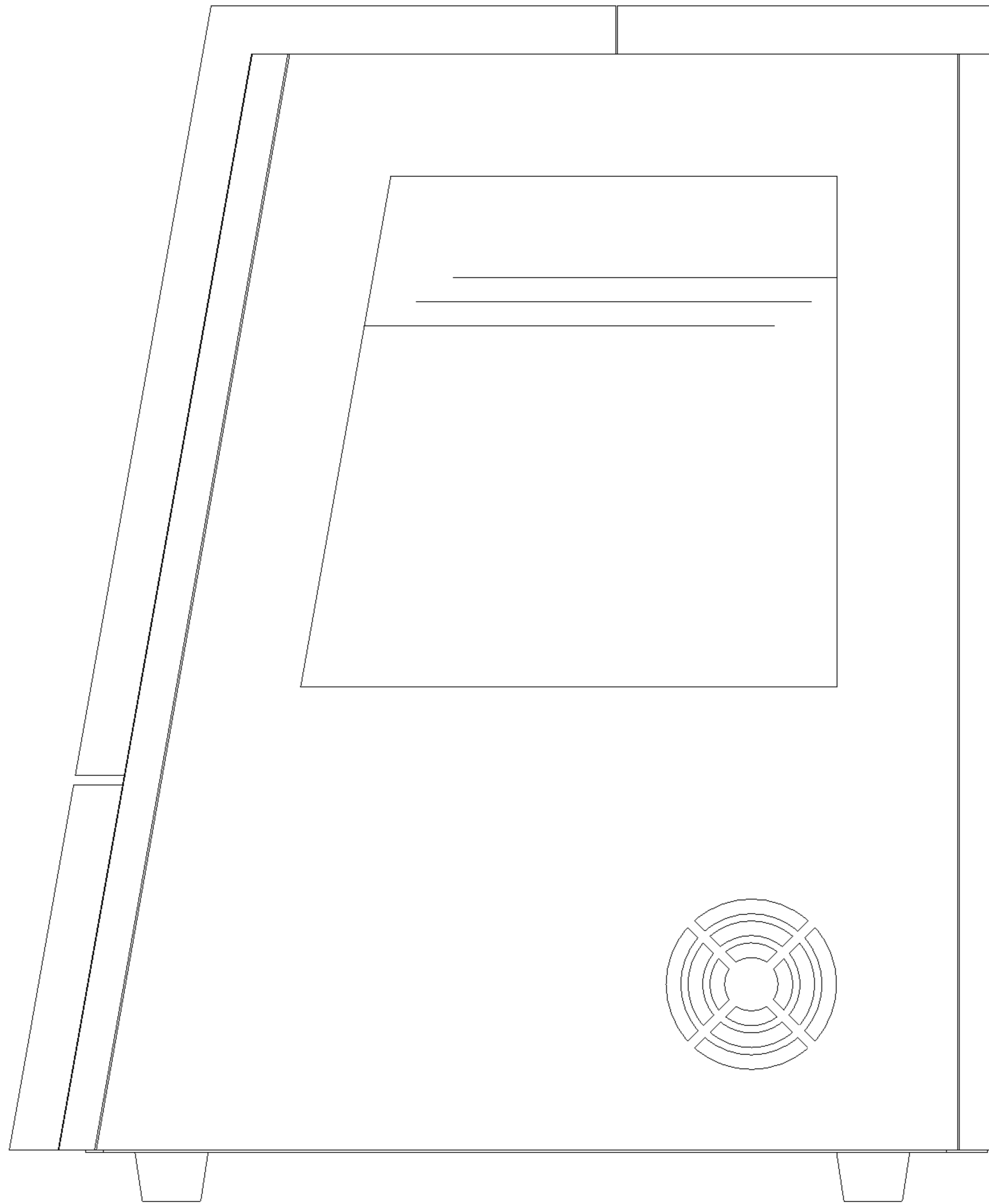


Fig. 3

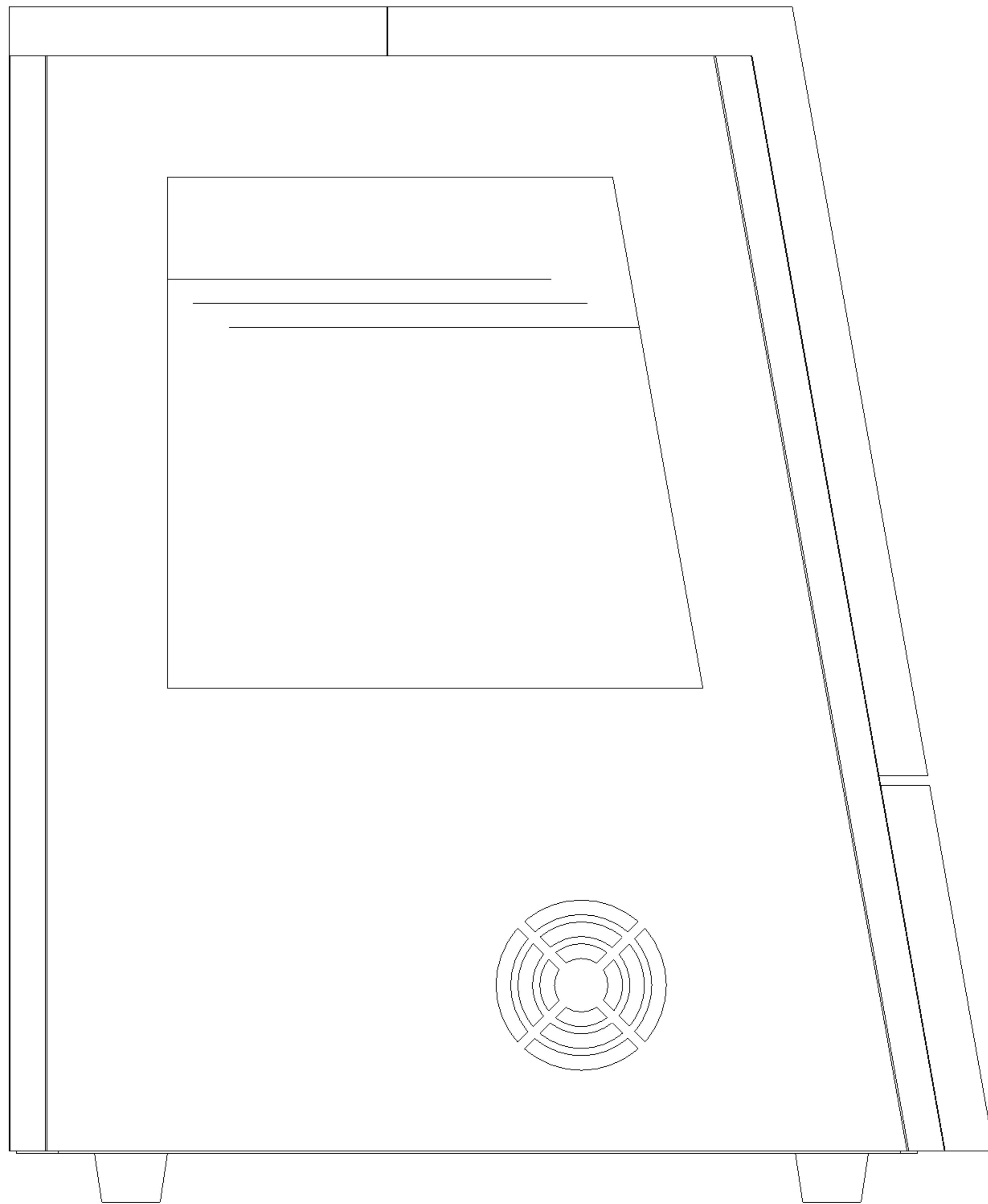


Fig. 4

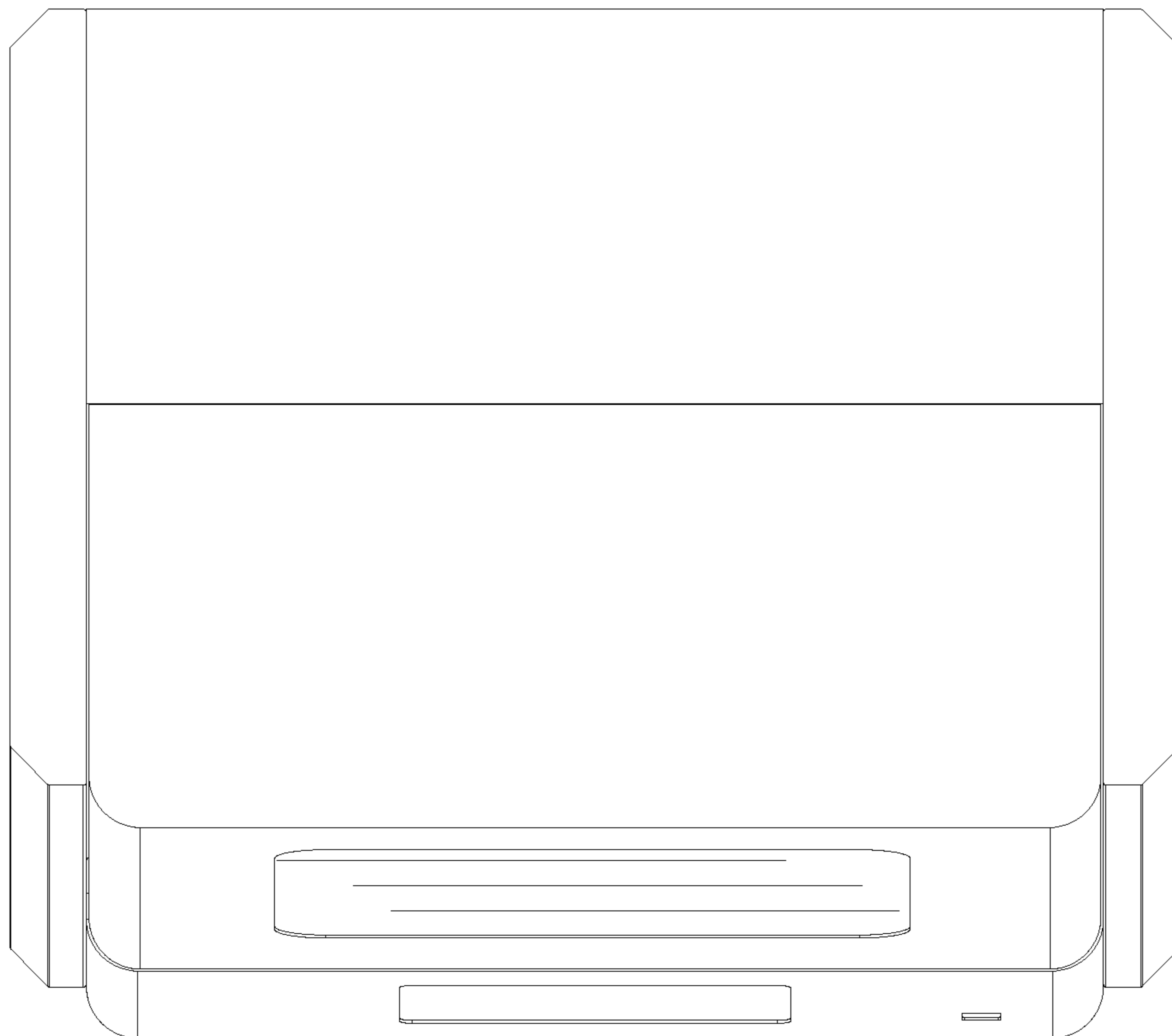


Fig. 5

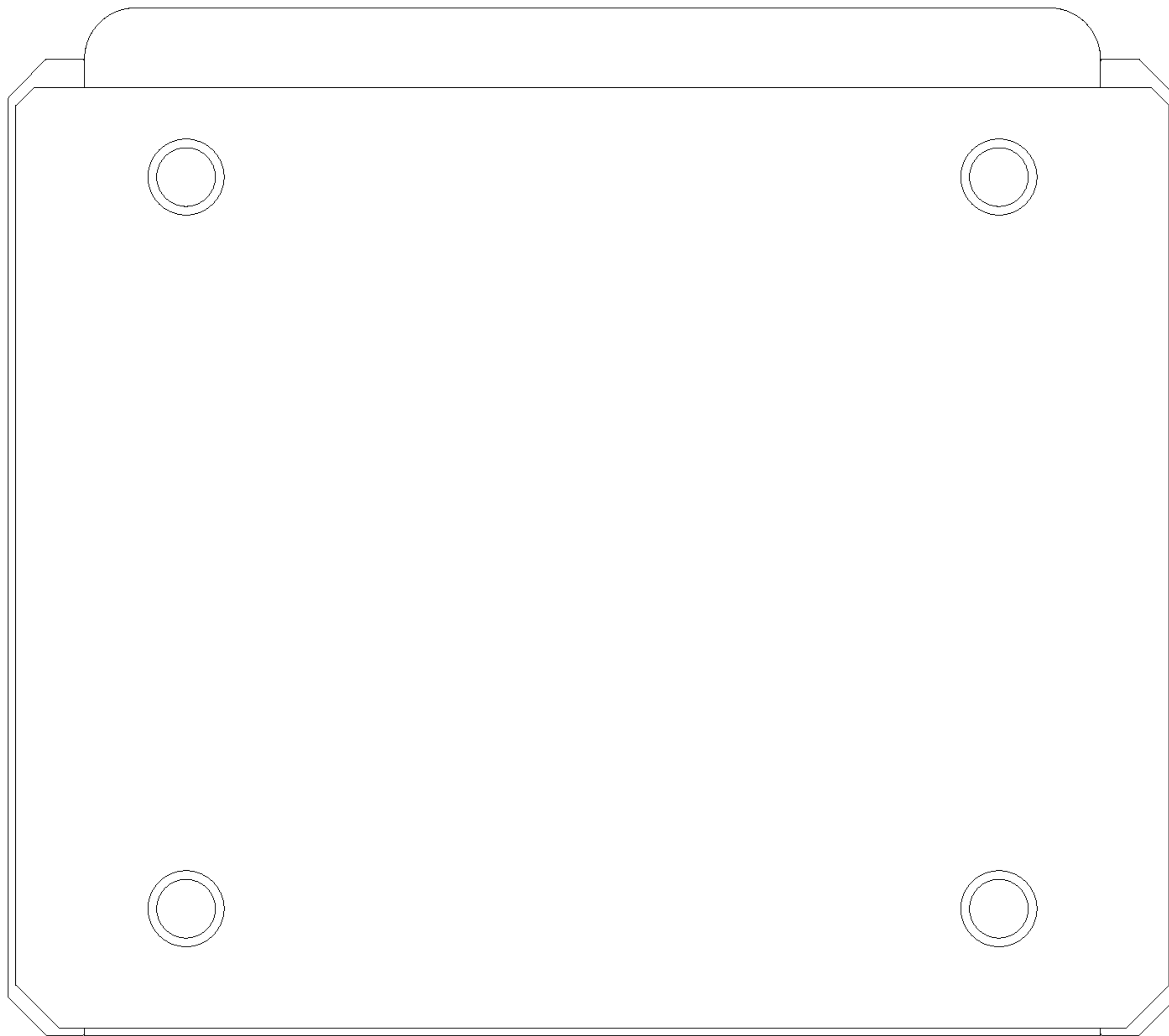


Fig. 6

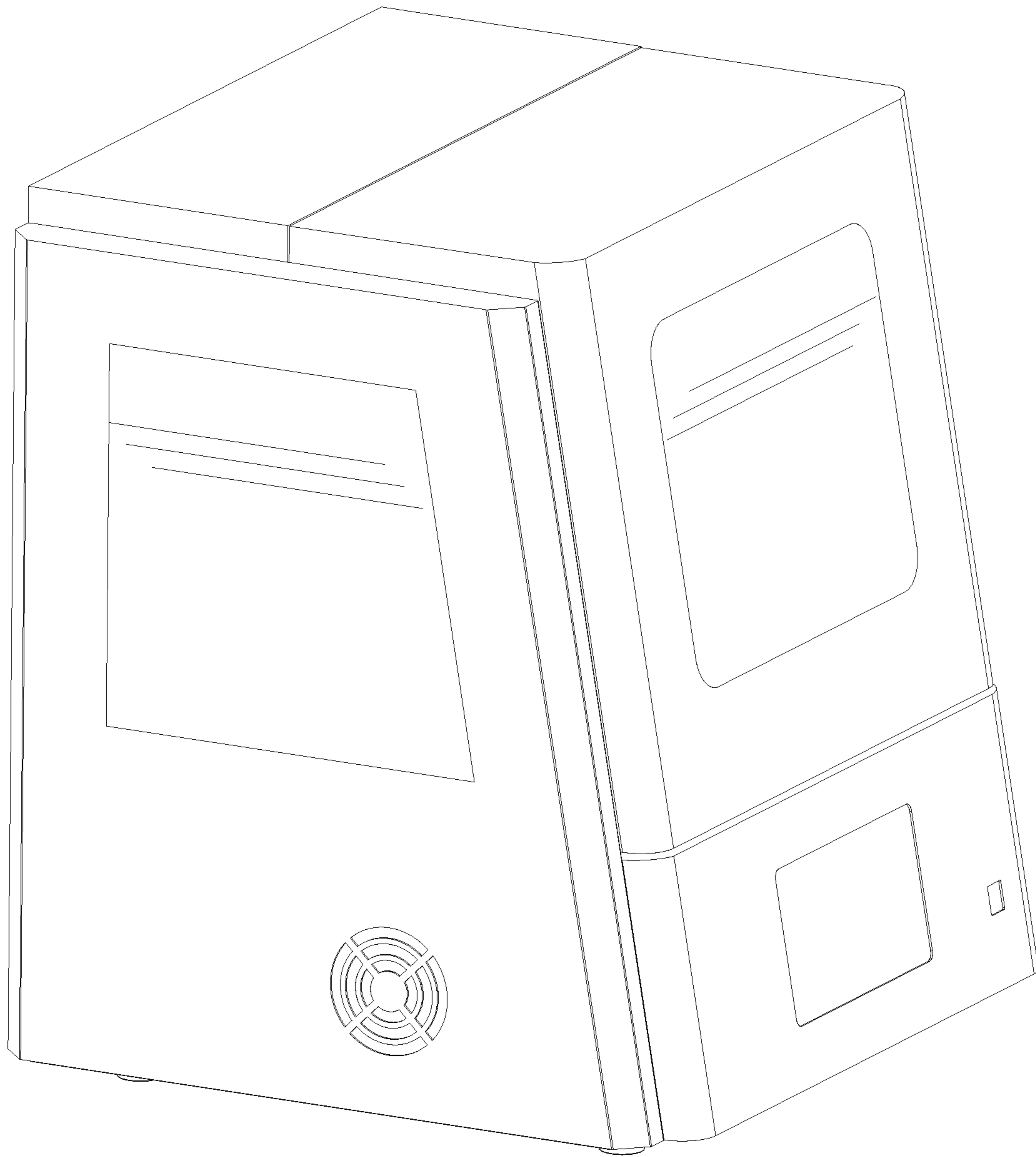


Fig. 7



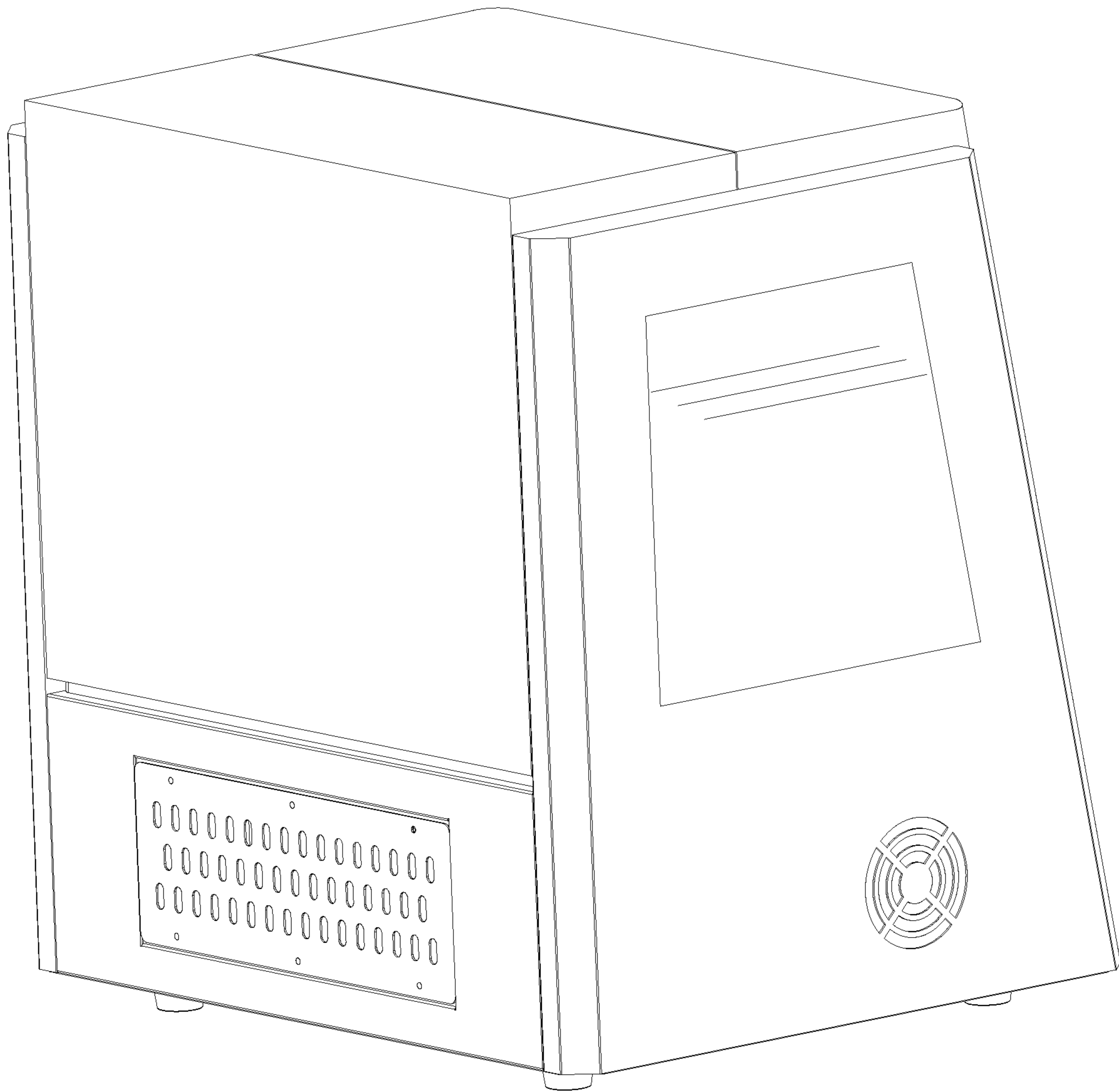


Fig. 8

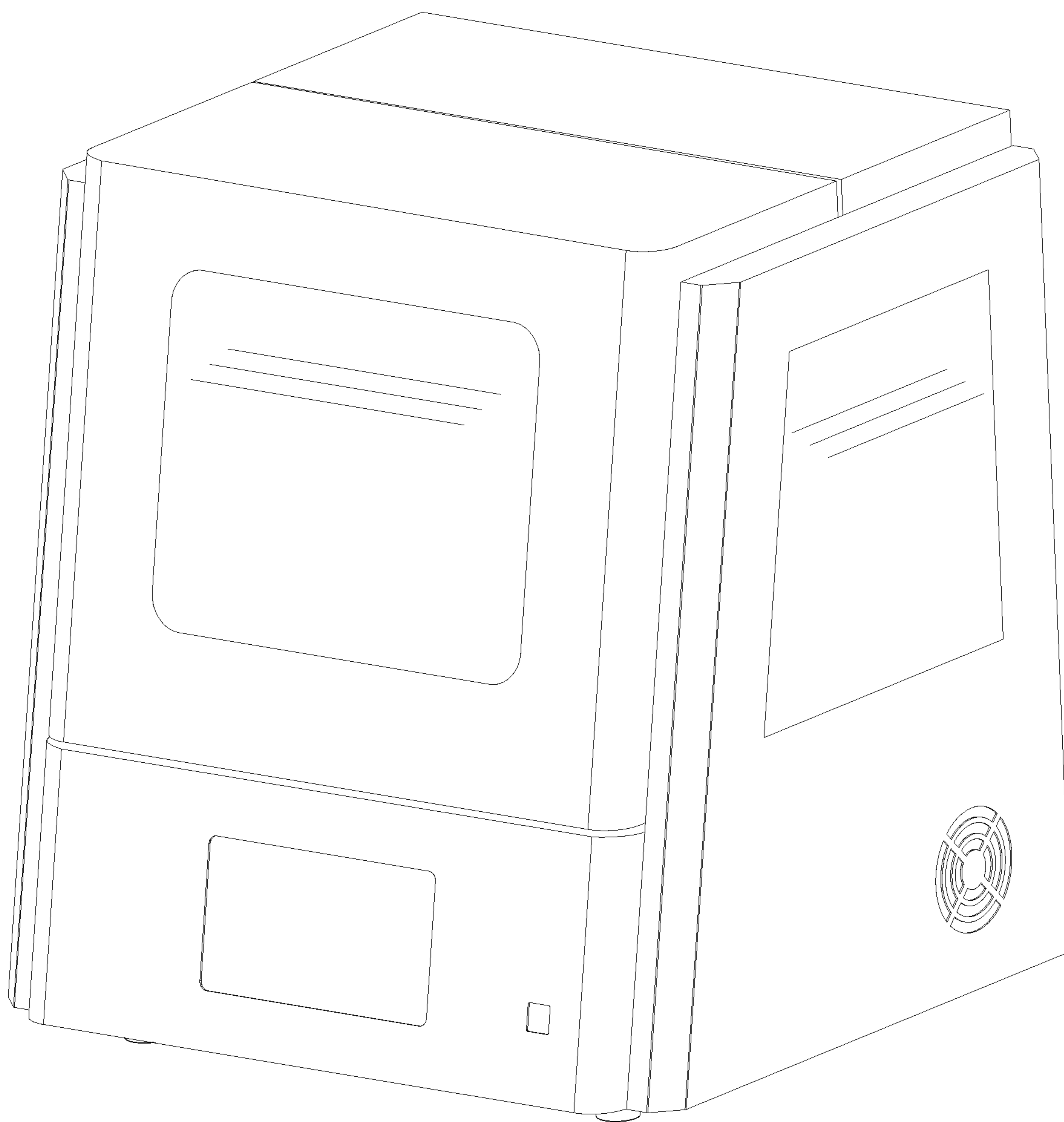


Fig. 9