



US00D905133S

(12) **United States Design Patent** (10) **Patent No.:** **US D905,133 S**
Sendowski et al. (45) **Date of Patent:** **** Dec. 15, 2020**

- (54) **TRAY**
- (71) Applicant: **SOUPER PRODUCTS, LLC**, Beverly Hills, CA (US)
- (72) Inventors: **Jacob Benjamin Sendowski**, Beverly Hills, CA (US); **Michelle Sendowski**, Beverly Hills, CA (US)
- (73) Assignee: **SOUPER PRODUCTS, LLC**, Beverly Hills, CA (US)
- (**) Term: **15 Years**
- (21) Appl. No.: **29/689,484**
- (22) Filed: **Apr. 30, 2019**

Related U.S. Application Data

- (63) Continuation-in-part of application No. 29/639,351, filed on Mar. 6, 2018, now Pat. No. Des. 887,460.
- (51) **LOC (12) Cl.** **15-07**
- (52) **U.S. Cl.**
USPC **D15/90**
- (58) **Field of Classification Search**
USPC D15/79-91
CPC .. F25D 11/00; F25D 17/065; F25D 2325/022;
F25D 23/069; F25D 25/025; F25D 11/02;
F25D 17/062; F25D 21/12; F25D 21/125;
F25D 21/14; F25D 2317/061; F25D
2317/067; F25D 2323/021; F25D
(Continued)

(56) **References Cited**

U.S. PATENT DOCUMENTS

- 2,514,942 A * 7/1950 Eaton F25C 1/24
249/187.1
- 2,955,044 A * 10/1960 Tupper A23G 9/221
426/515

(Continued)

Primary Examiner — Khawaja Anwar
(74) Attorney, Agent, or Firm — Hankin Patent Law,
 APC; Kevin Schraven; Anooj Patel

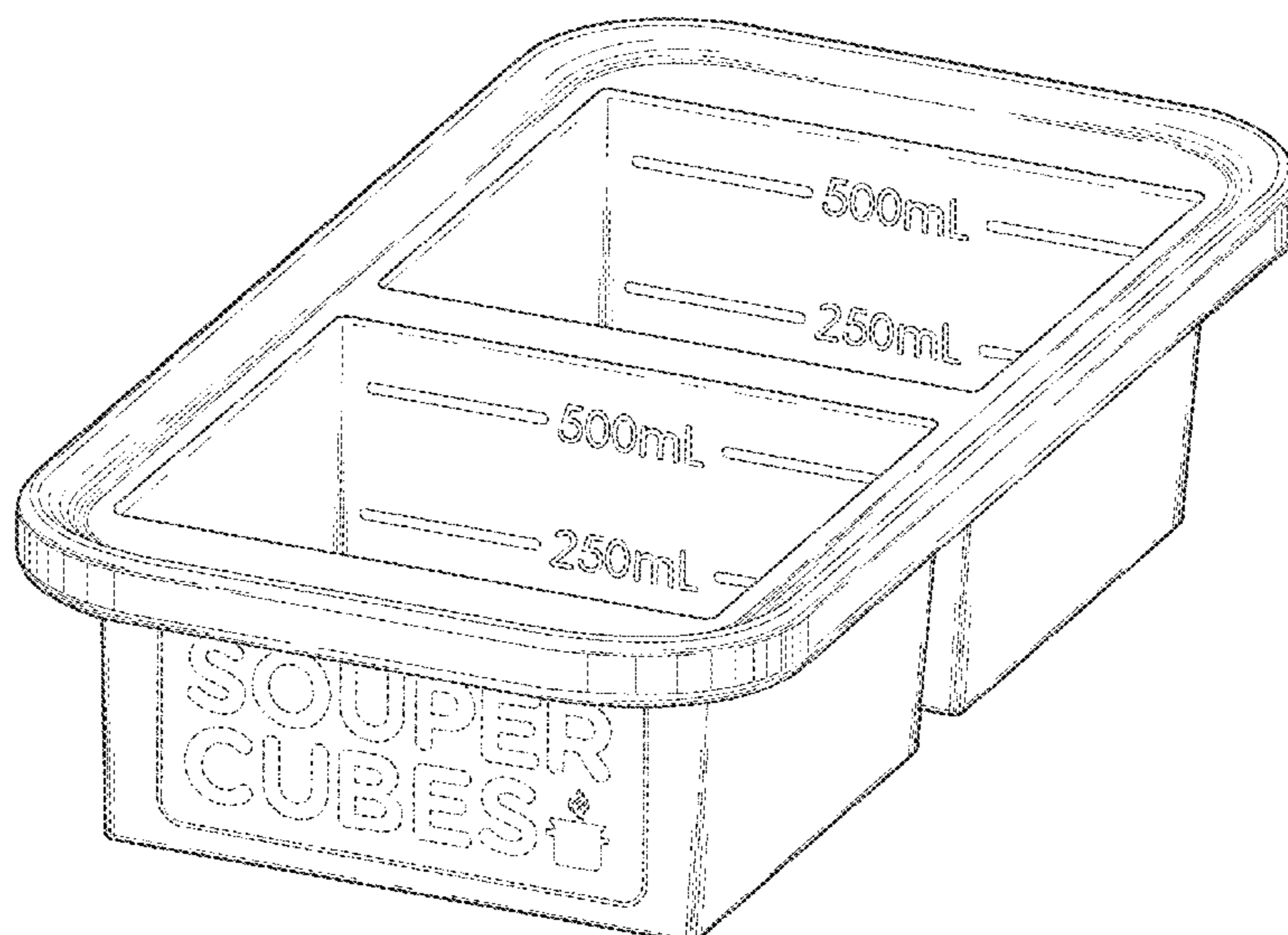
(57) **CLAIM**

The ornamental design for a tray, as shown and described.

DESCRIPTION

FIG. 1 is a top perspective view of a first embodiment of a tray, showing our new design.
 FIG. 2 is a bottom perspective view thereof.
 FIG. 3 is a front elevational view thereof.
 FIG. 4 is a rear elevational view thereof.
 FIG. 5 is a left side elevational view thereof.
 FIG. 6 is a right side elevational view thereof.
 FIG. 7 is a top plan view thereof.
 FIG. 8 is a bottom plan view thereof.
 FIG. 9 is a top perspective view of another embodiment of a tray, showing our new design.
 FIG. 10 is a bottom perspective view thereof.
 FIG. 11 is a front elevational view thereof.
 FIG. 12 is a rear elevational view thereof.
 FIG. 13 is a left side elevational view thereof.
 FIG. 14 is a right side elevational view thereof.
 FIG. 15 is a top plan view thereof.
 FIG. 16 is a bottom plan view thereof.
 FIG. 17 is a top perspective view of another embodiment of a tray, showing our new design.
 FIG. 18 is a bottom perspective view thereof.
 FIG. 19 is a front elevational view thereof.
 FIG. 20 is a rear elevational view thereof.
 FIG. 21 is a left side elevational view thereof.
 FIG. 22 is a right side elevational view thereof.
 FIG. 23 is a top plan view thereof; and,
 FIG. 24 is a bottom plan view thereof.
 The broken lines showing certain markings and measurements lines are for the purpose of illustrating environmental structure and unclaimed subject matter and form no part of the claimed design.

1 Claim, 24 Drawing Sheets



(58) **Field of Classification Search**

CPC .. 2323/024; F25D 23/028; F25D 23/04; F25D
23/066; F25D 23/085; F25D 23/087;
F25D 23/126; F25D 2400/02; F25D
2400/06; F25D 2400/361; F25D 2400/40;
F25D 25/005; F25D 25/02; F25D
2600/02; F25D 2700/02; F25D 2700/12;
F25D 2700/121; F25D 2700/14; F25D
29/00

See application file for complete search history.

(56) **References Cited**

U.S. PATENT DOCUMENTS

4,967,995	A *	11/1990	Burgess	F25C 1/24 220/350
5,044,600	A *	9/1991	Shannon	F25C 1/243 221/91
D342,264	S *	12/1993	Pittman	D15/90
6,168,131	B1 *	1/2001	Tabatabaie	F25C 1/24 249/119
D616,269	S *	5/2010	Kulzer	D7/701
D697,095	S *	1/2014	Chan	D15/90
D706,316	S *	6/2014	Hoyord	D15/90
10,154,646	B2 *	12/2018	Clark	A01J 19/00
D857,766	S *	8/2019	Tseng	D15/90
D887,460	S *	6/2020	Sendowski	D15/90
2012/0055188	A1 *	3/2012	Levie	F25C 1/24 62/340

* cited by examiner

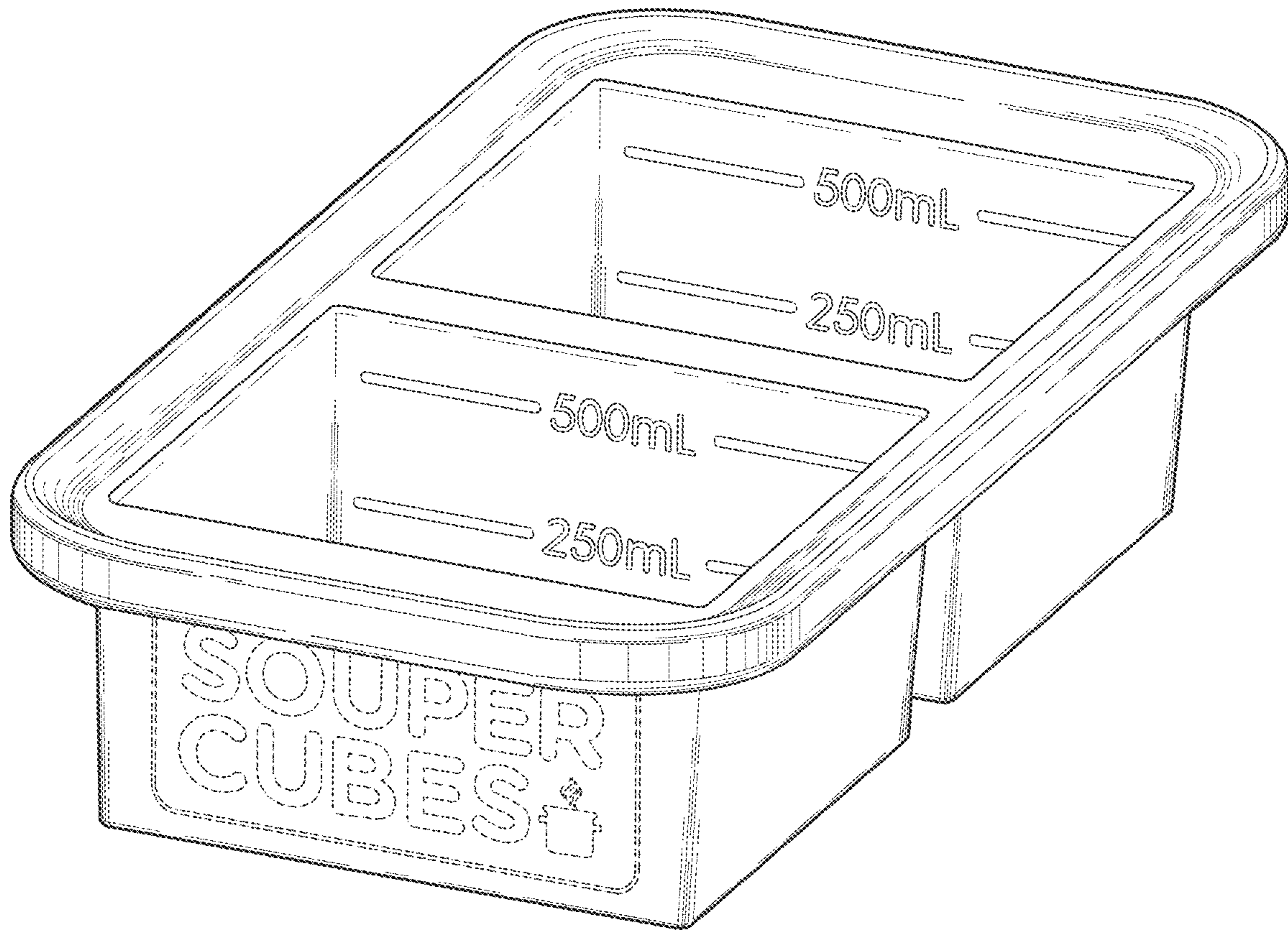


Fig. 1

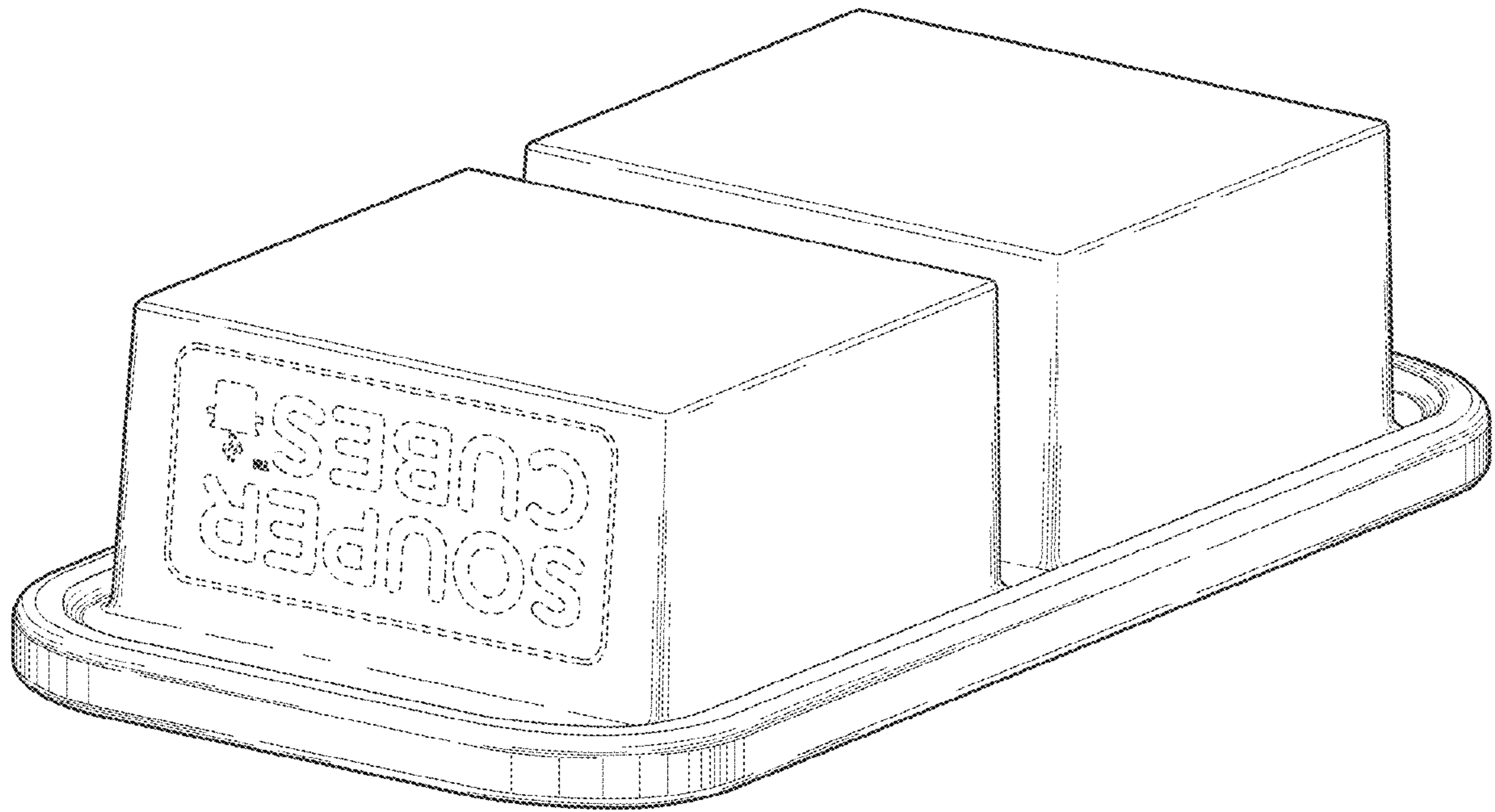


Fig.2

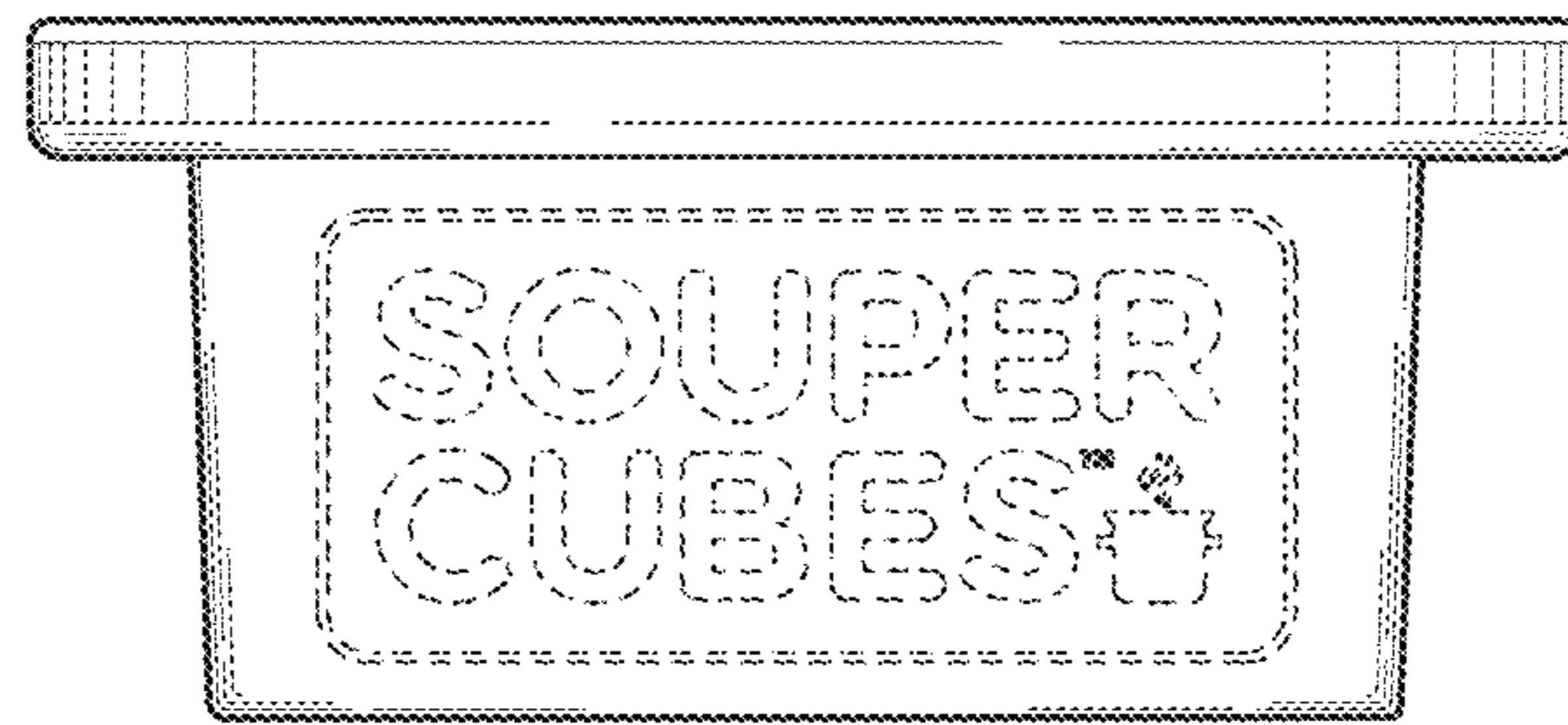


Fig.3

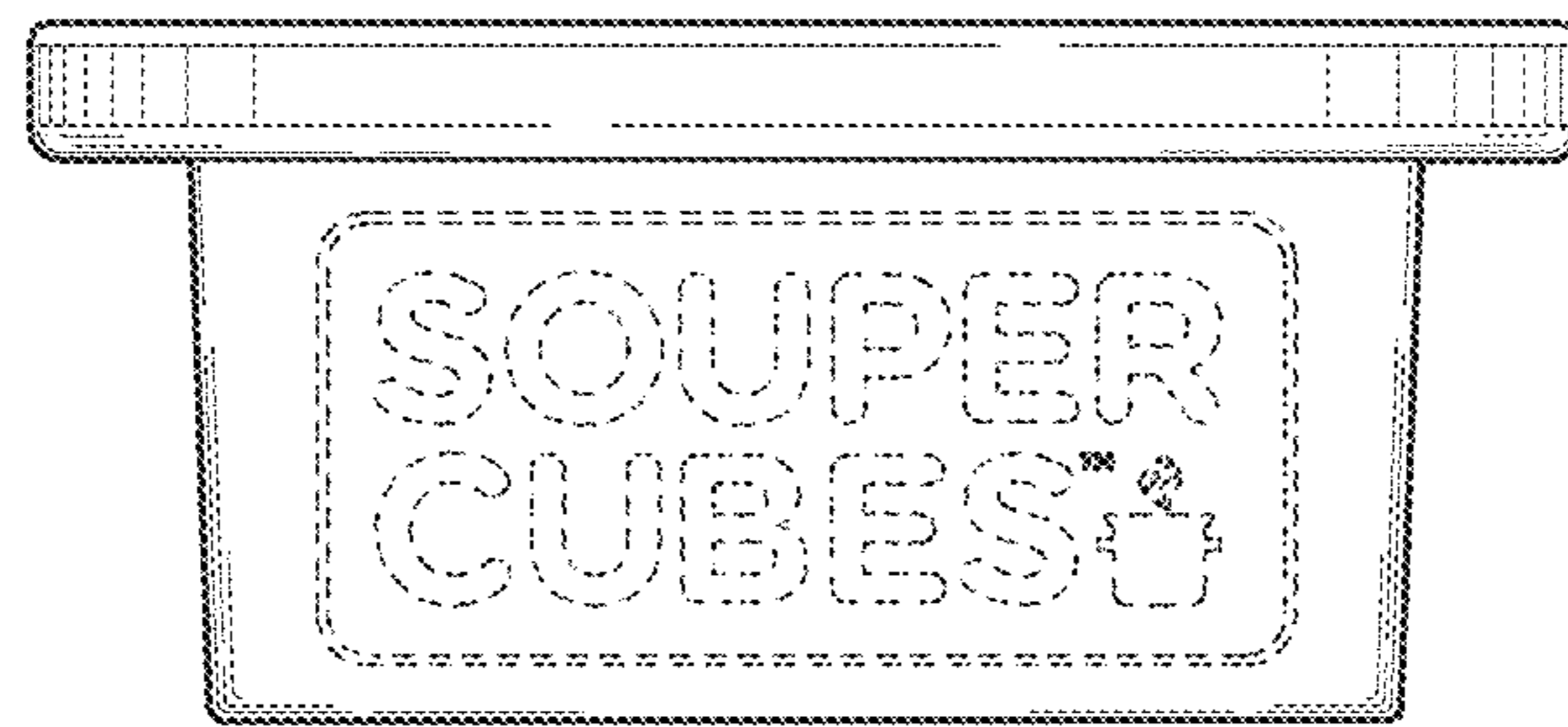


Fig.4

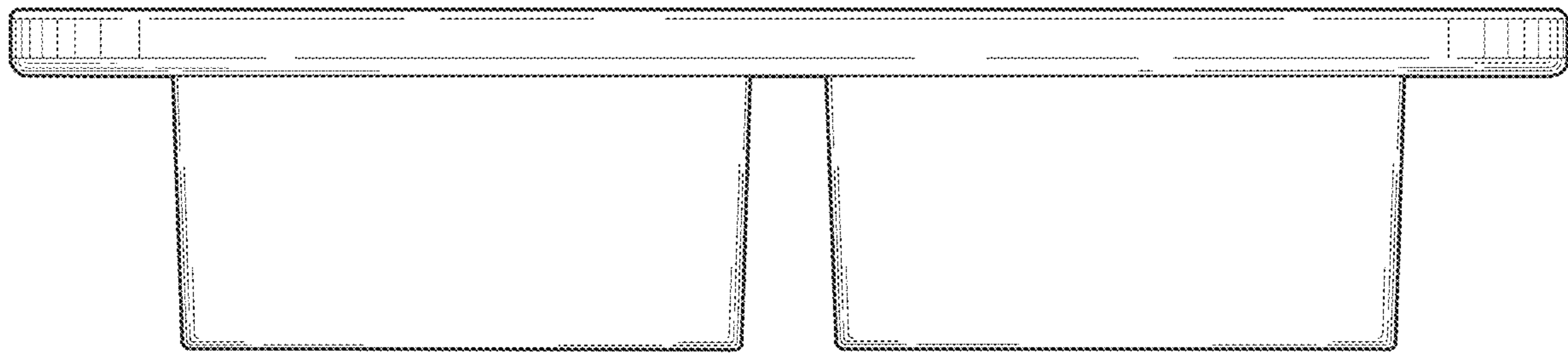


Fig.5

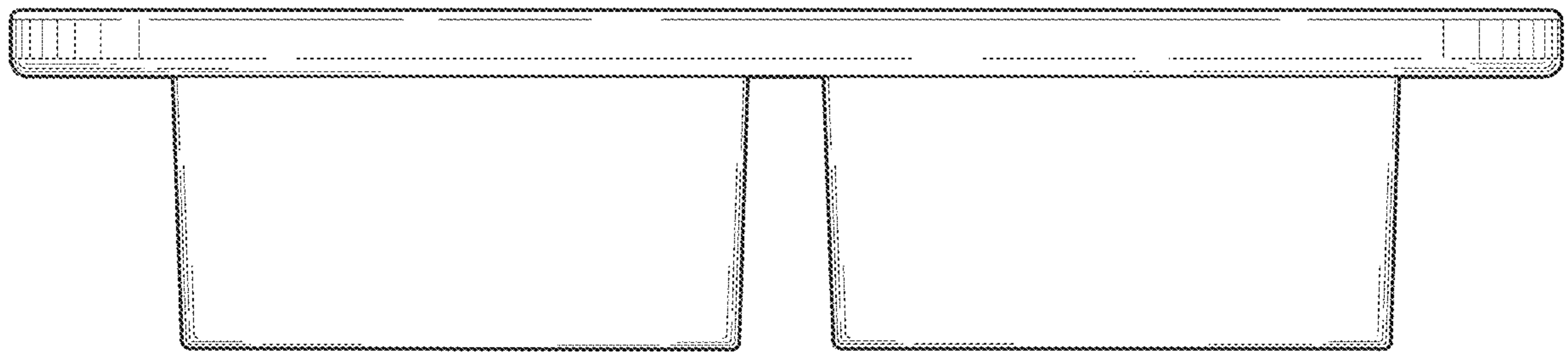


Fig.6

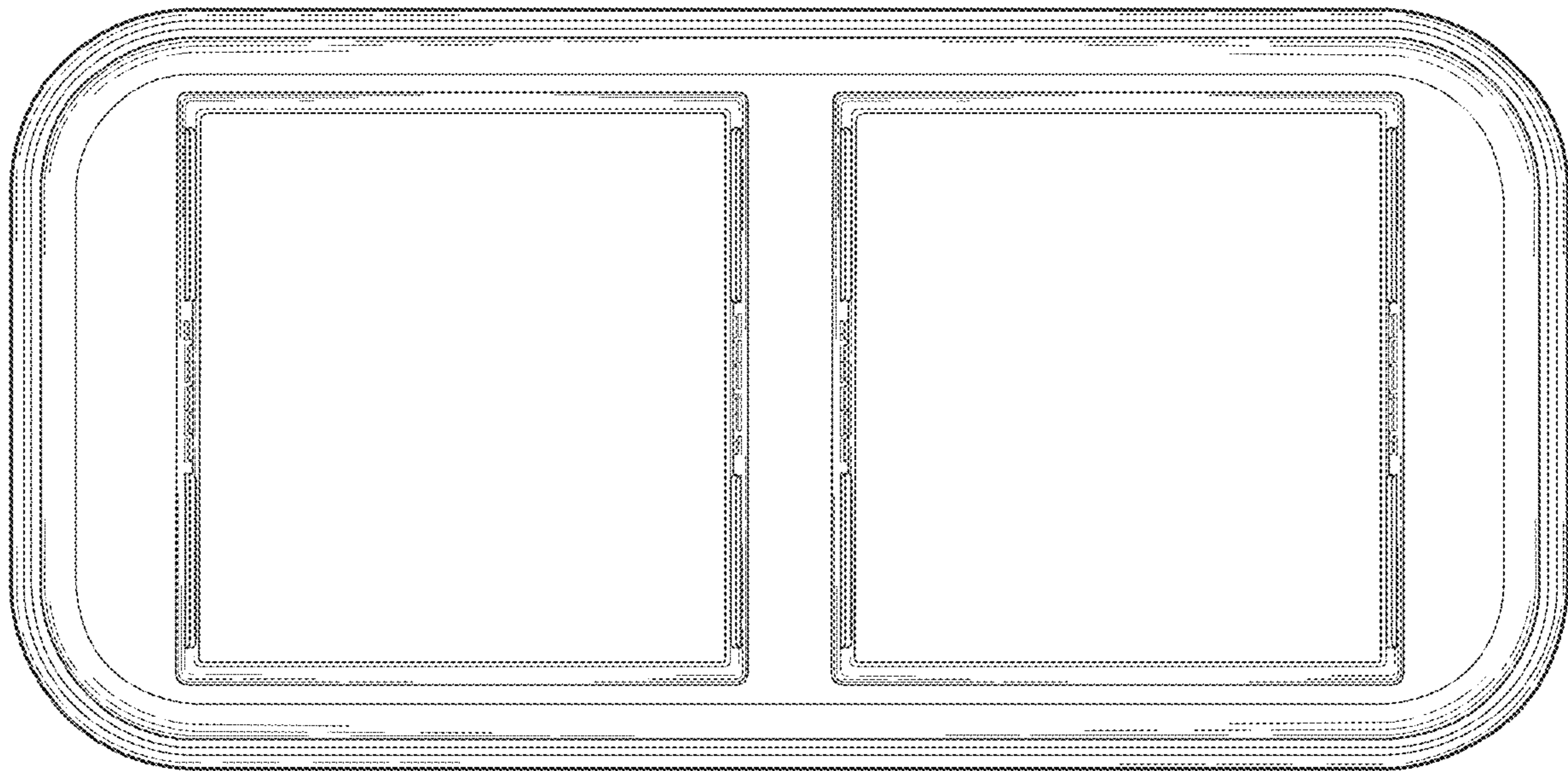


Fig. 7

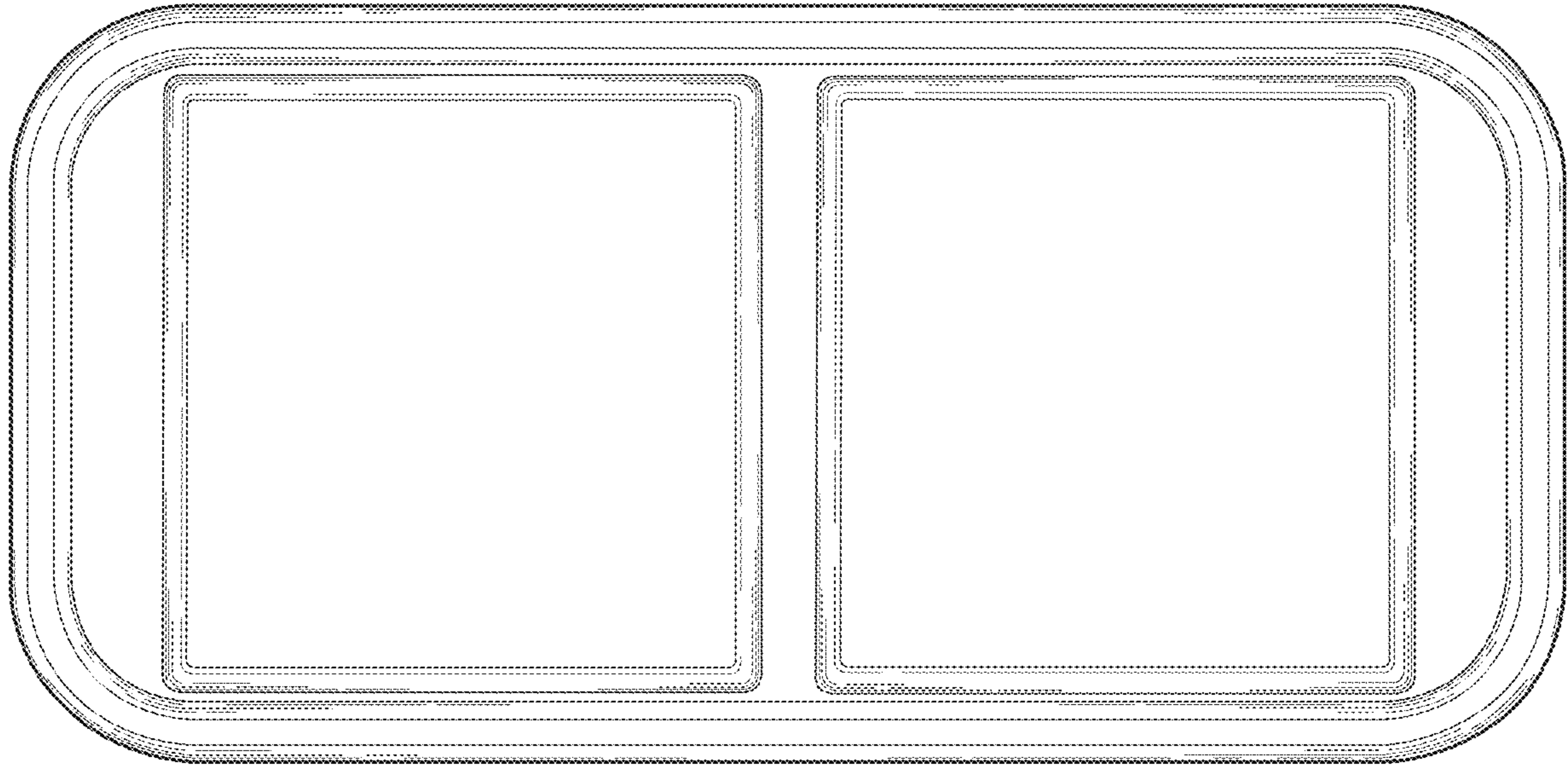


Fig.8

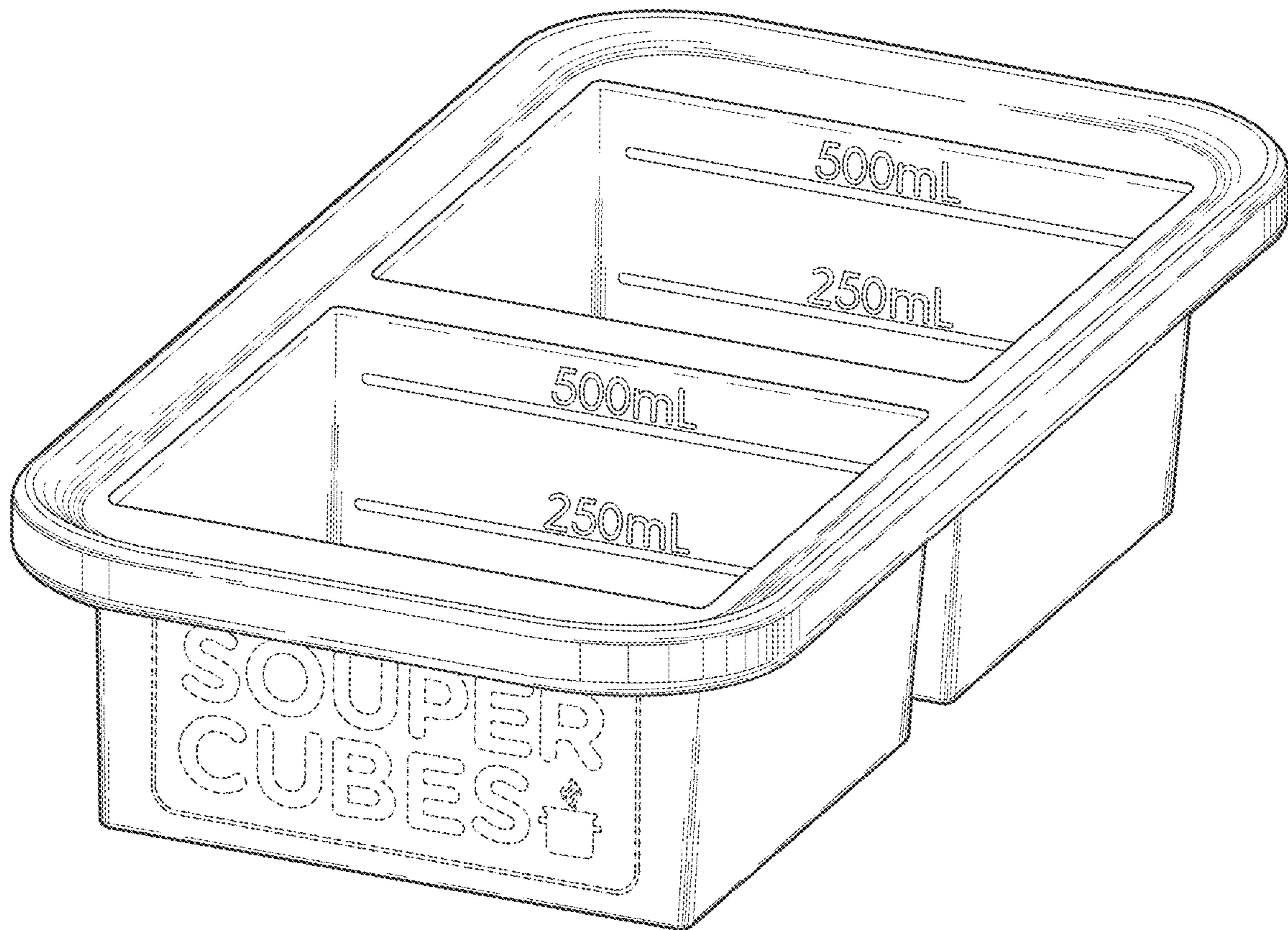


Fig.9

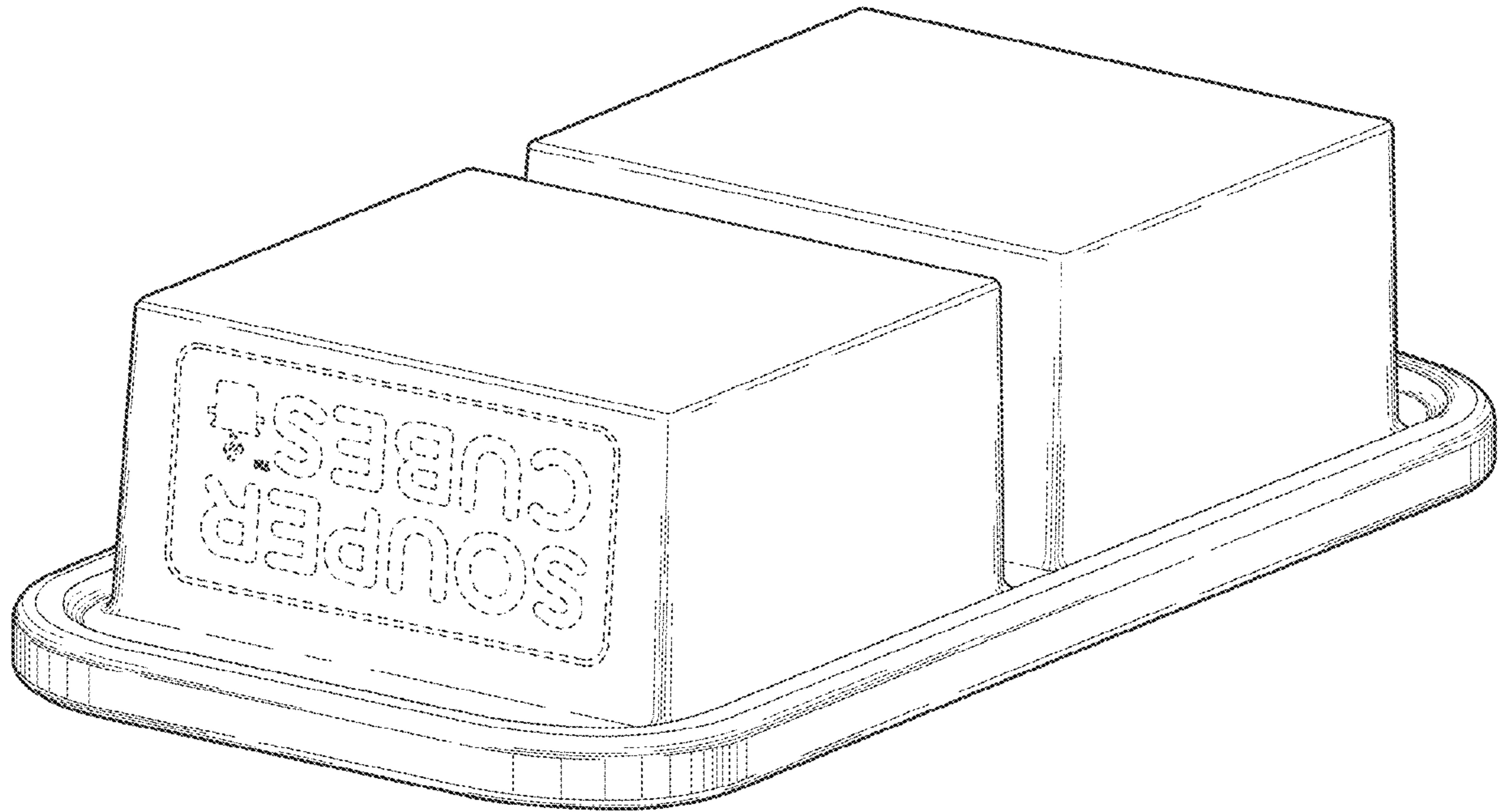


Fig. 10

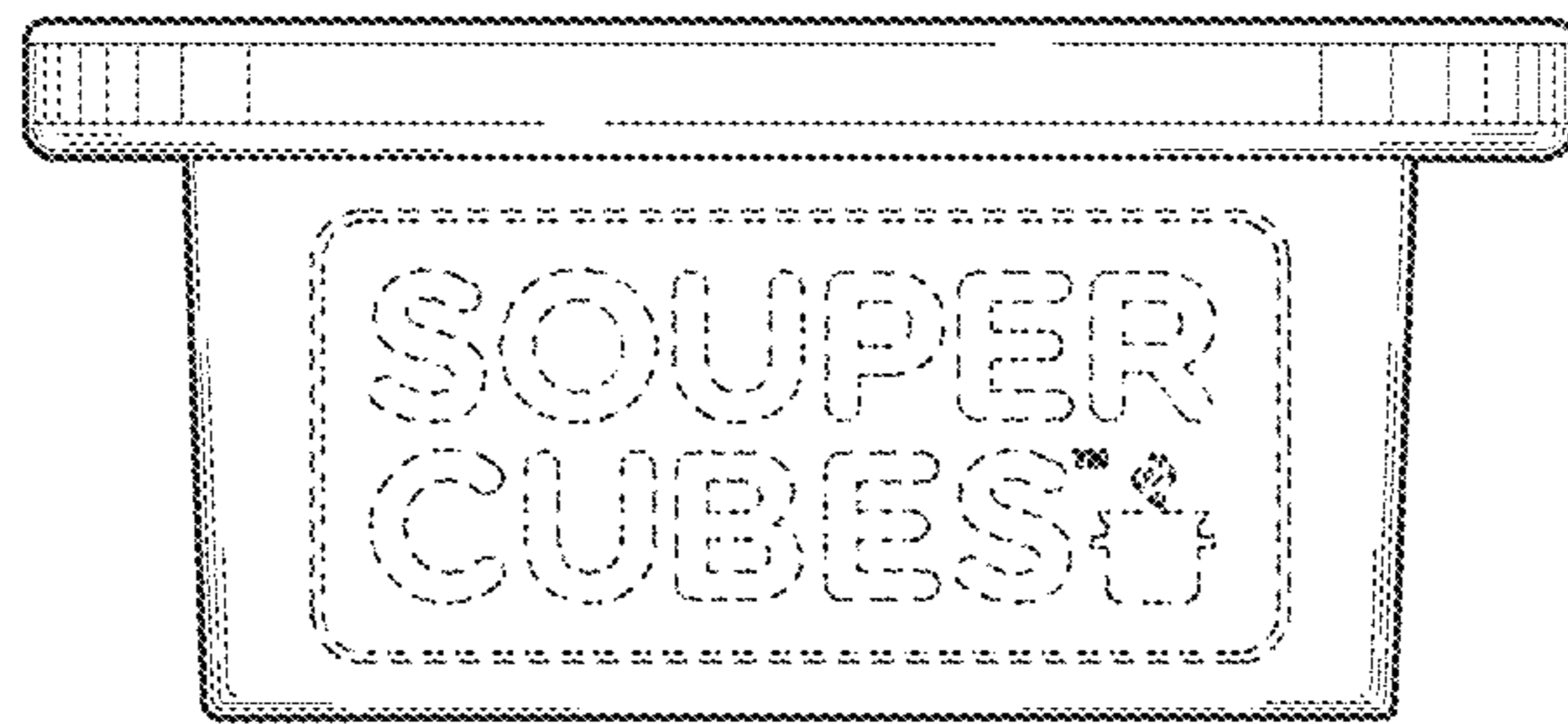


Fig. 11

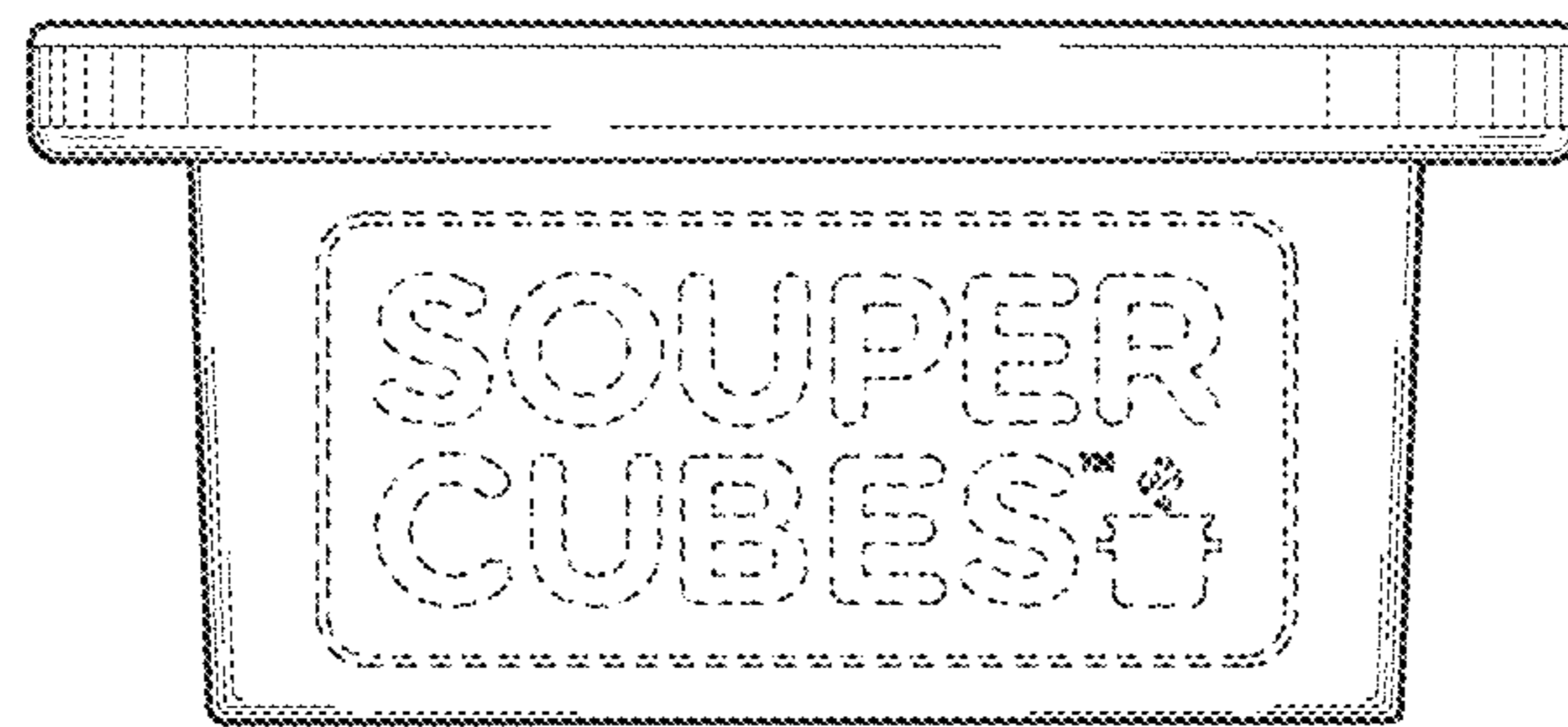


Fig. 12

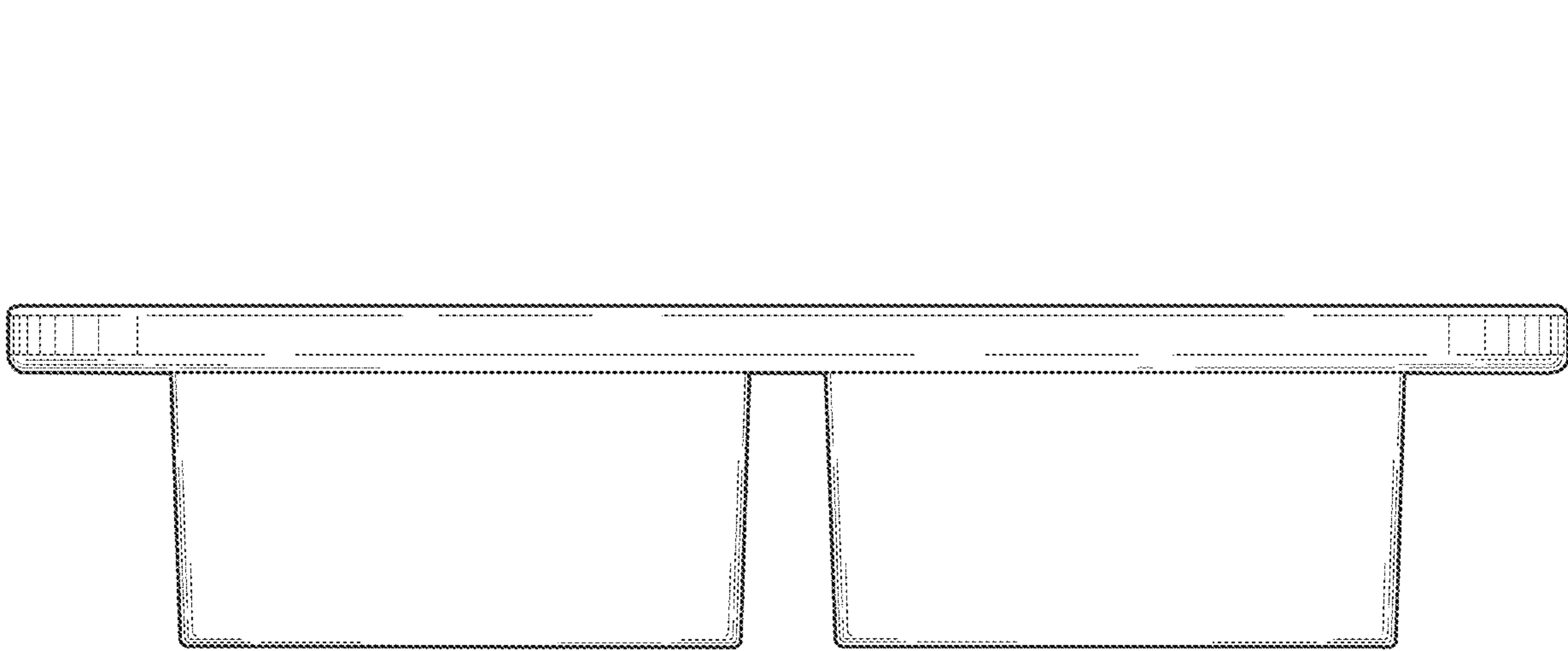


Fig. 13

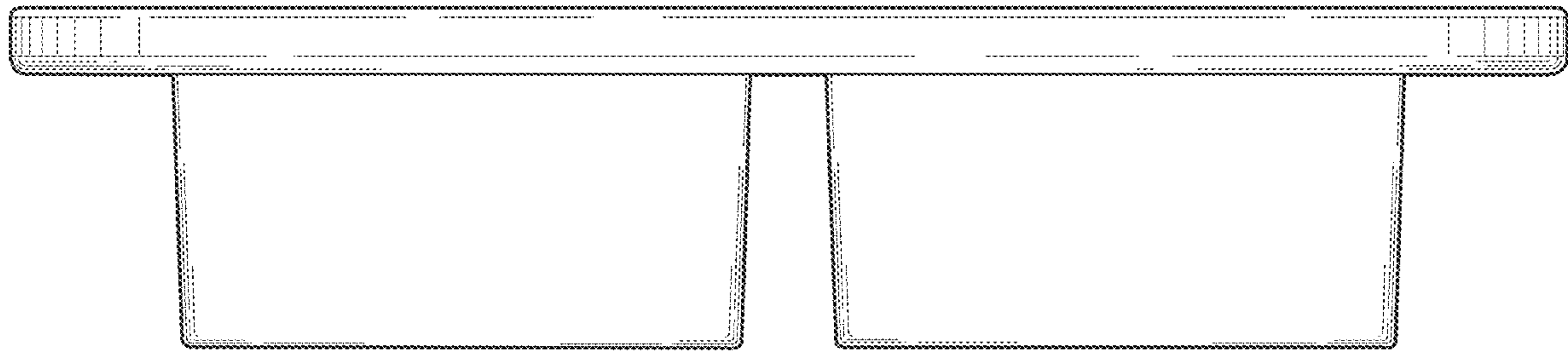


Fig.14

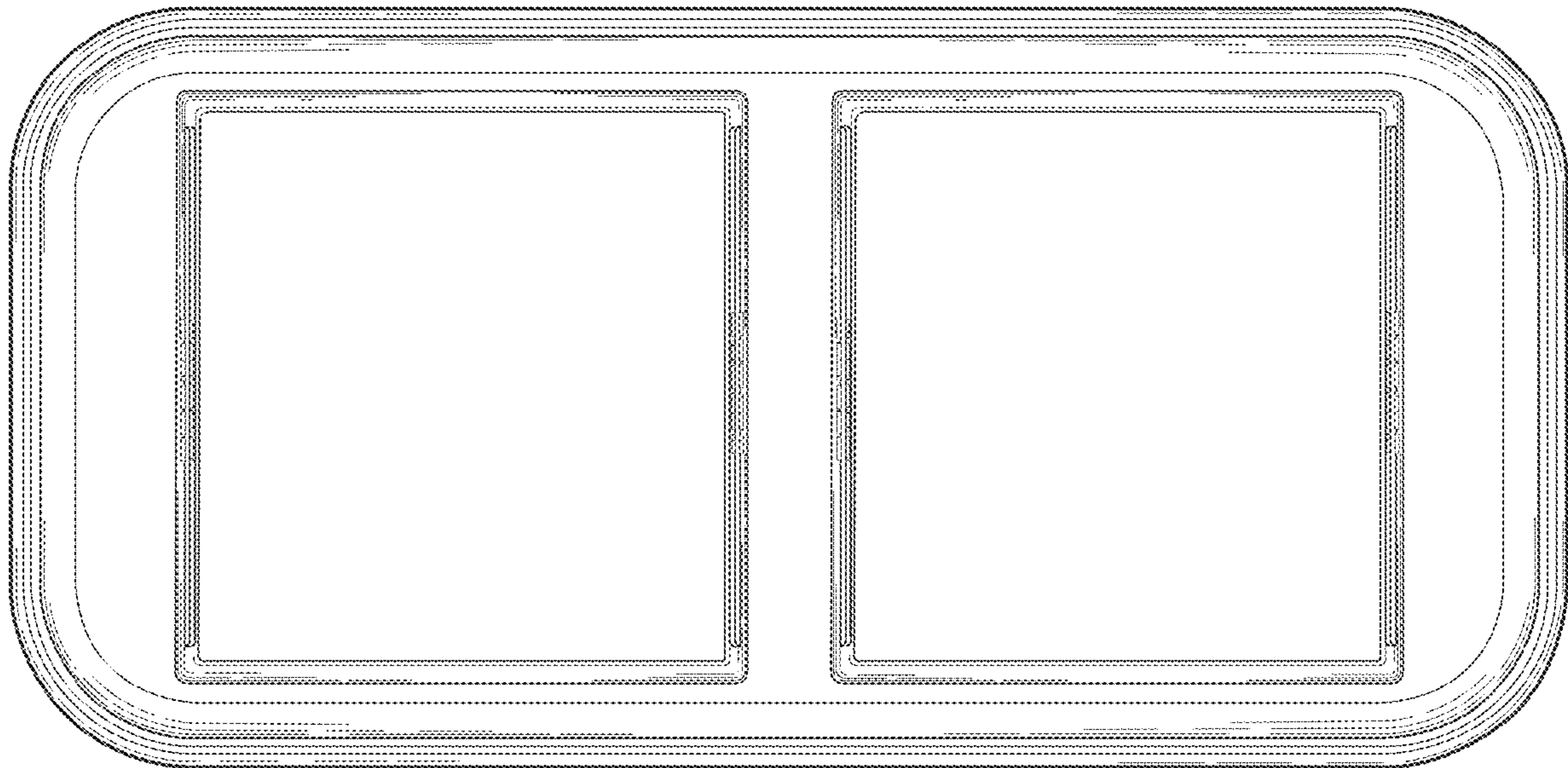


Fig. 15

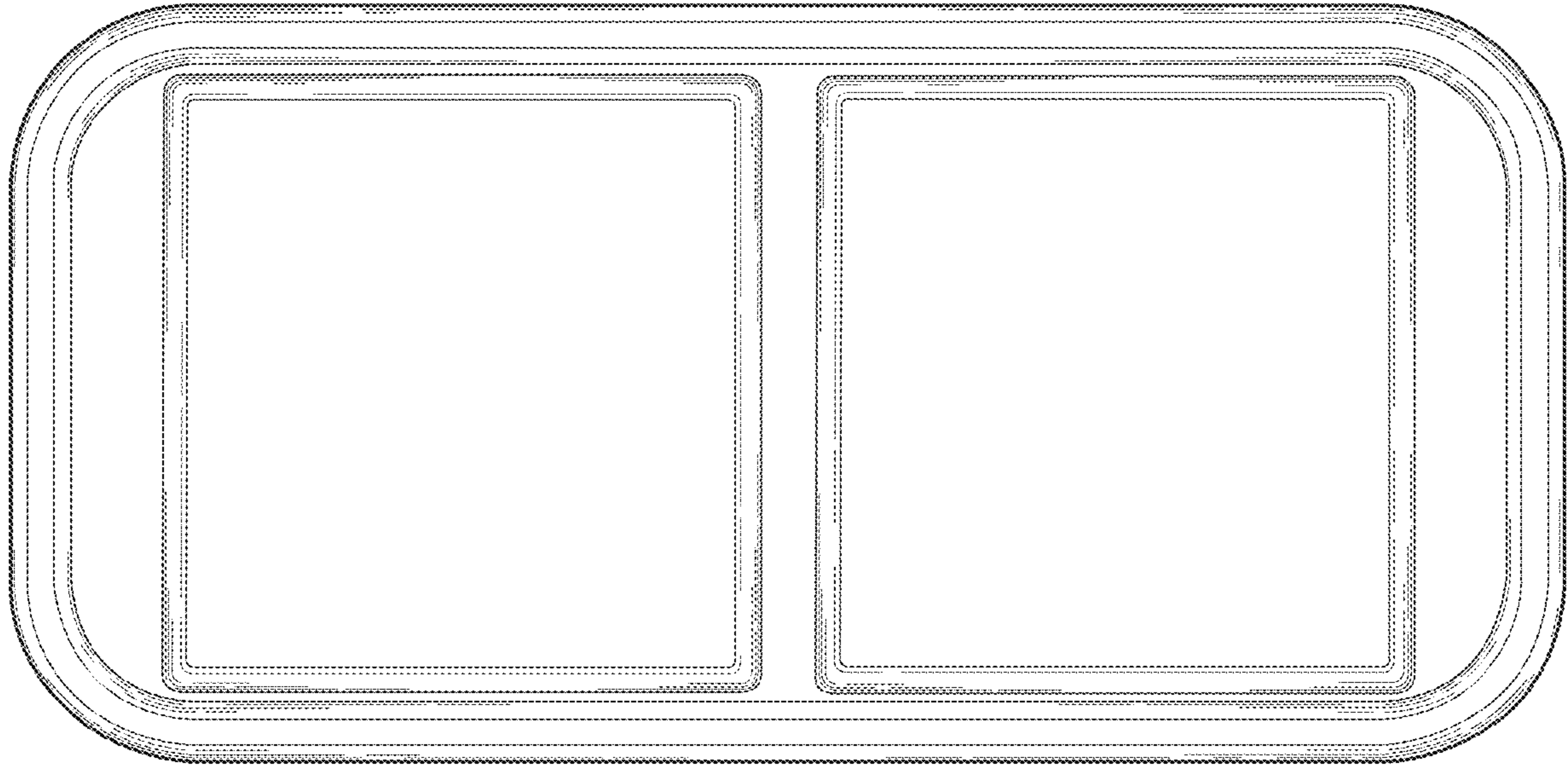


Fig. 16

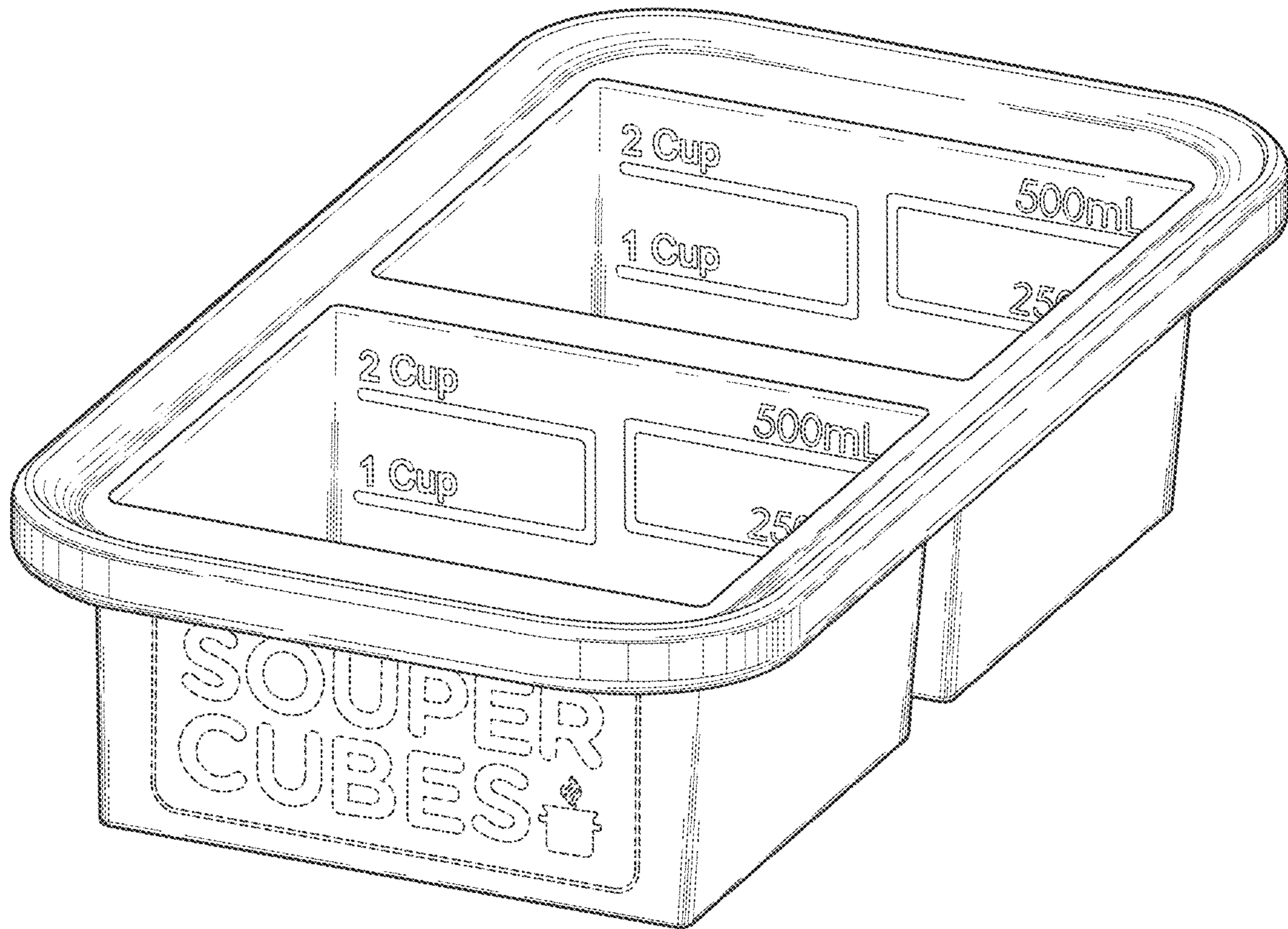


Fig. 17

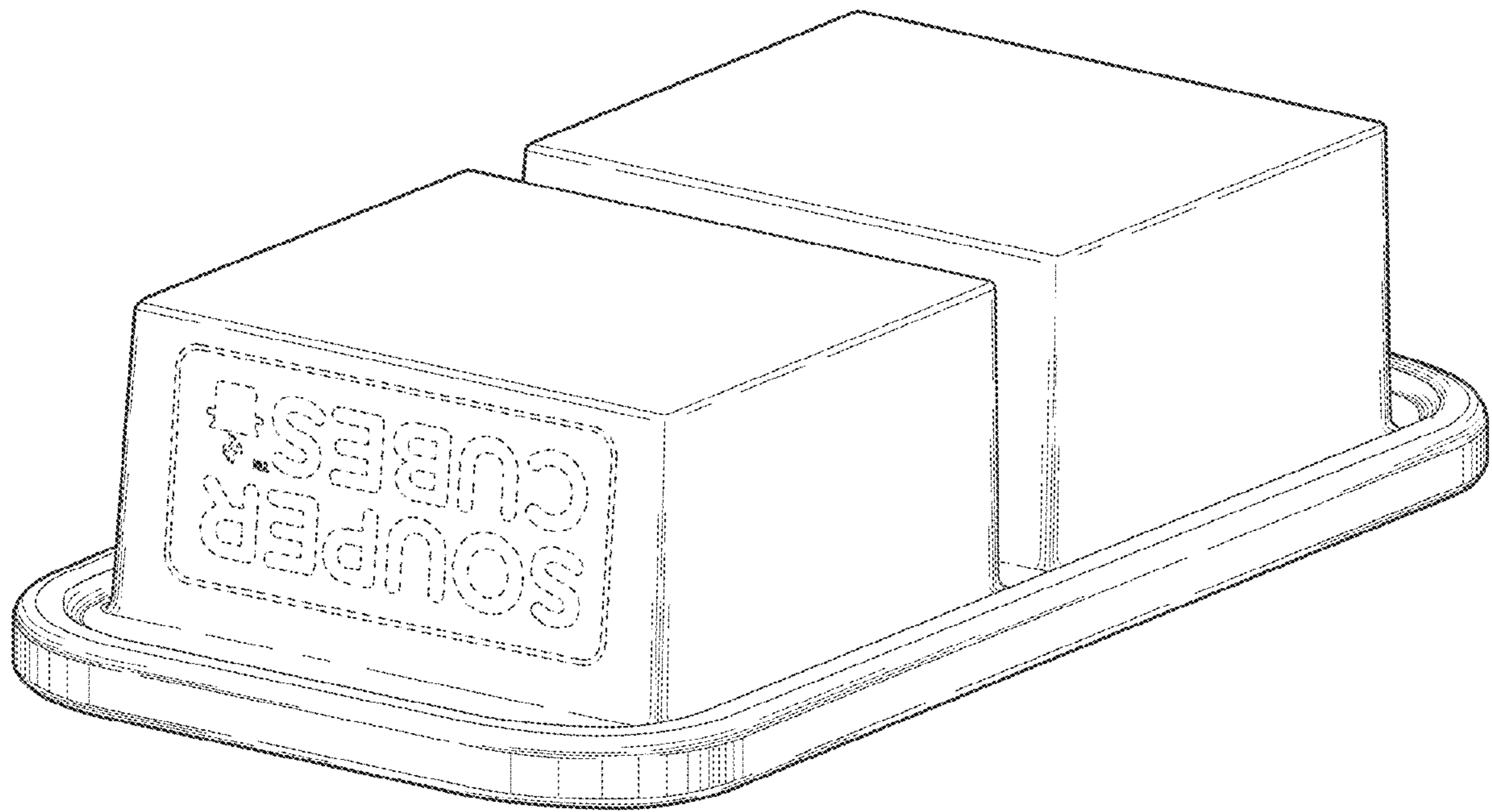


Fig. 18

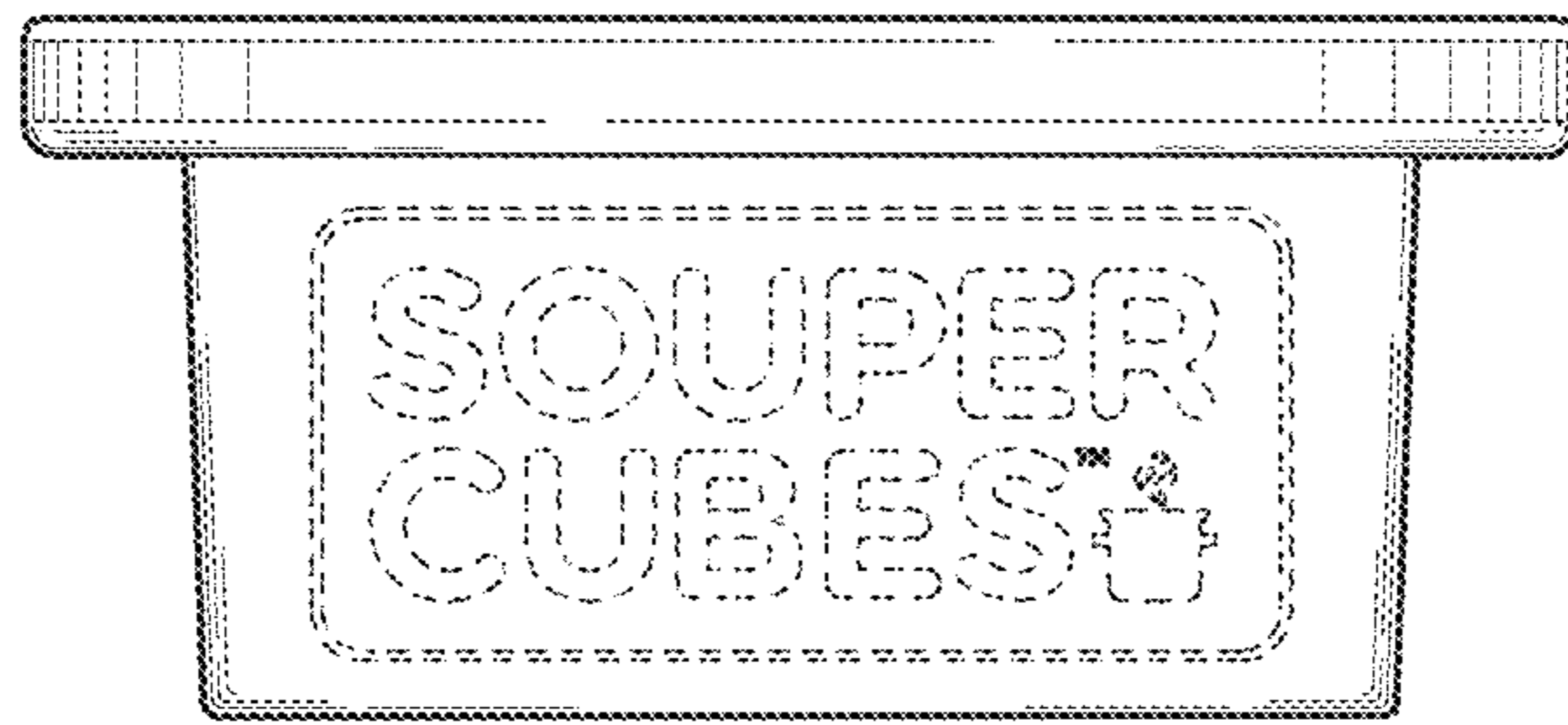


Fig. 19

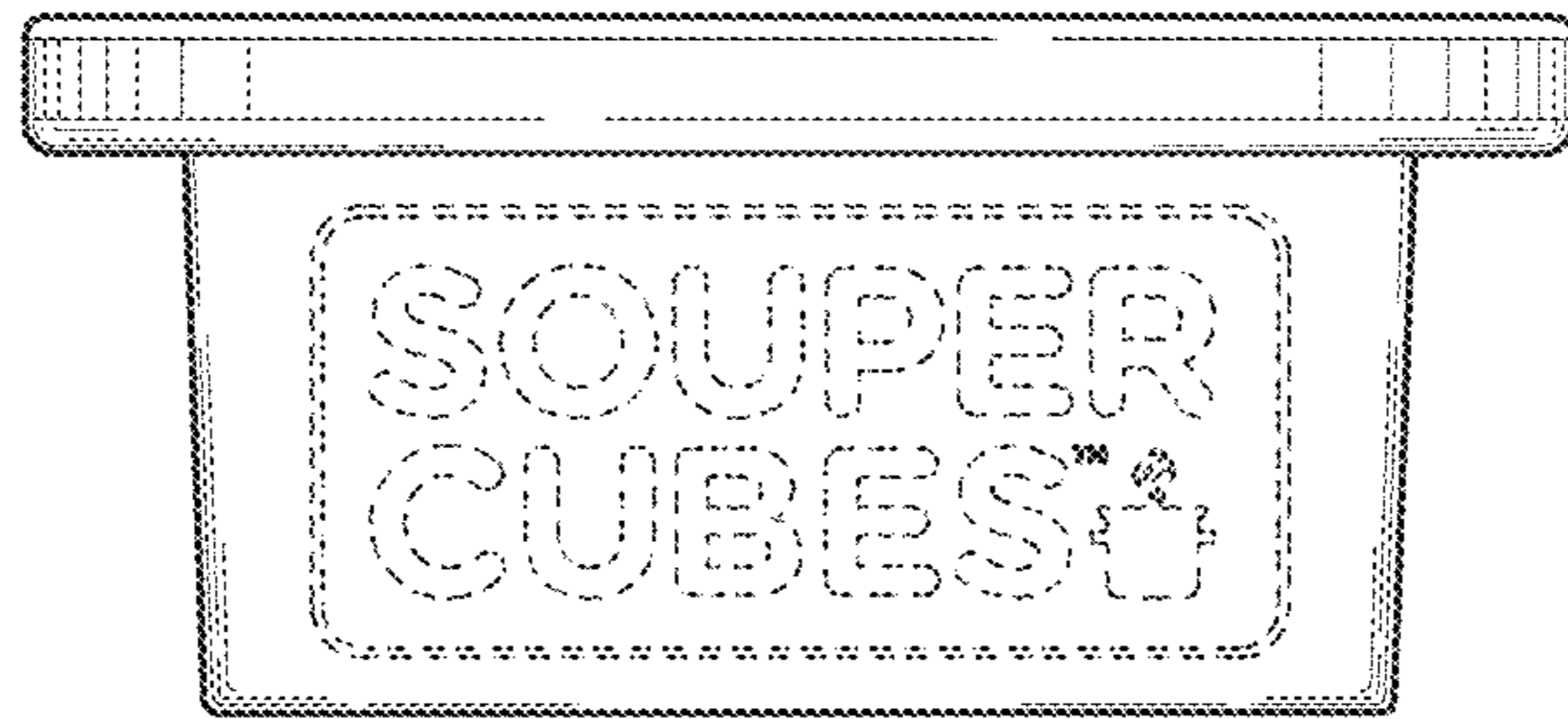


Fig.20

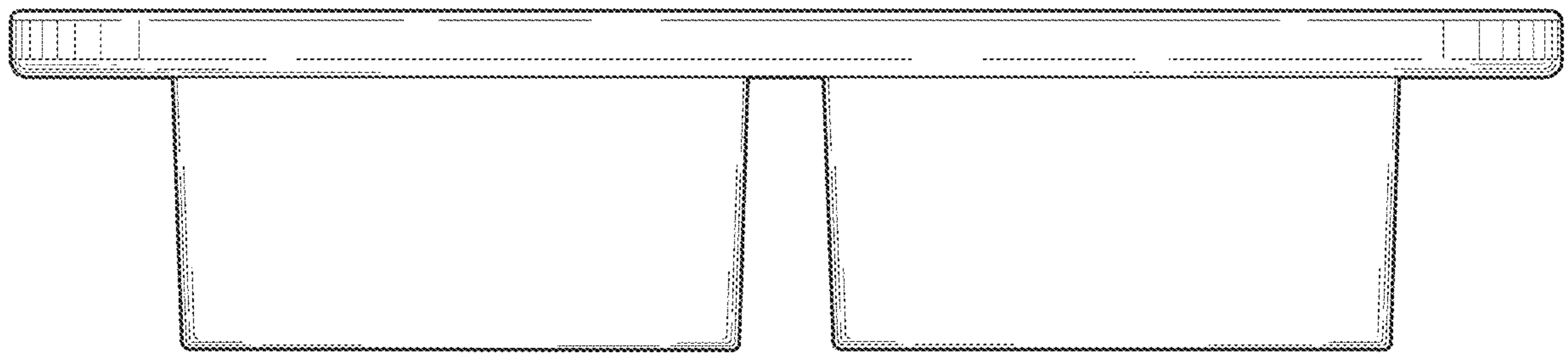


Fig.21

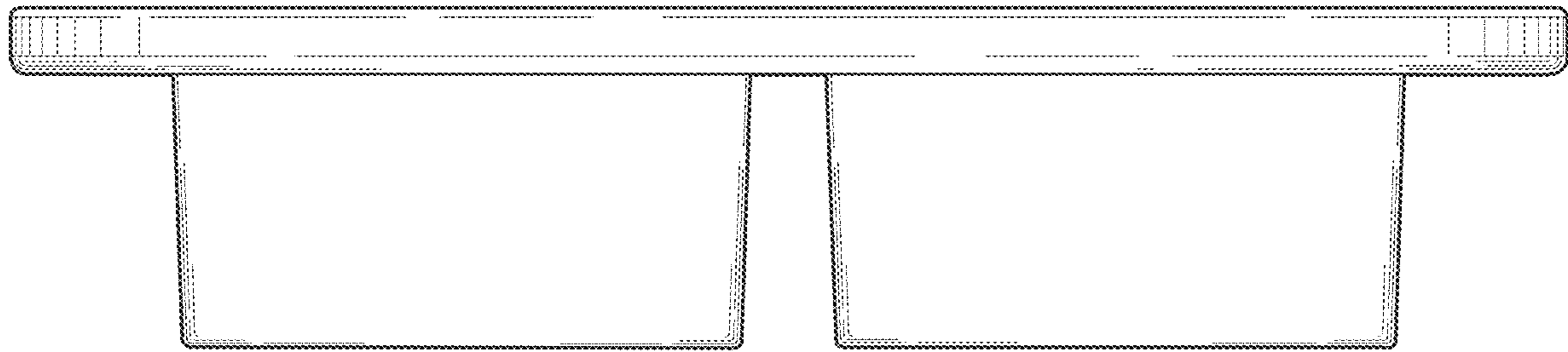


Fig.22

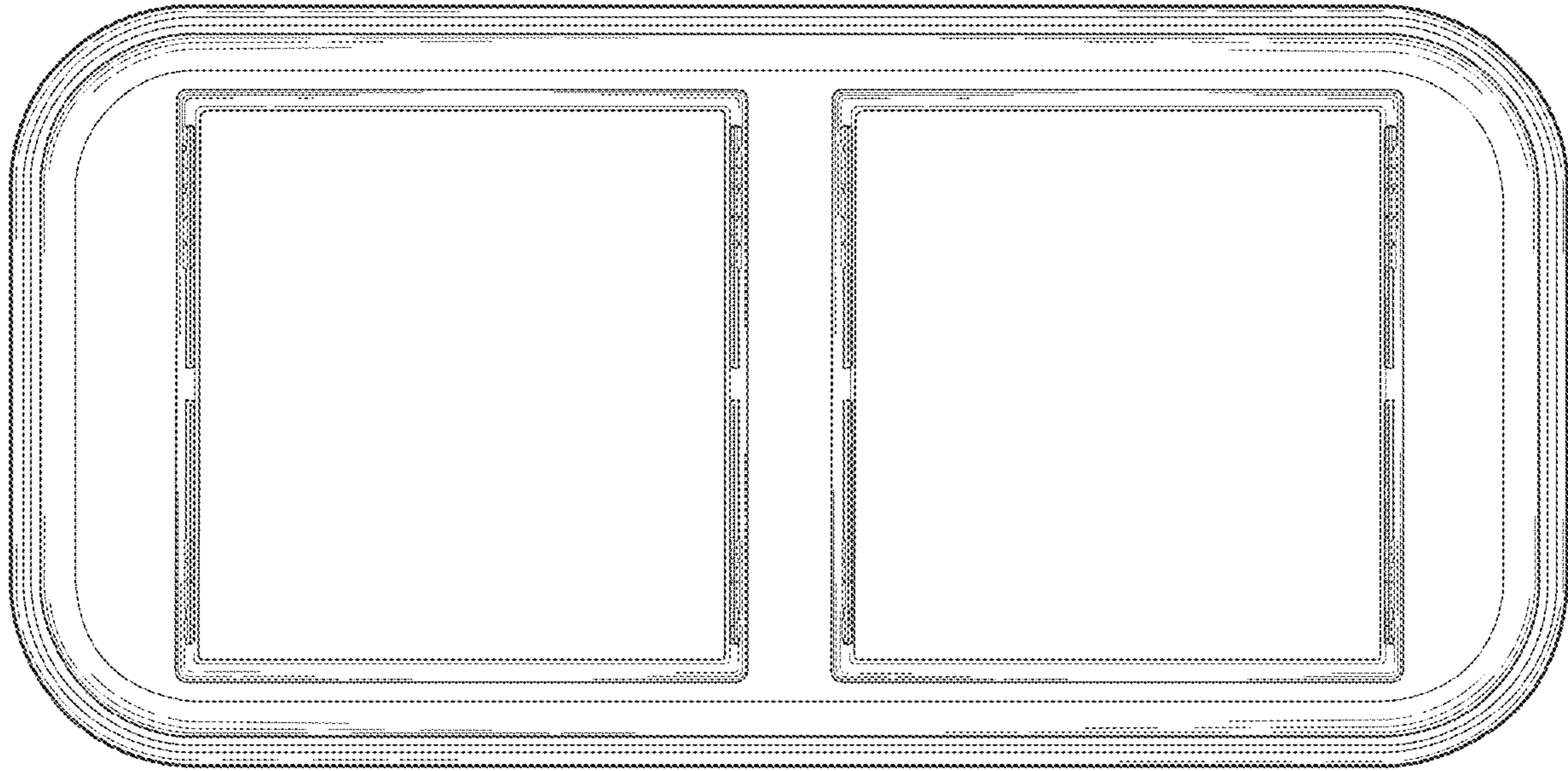


Fig.23

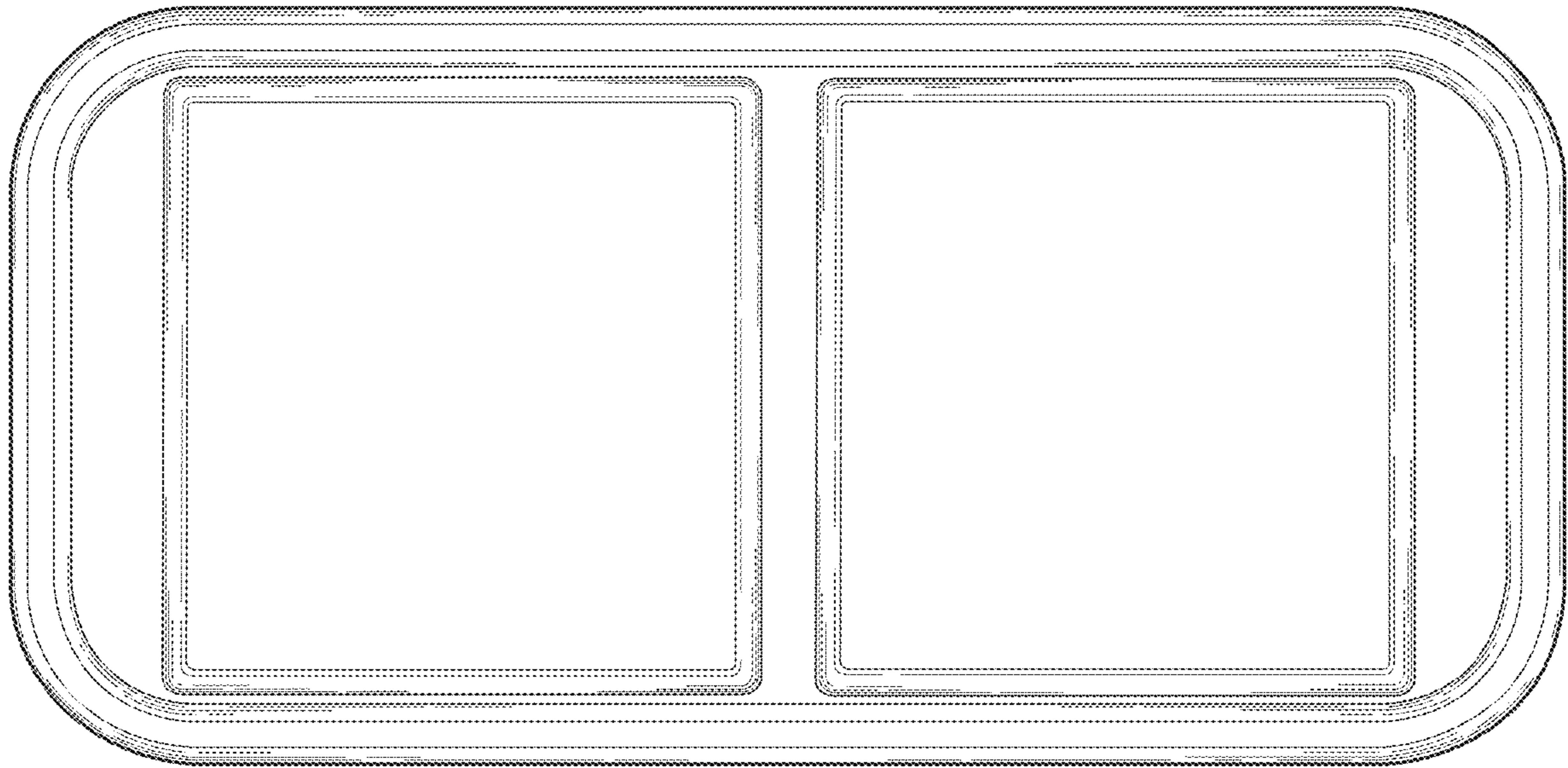


Fig.24