



US00D905132S

(12) **United States Design Patent** (10) **Patent No.:** **US D905,132 S**  
**Dai** (45) **Date of Patent:** **\*\* \*Dec. 15, 2020**

(54) **ICE BOX**

(71) Applicant: **Shenzhen Dezhongxing Technology Co., Ltd.**, Shenzhen (CN)

(72) Inventor: **Pinling Dai**, Shenzhen (CN)

(\*) Notice: This patent is subject to a terminal disclaimer.

(\*\*) Term: **15 Years**

(21) Appl. No.: **29/658,605**

(22) Filed: **Aug. 1, 2018**

(51) **LOC (12) Cl.** ..... **15-07**

(52) **U.S. Cl.**  
USPC ..... **D15/90**

(58) **Field of Classification Search**

USPC ..... D15/79-91  
CPC .... F25D 27/00; F25D 2323/021; F25D 23/00; F25D 23/02; F25D 2400/361; F25D 2500/06; F25D 25/025; F25D 29/00; F25D 29/005; F25D 11/00; F25D 17/062; F25D 17/067; F25D 17/08; F25D 21/04; F25D 2201/10; F25D 2300/00; F25D 2325/021; F25D 23/062; F25D 23/12; F25D 2400/02; F25D 2400/40; F25D 25/02; F25D 25/024; F25D 2600/00; F25D 2700/00; F25D 2700/02; F25D 2700/06; F25D 2700/08; F25D 2700/16; F25D 23/021; F25D 11/022; F25D 17/065; F25D 23/028; F25D 23/067; F25D 11/02; F25D 11/025; F25D 17/042; F25D 23/04; F25D 23/10; F25D 25/04; F25D 15/00; F25D 17/045; F25D 2400/36; F25D 17/02; F25D 2317/043; F25D 23/003; F25D 23/065; F25D 2700/123; F25D 2317/061; F25D 23/069; F25D 23/087; F25D 11/006; F25D 11/027

See application file for complete search history.

(56) **References Cited**

U.S. PATENT DOCUMENTS

D711,439 S *	8/2014	Garg	.....	D15/90
D711,945 S *	8/2014	Garg	.....	D15/90
D712,442 S *	9/2014	Garg	.....	D15/90
D741,920 S *	10/2015	Seiders	.....	D15/90
D746,343 S *	12/2015	Mount	.....	D15/90
D788,192 S *	5/2017	Seiders	.....	D15/90
D788,829 S *	6/2017	Seiders	.....	D15/90

(Continued)

*Primary Examiner* — Khawaja Anwar

(74) *Attorney, Agent, or Firm* — Erson IP (Nelson IP)

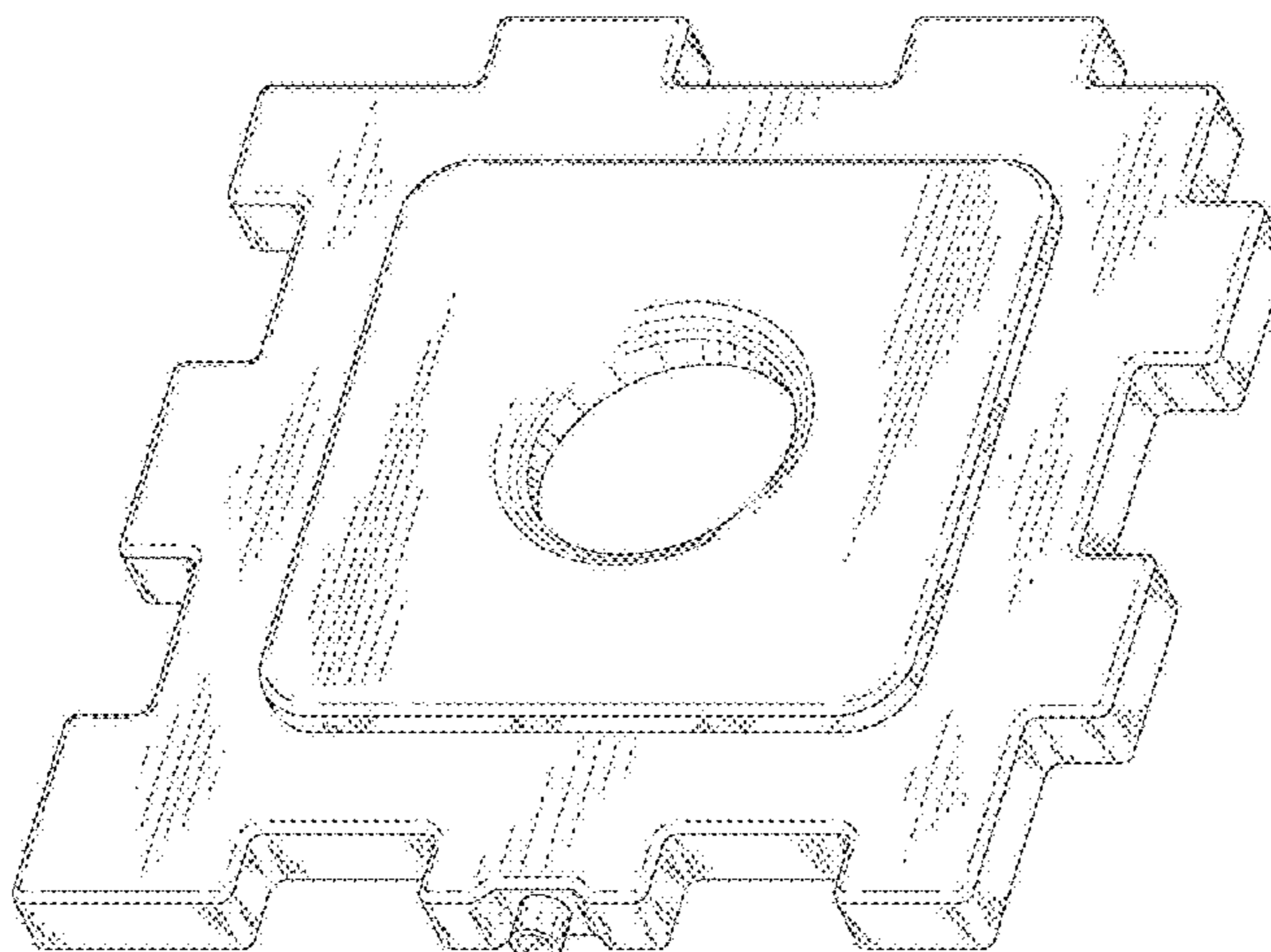
(57) **CLAIM**

The ornamental design for an ice box, as shown and described.

**DESCRIPTION**

FIG. 1 is a perspective view of an ice box showing my new design;  
FIG. 2 is a front view thereof;  
FIG. 3 is a rear view thereof;  
FIG. 4 is a left side view thereof;  
FIG. 5 is a right side view thereof;  
FIG. 6 is a top plan view thereof;  
FIG. 7 is a bottom plan view thereof.  
FIG. 8 is a perspective view of the ice box in a state before refrigerating fluid is injected;  
FIG. 9 is a perspective view of the ice box in a state after the refrigerating fluid is injected;  
FIG. 10 is a perspective view showing six ice boxes assembled together in a closed state;  
FIG. 11 is a perspective view showing six ice boxes assembled together in an open state;  
FIG. 12 is a perspective view showing ten ice boxes assembled together in a closed state; and,  
FIG. 13 is a perspective view showing ten ice boxes assembled together in an open state.

(Continued)



The broken lines showing the ice box are for the purposes of illustrating environment and forms no part of the claimed design.

**1 Claim, 13 Drawing Sheets**

(56)

**References Cited**

U.S. PATENT DOCUMENTS

D791,201 S	*	7/2017	Kim .....	D15/90
D803,066 S	*	11/2017	Rudolf .....	D9/569
D804,543 S	*	12/2017	Carvajal .....	D15/90

\* cited by examiner

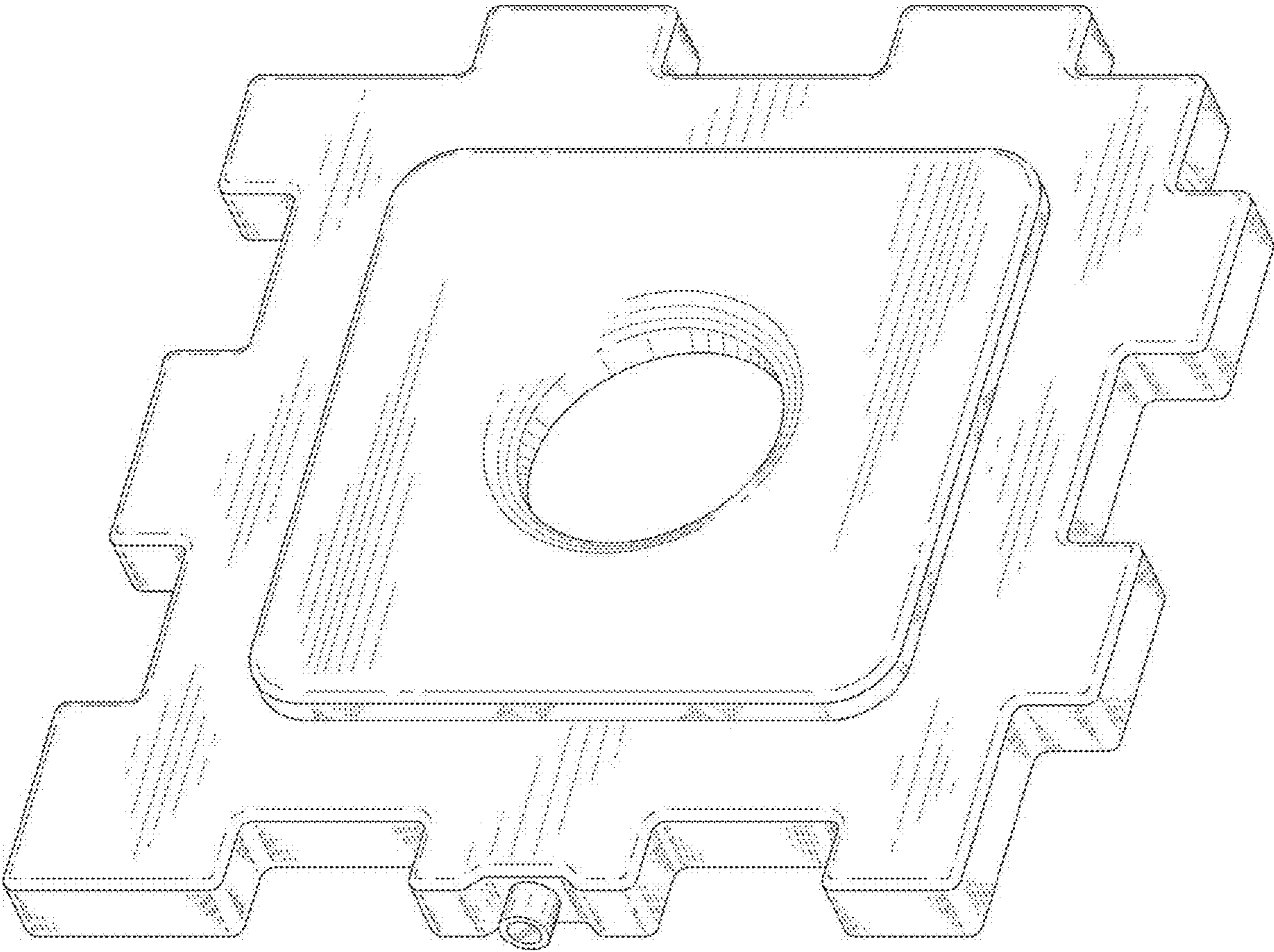


Fig. 1

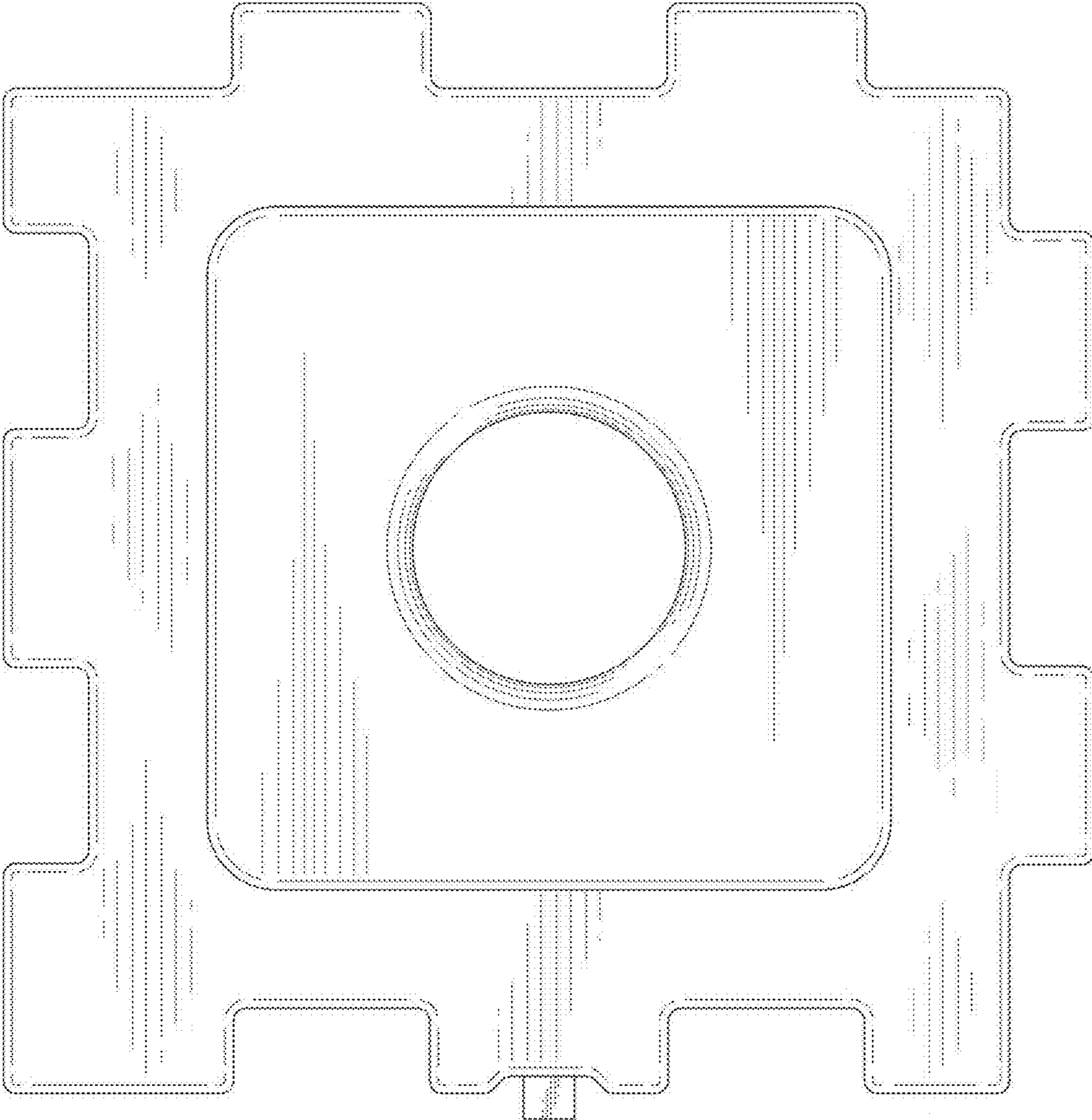
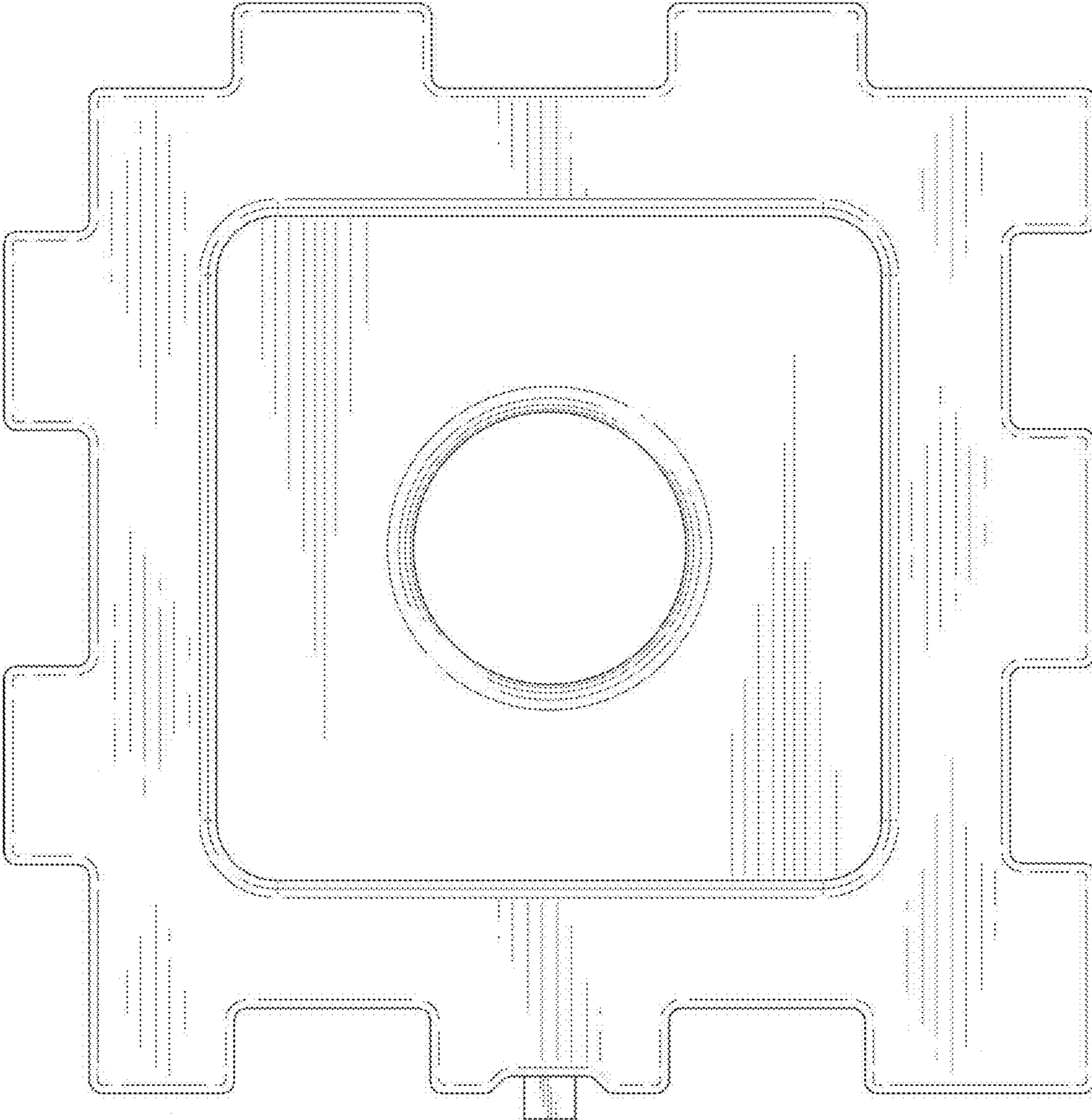


Fig. 2



**Fig. 3**

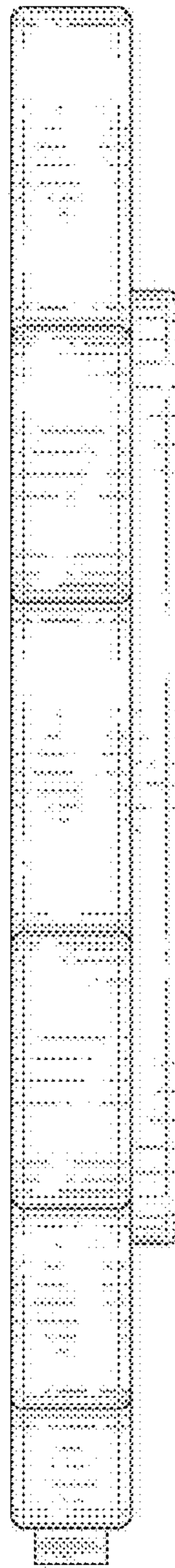


Fig. 4

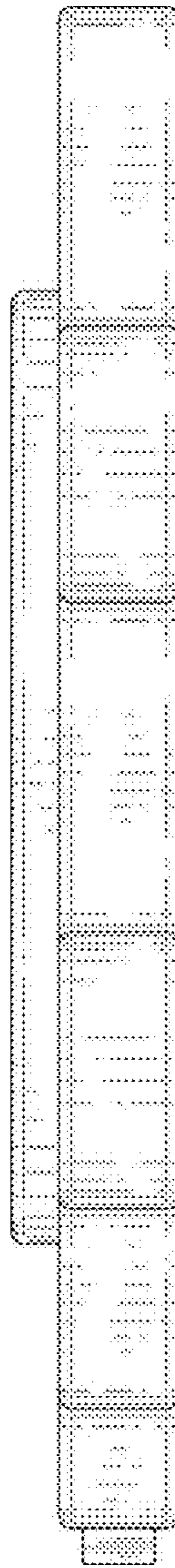
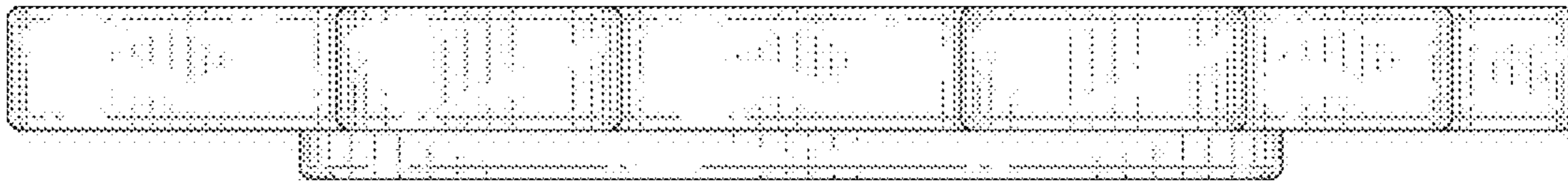
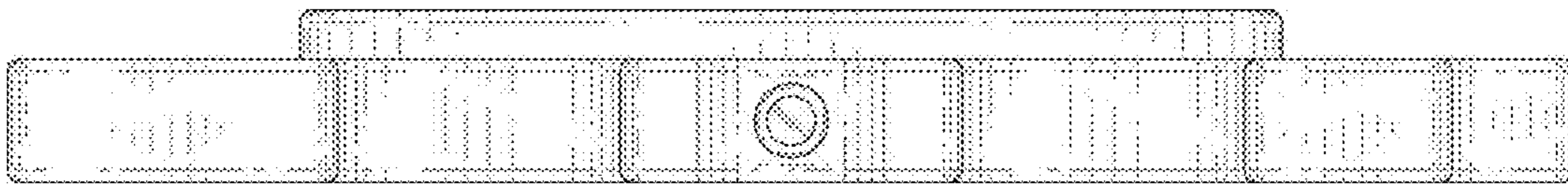


Fig. 5



**Fig. 6**





**Fig. 7**

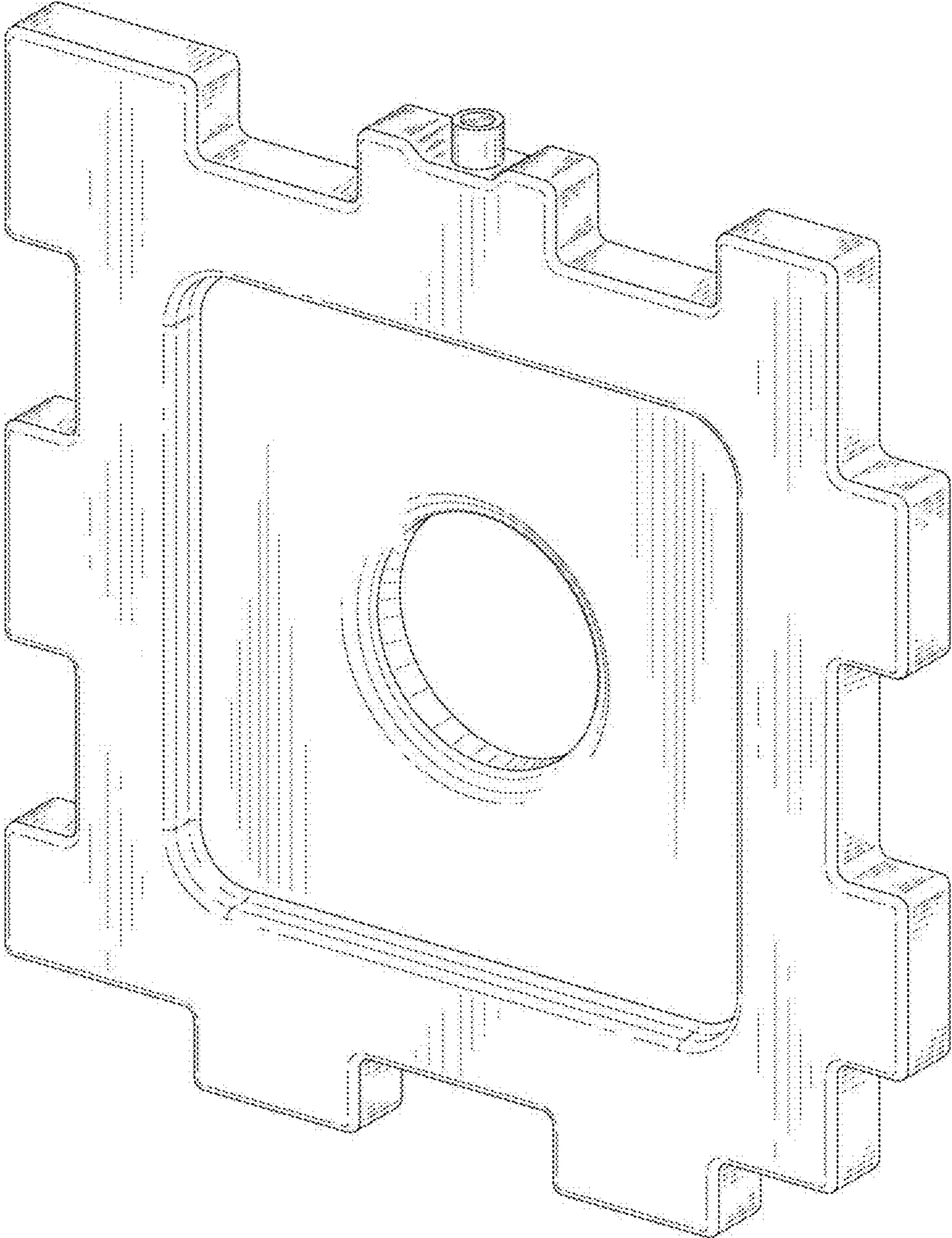


Fig. 8

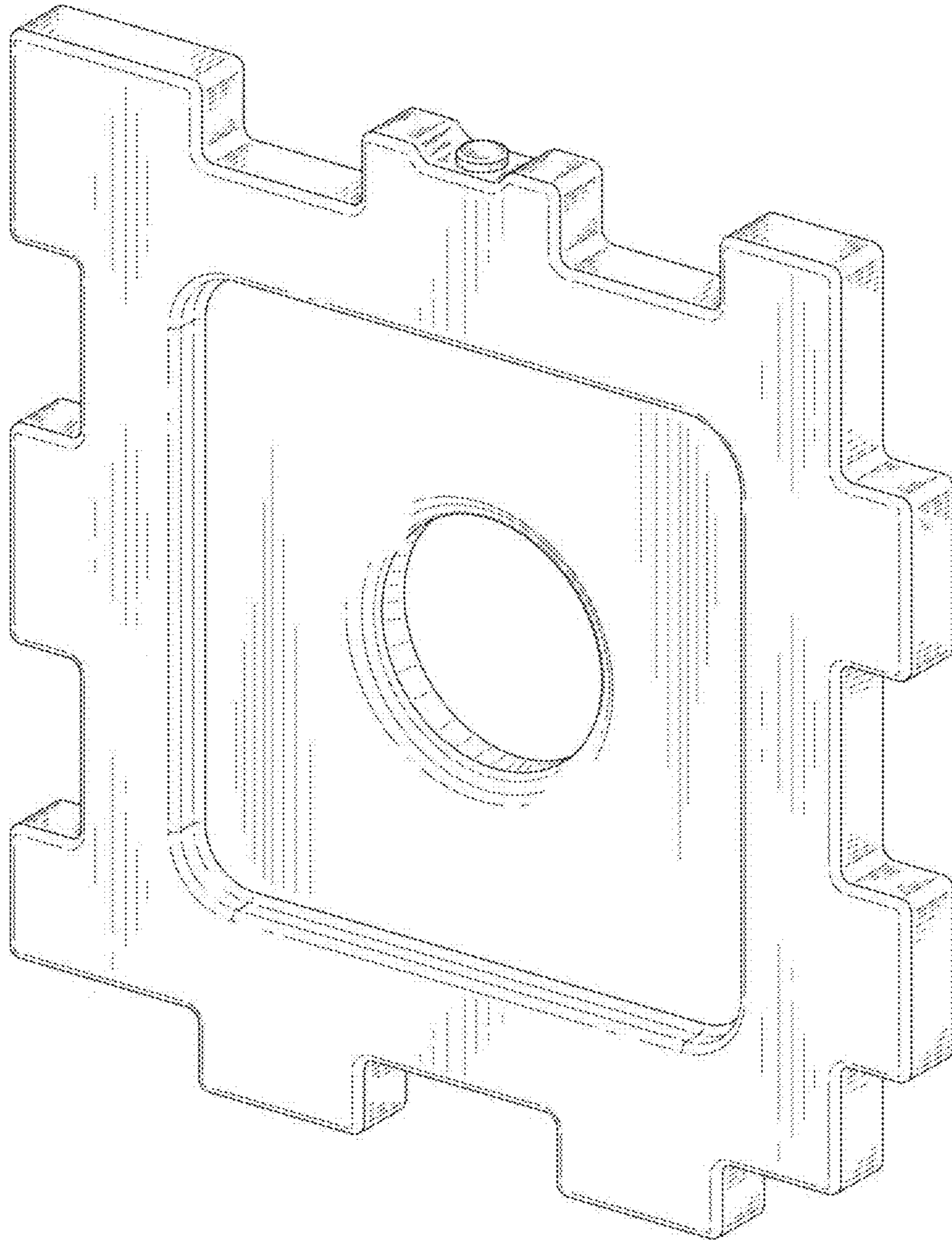


Fig. 9

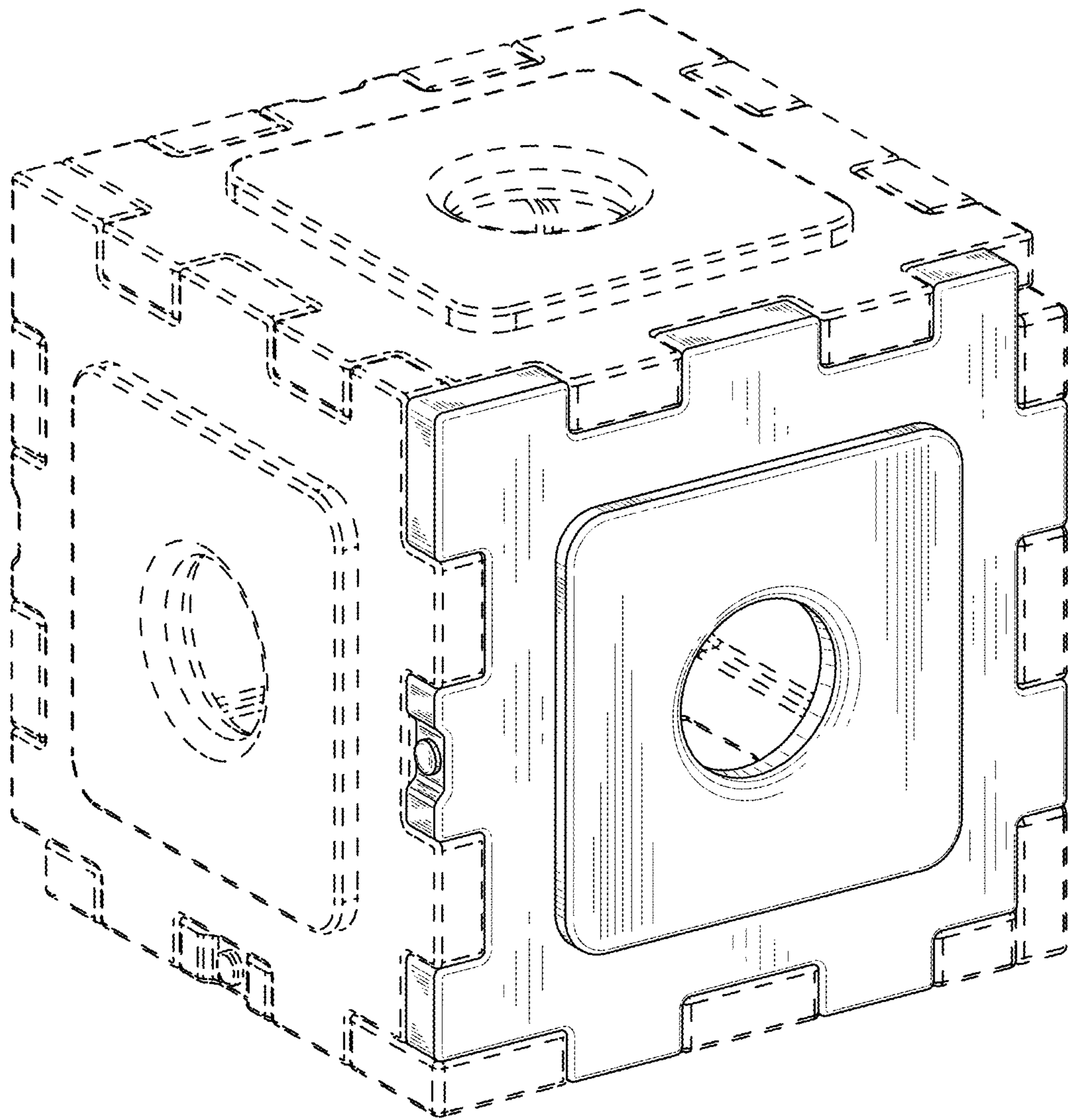


Fig. 10

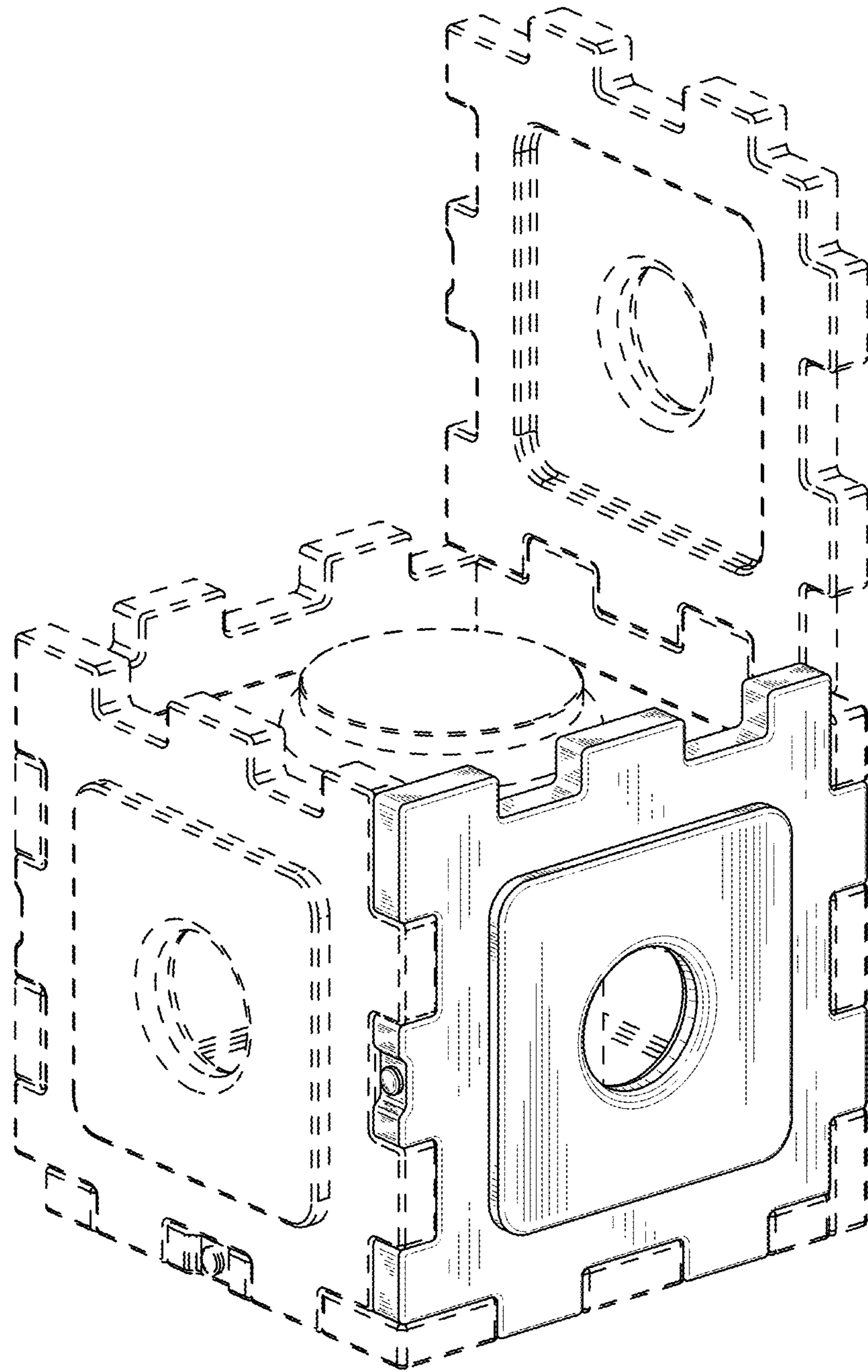


Fig. 11

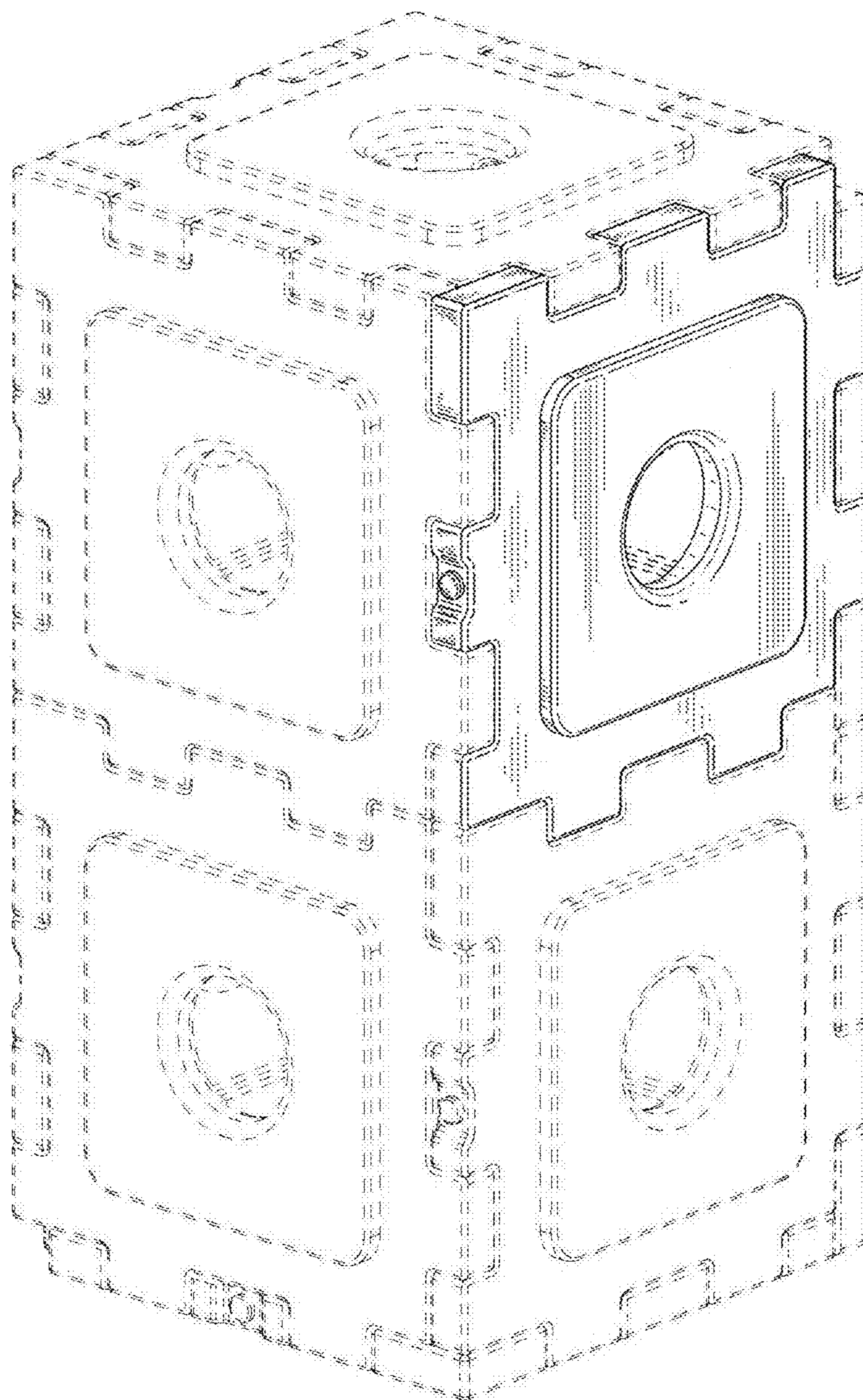


Fig. 12

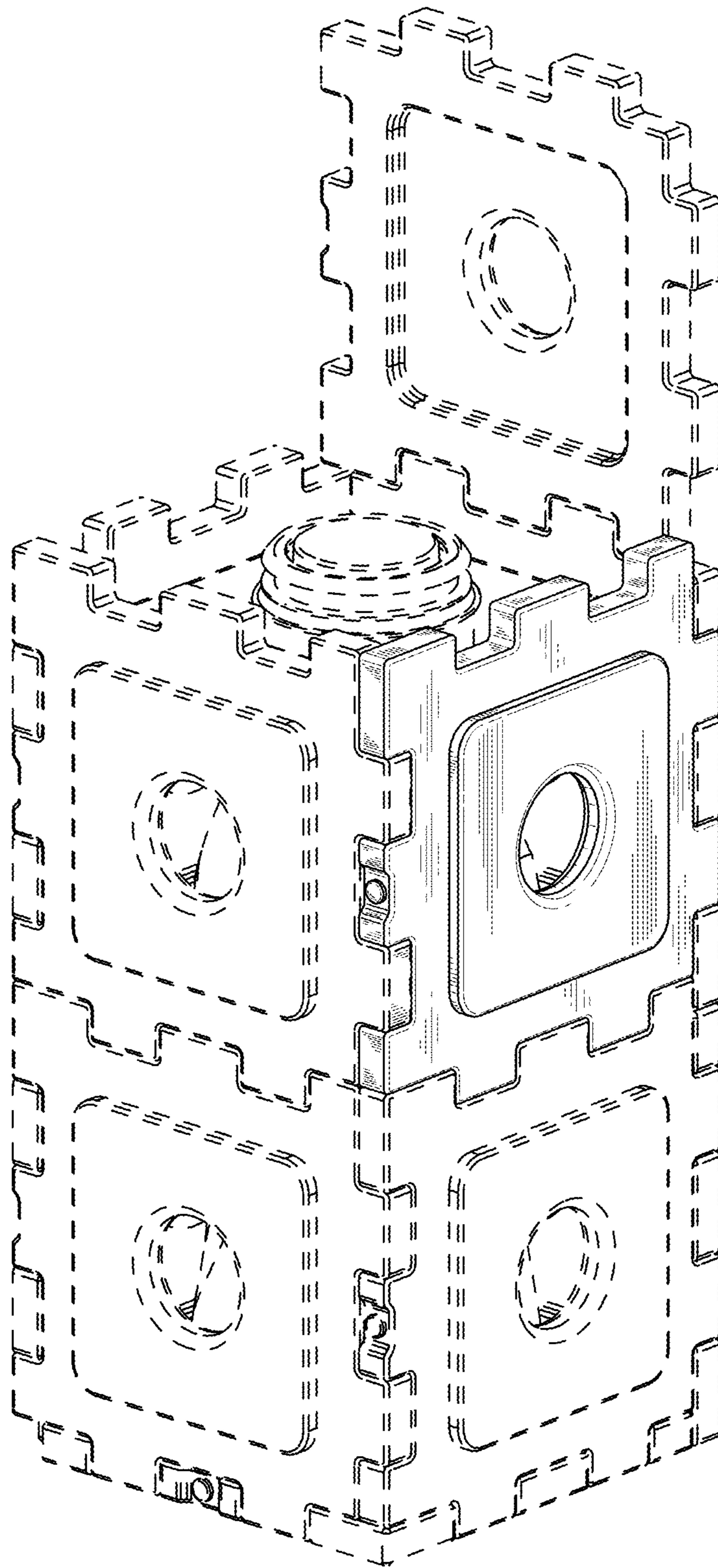


Fig. 13